



US00D811995S

(12) **United States Design Patent**
Horikoshi et al.

(10) **Patent No.:** **US D811,995 S**
(45) **Date of Patent:** **** Mar. 6, 2018**

(54) **BATTERY**

FOREIGN PATENT DOCUMENTS

(71) Applicant: **Sony Corporation**, Tokyo (JP)

CN 301319215 S 8/2010
JP D1030882-001 S 2/1999

(72) Inventors: **Yoshiichi Horikoshi**, Fukushima (JP);
Katsushige Kanno, Fukushima (JP);
Yusuke Tanji, Fukushima (JP); **Kenta Honda**, Fukushima (JP); **Tsukasa Takahashi**, Fukushima (JP); **Masayuki Kageyama**, Fukushima (JP)

(Continued)

OTHER PUBLICATIONS

(73) Assignee: **Murata Manufacturing Co., Ltd.**,
Kyoto (JP)

Website, [gmbattery.com](http://www.gmbattery.com), "CP 3.0V Battery—CP Cylindrical Battery", http://www.gmbattery.com/product/CP_bettery-en.html (<http://www.bmbattery.com/product/showproduct/php?lang=en&id=49>), Updated Jan. 27, 2016, GMB Co., Ltd., China.

(Continued)

(**) Term: **15 Years**

Primary Examiner — Eric L Goodman

(21) Appl. No.: **29/558,870**

Assistant Examiner — Sanjeev Paul

(22) Filed: **Mar. 22, 2016**

(74) *Attorney, Agent, or Firm* — Michael Best & Friedrich LLP

Related U.S. Application Data

(63) Continuation-in-part of application No. 29/490,609, filed on May 12, 2014, now abandoned.

(57) **CLAIM**

The ornamental design for a battery, as shown and described.

Foreign Application Priority Data

Dec. 13, 2013 (JP) D2013-029384

(51) **LOC (11) Cl.** **13-02**

(52) **U.S. Cl.**

USPC **D13/103**

(58) **Field of Classification Search**

USPC D13/102–110, 118–119, 184, 199;
D14/356, 432, 251, 253, 434;
320/107–115, 135, 138, 140, 103–105

(Continued)

DESCRIPTION

FIG. 1 is a first perspective view of a battery showing our new design;

FIG. 2 is a second perspective view thereof;

FIG. 3 is a third perspective view thereof;

FIG. 4 is a fourth perspective view thereof;

FIG. 5 is a front elevational view thereof;

FIG. 6 is a rear elevational view thereof;

FIG. 7 is a left side elevational view thereof;

FIG. 8 is a right side elevational view thereof;

FIG. 9 is a top plan view thereof; and,

FIG. 10 is a bottom plan view thereof.

The broken lines illustrating the unclaimed portions of the battery form no part of the claimed design. Dot-dash broken lines define the boundaries of, but not included in, the claimed design.

(56) **References Cited**

U.S. PATENT DOCUMENTS

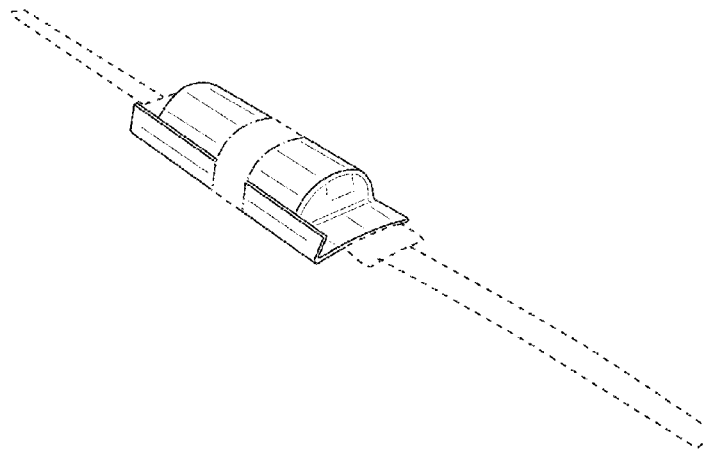
D252,825 S * 9/1979 Lauri D27/160

5,022,882 A * 6/1991 White H01J 9/38

445/21

(Continued)

1 Claim, 7 Drawing Sheets



(58) **Field of Classification Search**

CPC Y02E 60/12; Y02E 60/122; Y02E 60/124;
 Y02E 60/50; H01M 2/02; H01M 2/022;
 H01M 2/0202; H01M 2/0207; H01M
 2/0212; H01M 2/1061; H01M 2/1022;
 H01M 2/1055; H01M 2/1066; H01M
 2/105; H01M 2/204; H01M 2/20; H01M
 2/202; H01M 2/206; H01M 10/4257;
 H01M 10/0436; H01M 10/48; H01M
 10/44; H01M 10/46; H01M 10/465;
 H01M 10/482; H01M 2200/30; H01M
 2250/30; H01M 2250/40; H02J 7/00;
 H02J 7/0003; H02J 7/0011; H02J 7/0013;
 H02J 7/0054; H02J 7/0055; H02J 7/0057;
 H02J 2007/0062

See application file for complete search history.

(56) **References Cited**

U.S. PATENT DOCUMENTS

5,449,567 A * 9/1995 Yeh H01M 10/46
 320/111
 D376,579 S * 12/1996 Bunyea D13/103
 D406,561 S * 3/1999 Goto D13/103
 D413,858 S 9/1999 Murakami et al.
 D427,142 S * 6/2000 Luh D13/103
 D427,964 S 7/2000 Smith et al.
 D428,385 S * 7/2000 Luh D13/103
 D428,596 S * 7/2000 Birkestrand D13/107
 D456,353 S * 4/2002 Shown D13/110
 D479,192 S 9/2003 Fujihara et al.
 D479,193 S 9/2003 Fujihara et al.
 D481,994 S 11/2003 Fujihara et al.
 D483,325 S 12/2003 Fujihara et al.
 6,676,277 B1 * 1/2004 Gordin F21V 23/06
 313/51
 D498,327 S * 11/2004 Cohen Harel D27/154
 D539,216 S * 3/2007 Hamaguchi D13/103
 D542,238 S 5/2007 Nohara et al.
 D543,350 S * 5/2007 Sanderson D3/201
 D546,279 S * 7/2007 Shimizu D13/103

D574,768 S * 8/2008 Witte D13/103
 D577,333 S * 9/2008 Daniel D13/103
 D588,579 S * 3/2009 Ross D14/217
 D591,232 S * 4/2009 Zhuang D13/103
 D593,488 S * 6/2009 Harrison D13/103
 D598,374 S * 8/2009 Sasada D13/108
 D598,844 S * 8/2009 Harrison D13/103
 D607,402 S * 1/2010 Himesda D13/103
 D623,589 S * 9/2010 Tarter D13/103
 D633,034 S * 2/2011 Heine D13/103
 D633,035 S * 2/2011 Heine D13/103
 D645,816 S * 9/2011 Sasada D13/108
 D664,092 S * 7/2012 Gea Suarez D13/103
 D664,498 S * 7/2012 Liu D13/103
 D664,920 S * 8/2012 Huang D13/107
 D665,346 S * 8/2012 Kumagai D13/108
 D686,155 S * 7/2013 Nguyen D13/103
 D697,028 S * 1/2014 Workman D13/110
 D720,688 S * 1/2015 Popper D13/103
 D721,645 S * 1/2015 Brown D13/102
 D722,956 S * 2/2015 Alima D13/103
 D740,221 S * 10/2015 Popper D13/103
 2005/0003265 A1 * 1/2005 Chiang H01M 2/1022
 429/96

2012/0308863 A1 * 12/2012 Masumoto H01M 2/022
 429/94

2015/0340691 A1 11/2015 Inoue et al.

FOREIGN PATENT DOCUMENTS

JP D1037378-006 S 4/1999
 JP D1037378 S 4/1999
 JP 2003-017014 A 1/2003
 JP D1282631 S 10/2006
 JP D1340600 S 9/2008
 JP D1340602 S 9/2008
 WO WO-2008/007867 A1 1/2008

OTHER PUBLICATIONS

Website, gmbattery.com, "Latest LiPo Battery—LiPo battery GMB05300", www.gmbattery.com/product/636-en.html, Updated Jan. 8, 2016, GMB Co., Ltd., China.

* cited by examiner

FIG.1

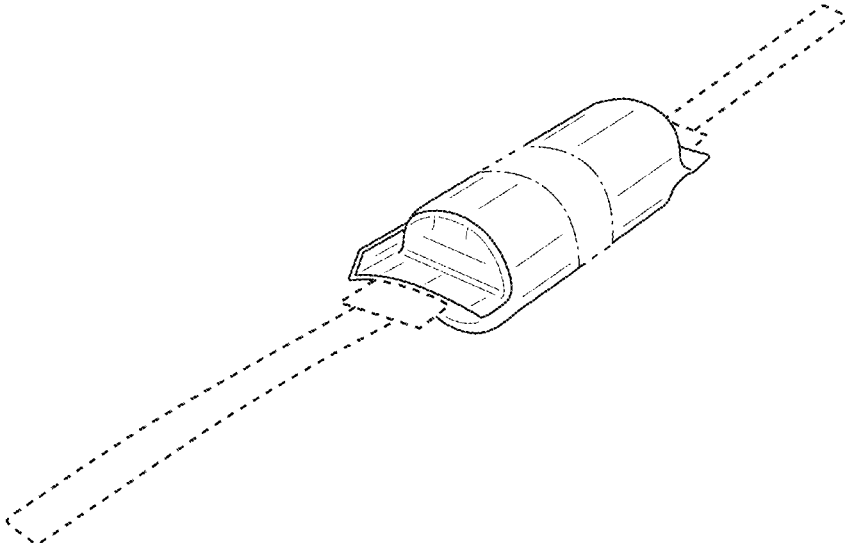


FIG.2

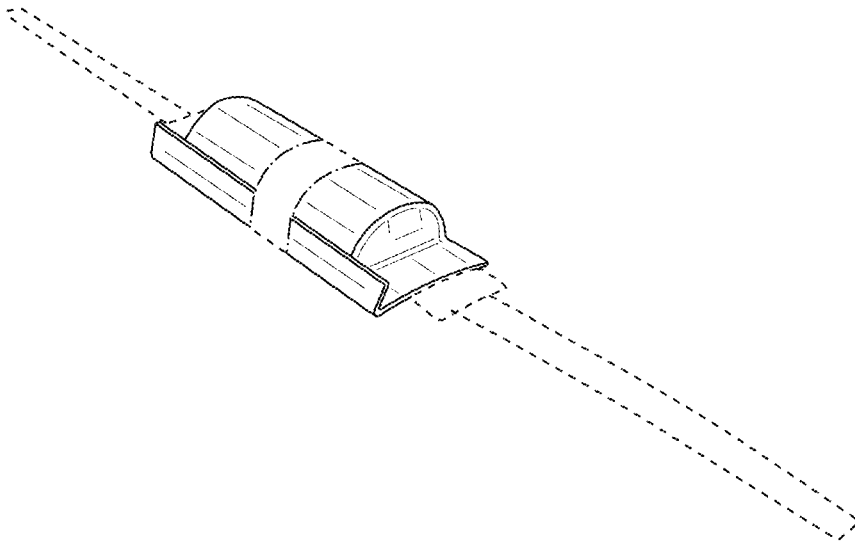


FIG.3

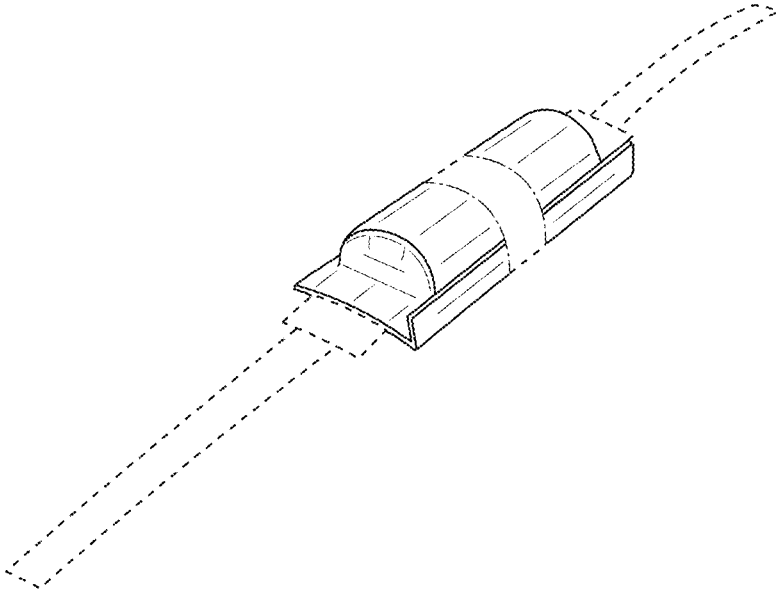


FIG.4

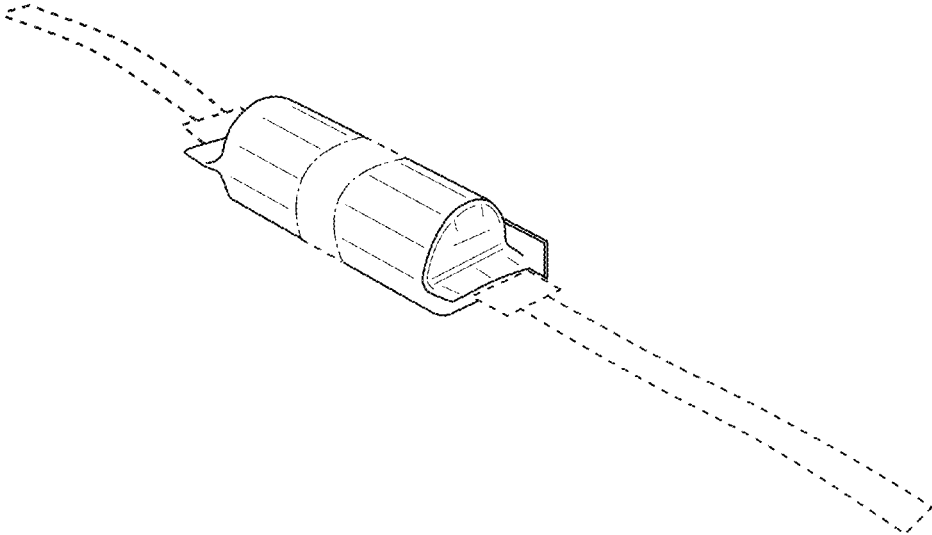


FIG.5



FIG.6



FIG.7

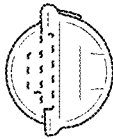


FIG.8

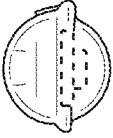


FIG.9



FIG.10

