



US00D554666S

(12) **United States Design Patent** (10) **Patent No.:** **US D554,666 S**  
**Chu** (45) **Date of Patent:** **\*\* Nov. 6, 2007**

(54) **CAP FOR AIR COMPRESSOR**

*Primary Examiner*—Ralf Seifert  
(74) *Attorney, Agent, or Firm*—Charles E. Baxley

(76) **Inventor:** **Henry C. Chu**, 133 N. Lemon St.,  
Orange, CA (US) 92866

(57) **CLAIM**

(\*\*) **Term:** **14 Years**

The ornamental design for a cap for air compressor, as shown and described.

(21) **Appl. No.:** **29/268,518**

(22) **Filed:** **Nov. 7, 2006**

**DESCRIPTION**

(51) **LOC (8) Cl.** ..... **15-02**

FIG. 1 is a front perspective view of a cap for air compressor showing my new design;

(52) **U.S. Cl.** ..... **D15/9**

FIG. 2 is a front elevational view thereof;

(58) **Field of Classification Search** ..... D15/7-9;  
D23/232, 231; 417/359, 415-416, 410.1,  
417/321, 265, 405

FIG. 3 is a rear elevational view thereof;

See application file for complete search history.

FIG. 4 is a top plan view thereof;

FIG. 5 is a bottom plan view thereof;

(56) **References Cited**

**U.S. PATENT DOCUMENTS**

FIG. 6 is a left side elevational view thereof;

FIG. 7 is a right side elevational view thereof;

FIG. 8 is a rear elevational view thereof;

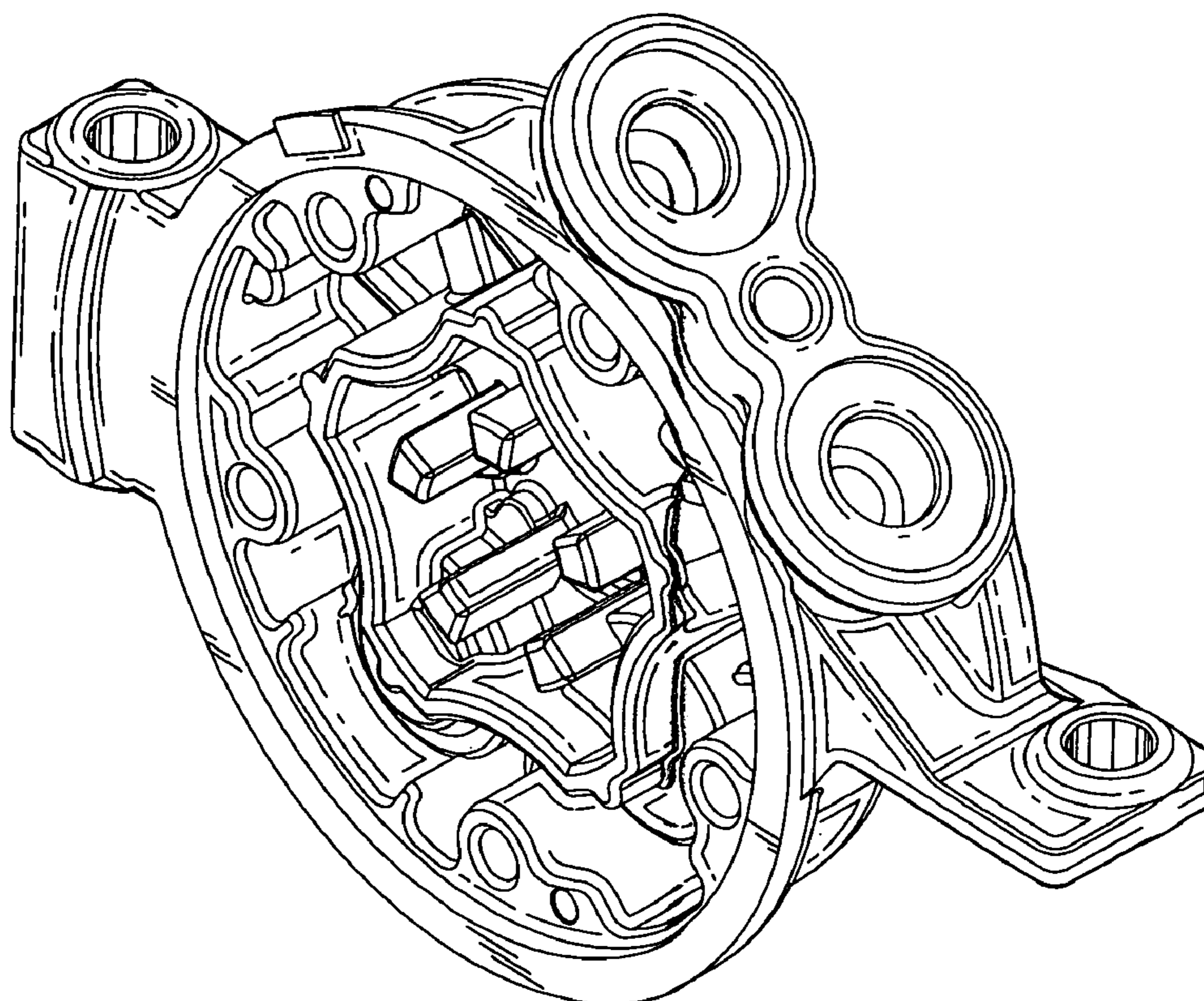
D506,477 S	*	6/2005	Chu et al.	.....	D15/9
D507,280 S	*	7/2005	Chu et al.	.....	D15/9
D529,049 S	*	9/2006	Chu	.....	D15/9
D529,050 S	*	9/2006	Chu	.....	D15/9
D529,517 S	*	10/2006	Chu	.....	D15/9
D529,927 S	*	10/2006	Chu	.....	D15/9
D529,928 S	*	10/2006	Chu	.....	D15/9
D529,929 S	*	10/2006	Chu	.....	D15/9
D529,930 S	*	10/2006	Chu	.....	D15/9
D533,881 S	*	12/2006	Chu	.....	D15/9

FIG. 9 is a rear elevational view thereof, the mouth and the protrusion and the bulges depicted by means of broken lines being for illustrative purposes only and forming no part of the claimed design; and,

FIG. 10 is a front perspective view thereof, the recess depicted by means of broken lines being for illustrative purposes only and forming no part of the claimed design.

\* cited by examiner

**1 Claim, 8 Drawing Sheets**



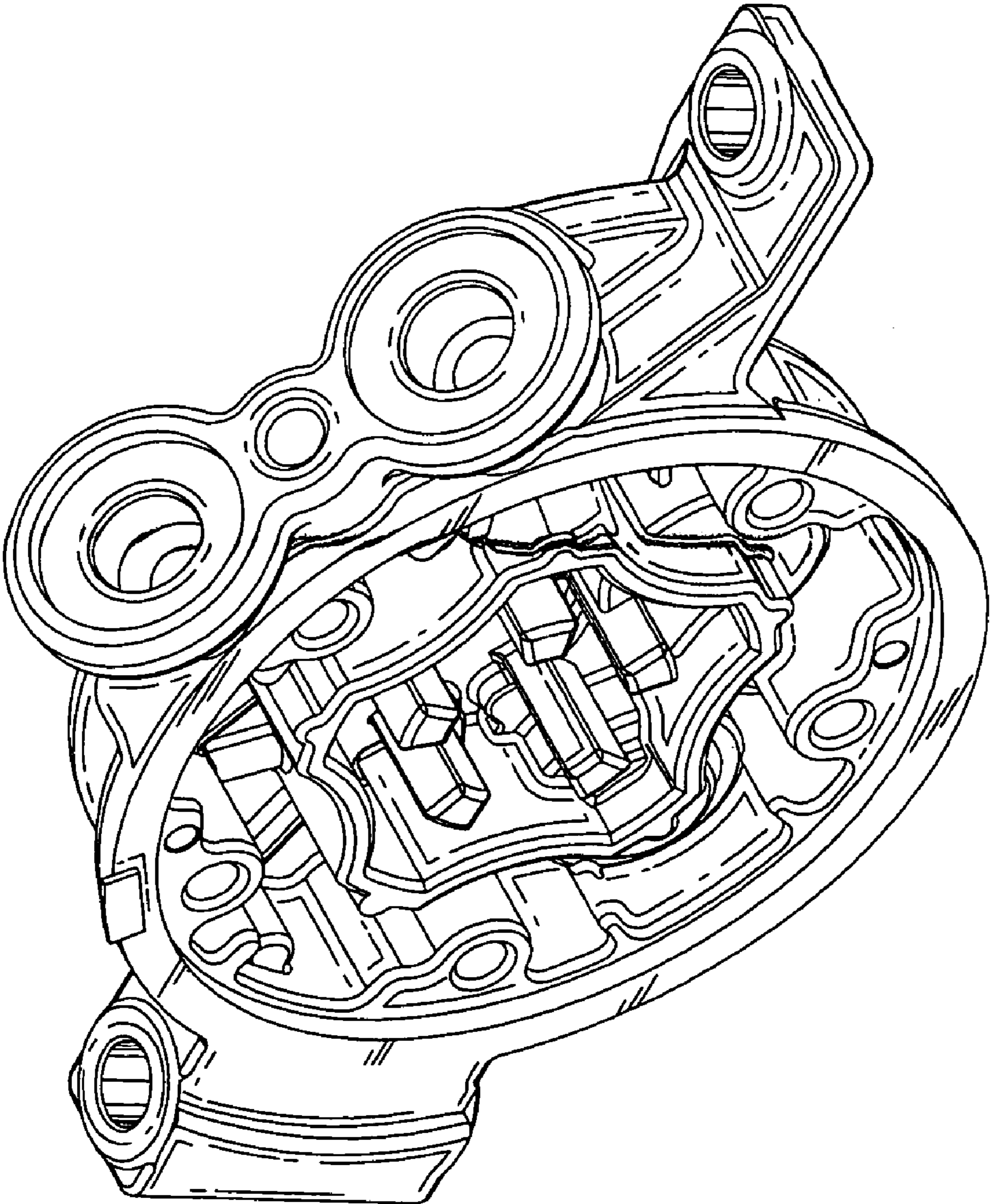


FIG. 1

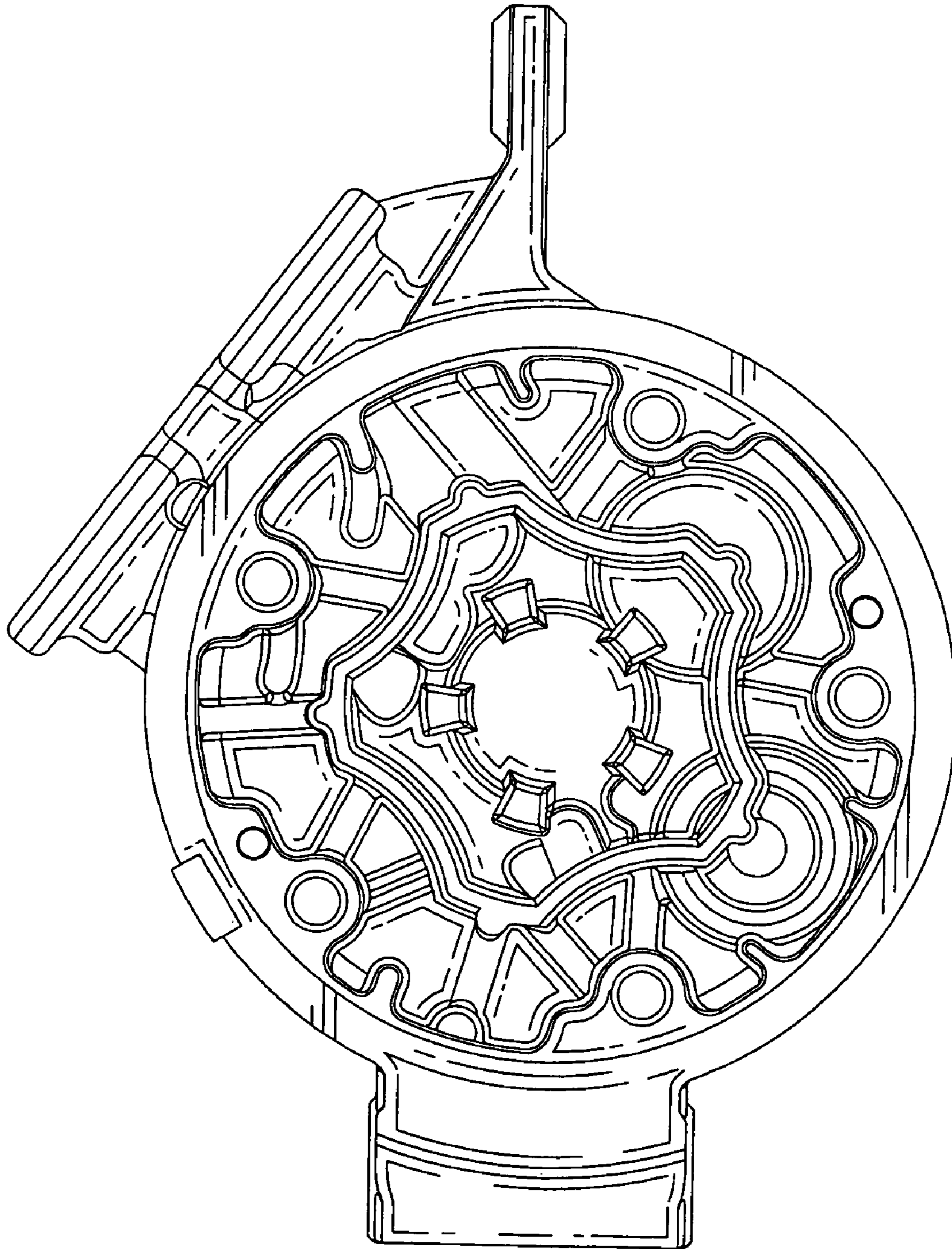


FIG. 2

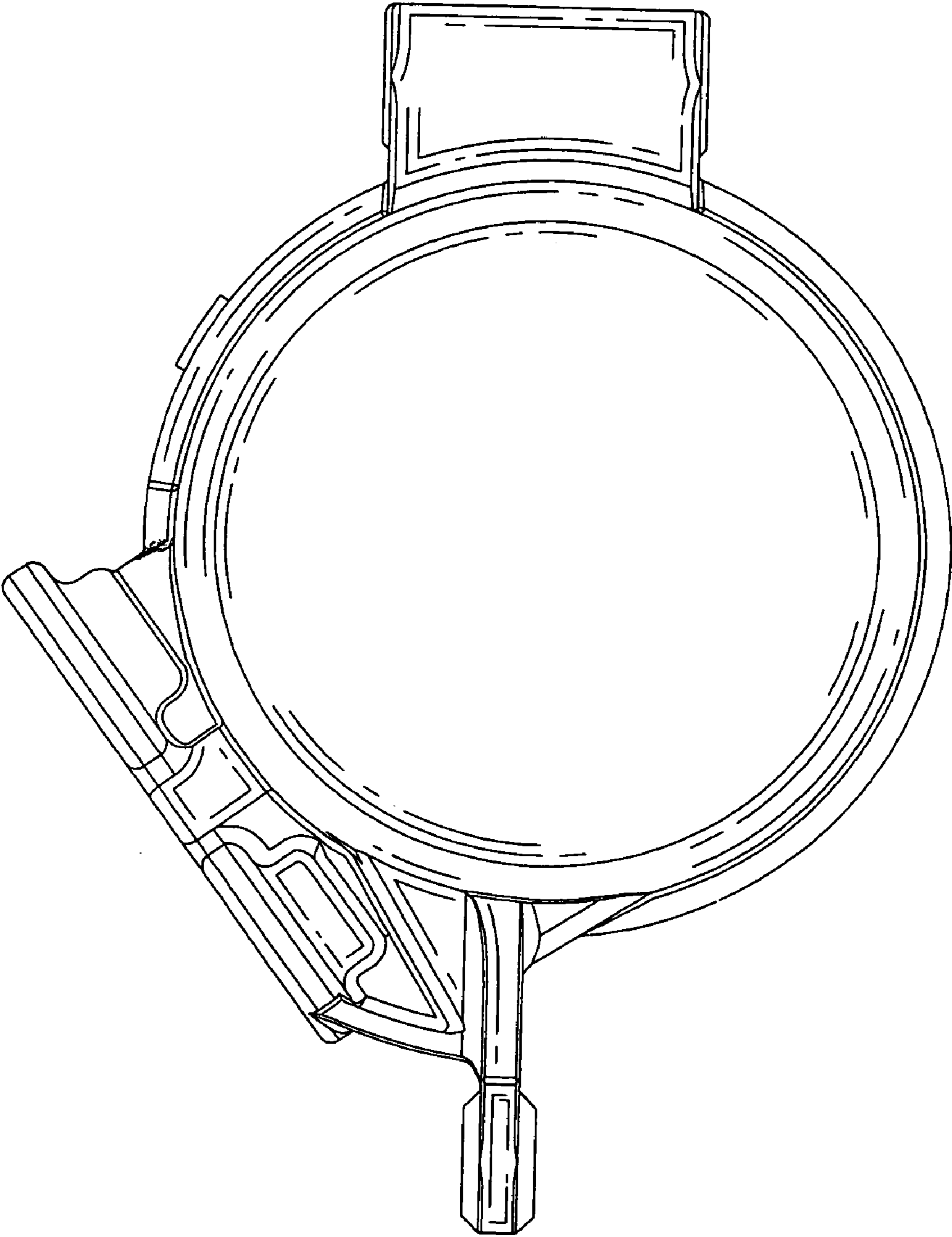


FIG. 3

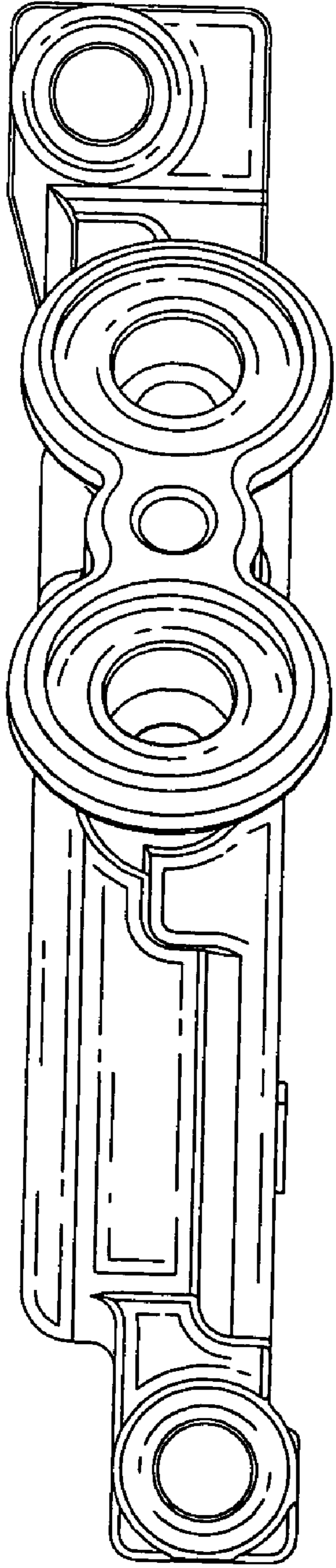


FIG. 4

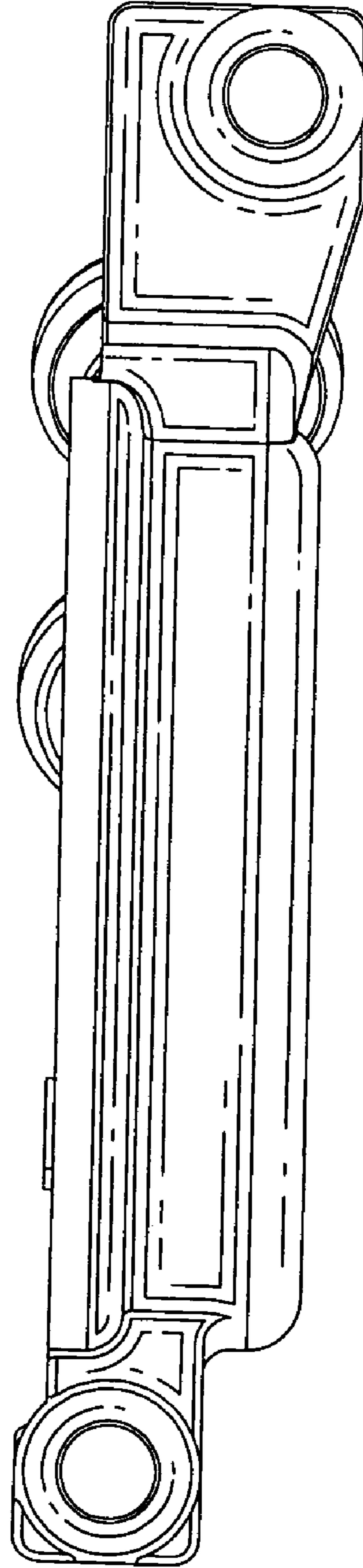


FIG. 5

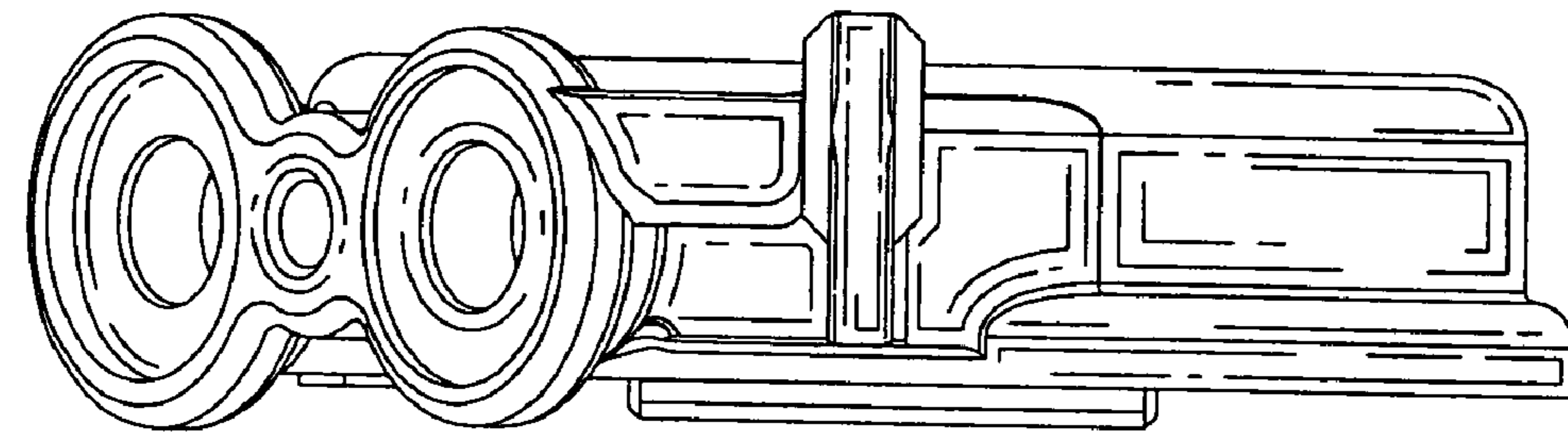


FIG. 7

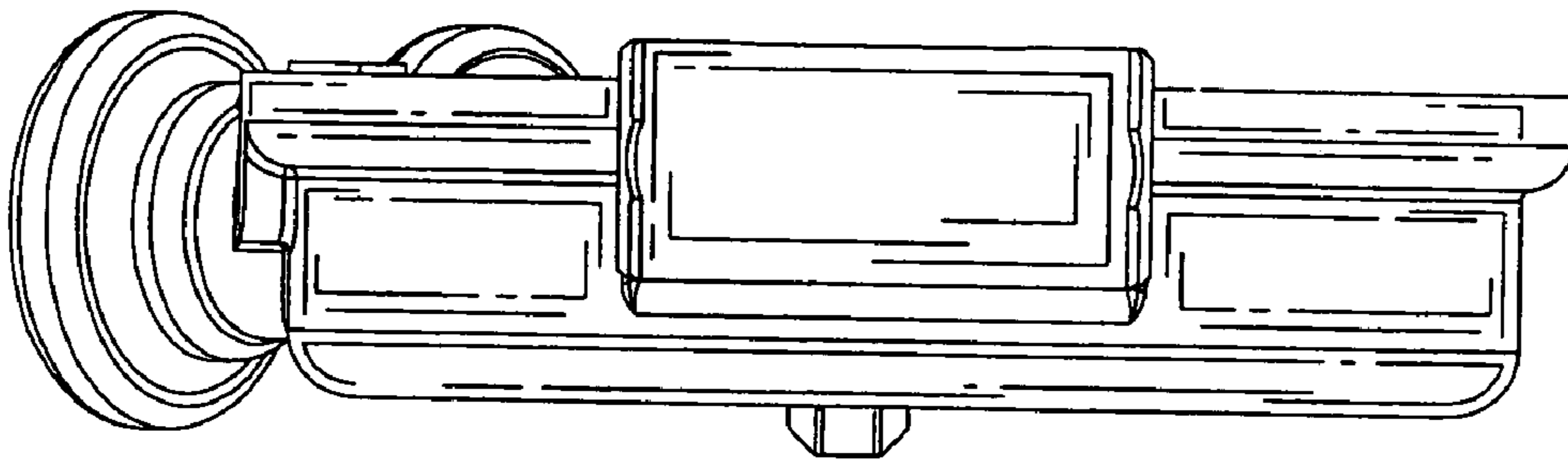


FIG. 6

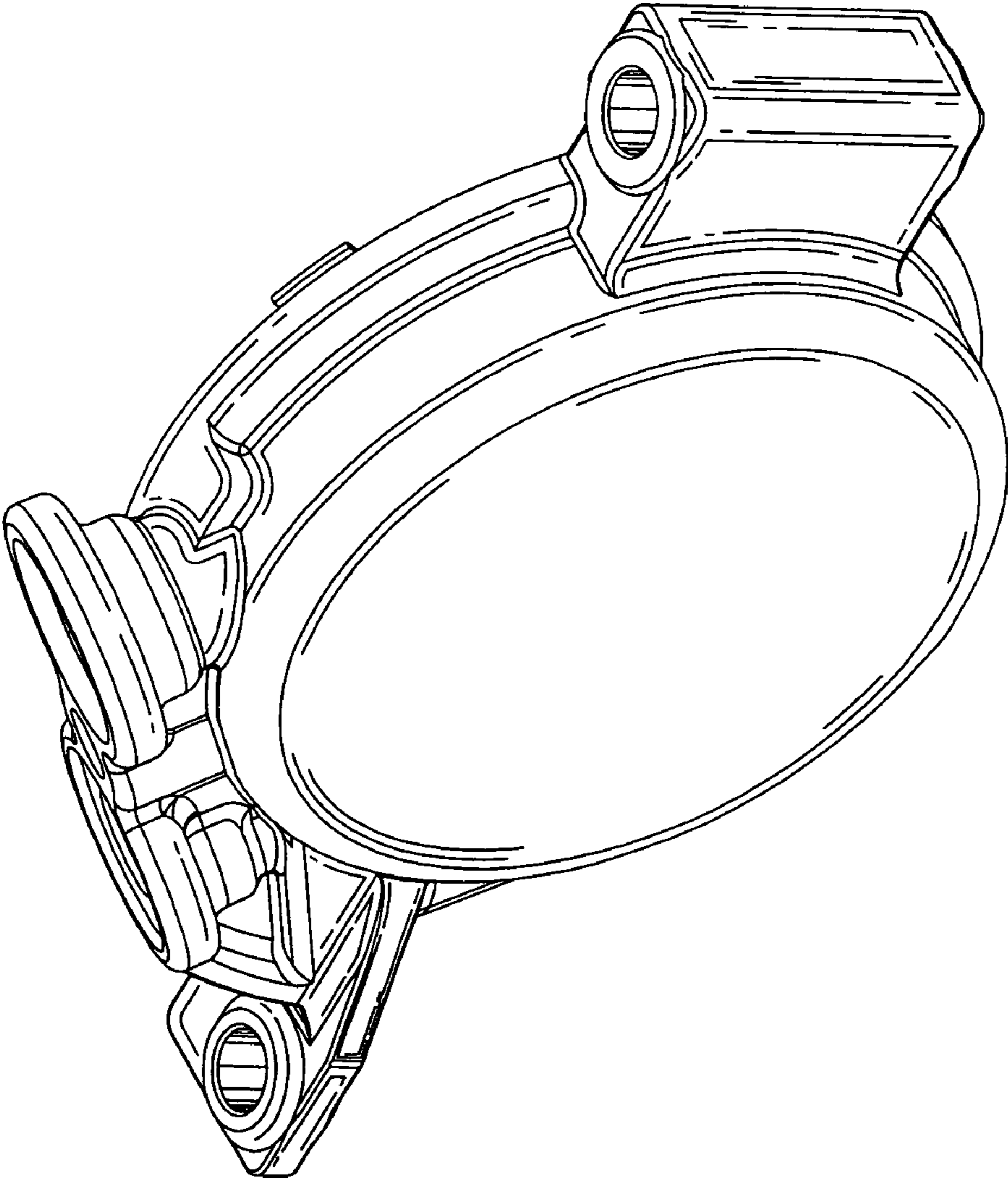


FIG. 8

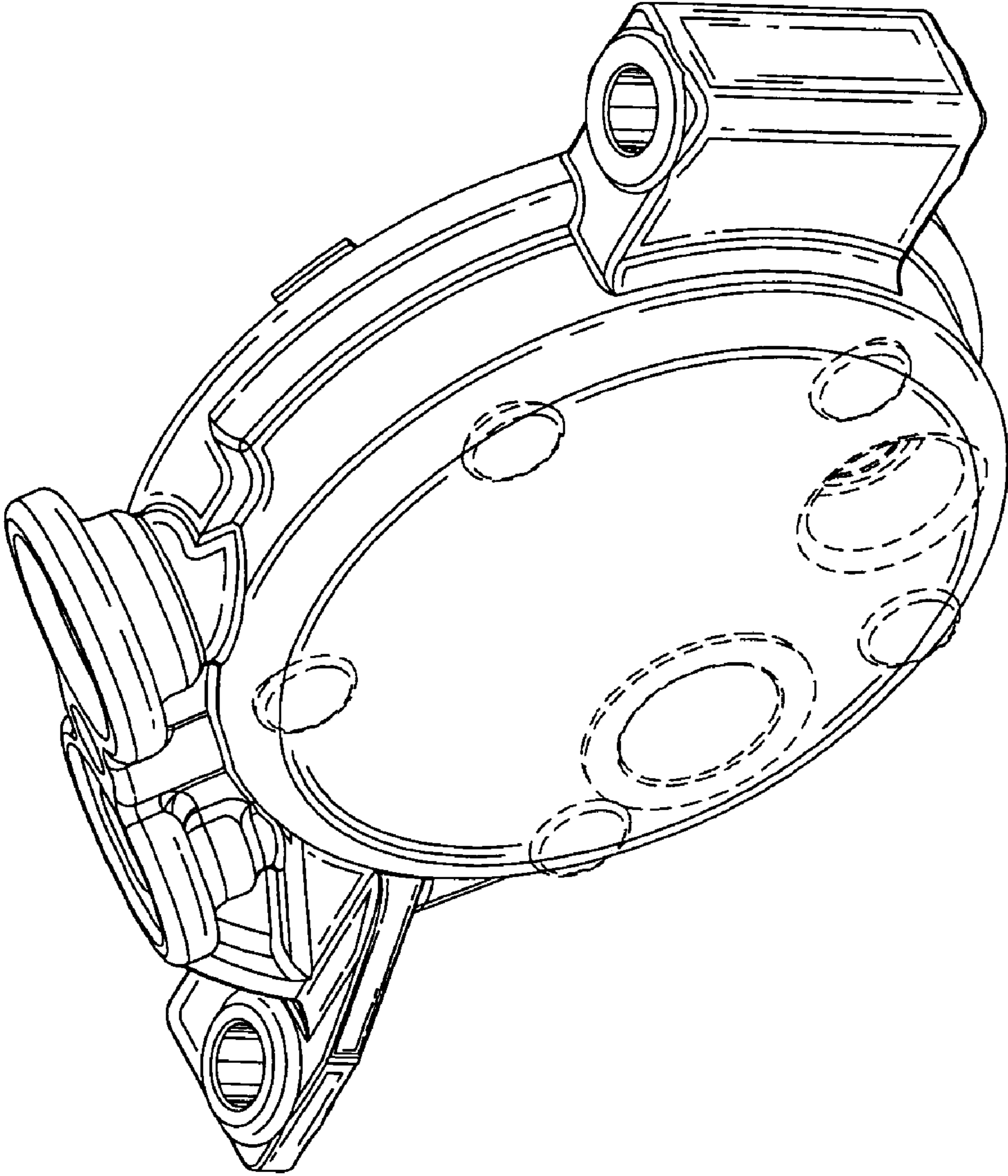


FIG. 9

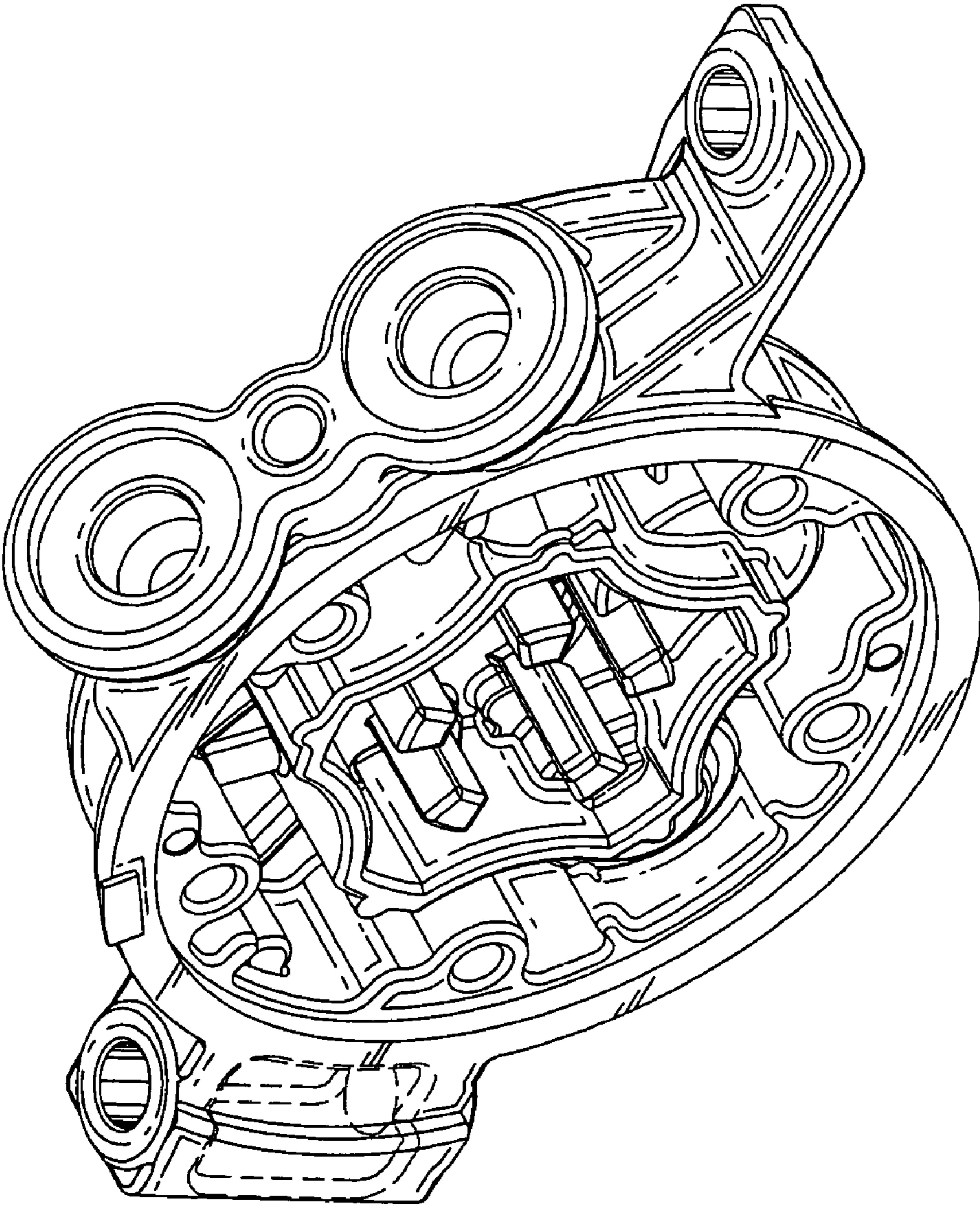


FIG. 10