



- (51) International Patent Classification:
D01D 5/18 (2006.01) *D01D 4/02* (2006.01)
- (21) International Application Number:
PCT/US2012/024142
- (22) International Filing Date:
7 February 2012 (07.02.2012)
- (25) Filing Language: English
- (26) Publication Language: English
- (30) Priority Data:
61/440,244 7 February 2011 (07.02.2011) US
- (71) Applicant (for all designated States except US): **FIBERIO TECHNOLOGY CORPORATION** [US/US]; 4409 Wanda Avenue, Suite B, McAllen, Texas 78503 (US).
- (72) Inventors; and
- (75) Inventors/Applicants (for US only): **PENO, Ed** [US/US]; 2412 Dorado Drive, Mission, Texas 78573 (US). **LIPTON, Roger** [US/US]; 9305 Travertine Cove, Austin, Texas 78735 (US). **KAY, Stephen** [US/US]; 7732 Yaupon Drive, Austin, Texas 78759 (US).
- (74) Agent: **MEYERTONS, Eric B.**; Meyertons, Hood, Kivlin, Kowert & GoetzeL, P.C., P.O. Box 398, Austin, Texas 78767-0398 (US).
- (81) Designated States (unless otherwise indicated, for every kind of national protection available): AE, AG, AL, AM,

AO, AT, AU, AZ, BA, BB, BG, BH, BR, BW, BY, BZ, CA, CH, CL, CN, CO, CR, CU, CZ, DE, DK, DM, DO, DZ, EC, EE, EG, ES, FI, GB, GD, GE, GH, GM, GT, HN, HR, HU, ID, IL, IN, IS, JP, KE, KG, KM, KN, KP, KR, KZ, LA, LC, LK, LR, LS, LT, LU, LY, MA, MD, ME, MG, MK, MN, MW, MX, MY, MZ, NA, NG, NI, NO, NZ, OM, PE, PG, PH, PL, PT, QA, RO, RS, RU, RW, SC, SD, SE, SG, SK, SL, SM, ST, SV, SY, TH, TJ, TM, TN, TR, TT, TZ, UA, UG, US, UZ, VC, VN, ZA, ZM, ZW.

- (84) Designated States (unless otherwise indicated, for every kind of regional protection available): ARIPO (BW, GH, GM, KE, LR, LS, MW, MZ, NA, RW, SD, SL, SZ, TZ, UG, ZM, ZW), Eurasian (AM, AZ, BY, KG, KZ, MD, RU, TJ, TM), European (AL, AT, BE, BG, CH, CY, CZ, DE, DK, EE, ES, FI, FR, GB, GR, HR, HU, IE, IS, IT, LT, LU, LV, MC, MK, MT, NL, NO, PL, PT, RO, RS, SE, SI, SK, SM, TR), OAPI (BF, BJ, CF, CG, CI, CM, GA, GN, GQ, GW, ML, MR, NE, SN, TD, TG).

Published:

- with international search report (Art. 21(3))
- before the expiration of the time limit for amending the claims and to be republished in the event of receipt of amendments (Rule 48.2(h))

- (88) Date of publication of the international search report:
28 February 2013

(54) Title: SPLIT FIBER PRODUCING DEVICES AND METHODS FOR THE PRODUCTION OF MICROFIBERS AND NANOFIBERS

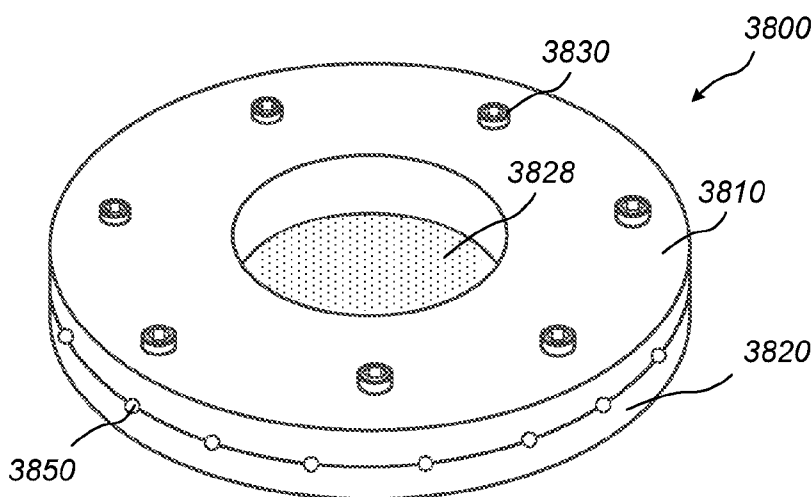


FIG. 11C

(57) Abstract: Described herein are apparatuses and methods of creating fibers, such as microfibers and nanofibers. The methods discussed herein employ centrifugal forces to transform material into fibers. Apparatuses that may be used to create fibers are also described. Described herein are fiber producing devices that are composed of two or more members, that, when coupled together, define an internal cavity and a plurality of openings.



INTERNATIONAL SEARCH REPORT

International application No.
PCT/US2012/024142**A. CLASSIFICATION OF SUBJECT MATTER*****D01D 5/18(2006.01)i, D01D 4/02(2006.01)i***

According to International Patent Classification (IPC) or to both national classification and IPC

B. FIELDS SEARCHED

Minimum documentation searched (classification system followed by classification symbols)

D01D 5/18; D01F 6/00; D04H 3/07; D01D 5/00; C01B 31/02; D06M 10/00; D01F 9/14; D01D 5/08

Documentation searched other than minimum documentation to the extent that such documents are included in the fields searched

Korean utility models and applications for utility models

Japanese utility models and applications for utility models

Electronic data base consulted during the international search (name of data base and, where practicable, search terms used)

eKOMPASS(KIPO internal) & Keywords: centrifugal forace, rotate, fiber, spin, coupling

C. DOCUMENTS CONSIDERED TO BE RELEVANT

Category*	Citation of document, with indication, where appropriate, of the relevant passages	Relevant to claim No.
A	US 05419794 A (HAUBER; MICHAEL et al.) 30 May 1995 See abstract, figure 2 and claims 1-17.	1-15
A	US 2009-0160099 A1 (HUANG TAO) 25 June 2009 See abstract, figures 1-6 and claims 1-26.	1-15
A	WO 2006-016641 A1 (NATIONAL UNIVERSITY CORPORATION GUNMA UNIVERSITY et al.) 16 February 2006 See abstract, figure 1 and claims 1-10.	1-15
A	WO 2005-042813 A1 (CLEAN AIR TECHNOLOGY CORP. et al.) 12 May 2005 See abstract, figures 4-8 and claims 1-21.	1-15
A	US 2009-0102100 A1 (HELLRING STUART D. et al.) 23 April 2009 See abstract, figures 1-3 and claims 1-21.	1-15

 Further documents are listed in the continuation of Box C. See patent family annex.

* Special categories of cited documents:

"A" document defining the general state of the art which is not considered to be of particular relevance

"E" earlier application or patent but published on or after the international filing date

"L" document which may throw doubts on priority claim(s) or which is cited to establish the publication date of citation or other special reason (as specified)

"O" document referring to an oral disclosure, use, exhibition or other means

"P" document published prior to the international filing date but later than the priority date claimed

"T" later document published after the international filing date or priority date and not in conflict with the application but cited to understand the principle or theory underlying the invention

"X" document of particular relevance; the claimed invention cannot be considered novel or cannot be considered to involve an inventive step when the document is taken alone

"Y" document of particular relevance; the claimed invention cannot be considered to involve an inventive step when the document is combined with one or more other such documents, such combination being obvious to a person skilled in the art

"&" document member of the same patent family

Date of the actual completion of the international search

28 DECEMBER 2012 (28.12.2012)

Date of mailing of the international search report

02 JANUARY 2013 (02.01.2013)

Name and mailing address of the ISA/KR

Korean Intellectual Property Office
189 Cheongsa-ro, Seo-gu, Daejeon Metropolitan
City, 302-701, Republic of Korea

Facsimile No. 82-42-472-7140

Authorized officer

Shim Yu Bong

Telephone No. 82-42-481-3356



INTERNATIONAL SEARCH REPORT

Information on patent family members

International application No.

PCT/US2012/024142

Patent document cited in search report	Publication date	Patent family member(s)	Publication date
US 05419794 A	30.05.1995	EP 0601278 A1	15.06.1994
		EP 0601278 B1	15.10.1997
		JP 02-635924 B2	25.04.1997
		JP 06-220761 A	09.08.1994
		JP 2635924 B2	30.07.1997
US 2009-0160099 A1	25.06.2009	CN 101896650 A	24.11.2010
		EP 2222903 A2	01.09.2010
		JP 2011-506797 A	03.03.2011
		JP 2011-506797 T	03.03.2011
		KR 10-2010-0108382 A	06.10.2010
		KR20100108382 A	06.10.2010
		WO 2009-079523 A2	25.06.2009
		WO 2009-079523 A3	01.10.2009
WO 2006-016641 A1	16.02.2006	JP 04-552017 B2	23.07.2010
		JP 2006-016641 A1	16.02.2006
		JP 4552017 B2	29.09.2010
		US 2008-0050304 A1	28.02.2008
		US 7763228 B2	27.07.2010
WO 2005-042813 A1	12.05.2005	KR 10-2005-0041198 A	04.05.2005
		KR 10-2005-0041199 A	04.05.2005
		KR 10-2005-0041201 A	04.05.2005
		KR 10-2005-0041202 A	04.05.2005
US 2009-0102100 A1	23.04.2009	CA 2703958 A1	30.04.2009
		CN 101883882 A	10.11.2010
		EA201070516 A1	30.12.2010
		EP 2209933 A1	28.07.2010
		JP 2011-501790 A	13.01.2011
		JP 2011-501790 T	13.01.2011
		KR20100088141 A	06.08.2010
		MX 2010004467 A	03.05.2010
		WO 2009-055413 A1	30.04.2009