



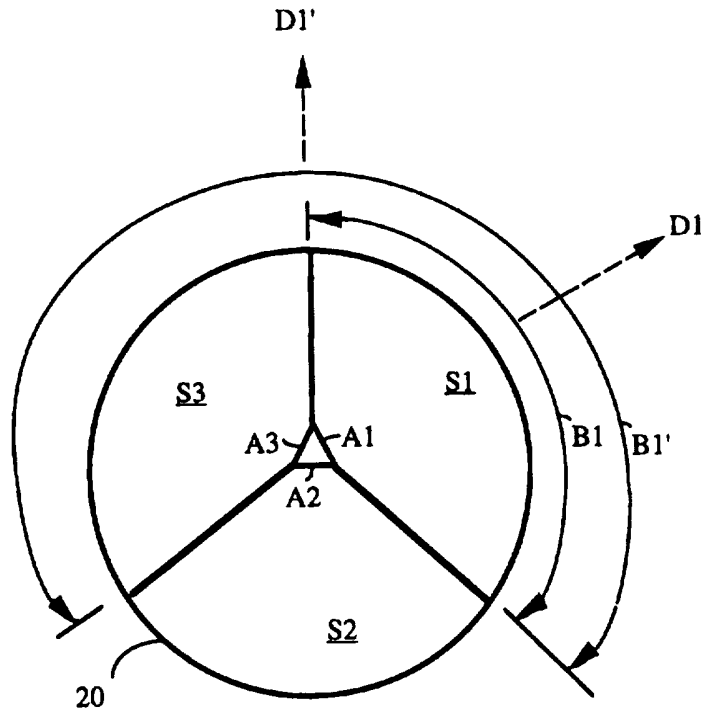
INTERNATIONAL APPLICATION PUBLISHED UNDER THE PATENT COOPERATION TREATY (PCT)

<p>(51) International Patent Classification ⁶ : H04Q 7/36, H01Q 3/24, H04B 1/74</p>	<p>A1</p>	<p>(11) International Publication Number: WO 96/17487 (43) International Publication Date: 6 June 1996 (06.06.96)</p>
<p>(21) International Application Number: PCT/US95/15533 (22) International Filing Date: 28 November 1995 (28.11.95) (30) Priority Data: 347,532 29 November 1994 (29.11.94) US (71) Applicant: QUALCOMM INCORPORATED [US/US]; 6455 Lusk Boulevard, San Diego, CA 92121 (US). (72) Inventors: GILMORE, Robert, P.; 12411 Ragweed Street, San Diego, CA 92129 (US). LARAMIE, Daniel; 2616 K Street, San Diego, CA 92102 (US). (74) Agent: MILLER, Russell, B.; Qualcomm Incorporated, 6455 Lusk Boulevard, San Diego, CA 92121 (US).</p>	<p>(81) Designated States: AL, AM, AT, AU, BB, BG, BR, BY, CA, CH, CN, CZ, DE, DK, EE, ES, FI, GB, GE, HU, IS, JP, KE, KG, KP, KR, KZ, LK, LR, LS, LT, LU, LV, MD, MG, MK, MN, MW, MX, NO, NZ, PL, PT, RO, RU, SD, SE, SG, SI, SK, TJ, TM, TT, UA, UG, UZ, VN, European patent (AT, BE, CH, DE, DK, ES, FR, GB, GR, IE, IT, LU, MC, NL, PT, SE), OAPI patent (BF, BJ, CF, CG, CI, CM, GA, GN, ML, MR, NE, SN, TD, TG), ARIPO patent (KE, LS, MW, SD, SZ, UG). Published <i>With international search report. Before the expiration of the time limit for amending the claims and to be republished in the event of the receipt of amendments.</i></p>	

(54) Title: METHOD AND APPARATUS FOR PROVIDING REDUNDANT RADIO COVERAGE WITHIN A CELLULAR COMMUNICATION SYSTEM

(57) Abstract

A system and method for using a sectored antenna arrangement within a cellular base station to provide redundant coverage within the surrounding cell is disclosed herein. An antenna feed network connects elements of the sectored antenna arrangement to a set of communication transceivers (79, 80, 81), wherein the feed network includes a combiner array (92, 94, 96) for combining selected ones of the antenna beams upon failure of one of the communication transceivers (79, 80, 81). A switch network (102, 104, 106) serves to provide the resultant combined beam to an operative one of the communication transceivers. Alternately, the sectored antenna arrangement includes an antenna array having a plurality of switchable antenna elements A1-A3, each connected to one of the communication transceivers. The switchable antenna elements A1-A3 project a set of variable-width antenna beams over the plurality of cell sectors. Upon one of the communication transceivers becoming inoperative, an antenna control network operates to adjust beam width of a selected one of the variable-width antenna beams by switching configuration of an associated one of the switchable antenna elements (S_{1f}, S_{2f}, S_{3f}, S_{1n}, S_{2n}, S_{3n}). In another approach each antenna within a primary array (S_{1n}, S_{2n}, S_{3n}) is disposed to project a beam over a single sector, while each element within a redundant array (S_{1f}, S_{2f}, S_{3f}) is designed to encompass a pair of adjacent sectors. Upon one of the transceivers becoming inoperative, a transceiver nominally assigned to cover a sector neighboring the failed sector is connected to the element within the redundant array (S_{1f}, S_{2f}, S_{3f}) encompassing both the failed and neighboring sectors.



20

FOR THE PURPOSES OF INFORMATION ONLY

Codes used to identify States party to the PCT on the front pages of pamphlets publishing international applications under the PCT.

AT	Austria	GB	United Kingdom	MR	Mauritania
AU	Australia	GE	Georgia	MW	Malawi
BB	Barbados	GN	Guinea	NE	Niger
BE	Belgium	GR	Greece	NL	Netherlands
BF	Burkina Faso	HU	Hungary	NO	Norway
BG	Bulgaria	IE	Ireland	NZ	New Zealand
BJ	Benin	IT	Italy	PL	Poland
BR	Brazil	JP	Japan	PT	Portugal
BY	Belarus	KE	Kenya	RO	Romania
CA	Canada	KG	Kyrgystan	RU	Russian Federation
CF	Central African Republic	KP	Democratic People's Republic of Korea	SD	Sudan
CG	Congo	KR	Republic of Korea	SE	Sweden
CH	Switzerland	KZ	Kazakhstan	SI	Slovenia
CI	Côte d'Ivoire	LI	Liechtenstein	SK	Slovakia
CM	Cameroon	LK	Sri Lanka	SN	Senegal
CN	China	LU	Luxembourg	TD	Chad
CS	Czechoslovakia	LV	Latvia	TG	Togo
CZ	Czech Republic	MC	Monaco	TJ	Tajikistan
DE	Germany	MD	Republic of Moldova	TT	Trinidad and Tobago
DK	Denmark	MG	Madagascar	UA	Ukraine
ES	Spain	ML	Mali	US	United States of America
FI	Finland	MN	Mongolia	UZ	Uzbekistan
FR	France			VN	Viet Nam
GA	Gabon				

communications transceiver to become inoperative may require sophisticated monitoring apparatus, it is often necessary to provide at least one entire redundant transceiver unit.

It is therefore an object of the present invention to provide a method and apparatus for providing redundant sector coverage within a cellular communications system without reliance upon spare communications hardware.

SUMMARY OF THE INVENTION

The present invention provides a system and method for using a sectored antenna array within a cellular base station to provide redundant coverage within the surrounding cell. The present invention may be implemented within a cellular communication system in which a cell-site is used to communicate information signals to and from users within a first cell having a plurality of sectors. The cell-site includes a set of communication transceivers, each of which is in communication through a sectored antenna arrangement with users in a corresponding cell sector.

In a preferred embodiment of the invention the sectored antenna arrangement includes an antenna array having a plurality of antenna elements for projecting a corresponding plurality of antenna beams over the cell sectors. An antenna feed network connects the antenna elements to selected ones of the communication transceivers, wherein the feed network includes a combiner array for combining selected ones of the antenna beams upon failure of one of the communication transceivers. A switch network serves to provide the resultant combined beam to an operative one of the communication transceivers.

In an alternately preferred embodiment the sectored antenna arrangement includes an antenna array having a plurality of switchable antenna elements, each connected to one of the communication transceivers. The switchable antenna elements project a set of variable-width antenna beams over the plurality of cell sectors. Upon one of the communication transceivers becoming inoperative, an antenna control network operates to adjust beam width of a selected one of the variable-width antenna beams by switching configuration of an associated one of the switchable antenna elements.

In this way the present invention allows for "seamless" system operation by enabling the inoperative transceiver to be repaired or replaced without interruption of user service.

BRIEF DESCRIPTION OF THE DRAWINGS

Additional objects and features of the invention will be more readily apparent from the following detailed description and appended claims when
5 taken in conjunction with the drawings, in which:

Figure 1 shows an exemplary six-sectored cell of a cellular communications system in which are disposed a plurality of subscriber units and a base station.

Figure 2 provides an illustrative representation of an exemplary
10 sectored cell in which is included a base station configured to provide redundant sector coverage in accordance with the invention.

Figure 3 shows a block diagram representation of the architecture of an exemplary base station transmitter network configured to provide
15 redundant sectorization.

Figure 4 depicts a preferred implementation of a switch matrix comprised of an array of single-pole, triple-throw switches respectively coupled to base station antenna elements.

Figure 5A provides a conceptual view of a dual-array base station antenna structure for providing redundant sector coverage.

Figure 5B illustratively represents the cell coverage of primary and
20 redundant antenna arrays included within the dual-array antenna of Figure 5A.

Figure 6 shows an illustrative three-sectored cell in which switchable antenna elements are each nominally set to provide a 120 degree beam
25 centered over one of the three cell sectors.

Figures 7A and 7B respectively show azimuth and side elevational views of a simplified representation of a switchable parasitic reflector antenna element.

Figure 8 provides an azimuth view of a switchable parasitic reflector
30 antenna comprised of a dipole antenna and a set of three parasitic reflectors.

Figure 9A shows an azimuth view of a simplified representation of a moveable-wedge reflector antenna comprised of a dipole antenna and a hinged reflector plate.

Figure 9B illustrates the manner in which the moveable-wedge
35 antenna of Figure 9A is configured during failure mode operation.

DESCRIPTION OF THE PREFERRED EMBODIMENT

I. Introduction

5
Turning now to Figure 2, there is shown an exemplary sectored cell 20 included within a cellular communication system comprised of a number of other such cells (not shown). Included within the cell is a base station 22, the antenna of which is used to facilitate communication with subscriber
10 users disposed within the three cell sectors S1-S3. In an exemplary embodiment the base station antenna is implemented as a sectored antenna arrangement having a set of three fixed-beam antenna elements 24, 26, 28. The fixed-beam antenna elements 24, 26, 28 operate to project a set of 120 degree beams over the sectors S1-S3, it being understood
15 that a greater number of antenna elements could be employed to effect increased sectorization within the cell 20.

Communication between the base station 22 and subscriber users within the cell 20 may be carried out using any one of a number of multiple access communication schemes familiar to those skilled in the art. The use
20 of code division multiple access (CDMA) modulation techniques is one of several such methods for facilitating communications in systems accommodating a large number of users. Other multiple access communication system techniques, such as time division multiple access (TDMA), frequency division multiple access (FDMA) and AM modulation
25 schemes such as amplitude companded single sideband are known in the art. However, the spread spectrum modulation technique of CDMA has significant advantages over these modulation techniques for multiple access communication systems. The use of CDMA techniques in a multiple access communication system is disclosed in U.S. Pat. No. 4,901,307, issued
30 Feb. 13, 1990, entitled "SPREAD SPECTRUM MULTIPLE ACCESS COMMUNICATION SYSTEM USING SATELLITE OR TERRESTRIAL REPEATERS", assigned to the assignee of the present invention, the disclosure of which is incorporated by this reference.

The CDMA techniques as disclosed in '307 patent contemplate the use
35 of coherent modulation and demodulation for both directions of the link in mobile-satellite communications. Accordingly, disclosed therein is the use of a pilot carrier signal as a coherent phase reference for the satellite-to-mobile unit link and the base station-to-mobile unit link. In the terrestrial cellular environment, however, the severity of multipath fading with the resulting
40 phase disruption of the channel, as well as the power required to transmit a

pilot carrier signal from the mobile unit, precludes usage of coherent demodulation technique for the mobile unit-to-base station link. U.S. Patent No. 5,102,459 entitled "SYSTEM AND METHOD FOR GENERATING SIGNAL WAVEFORMS IN A CDMA CELLULAR TELEPHONE SYSTEM",
5 issued June 25, 1990, assigned to the assignee of the present invention, the disclosure of which is incorporated by this reference, provides a means for overcoming the adverse effects of multipath in the mobile unit-to-base station link by using noncoherent modulation and demodulation techniques.

In particular, the inventive redundant sectorization technique may
10 find application within cellular communication systems in which are employed any of the aforementioned multiple access and modulation techniques. As is described hereinafter, in one aspect the present invention is directed to a method and apparatus for providing redundant or "back-up" antenna coverage in order to prevent hardware failure within the base
15 station 22 from causing interruption in service to one or more of the cell sectors S1-S3.

Briefly, in normal operation each base station includes a separate communications module or transceiver dedicated to servicing users within the individual cell sectors. Each communications module will nominally be
20 connected to a separate antenna element, each of which are directed to a different cell sector. In a preferred embodiment, a switch matrix is provided for selectively connecting one or more of the antenna elements to selected ones of the communication modules. Upon failure of a given base station communications module, the switch matrix may couple the antenna
25 element nominally connected to the failed module to an operative communications module associated with a neighboring sector. In this way the operative communications module is used to provide service to each of the adjacent sectors until the failed communications module is replaced.

30 2. Detailed Description of a Preferred Implementation

Turning now to Figure 3, there is shown a block diagram representation of the architecture of an exemplary base station transmitter network configured to provide redundant sectorization in accordance with
35 one aspect of the invention. The base station transmitter network is seen to include first, second and third baseband transmitters 42, 44, and 46 for processing baseband information signals to be transmitted over traffic channels associated with the first (S1), second (S2) and third (S3) cell sectors. Within the transmitters 42, 44 and 46 the information signals are bandpass
40 filtered, shifted to an RF carrier frequency, and provided to transmit

amplifiers 58, 60 and 62. The amplified signals produced by the amplifiers 58, 60 and 62 comprise the information signals to be provided via an RF carrier to cell sectors S1, S2 and S3 respectively. The outputs of each of the amplifiers 58, 60 and 62 are respectively connected to antenna
5 drivers 66, 68 and 70. As is indicated by Figure 3, the antenna drivers 66, 68 and 70 are coupled to a switch matrix 74.

The switch matrix 74 provides a switchable connection between the antenna element associated with each cell sector and the antenna drivers 66, 68 and 70. Each antenna driver 66, 68 and 70 may provide
10 additional signal amplification, and may also provide signal isolation from the antenna element(s) connected thereto. During normal operation the switch matrix 74 is set so as to connect antenna driver 66 to antenna element 24, antenna driver 68 to antenna element 26, and antenna driver 70 to antenna element 28. Again, the antenna elements 24, 26 and 28
15 respectively project antenna beams over the cell sectors S1-S3.

As is indicated by Figure 3, interposed between each of the antenna drivers 66, 68 and 70 and the switch matrix 74 is a duplexer 78. Each duplexer 78 operatively connects one of the antenna drivers to the switch matrix during operation of the cell-site in a transmission mode. During
20 receive mode, the duplexers 78 couple the switch matrix 74 to a set of receive networks (not shown) respectively associated with sectors S1, S2 and S3. Each transmitter/receiver pair forms a communications transceiver disposed to facilitate duplexed communication with the users of one of the cell sectors. The communications transceivers for sectors #1, #2 and #3 are
25 hereinafter respectively identified by the reference numerals 79, 80 and 81.

Referring now to Figure 4, in a preferred implementation of the switch matrix 74 an array of single-pole, triple-throw switches 82, 84 and 86 are respectively coupled to the antenna elements 24, 26 and 28. The switch matrix 74 further includes a set of three-port combiner elements 92, 94 and 96, as well as an array of single-pole, double-throw switches 102, 104 and 106. Each of the triple-throw switches 82, 84 and 86 are nominally set to center throw positions 90a-c, while the double-throw switches 102 and 104 are nominally set to left positions 110a-b and the double-throw switch 106 is set to right position 116c. These settings are used when each of the
35 communication transceivers are operational, and results in one-to-one coupling between each communication transceiver and one of the antenna elements 24, 26 and 28.

Upon the occurrence of hardware failure within one of the communications transceivers 79 - 81, the switch matrix effectively bypasses

the failed transceiver by coupling the antenna element nominally connected thereto to another communications transceiver. For example, assume that hardware failure renders communications transceiver 79 inoperative. Such failure may occur in the transceiver transmitter, transmitter receiver, or in a transceiver circuit element or device used both during signal transmission and reception. In this instance switch 82 is set to position 114a, switch 86 is set to 118c, and switch 106 is set to position 110c. The settings of switches 84, and 104 are maintained at the aforementioned nominal positions throughout such "failure mode" operation. As is indicated by Figure 3, this state change in switches 82, 86, and 106 causes the signals from antenna elements 24 and 28 to be combined within combiner 94 and relayed to communications transceiver 81. In this way transceiver 79 may be bypassed until such time as the hardware failure detected therein is corrected, or until the transceiver 79 is itself replaced. In the interim, communication with users located in cell sectors S1 and S3 is handled by the communications transceiver 81, which is nominally assigned only to sector S3. TABLE I shows the positions to which each switch within matrix 74 is set during failure mode operation. Again, during normal operation the switches within the matrix 74 are set in order that the transceivers 79-81 respectively communicate with users in the sectors S1, S2 and S3.

TABLE I

Transceiver Failure	Switch Positions Where X = don't care					
	Switch #					
	82	84	86	102	104	106
Transceiver 79	114a	90b	118c	X	110b	110c
Transceiver 80	118a	114b	90c	116a	X	116c
Transceiver 81	90a	118b	114c	110a	116b	X

Although operation of the switch matrix has been described within the context of an antenna receive mode, those skilled in the art will realize that reciprocal operation in the transmit mode is also possible using a substantially similar structure. For example, during transmit mode operation the combiners would be implemented to perform a signal splitting function rather than signal combining.

Turning to Figure 5A, a conceptual view is provided of a dual-array antenna structure for providing redundant sector coverage. The dual-array structure of Figure 5A includes a primary array of three 120 degree antennas S_{1n}, S_{2n}, S_{3n}, and a redundant or secondary array of three 240 degree

antennas S_{1f} , S_{2f} and S_{3f} . The antennas S_{1n} , S_{2n} , S_{3n} , are respectively directed to sectors S1, S2 and S3, while the antennas S_{1f} , S_{2f} and S_{3f} are each directed to two of the sectors S1-S3 (Figure 5B). A switch matrix comprised of switches 120, 122 and 124 is provided for switchably connecting operative
5 ones of the communication transceivers 79-81 to selected antennas within the secondary array upon failure of other ones of the transceivers. During normal operation, each of the transceivers 79-81 are respectively connected to one of the primary antennas S_{1n} , S_{2n} , S_{3n} by setting the switches 120, 122, and 124 to positions 1A, 2A and 3A, respectively. Accordingly, during
10 normal operation users within each of the sectors S1-S3 are respectively serviced by one of the communications transceivers 79-81.

As an example of failure mode operation, consider the case in which an error condition or failure is detected within transceiver 79. In this instance switch 122 is set to position 2B, which results in the projection of
15 a 240 degree antenna beam over sectors S1 and S2 during failure mode operation. As a result, users within both the sectors S1 and S2 are serviced by the sector #2 communications transceiver 80. Similarly, switch 120 is set to position 1B upon failure of the sector #3 transceiver 81, which results in the sector #1 transceiver 79 handling users within both the sectors S1 and S3.
20 In like manner switch 124 is set to position 3B in the event of inoperability of the sector #2 transceiver 80.

Figure 5B illustratively represents the cell coverage of the primary and redundant antenna arrays. In particular, the primary antenna elements S_{1n} , S_{2n} , S_{3n} are seen to be respectively directed to the sectors S1-S3. With
25 regard to the redundant array, redundant element S_{3f} encompasses sectors S1 and S3, redundant element S_{2f} is directed over sectors S2 and S1, and redundant element S_{1f} covers sectors S1 and S3.

In the dual-array approach exemplified by Figures 5A and 5B, upon failure of one of the communications transceivers 79 - 81 another
30 transceiver 79 - 81 is switched from connection to a 120 degree antenna element to connection to a 240 degree element within a separate redundant array. However, in certain applications it may be desired to achieve the same form of redundancy without provision of a secondary or redundant array. Accordingly, in an alternate embodiment of the invention a single
35 antenna array comprised of adjustable beam-width antenna elements is employed to achieve the desired coverage redundancy. The adjustable beam-width antenna elements may be realized using any of a number of specific implementations, two of which are described below.

Within each of the single-array embodiments described below, the

beam projected by each switchable element is adjusted in both breadth and direction when it becomes necessary provide back-up sector coverage. For example, Figure 6 shows an illustrative three-sectored cell in which switchable antenna elements A1-A3 are each nominally set to provide a 120 degree beam centered over one of the sectors S1-S3. Upon failure of a communications transceiver connected to switchable antenna element A3, the beam projected by the switchable antenna element A1 will be rotated so as to be centered at the boundary between sectors S1 and S3, and will be broadened to 240 degrees. Referring to Figure 6, the element A1 nominally projects a beam of azimuth width B1 (i.e., 120 degrees) centered about direction D1. Upon being switched, the switchable antenna element A1 projects a beam of azimuth width B1' (i.e., 240 degrees) in direction D1'. The sector S1 communications transceiver, which remains coupled to only the switchable antenna element A1 during both normal and failure-mode operation, is then used for communication with users in both the sectors S1 and S3. Users within sector S2 continue to be serviced by the sector S2 communications transceiver coupled to switchable antenna element A2.

In each of the single-array implementations generally represented by Figure 6, each communications transceiver remains connected to one and only one switchable antenna element during operation in both normal and failure modes. This advantageously simplifies base station architecture by obviating the need for a switch matrix between the communication transceivers and the base station antenna elements.

Referring to Figures 7A and 7B, there are respectively shown azimuth and side elevational views of a simplified representation of a switchable parasitic reflector antenna element 200. The switchable antenna element 200 includes a dipole radiator 204 and a switched parasitic reflector 206. The dipole radiator 204 and switched parasitic reflector 206 may each be realized using a thin, cylindrical electrical conductor. The dipole radiator 204 is conventionally driven by signal source, which is identified by reference number 208. If the electrical length of the switched parasitic reflector 206 is selected to be approximately 5% longer than the length of the dipole radiator 204, then the reflector 206 results in the projection of the directive radiation beam R of Figure 7A.

As is indicated by Figure 7B, the parasitic reflector 206 includes upper and lower conductor segments 212 and 214 switchably connected by a reflector switch 210. When the reflector switch 210 is closed, the switched parasitic reflector 206 resonates in the presence of electromagnetic emission by the dipole antenna 204, thereby forming the directive radiation beam R.

Upon opening of the switch 210, the reflector 206 ceases to resonate and hence does not function as a reflective element. In accordance with the invention, several switched parasitic reflectors may be arranged proximate a dipole antenna in order to allow directive radiation beams of differing
5 breadth and direction to be projected during normal and failure modes of operation. In the specific case of a three-sectored cell (Figure 6), each of the three switchable base station antenna elements (A1-A3) may be realized using the configuration depicted in Figure 8.

Turning now to Figure 8, there is shown an azimuth view of a
10 switchable parasitic reflector antenna 250 comprised of a dipole antenna 254 and a set of three parasitic reflectors 256-258. The parasitic reflectors 256-257 are substantially identical to the parasitic reflector 206 (Figure 7A-B), and hence each includes a pair of conductor segments connected through a switch (not shown). The third parasitic reflector 258 is comprised of a single
15 electrical conductor (i.e., an unswitched reflector) having a length approximately 5% greater than the dipole antenna 254. As is indicated by Figure 8, the parasitic reflectors 256 and 258 are nominally spaced by $1/2$ from the dipole antenna 254, and the parasitic reflector 257 is spaced by $1/4$ therefrom, where l denotes the wavelength of the emitted radiation.

By appropriately switching the parasitic reflectors 256-257, the
20 antenna 250 is capable of alternately providing antenna beams of the width and direction required to be produced during normal and failure mode operation of the elements A1-A3. That is, the parasitic reflector element 250 is disposed to provide a 120 degree azimuth beam in a first direction (e.g.,
25 direction D1 in Figure 6) during normal mode operation, and a second 240 degree azimuth beam in another angular direction (i.e., direction D1') during failure mode operation. During normal operation a 120 degree width beam is produced by closing the switch within each of the parasitic reflectors 256-257, while during failure mode a 240 degree beam is produced
30 by preventing resonance of the reflectors 256-257 by opening the switches therein.

Referring to Figure 9A, there is respectively shown an azimuth view of a moveable-wedge reflector antenna 300. The reflector antenna 300 is comprised of a dipole antenna 304 and a hinged reflector plate 306 spaced
35 approximately $1/2$ therefrom. The reflector plate 306 includes a pair of electrically conductive reflector panels 308, 310, which are joined by a hinge element 312. When the panels 308, 310 of the reflector plate 306 are set in the planar configuration of Figure 9A, the antenna 300 projects a 120 degree beam in direction D1.

In a preferred embodiment, the hinged reflector plate 306 is mounted upon an X-Y stage (not shown) in order that the hinged reflector plate 306 may be translated relative to the dipole antenna 304 during failure mode operation. As is indicated by Figure 9B, this translation results in a beam being projected by the antenna 300 in direction D1' during failure mode operation. The beam width is set at 240 degrees during failure mode operation by adjusting the angle α between the reflector panels 308, 310 to approximately 90 degrees. This angular adjustment of the reflector panels 308, 310 may be effected by mechanical apparatus familiar to those skilled in the art.

The previous description of the preferred embodiments is provided to enable any person skilled in the art to make or use the present invention. The various modifications to these embodiments will be readily apparent to those skilled in the art, and the generic principles defined herein may be applied to other embodiments without the use of inventive faculty. For example, the teachings of the present invention are equally applicable to cellular systems in which are included cells of sectorizations other than those described herein. Thus, the present invention is not intended to be limited to the embodiments shown herein but is to be accorded the widest scope consistent with the principles and novel features disclosed herein.

CLAIMS

1. In a cellular subscriber communication system in which a cell-site
2 is used to communicate information signals to and from users within a first
4 cell having a plurality of sectors, said cell-site including a plurality of
6 communication transceivers in communication through a sectored antenna
8 arrangement with said users disposed in corresponding ones of said
10 plurality of sectors, said sectored antenna arrangement comprising:
12 an antenna array having a plurality of antenna elements for
14 projecting a corresponding plurality of antenna beams over said plurality of
sectors; and
an antenna feed network for connecting said antenna elements to
selected ones of said communication transceivers, said antenna feed
network including a combiner array for combining selected ones of said
antenna beams upon one of said communication transceivers becoming
inoperative, and a switch network for providing the resultant combined
beam to an operative one of said communication transceivers.
2. The sectored antenna arrangement of claim 1 wherein said
2 combiner array includes a plurality of combiner elements, each of said
4 combiner elements being connected to adjacent ones of said antenna
elements.
3. The sectored antenna arrangement of claim 2 wherein said switch
2 network includes a first set of switches for connecting said antenna elements
4 to said combiner elements, and a second set of switches for connecting said
antenna elements and said combiner elements to said communication
transceivers.
4. The sectored antenna arrangement of claim 3 wherein said first set
2 of switches are set such that pairs of said antenna beams associated with first
4 and second adjacent ones of said plurality of antenna elements are combined
upon failure of operation of a first one of said communication transceivers,
said first and second sets of switches being nominally set to connect said first
6 communication transceiver to said first one of said plurality of antenna
element.
5. In a cellular subscriber communication system in which a cell-site

2 is used to communicate information signals to and from users within a first
cell having a plurality of sectors, said cell-site including a plurality of
4 communication transceivers in communication through a sectored antenna
arrangement with said users disposed in corresponding ones of said
6 plurality of sectors, said sectored antenna arrangement comprising:

a first antenna array for projecting a first set of antenna beams
8 wherein each antenna of said beams is projected over one of said sectors,
each of said antenna beams being processed by one of said plurality of
10 communication transceivers;

a second antenna array for projecting a second set of antenna beams,
12 wherein each antenna beam within said second set is projected over a group
of at least two of said sectors and is processed by one of said communication
14 transceivers; and

a switching network for selectively connecting said communication
16 transceivers to said first and second antenna arrays.

6. The sectored antenna arrangement of claim 5 wherein said first
2 antenna array includes a plurality of primary antenna elements disposed to
project said antenna beams of said first set over a first azimuth beam width,
4 and said second antenna array includes a like plurality of redundant
antenna elements disposed to project said antenna beams of said second set
6 over a second azimuth beam width approximately twice said first azimuth
beam width.

7. The sectored antenna arrangement of claim 6 wherein said
2 switching network includes an array of switches, each of said switches being
disposed to selectively connect one of said communication transceivers to
4 corresponding ones of said primary and secondary antenna elements.

8. In a cellular subscriber communication system in which a cell-site is
2 used to communicate information signals to and from users within a first
cell having a plurality of sectors, said cell-site including a plurality of
4 communication transceivers in communication through a sectored antenna
arrangement with said users disposed in corresponding ones of said
6 plurality of sectors, said sectored antenna arrangement comprising:

an antenna array including a plurality of switchable antenna elements
8 for projecting a set of variable-width antenna beams over said plurality of
sectors, each of said switchable antenna elements being connected to one of
10 said communication transceivers; and

an antenna control network for adjusting beam width of a selected
12 one of said variable-width antenna beams upon one of said communication
transceivers becoming inoperative by switching configuration of an
14 associated one of said switchable antenna elements.

9. The sectored antenna arrangement of claim 8 wherein each of said
2 switchable antenna elements includes a dipole antenna proximate a first
selectively resonant parasitic reflector.

10. The sectored antenna arrangement of claim 9 wherein said first
2 selectively resonant parasitic reflector includes:
first and second conductor segments, and
4 a first switch for switchably connecting said first and second conductor
segments, said antenna control network placing said first switch in a closed
6 state in order to provide a first beam width and in an open state to provide a
second beam width.

11. The sectored antenna arrangement of claim 9 wherein each of said
2 switchable antenna elements includes a second selectively resonant parasitic
reflector and a solid parasitic reflector arranged proximate said dipole
4 antenna.

12. The sectored antenna arrangement of claim 9 wherein each of said
2 second selectively resonant parasitic reflectors include:
third and fourth conductor segments, and
4 a second switch for switchably connecting said third and fourth
conductor segments, said antenna control network being operative to
6 synchronize opening and closing of said first and second switches of each
said switchable antenna elements.

13. The sectored antenna arrangement of claim 9 wherein said first
2 selectively resonant parasitic reflector within of first of said switchable
antenna elements is of slightly longer electrical length than the dipole
4 antenna included within the first switchable antenna element.

14. The sectored antenna arrangement of claim 8 wherein each of said
2 switchable antenna elements includes a dipole antenna proximate a hinged
reflector wedge.

15. The sectored antenna arrangement of claim 14 wherein said
2 hinged reflector wedge includes first and second wedge plates coupled to a
common hinge element, said antenna control network including means for
4 adjusting position of said first and second wedge plates.

16. In a cellular subscriber communication system in which a cell-site
2 is used to communicate information signals to and from users within a first
cell having a plurality of sectors, said cell-site including a plurality of
4 communication transceivers in communication through a sectored antenna
arrangement with said users disposed in corresponding ones of said
6 plurality of sectors, said sectored antenna arrangement comprising:

an antenna array including a plurality of switchable antenna elements
8 for projecting a set of variable-width antenna beams over said plurality of
sectors, each of said switchable antenna elements including a set of radiative
10 elements switchably connected to one of said communication transceivers;

an array of switches for switchably connecting said radiative elements
12 to said communication transceivers; and

an antenna control network for adjusting beam width of a selected
14 one of said variable-width antenna beams upon one of said communication
transceivers becoming inoperative by changing state of selected ones of said
16 switches.

17. The sectored antenna arrangement of claim 16 wherein each of
2 said switchable antenna elements includes a set of at least four radiative
4 elements, and wherein each of said switches within said array are nominally
in a closed position.

18. The sectored antenna arrangement of claim 17 wherein said
2 antenna control network includes means for opening two of said switches
connected to radiative elements within a selected one of said switchable
4 antenna elements.

19. In a cellular subscriber communication system in which a cell-site
2 is used to communicate information signals to and from users within a first
cell having a plurality of sectors, said cell-site including a plurality of
4 communication transceivers in communication through a sectored antenna
arrangement with said users disposed in corresponding ones of said
6 plurality of sectors, a method for providing redundant coverage of said

sectors comprising the steps of:

- 8 projecting a plurality of antenna beams over said plurality of sectors
using a corresponding plurality of antenna elements;
- 10 connecting said antenna elements to selected ones of said
communication transceivers and combining selected ones of said antenna
12 beams upon failure of one of said communication transceivers; and
 providing the resultant combined beam to an operative one of said
14 communication transceivers.

20. In a cellular subscriber communication system in which a cell-site
2 is used to communicate information signals to and from users within a first
cell having a plurality of sectors, said cell-site including a plurality of
4 communication transceivers in communication through a sectored antenna
arrangement with said users disposed in corresponding ones of said
6 plurality of sectors, a method for providing redundant coverage of said
sectors comprising the steps of:

- 8 projecting a set of variable-width antenna beams over said plurality of
sectors using a corresponding plurality of switchable antenna elements
10 wherein selected ones of said switchable antenna elements are connected to
corresponding ones of said communication transceivers; and
12 adjusting beam width of a selected one of said variable-width antenna
beams upon one of said communication transceivers becoming inoperative
14 by switching configuration of an associated one of said switchable antenna
elements.

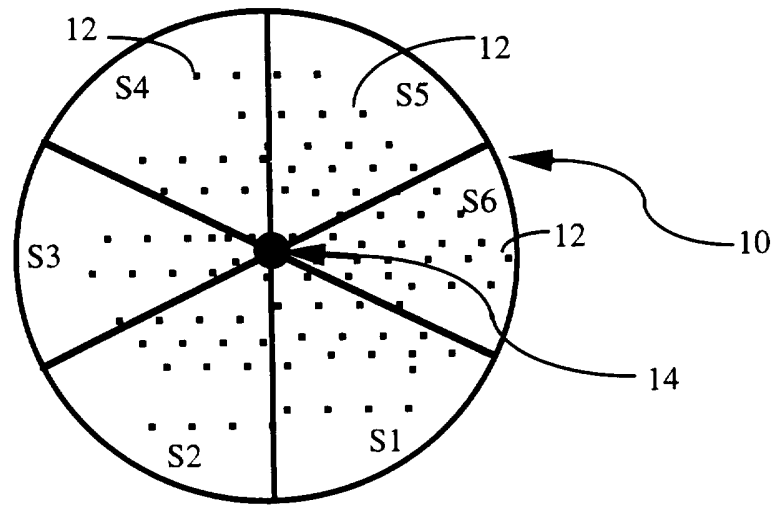


FIG. 1

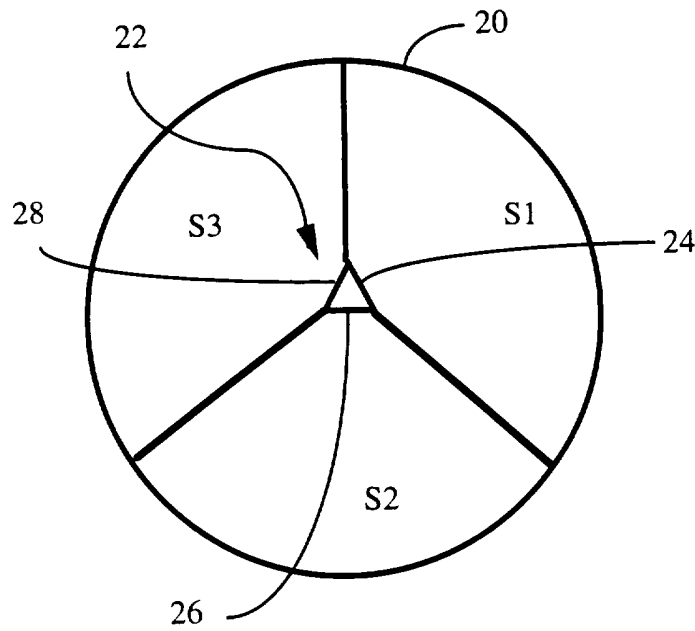


FIG. 2

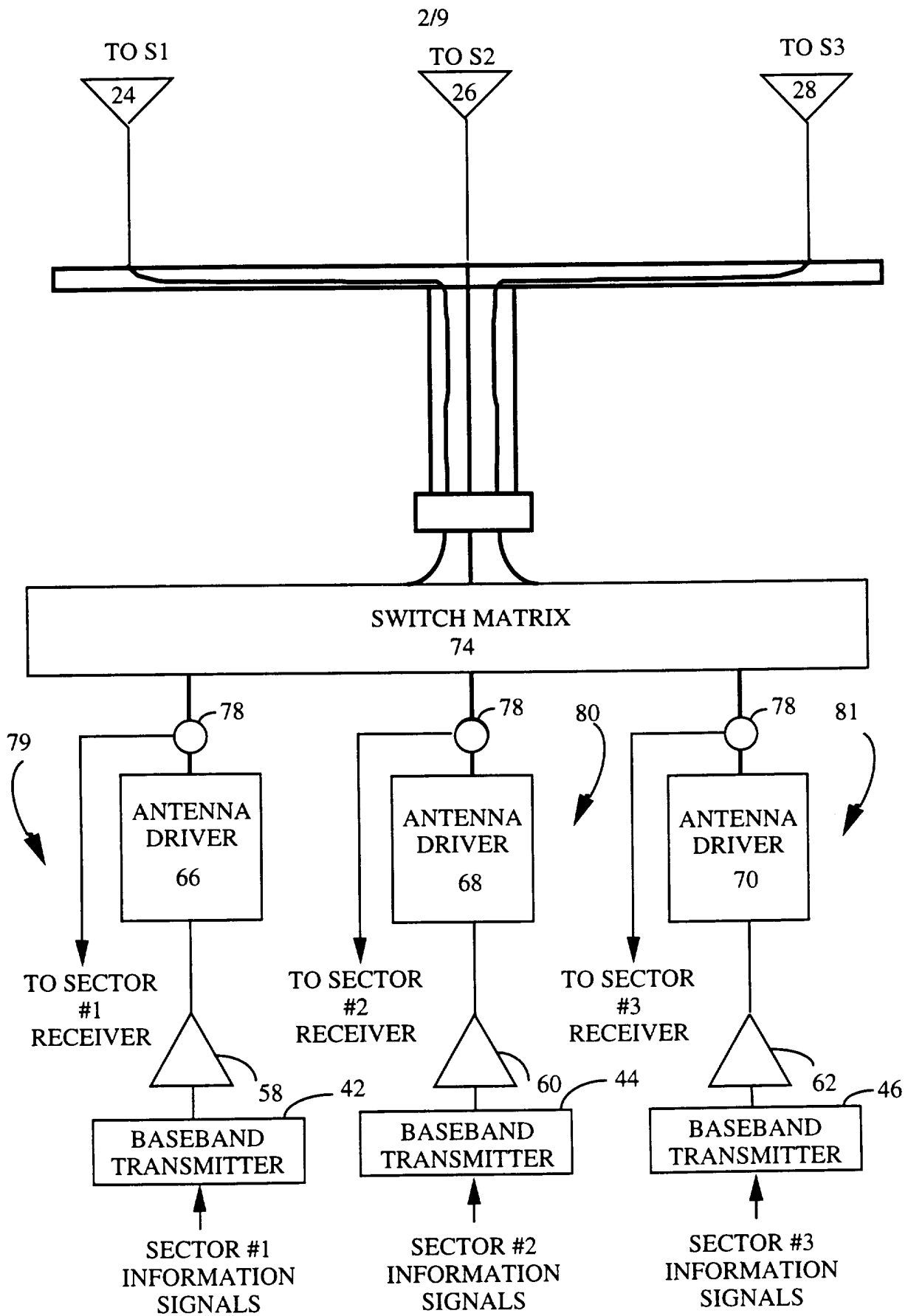


FIG. 3

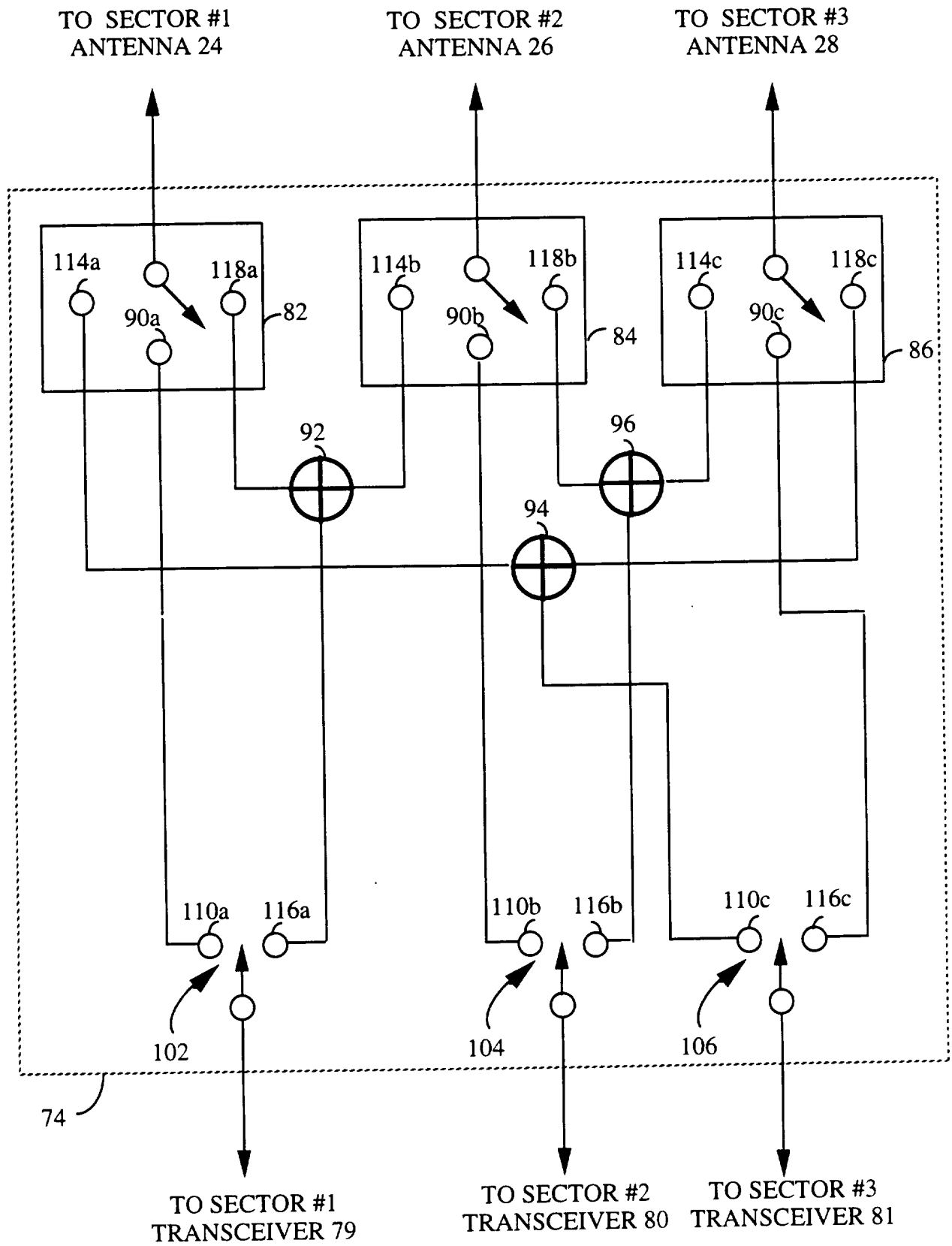


FIG. 4
SUBSTITUTE SHEET (RULE 26)

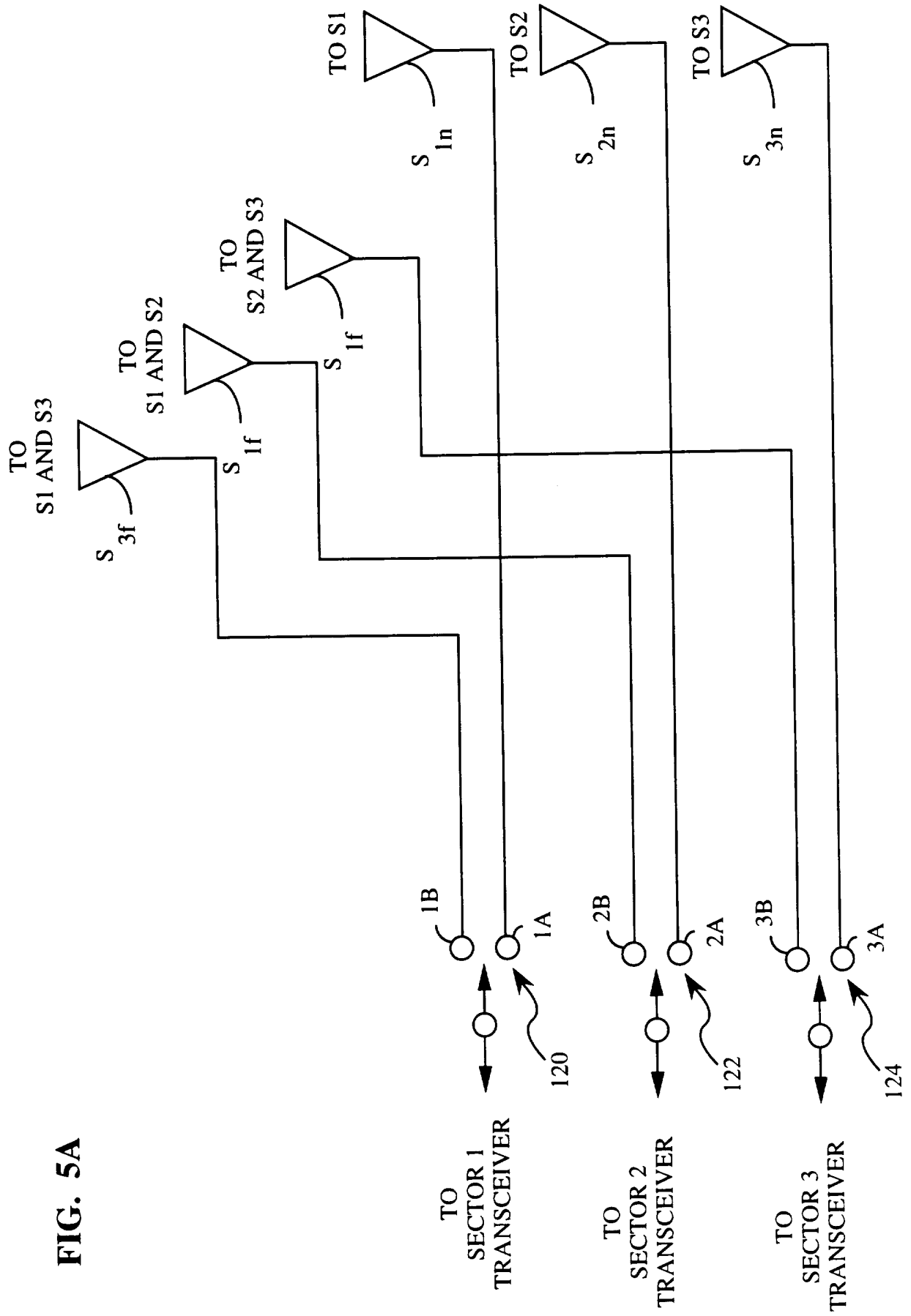
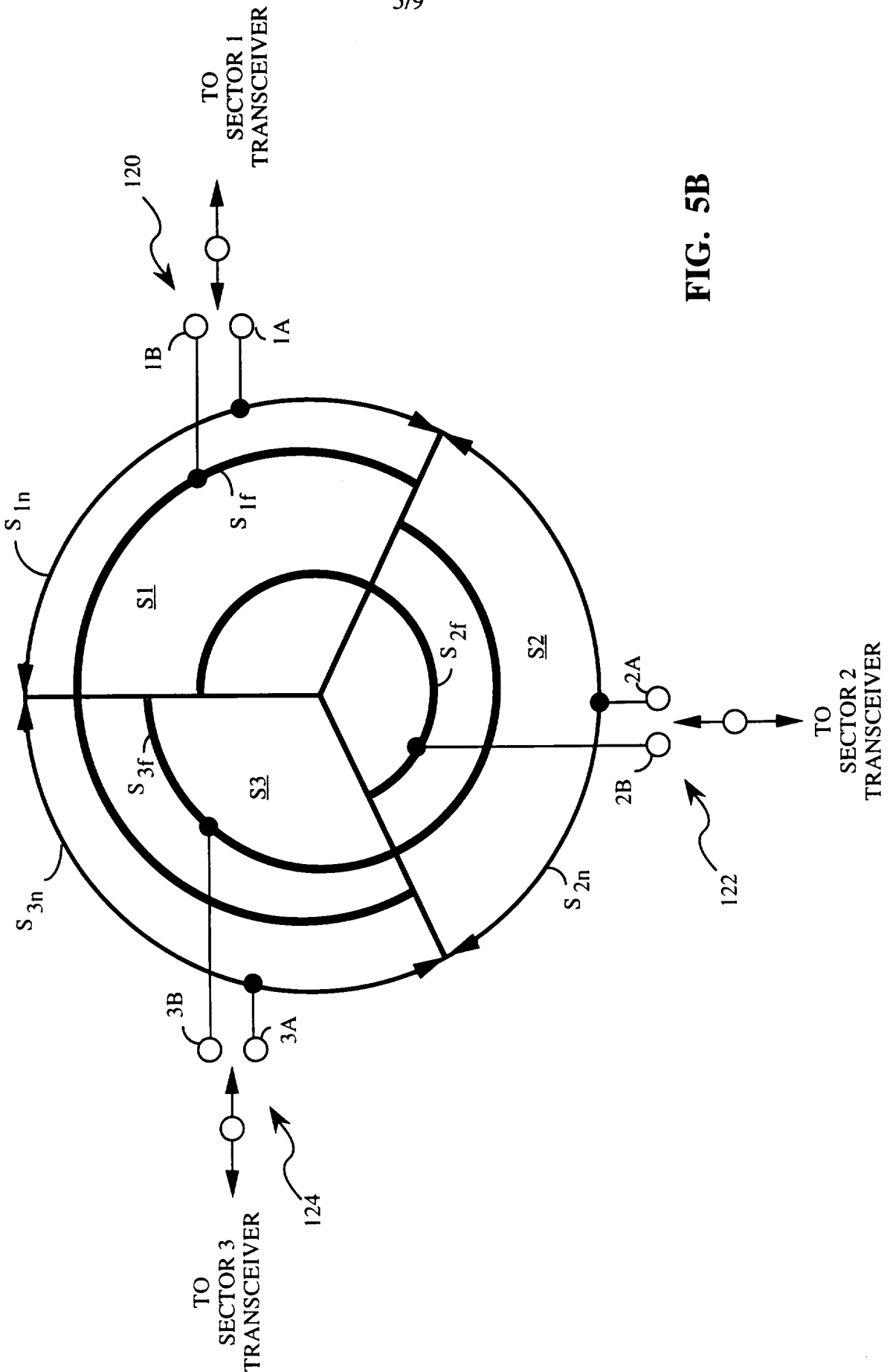


FIG. 5A



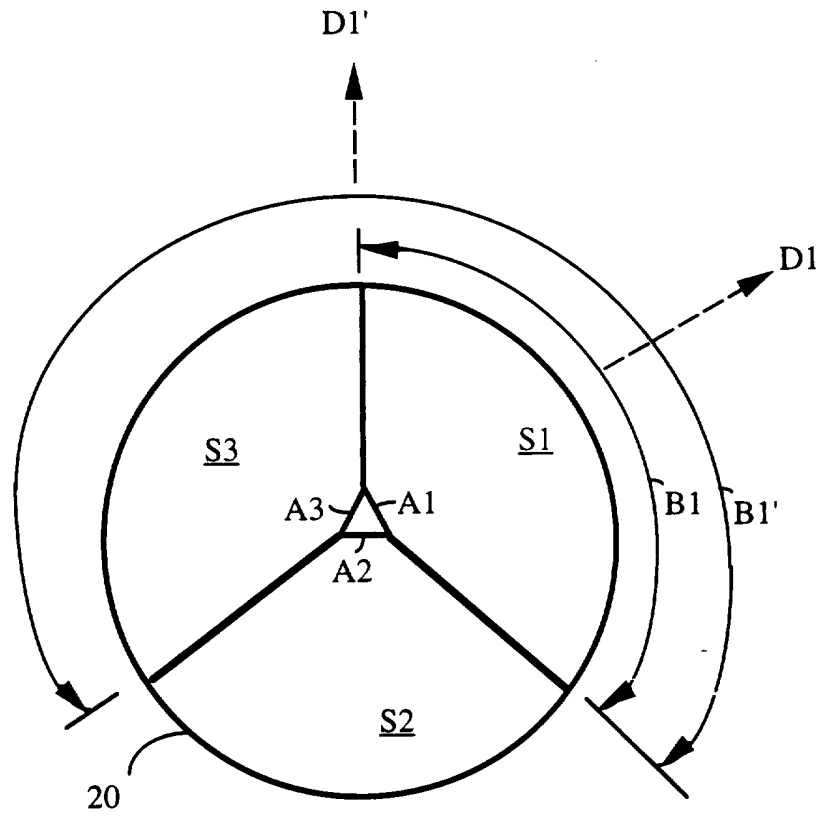


FIG. 6

7/9

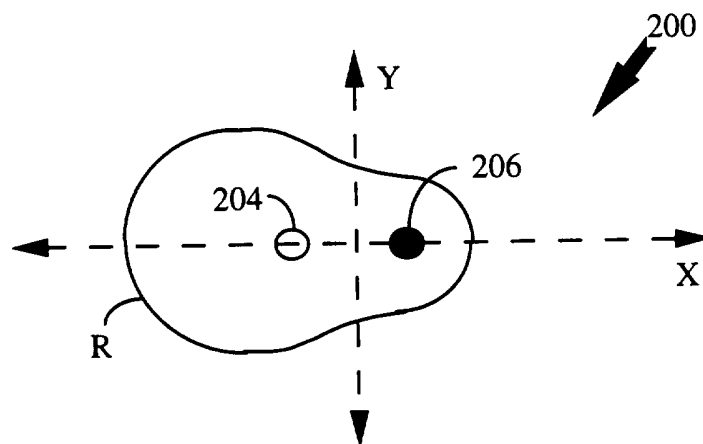


FIG. 7A

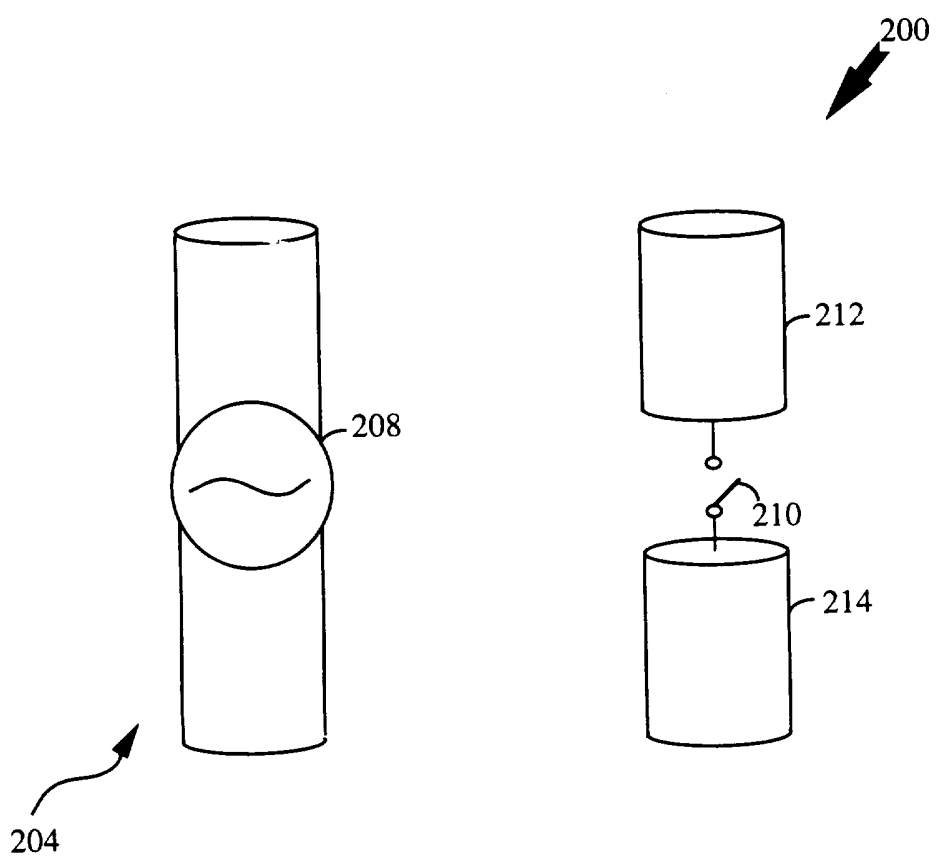


FIG. 7B

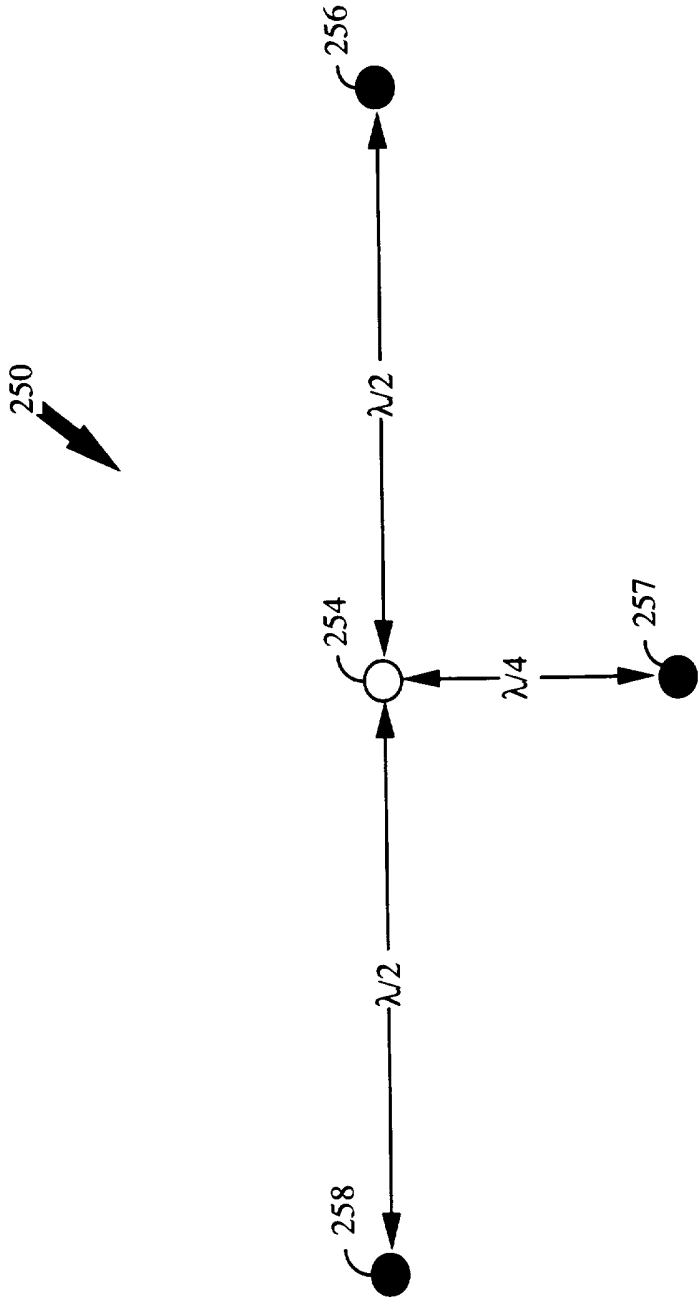
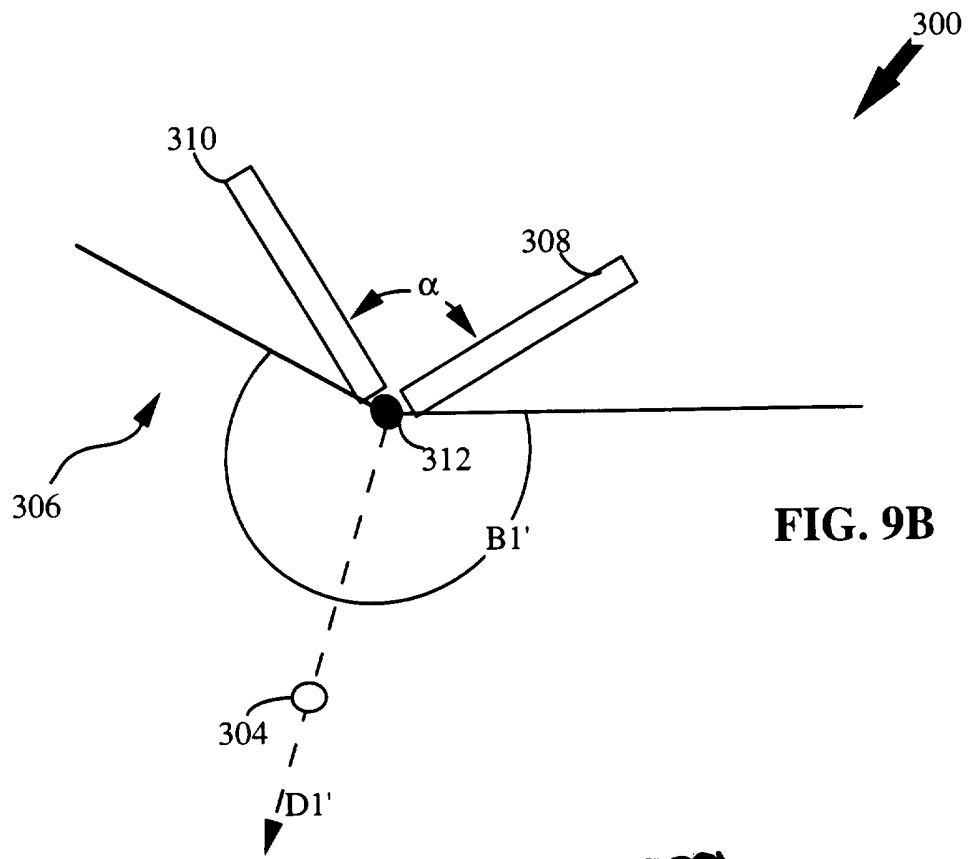
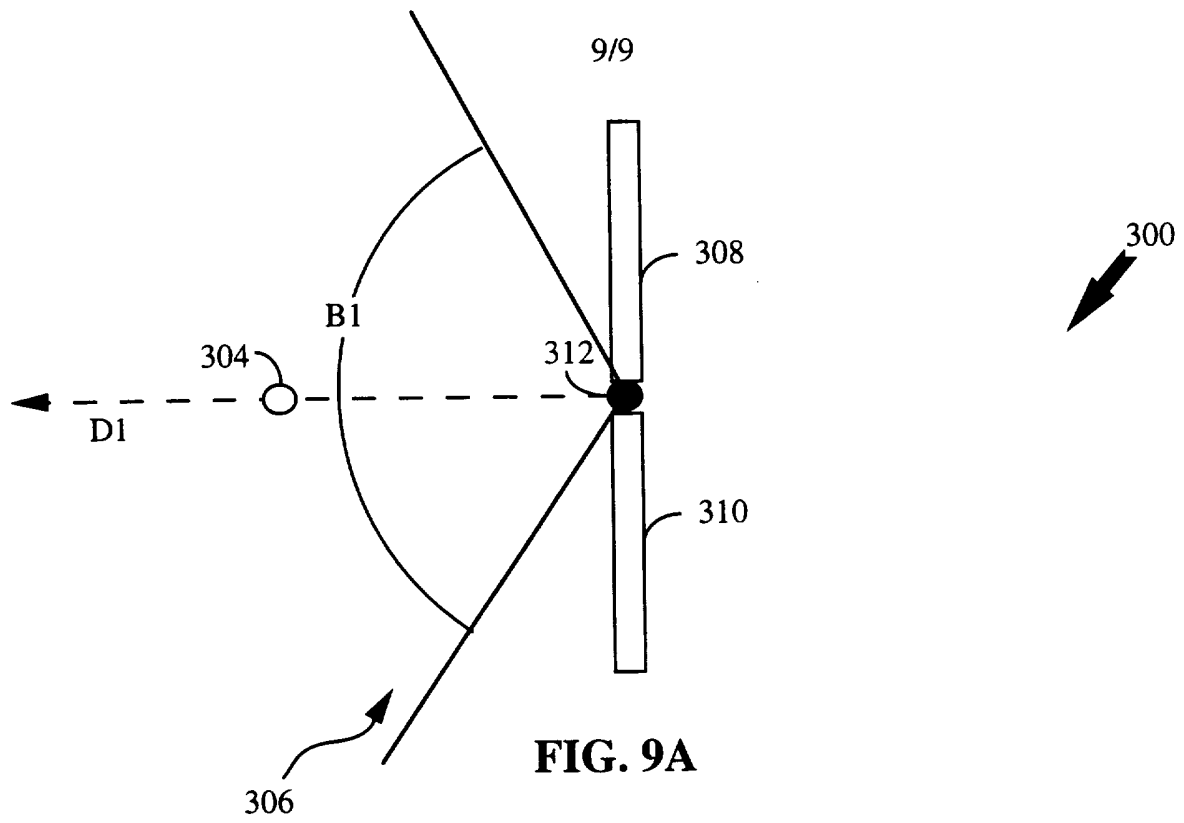


FIG. 8



SUBSTITUTE SHEET (RULE 26)

INTERNATIONAL SEARCH REPORT

Inv. No. Application No
PCT/US 95/15533

A. CLASSIFICATION OF SUBJECT MATTER
IPC 6 H04Q7/36 H01Q3/24 H04B1/74

According to International Patent Classification (IPC) or to both national classification and IPC

B. FIELDS SEARCHED

Minimum documentation searched (classification system followed by classification symbols)
IPC 6 H04Q H04B H01Q

Documentation searched other than minimum documentation to the extent that such documents are included in the fields searched

Electronic data base consulted during the international search (name of data base and, where practical, search terms used)

C. DOCUMENTS CONSIDERED TO BE RELEVANT

Category *	Citation of document, with indication, where appropriate, of the relevant passages	Relevant to claim No.
A	EP,A,0 416 872 (MOTOROLA INC.) 13 March 1991 see column 3, line 16 - column 4, line 45 ---	1
A	WO,A,92 12601 (MOTOROLA, INC.) 23 July 1992 see page 11, line 4 - line 32 -----	8,16,19, 20

Further documents are listed in the continuation of box C.

Patent family members are listed in annex.

* Special categories of cited documents :

- * "A" document defining the general state of the art which is not considered to be of particular relevance
- * "E" earlier document but published on or after the international filing date
- * "L" document which may throw doubts on priority claim(s) or which is cited to establish the publication date of another citation or other special reason (as specified)
- * "O" document referring to an oral disclosure, use, exhibition or other means
- * "P" document published prior to the international filing date but later than the priority date claimed

- * "T" later document published after the international filing date or priority date and not in conflict with the application but cited to understand the principle or theory underlying the invention
- * "X" document of particular relevance; the claimed invention cannot be considered novel or cannot be considered to involve an inventive step when the document is taken alone
- * "Y" document of particular relevance; the claimed invention cannot be considered to involve an inventive step when the document is combined with one or more other such documents, such combination being obvious to a person skilled in the art.
- * "&" document member of the same patent family

Date of the actual completion of the international search

22 April 1996

Date of mailing of the international search report

0 6. 05. 96

Name and mailing address of the ISA
European Patent Office, P.B. 5818 Patentlaan 2
NL - 2280 HV Rijswijk
Tel. (+ 31-70) 340-2040, Tx. 31 651 epo nl,
Fax: (+ 31-70) 340-3016

Authorized officer

Behringer, L.V.

INTERNATIONAL SEARCH REPORT

Information on patent family members

International Application No

PCT/US 95/15533

Patent document cited in search report	Publication date	Patent family member(s)	Publication date
EP-A-0416872	13-03-91	US-A- 5021801	04-06-91
		US-E- RE34796	22-11-94

WO-A-9212601	23-07-92	US-A- 5276907	04-01-94
		BR-A- 9107266	05-04-94
		CA-A- 2098579	08-07-92
		CN-A- 1063790	19-08-92
		EP-A- 0566674	27-10-93
		IL-A- 100569	29-06-95
		JP-T- 6504170	12-05-94
