

[54] PORTABLE COMPUTER WITH A DISPLAY SCREEN

[75] Inventor: Alan K. Lund, Lee's Summit, Mo.

[73] Assignee: Memory Plus, Inc., Lee's Summit, Mo.

[**] Term: 14 Years

[21] Appl. No.: 421,691

[22] Filed: Oct. 16, 1989

[52] U.S. Cl. D14/100

[58] Field of Search D14/100, 101, 106, 113, D14/114, 115, 105, 107; D18/1, 7; 235/145 A, 145 R; 178/18, 19; 340/700, 706, 711, 712; 341/22, 23, 26; 369/56; 358/248, 249, 254; 364/706-710.14, 200, 900; 400/477, 479

[56] References Cited

U.S. PATENT DOCUMENTS

- D. 284,084 6/1986 Ferrara, Jr. D14/114
- D. 303,111 8/1989 Paley D14/100
- D. 304,032 10/1989 Fine et al. D14/113
- D. 307,134 4/1990 Makidera D14/100
- D. 313,793 1/1991 Kato D14/100

- 4,545,023 10/1985 Mizzi 364/709.13
- 4,725,694 2/1988 Auer et al. 340/712 X
- 4,814,760 3/1989 Johnston et al. 340/706 X
- 4,862,151 8/1989 Grauz et al. 340/712 X

Primary Examiner—Wallace R. Burke
Assistant Examiner—Freda S. Nunn
Attorney, Agent, or Firm—Litman, McMahon & Brown

[57] CLAIM

The ornamental design for a portable computer with a display screen, as shown and described.

DESCRIPTION

FIG. 1 is a perspective view of a portable computer with a display screen showing my new design;
 FIG. 2 is a top plan view thereof on a reduced scale;
 FIG. 3 is a right side elevational view thereof on a reduced scale;
 FIG. 4 is a front elevational view thereof on a reduced scale;
 FIG. 5 is a left side elevational view thereof on a reduced scale;
 FIG. 6 is a rear elevational view thereof on a reduced scale;
 FIG. 7 is a bottom plan view thereof on a reduced scale.

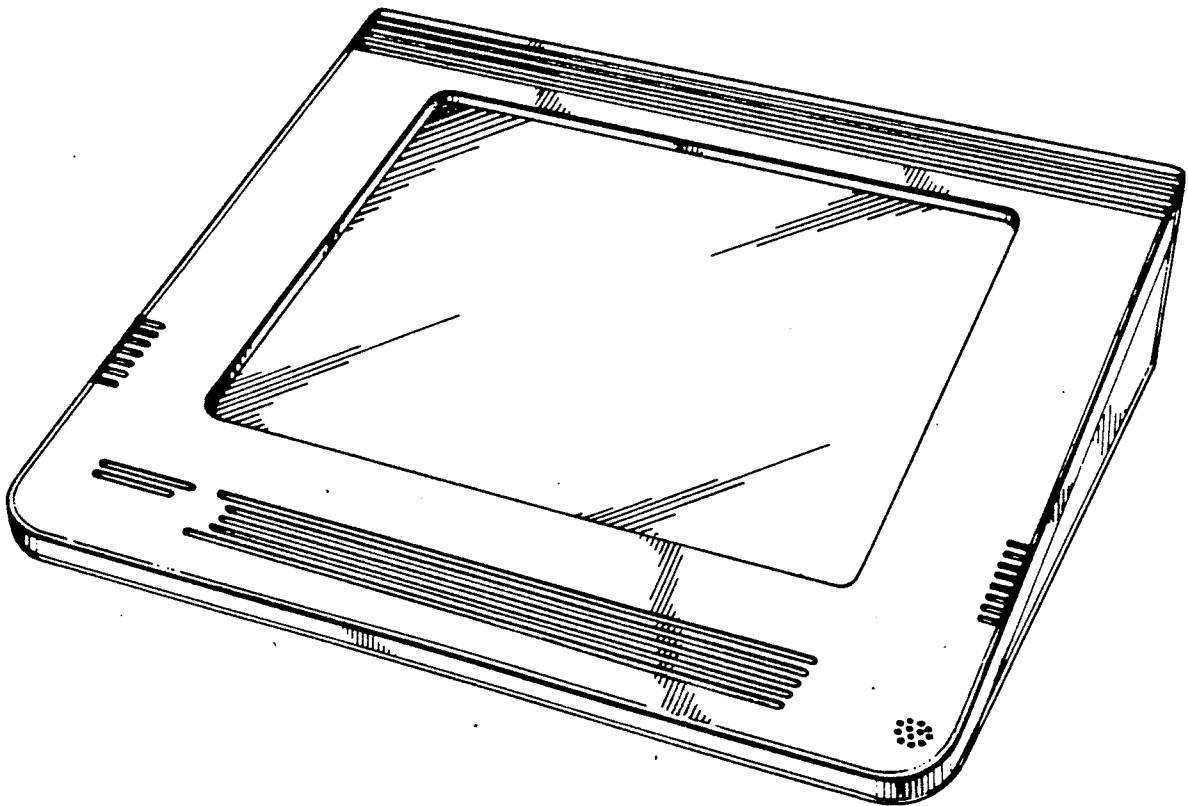


Fig. 1.

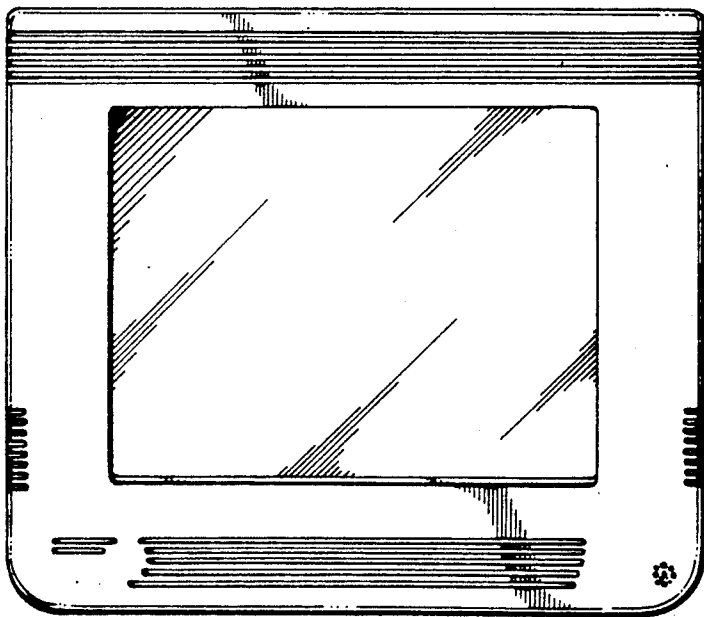
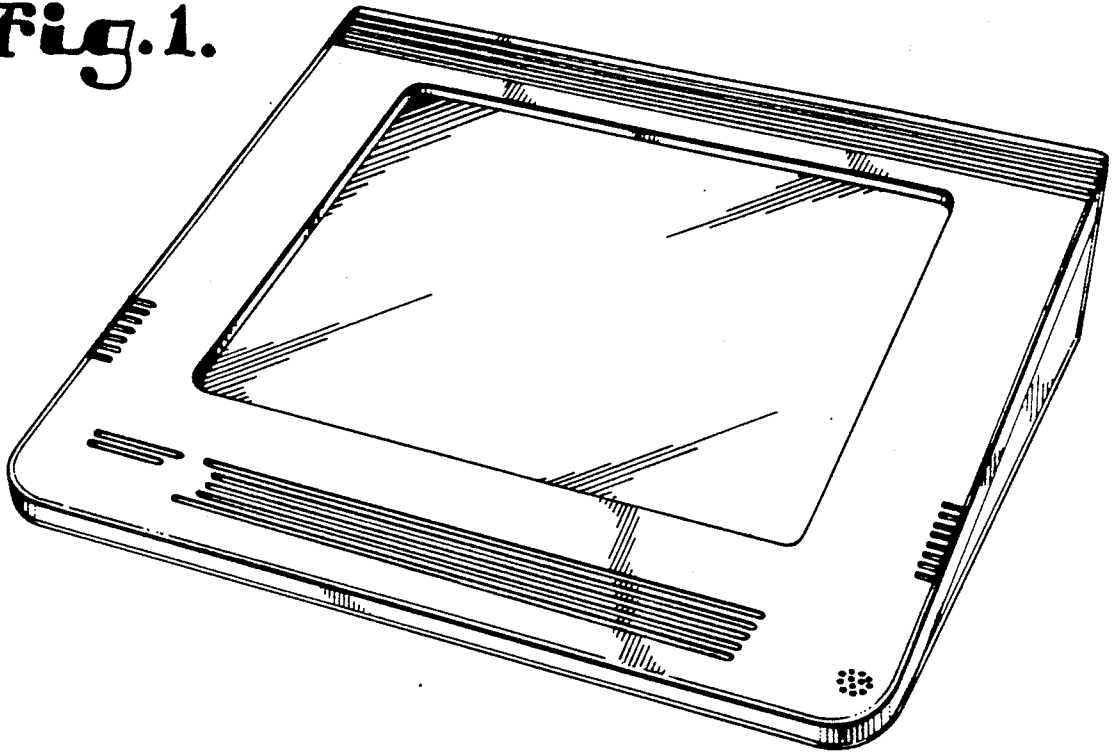


Fig. 2.

Fig. 3.

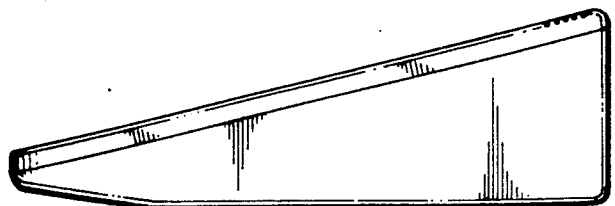


Fig. 4.

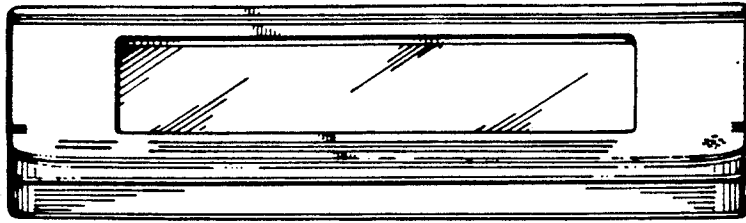


Fig. 5.

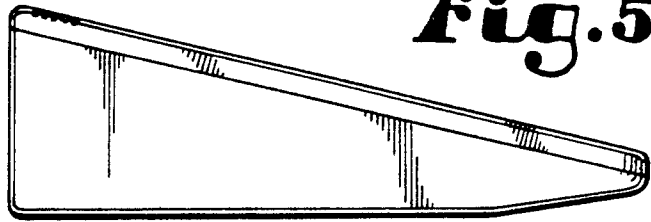


Fig. 6.

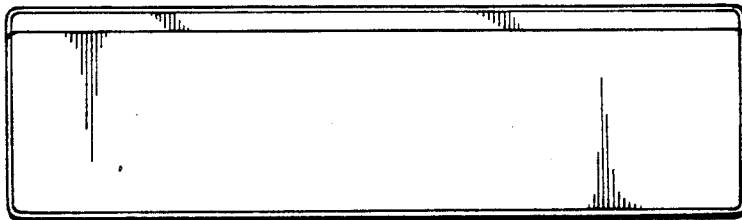


Fig. 7.

