

(19) World Intellectual Property Organization  
International Bureau



(43) International Publication Date  
22 May 2009 (22.05.2009)

PCT

(10) International Publication Number  
WO 2009/064095 A3

(51) International Patent Classification:  
H02K 5/16 (2006.01)

(21) International Application Number:  
PCT/KR2008/006625

(22) International Filing Date:  
10 November 2008 (10.11.2008)

(25) Filing Language: Korean

(26) Publication Language: English

(30) Priority Data:  
10-2007-0114826  
12 November 2007 (12.11.2007) KR

(71) Applicant (for all designated States except US): LG INNOTEK CO., LTD. [KR/KR]; 33rd Fl., LG Twin Tower West, 20, Yeouido-dong, Yeongdeungpo-gu, Seoul 150-721 (KR).

(72) Inventors; and

(75) Inventors/Applicants (for US only): KIM, Do Hyun [KR/KR]; 1149, Bono-dong, Sangrok-gu, Ansan-si, Gyeonggi-do 426-180 (KR). RYU, Jun Hee [KR/KR]; 202-1003 Woobang Sinsege Apt., Sangmo-dong, Gumi-si, Gyeongbuk 730-766 (KR). MUN, Byung Hee [KR/KR]; 206-203 Grand World Daewoo2cha Apt., I-dong, Sangrok-gu, Ansan-si, Gyeonggi-do 426-872 (KR). PARK, Young Il [KR/KR]; 112-603 Daelim Apt., MujigaeMaeul, 954, Dang-dong, Gunpo-si, Gyeonggi-do 435-010 (KR).

(74) Agent: HAW, Yong Noke; 6th Fl., Hyun Juk Bldg., 832-41 Yeoksam-dong, Gangnam-gu, Seoul 135-080 (KR).

(81) Designated States (unless otherwise indicated, for every kind of national protection available): AE, AG, AL, AM, AO, AT, AU, AZ, BA, BB, BG, BH, BR, BW, BY, BZ, CA, CH, CN, CO, CR, CU, CZ, DE, DK, DM, DO, DZ, EC, EE, EG, ES, FI, GB, GD, GE, GH, GM, GT, HN, HR, HU, ID, IL, IN, IS, JP, KE, KG, KM, KN, KP, KZ, LA, LC, LK, LR, LS, LT, LU, LY, MA, MD, ME, MG, MK, MN, MW, MX, MY, MZ, NA, NG, NI, NO, NZ, OM, PG, PH, PL, PT, RO, RS, RU, SC, SD, SE, SG, SK, SL, SM, ST, SV, SY, TJ, TM, TN, TR, TT, TZ, UA, UG, US, UZ, VC, VN, ZA, ZM, ZW.

(84) Designated States (unless otherwise indicated, for every kind of regional protection available): ARIPO (BW, GH, GM, KE, LS, MW, MZ, NA, SD, SL, SZ, TZ, UG, ZM, ZW), Eurasian (AM, AZ, BY, KG, KZ, MD, RU, TJ, TM), European (AT, BE, BG, CH, CY, CZ, DE, DK, EE, ES, FI, FR, GB, GR, HR, HU, IE, IS, IT, LT, LU, LV, MC, MT, NL, NO, PL, PT, RO, SE, SI, SK, TR), OAPI (BF, BJ, CF, CG, CI, CM, GA, GN, GQ, GW, ML, MR, NE, SN, TD, TG).

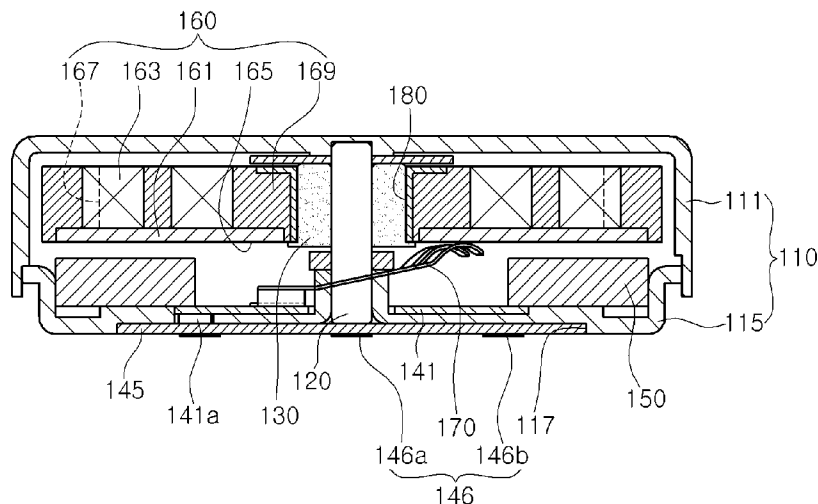
Published:

- with international search report
- before the expiration of the time limit for amending the claims and to be republished in the event of receipt of amendments

(88) Date of publication of the international search report:  
2 July 2009

(54) Title: ROTOR AND VIBRATION MOTOR

[Fig. 1]





(57) Abstract: A rotor is provided. The rotor includes a bearing yoke, a supporting member, a rotor substrate, a coil, and a weight coupled to the supporting member. The supporting member is coupled to the bearing yoke. The rotor substrate is supported by the supporting member. The coil is supported by the supporting member and electrically connected to the rotor substrate. The weight is coupled to the supporting member.

WO 2009/064095 A3

## INTERNATIONAL SEARCH REPORT

International application No.  
**PCT/KR2008/006625**

<b>A. CLASSIFICATION OF SUBJECT MATTER</b>		
<i>H02K 5/16(2006.01)i</i>		
According to International Patent Classification (IPC) or to both national classification and IPC		
<b>B. FIELDS SEARCHED</b>		
Minimum documentation searched (classification system followed by classification symbols) IPC 8: H02K 5/16, 7/065, 7/075		
Documentation searched other than minimum documentation to the extent that such documents are included in the fields searched Korean Utility models and applications for Utility Models since 1975 Japanese Utility models and applications for Utility Models since 1975		
Electronic data base consulted during the international search (name of data base and, where practicable, search terms used) eKIPASS(KIPO internal) "vibration", "motor", "bearing", "yoke"		
<b>C. DOCUMENTS CONSIDERED TO BE RELEVANT</b>		
Category*	Citation of document, with indication, where appropriate, of the relevant passages	Relevant to claim No.
A	KR 10-2003-0077934 A (SAMSUNG ELECTRO-MECHANICS CO., LTD.) 04 October 2003 See the abstract; figure 5	1-19
A	KR 10-1999-0050520 A (SAMSUNG ELECTRO-MECHANICS CO., LTD.) 05 July 1999 See the abstract; figure 5	1-19
A	KR 10-2007-0046307 A (MOTOR TECHNOLOGY CO., LTD.) 03 May 2007 See the abstract; figure 2	1-19
<input type="checkbox"/> Further documents are listed in the continuation of Box C. <input checked="" type="checkbox"/> See patent family annex.		
<p>* Special categories of cited documents:</p> <p>"A" document defining the general state of the art which is not considered to be of particular relevance</p> <p>"E" earlier application or patent but published on or after the international filing date</p> <p>"L" document which may throw doubts on priority claim(s) or which is cited to establish the publication date of citation or other special reason (as specified)</p> <p>"O" document referring to an oral disclosure, use, exhibition or other means</p> <p>"P" document published prior to the international filing date but later than the priority date claimed</p> <p>"T" later document published after the international filing date or priority date and not in conflict with the application but cited to understand the principle or theory underlying the invention</p> <p>"X" document of particular relevance; the claimed invention cannot be considered novel or cannot be considered to involve an inventive step when the document is taken alone</p> <p>"Y" document of particular relevance; the claimed invention cannot be considered to involve an inventive step when the document is combined with one or more other such documents, such combination being obvious to a person skilled in the art</p> <p>"&amp;" document member of the same patent family</p>		
Date of the actual completion of the international search 18 MAY 2009 (18.05.2009)		Date of mailing of the international search report <b>19 MAY 2009 (19.05.2009)</b>
Name and mailing address of the ISA/KR  Korean Intellectual Property Office Government Complex-Daejeon, 139 Seonsa-ro, Seo-gu, Daejeon 302-701, Republic of Korea Facsimile No. 82-42-472-7140		Authorized officer HAN, SANG IL Telephone No. 82-42-481-8185 

**INTERNATIONAL SEARCH REPORT**

Information on patent family members

International application No.

**PCT/KR2008/006625**

Patent document cited in search report	Publication date	Patent family member(s)	Publication date		
KR 10-2003-0077934 A	04.10.2003	CN 1447495 A	08.10.2003		
		DE 10260273 A1	16.10.2003		
		FI 20022211 00	17.12.2002		
		FI 20022211 A	26.09.2003		
		FR 2837633 A1	26.09.2003		
		JP 2003-285009	07.10.2003		
		JP 2003-285009 A	07.10.2003		
		TW 588494 B	21.05.2004		
		TW 588494 A	21.05.2004		
		US 2003-0178902 A1	25.09.2003		
		US 2003-178902 A1	25.09.2003		
		KR 10-1999-0050520 A	05.07.1999	None	
		KR 10-2007-0046307 A	03.05.2007	None	