



US00D995388S

(12) **United States Design Patent**
Gahlings et al.

(10) **Patent No.:** **US D995,388 S**

(45) **Date of Patent:** **** Aug. 15, 2023**

(54) **VEHICLE HANDLE**
(71) Applicant: **Caterpillar SARM**, Geneva (CH)
(72) Inventors: **Steven Gahlings**, Peterborough (GB);
Andrew Crawford, Peterborough (GB)

D844,523 S * 4/2019 Goodrich E05B 7/00
D12/169
2011/0181055 A1* 7/2011 Hidding E05B 7/00
292/228
2012/0272695 A1* 11/2012 Pickar E05B 83/44
70/91
2012/0274457 A1* 11/2012 Burns E05B 85/18
70/91

(**) Term: **15 Years**

* cited by examiner

(21) Appl. No.: **35/515,489**

Primary Examiner — Joseph Kukella

(22) Filed: **Oct. 5, 2022**

(57) **CLAIM**

The ornamental design for a vehicle handle, as shown and described.

(80) **Hague Agreement Data**

Int. Filing Date: **Oct. 5, 2022**
Int. Reg. No.: **DM/224291**
Int. Reg. Date: **Oct. 5, 2022**
Int. Reg. Pub. Date: **Oct. 28, 2022**

DESCRIPTION

(51) **LOC (14) Cl.** **08-06**

(52) **U.S. Cl.**

USPC **D12/196**

(58) **Field of Classification Search**

USPC D12/190, 195, 196
CPC B60J 5/00; B60J 5/02; B60J 5/04; B60J
5/10; B62D 25/02; B62D 25/04; B62D
33/037; E05B 85/10; E05B 85/103; E05B
85/107

See application file for complete search history.

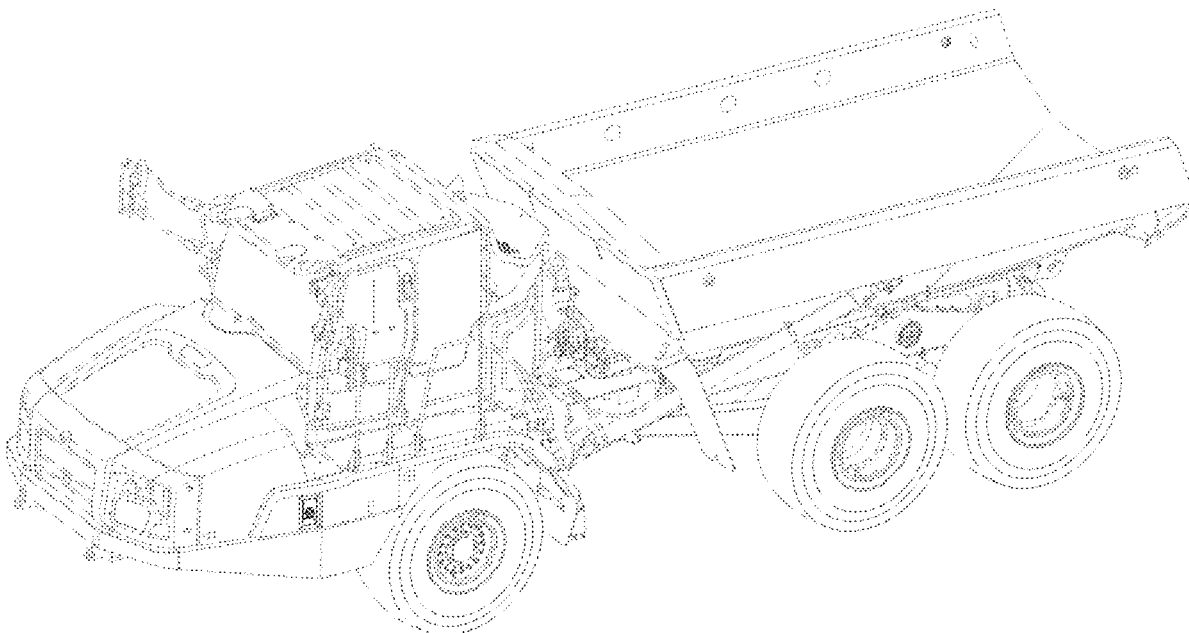
- 1. Door handle for vehicles
 - 2. Door handle for vehicles
 - 1.1 : Perspective
 - 1.2 : Front
 - 1.3 : Back
 - 1.4 : Left
 - 1.5 : Right
 - 1.6 : Top
 - 1.7 : Bottom
 - 1.8 : Perspective view in a configuration of use
 - 2.1 : Perspective
 - 2.2 : Front
 - 2.3 : Back
 - 2.4 : Left
 - 2.5 : Right
 - 2.6 : Top
 - 2.7 : Bottom
 - 2.8 : Perspective view in a configuration of use
- No claim is made to the features in broken lines; The characteristic feature of the design is the hexagonal shape.

(56) **References Cited**

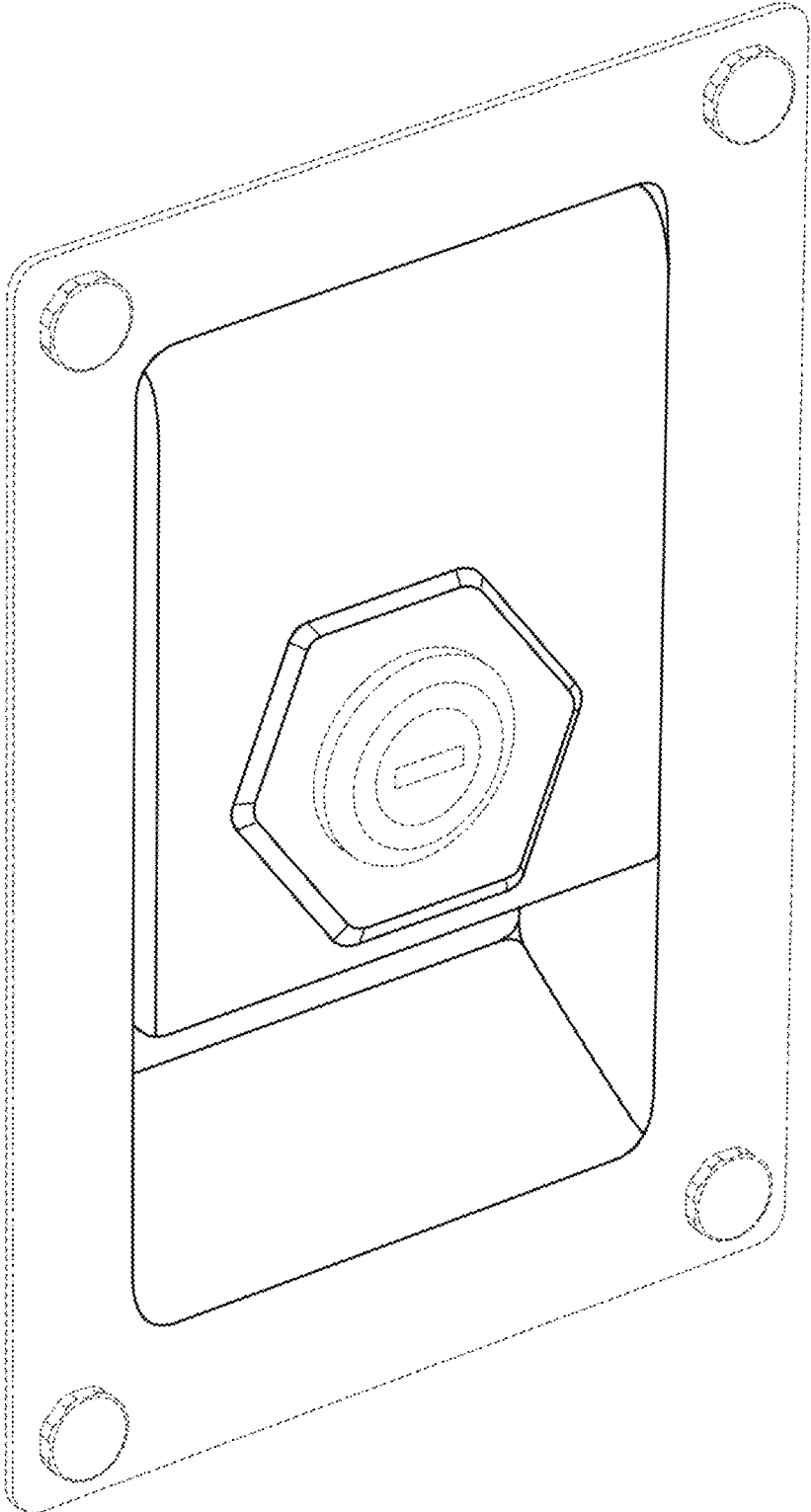
U.S. PATENT DOCUMENTS

D674,678 S * 1/2013 Pickar D8/302
D676,304 S * 2/2013 Pickar E05B 83/44
D8/302
D697,839 S * 1/2014 Le E05B 85/18
D12/162

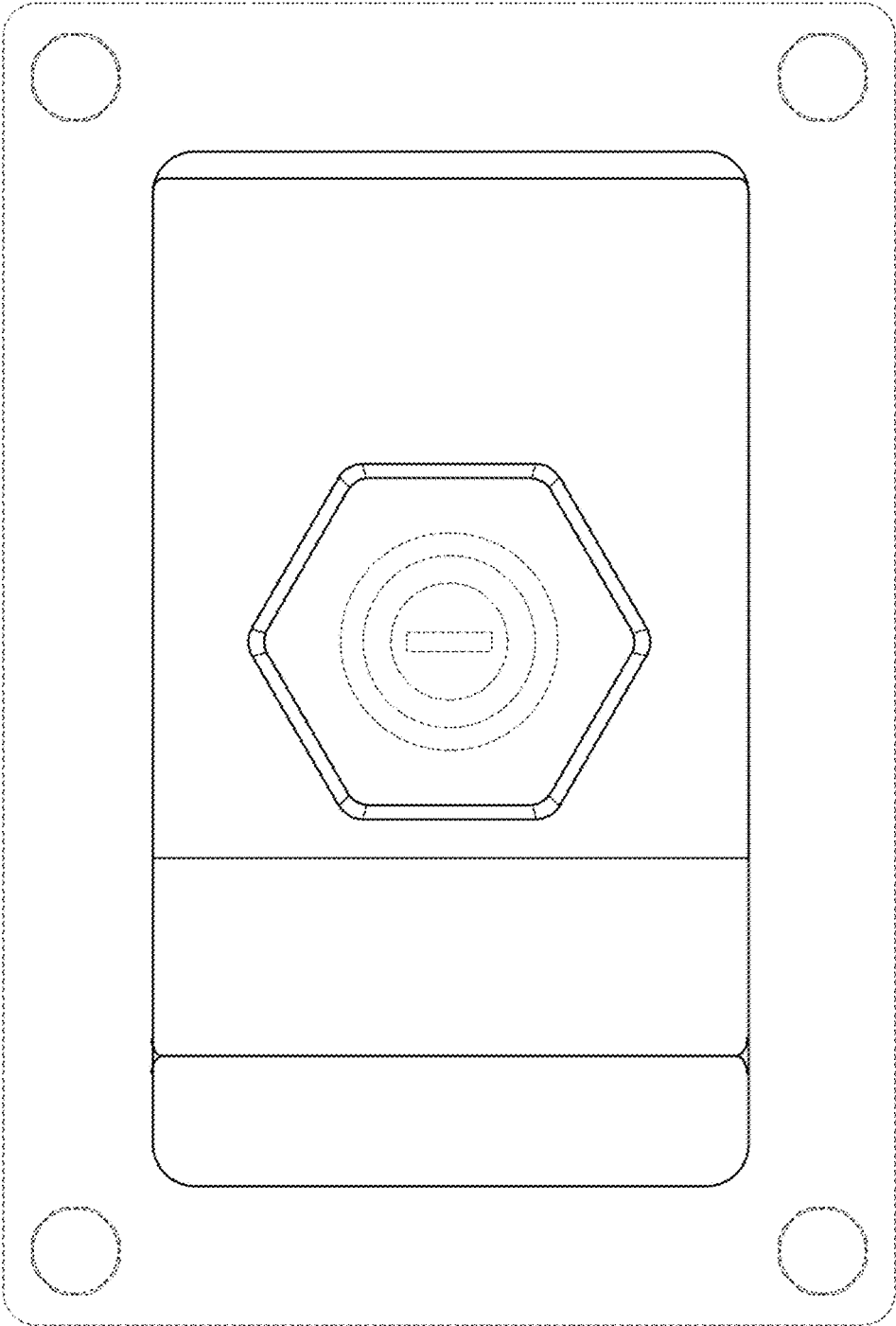
1 Claim, 16 Drawing Sheets



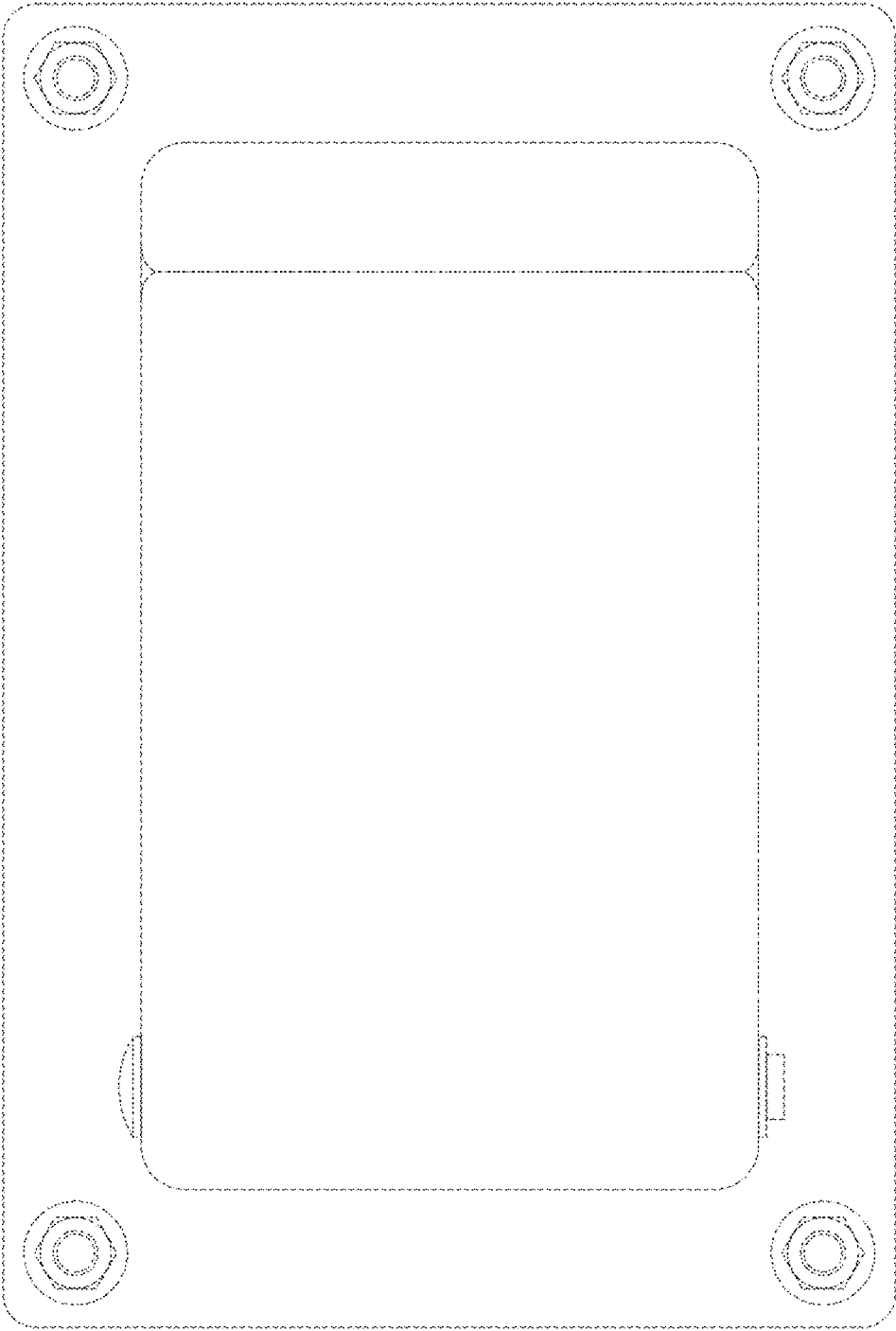
1.1



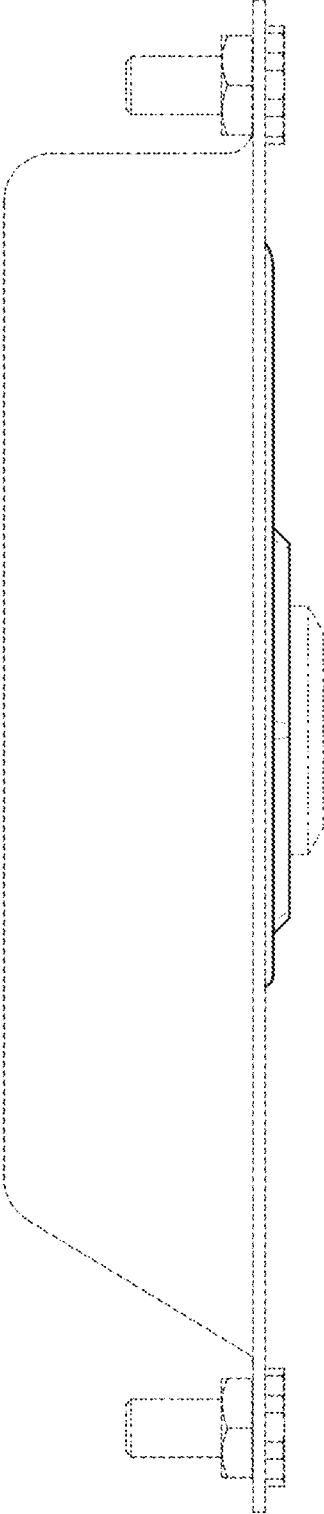
1.2



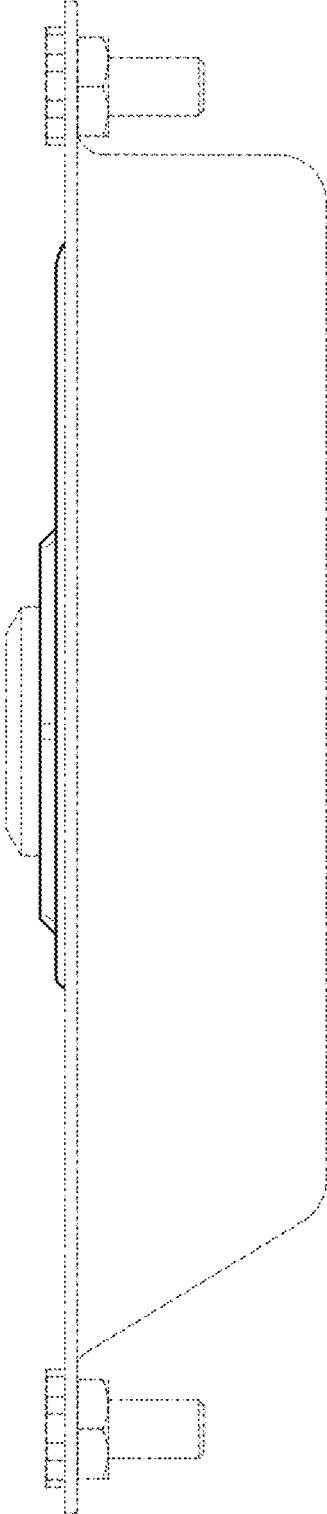
1.3



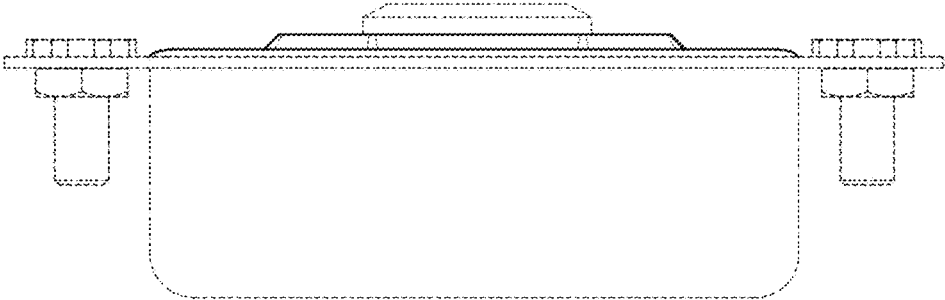
1.4



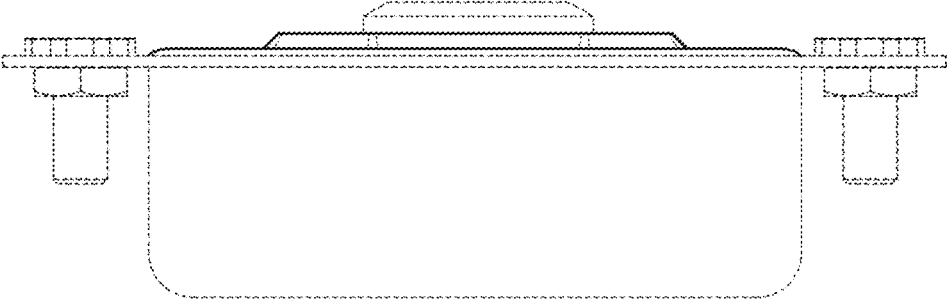
1.5



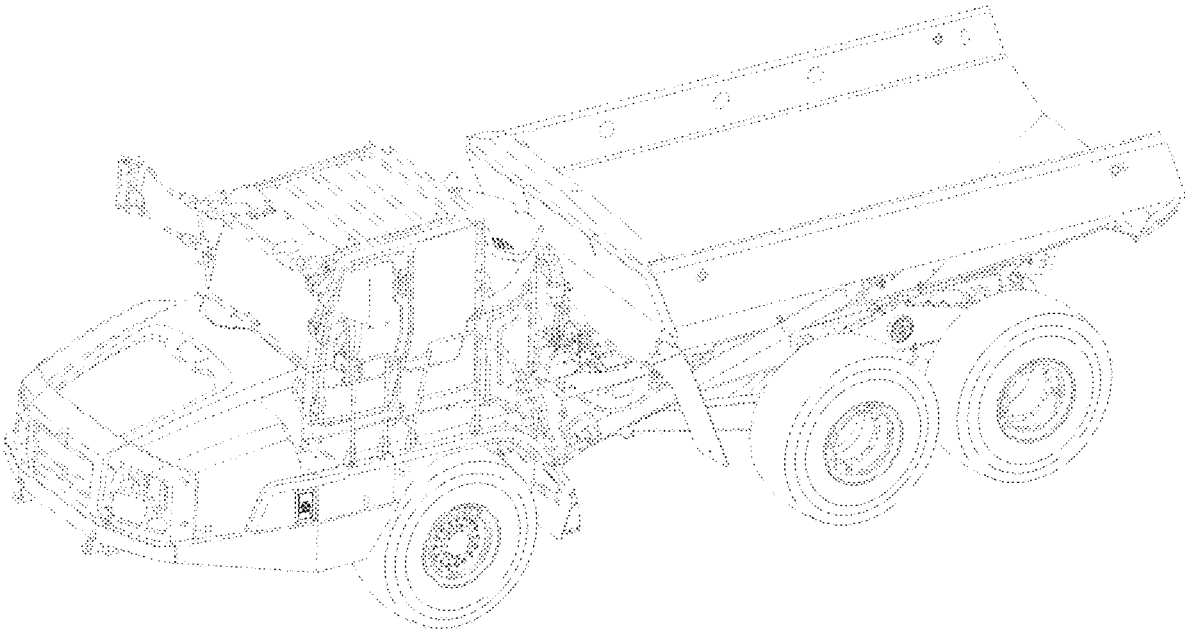
1.6



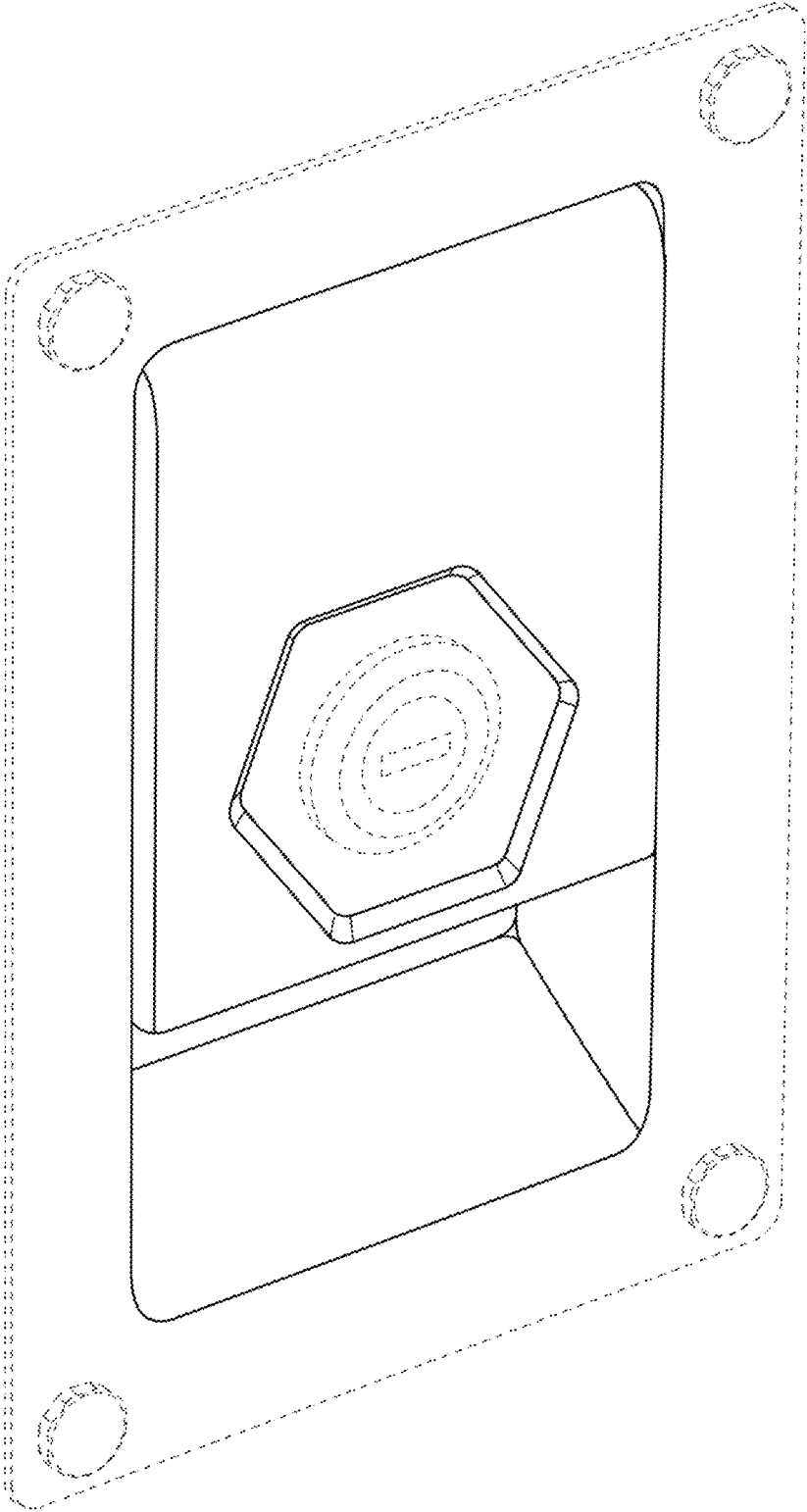
1.7



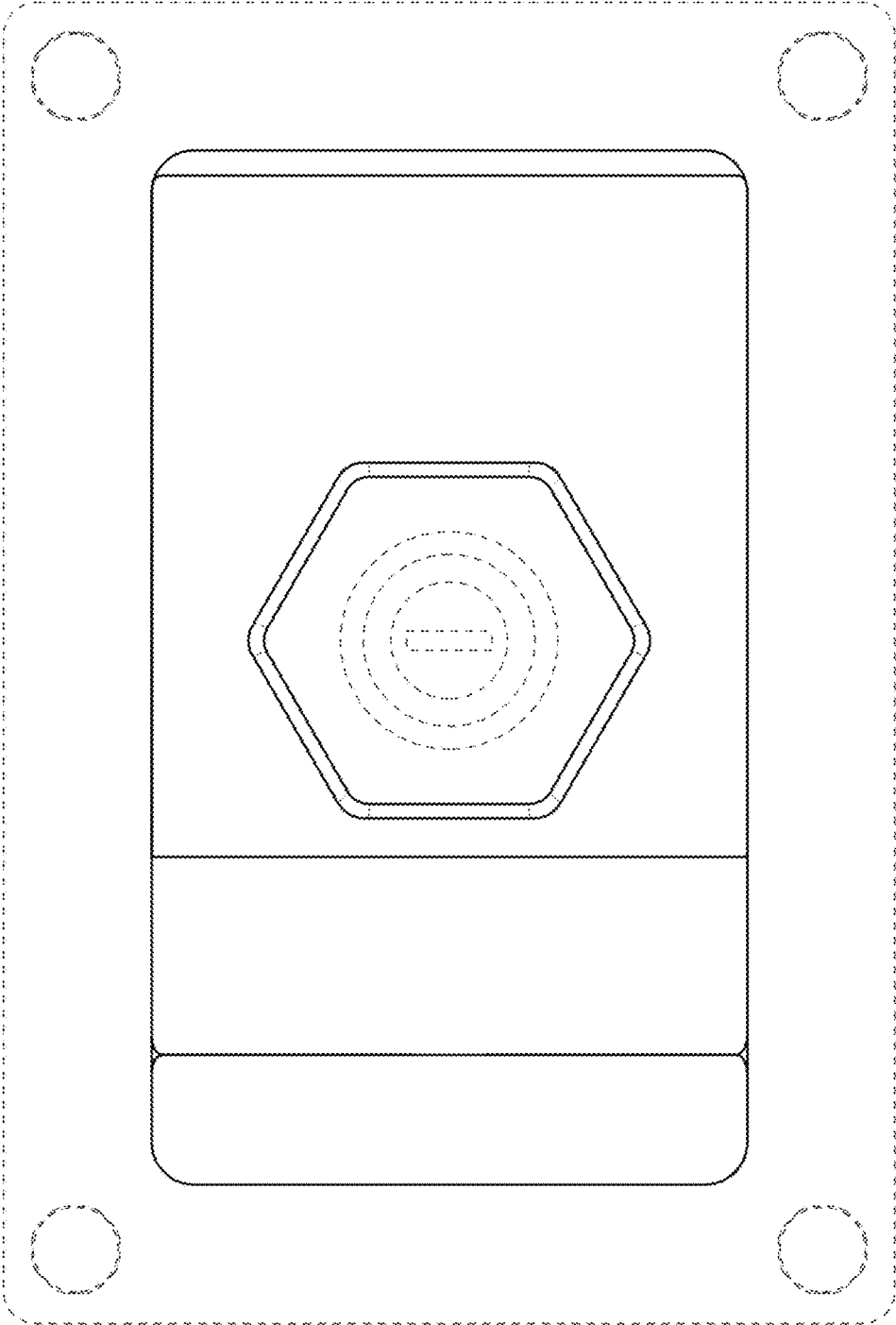
1.8



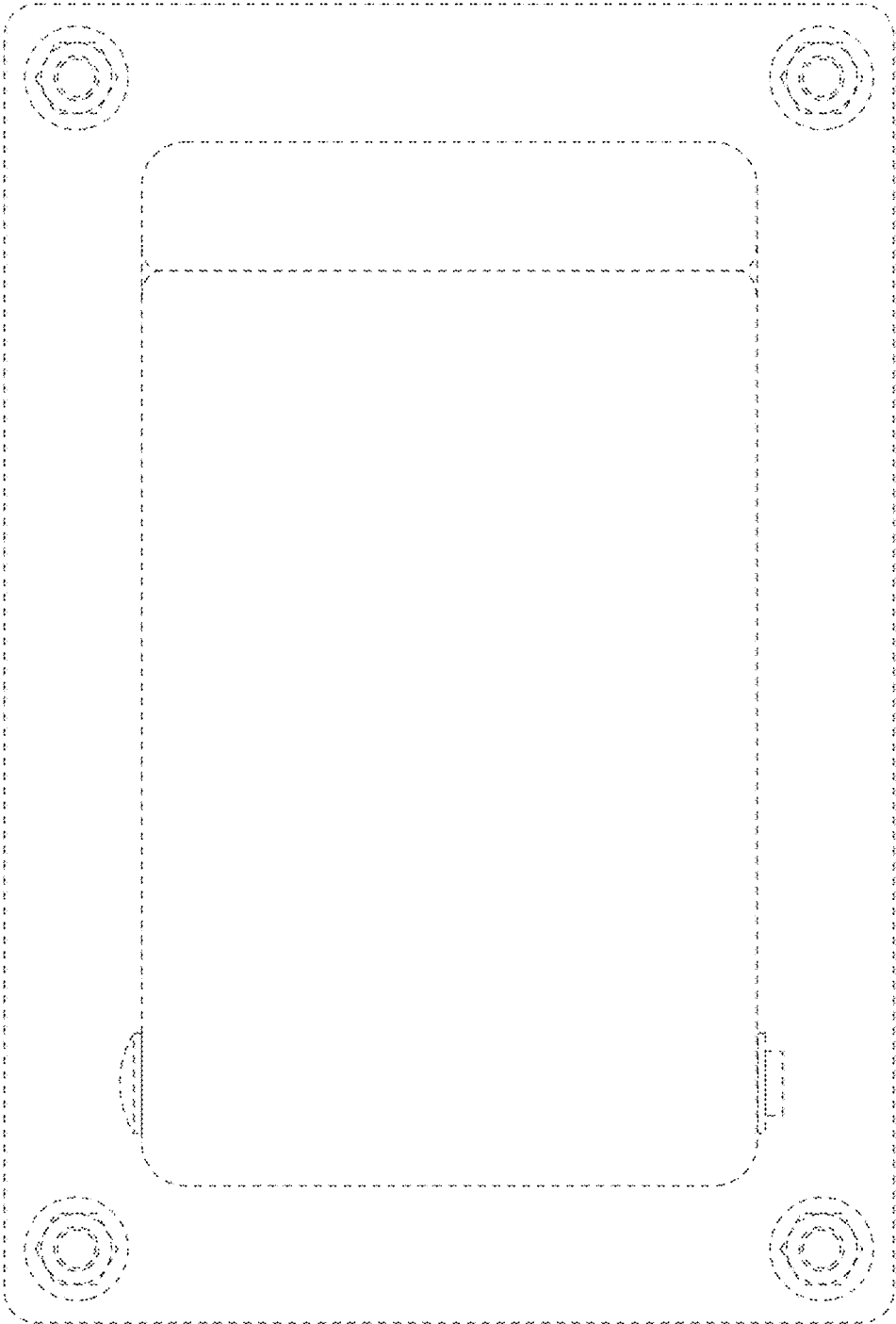
2.1



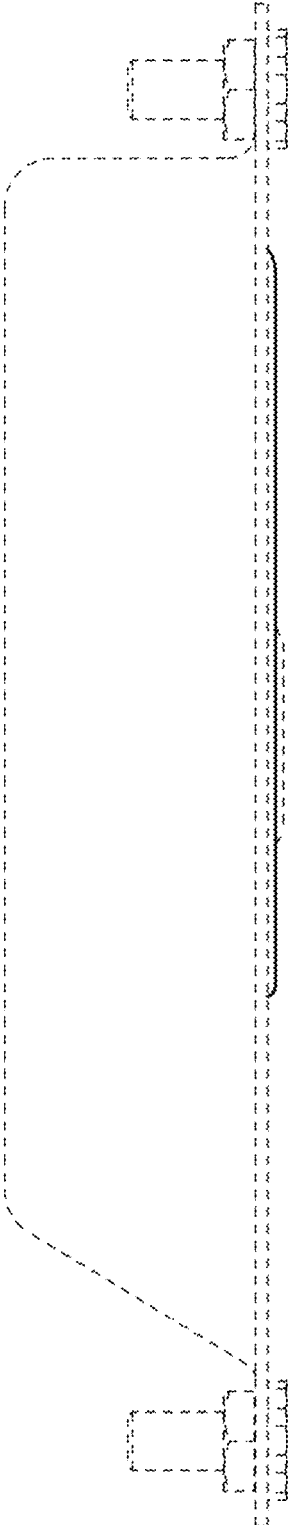
2.2



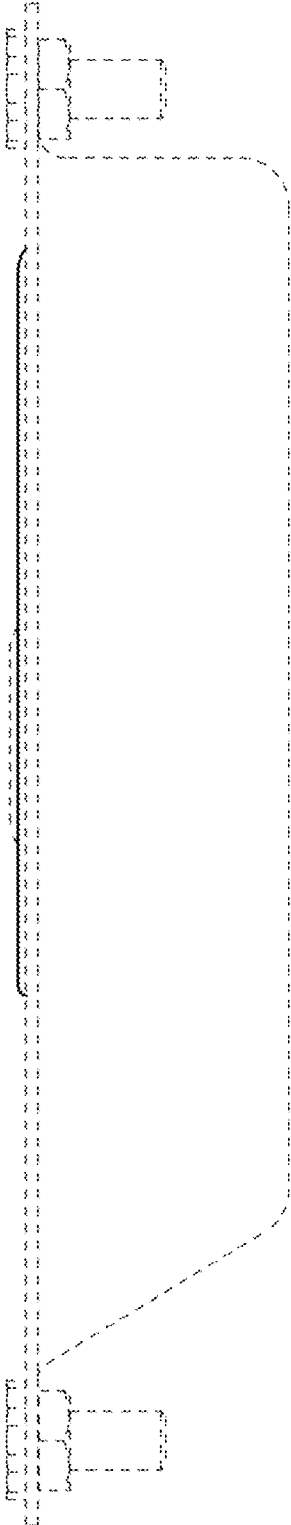
2.3



2.4



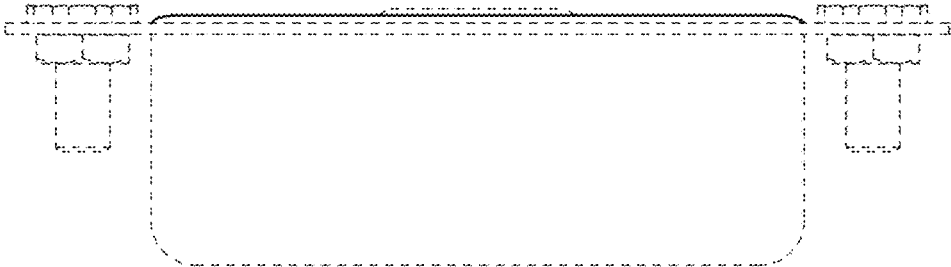
2.5



2.6



2.7



2.8

