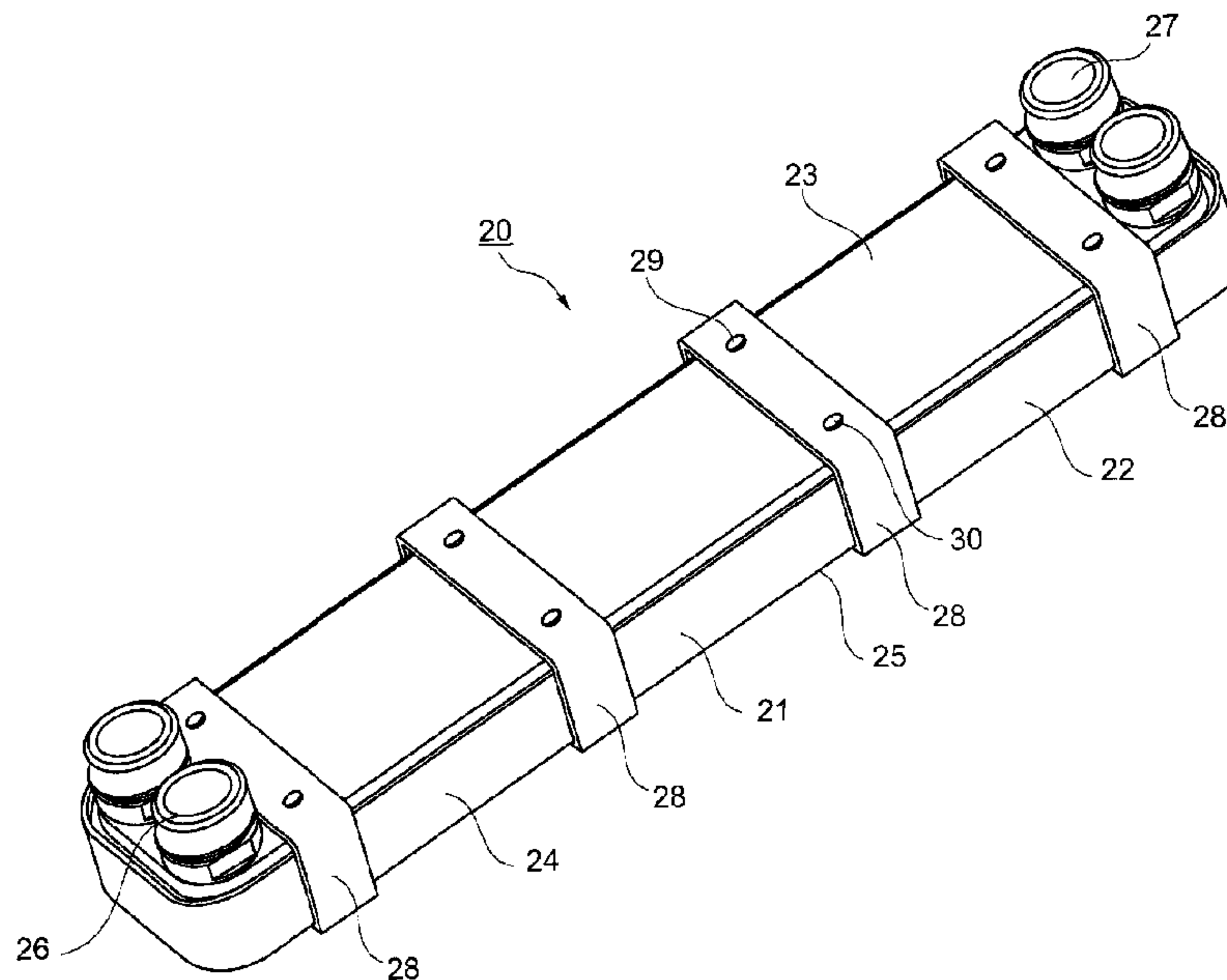




(22) Date de dépôt/Filing Date: 2011/08/22
(41) Mise à la disp. pub./Open to Public Insp.: 2012/02/25
(45) Date de délivrance/Issue Date: 2018/06/26
(30) Priorité/Priority: 2010/08/25 (DE10 2010 037 152.1)

(51) Cl.Int./Int.Cl. *F28F 3/08* (2006.01),
F28D 9/00 (2006.01), *F28F 3/10* (2006.01)
(72) Inventeur/Inventor:
AUST, MICHAEL, DE
(73) Propriétaire/Owner:
GEA WTT GMBH, DE
(74) Agent: GOWLING WLG (CANADA) LLP

(54) Titre : ECHANGEUR THERMIQUE A PLAQUE ETANCHE A L'AIR
(54) Title: PLATE HEAT EXCHANGER IN A SEALED DESIGN



(57) **Abrégé/Abstract:**

The invention relates to a plate heat exchanger (20) in a sealed design, with a stacked arrangement (21) comprising a front-side and a rear-side end plate (22, 23), wherein at least one end plate is constituted as a connection plate, heat exchanger plates which are arranged and stacked between the front-side and the rear-side end plate (22, 23), in such a way that cavities for accommodating a plurality of heat exchanger media are formed between the heat exchanger plates, and sealing elements which are disposed to seal the cavities, and a clamping device (28, 29, 30) configured to exert an external clamping pressure on the stacked arrangement (21) for the tensioning, wherein the clamping device is formed to encompass the stacked arrangement (21) in a form-fit manner at least in sections, namely at least in a corner region of the stacked arrangement (21).

Abstract

The invention relates to a plate heat exchanger (20) in a sealed design, with a stacked arrangement (21) comprising a front-side and a rear-side end plate (22, 23), wherein at least one end plate is constituted as a connection plate, heat exchanger plates which are arranged and stacked between the front-side and the rear-side end plate (22, 23), in such a way that cavities for accommodating a plurality of heat exchanger media are formed between the heat exchanger plates, and sealing elements which are disposed to seal the cavities, and a clamping device (28, 29, 30) configured to exert an external clamping pressure on the stacked arrangement (21) for the tensioning, wherein the clamping device is formed to encompass the stacked arrangement (21) in a form-fit manner at least in sections, namely at least in a corner region of the stacked arrangement (21). (Fig. 2)

Plate heat exchanger in a sealed design

The invention relates to a plate heat exchanger in a sealed design.

5 Background to the invention

Plate heat exchangers are known in various designs. They include, in particular, sealed, soldered and welded plate heat exchangers. The various designs usually have in common the fact that a stacked arrangement is formed with a front-side and a rear-side end plate, between
10 which a plurality of heat exchanger plates is accommodated and stacked, in such a way that cavities are formed between the heat exchanger plates, said cavities accommodating a plurality of heat exchanger media or fluids during operation. The heat exchanger media usually flow through the cavities.

15 Whereas sealing of the cavities takes place by means of soldered or welded joint in the case of the soldered or welded design, sealing elements are provided in the case of plate heat exchangers in a sealed design, said sealing elements being disposed in the stacked arrangement so as to seal the cavities. Sealed plate heat exchangers then comprise a clamping device, which is configured so as to pretension the stacked arrangement with end plates and
20 heat exchanger plates as well as sealing elements, an external clamping pressure being exerted with the aid of the clamping device. Fig. 1 shows a perspective representation of a known plate heat exchanger in a sealed design, wherein a stack 3 with heat exchanger plates is disposed between two pressure frame plates 1, 2. The clamping device for pretensioning the stacked arrangement is formed by tension rods 4, which connect two end plates 1, 2 in
25 overlapping regions 5. Tension rods 4 are provided with screw threads, so that an external pressure can be adjusted.

Summary of the invention

30 The objective of the invention is to provide an improved plate heat exchanger in a sealed design, which can be produced more cost effectively and with an optimized design.

This objective is solved by the invention with a plate heat exchanger in a sealed design according to independent claim 1. Advantageous embodiments of the invention are the subject-matter of dependent claims.

5 The invention comprises the idea of a plate heat exchanger in a sealed design with a stacked arrangement and a clamping device, which is configured to exert an external clamping pressure on the stacked arrangement for the tensioning, wherein the stacked arrangement comprises a front-side and a rear-side end plate, whereof at least one end plate is constituted as a connection plate, heat exchanger plates which are accommodated and stacked between
10 the front-side and the rear-side end plate, in such a way that cavities for accommodating a plurality of heat exchanger media are formed between the heat exchanger plates, and sealing elements which are disposed to seal the cavities, and wherein the clamping device is constituted so as to encompass the stacked arrangement in a form-fit manner at least in sections, namely at least in a corner region of the stacked arrangement.

15 The cross-section of the clamping device on the inside, i.e. the side facing the stacked arrangement, is matched to the external contour of the stacked arrangement within the usual manufacturing tolerances in the at least one corner region. Provision can also be made such that the form-fitting is constituted in a plurality of or even all corner regions. The latter arises,
20 for example, when the clamping device is formed completely encompassing the stacked arrangement in a form-fit manner.

In a preferred embodiment of the invention it is envisaged that the clamping device rests essentially continuously on the external surface of an assigned section of the stacked
25 arrangement in the at least one section of the stacked arrangement that is encompassed in a form-fit manner.

With the aid of the proposed plate heat exchanger, a heat exchanger is in the first place created which has a smaller size compared to the prior art, since it is not necessary to run
30 tension rods laterally past the stacked heat exchanger plates in order to connect laterally projecting sections of the end plates for the clamping device. On the contrary, the clamping device encompasses the stacked arrangement in a form-fit manner at least in one corner

region, so that a reduced space requirement or even no space requirement exists here at the side of the stacked arrangement, in particular for clamping elements.

5 In a preferred embodiment of the invention it is provided that the clamping device is formed by one or or a plurality of closed profile elements and/or one or a plurality of flexible tightening belts, which in each case encompass the stacked arrangement. The tightening belts are preferably made from a material from the group of the following materials: steel, plastics and thermoplastic materials. During the production of the plate heat exchanger, the one or the plurality of tightening belts are drawn up by means of mechanical tensioning and/or shrink-
10 fitting on the stacked arrangement.

The one or the plurality of closed profile elements can for example be formed as a rectangular profile or tube. Profile elements in this or other embodiments are available as such at low cost in different variants. The production costs are thus minimised overall.

15 In the production of the plate heat exchanger, the one or the plurality of profile elements are pushed from the end face onto the stacked arrangement with end plates and heat exchanger plates disposed between the latter. This takes place with connections not yet assembled at least on one side. The connections can then be assembled after the pushing-on of the one or
20 the plurality of closed profile elements.

A preferred development of the invention provides that the clamping device is formed by a continuous closed profile element, which extends over a region of at least 50% of the length of the section of the stacked arrangement between the connections on the connection plate
25 thereby encompassing the stacked arrangement. In this embodiment, the continuous closed profile element forms a kind of "abdominal belt" in the region of the stacked arrangement between the connections. A preferred development makes provision such that the continuous closed profile element extends over a region of at least 75% of the length of the stacked arrangement between the connections. It is further preferred that the continuous closed profile
30 element covers a length of at least 90% of the region between the connections. The section of the stacked arrangement between the connections can be encompassed wholly or partially by one or more closed profile elements.

In a preferred embodiment of the invention it is provided that the clamping device is formed by a continuous closed profile element which extends over the whole length of the plate heat exchanger thereby encompassing the stacked arrangement.

- 5 In an preferred embodiment of the invention, it is envisaged that the clamping device is formed by a plurality of closed profile elements, which all or at least in pairs have an essentially identical width in the longitudinal direction of the stacked arrangement.

10 In an advantageous embodiment of the invention it is provided that the one or the plurality of closed profile elements are formed from a standardised profile element. The use of standardised profile elements makes for a further cost reduction, since such profile elements are available at low cost as frequently produced products in different designs.

15 A development of the invention preferably provides wall sections of the one or the plurality of profile elements are formed as flat profiles. A flat design of the wall sections of the closed profile elements further makes for a minimised space requirement of the plate heat exchanger.

20 In an advantageous embodiment of the invention it is envisaged that the clamping device is formed by adjustable pretensioning elements, which are disposed on the one or the plurality of closed profile elements. The adjustable pretensioning elements are formed for example with the aid of screw elements, which are screwed into associated threaded sections in the one or the plurality of closed profile elements. The screw elements can then be screwed in until such time as they finally press against the stacked arrangement. Such screw elements are preferably provided on the closed profile elements only on the front side or only on the rear side of the
25 stacked arrangement. On the opposite side, the stacked arrangement is then pressed in a two-dimensionally extending manner against the inner side of the closed profile element.

30 In a development of the invention it is provided that the adjustable pretensioning elements are configured to introduce the external clamping pressure on the stacked arrangement, preferably essentially in a centrally symmetric manner.

- 5 -

In a preferred embodiment of the invention it is envisaged that the adjustable pretensioning elements are formed on one or all the closed profile elements spaced apart from one another in the transverse direction of the stacked arrangement.

- 5 In a development of the invention preferably it is provided that the one or the plurality of closed profile elements are formed leaving connection regions free, in which connections are disposed on the connection plate.

Description of preferred examples of embodiment of the invention

10

The invention is explained in greater detail below with the aid of preferred embodiments making reference to figures. In the figures:

- Fig. 1 shows a perspective view of a plate heat exchanger in a sealed design according to the prior art,
- 15 Fig. 2 shows a perspective view of a plate heat exchanger in a sealed design, wherein a clamping device is formed by a plurality of closed profile elements,
- Fig. 3 shows a view of the plate heat exchanger from fig. 2 from the side,
- Fig. 4 shows a view of the plate heat exchanger from fig. 2 from the front,
- Fig. 5 shows a view of the plate heat exchanger from fig. 2 from the rear,
- 20 Fig. 6 shows a perspective view of a closed profile element of the clamping device with the plate heat exchanger in figs. 2 to 5 and
- Fig. 7 shows a perspective view of a plate heat exchanger in a sealed design, wherein a clamping device is formed by a continuous closed profile element over the whole length of the plate heat exchanger.

25

- Fig. 2 shows a perspective view of a plate heat exchanger 20 in a sealed design, wherein stacked heat exchanger plates 24 are disposed in a stacked arrangement 21 between a front-side end plate 22 and a rear-side end plate 23, which is constituted as a connection plate. Stacked arrangement 21 is encompassed by a plurality of closed profile elements 28 in a
- 30 region 25 between connections 26, 27. The plurality of closed profile elements 28 have an essentially uniform distance from one another. In other embodiments (not shown), it is envisaged that the section between connections 26, 27 is encompassed wholly or partially by a single closed profile element. Provision can also be made such that a plurality of closed

profile elements jointly encompass essentially completely the region between connections 26, 27.

5 According to Fig. 2, there are provided on each of the plurality of closed profile elements 28 screws 29, 30 which are screwed into associated threaded sections, so that screws 29, 30 press against rear-side end plate 23, as a result of which a pretensioning is produced. In other embodiments (not shown), further screws can be provided in closed profile elements 28. In order to form the plurality of closed profile elements 28, use may be made of standardised profiles which preferably conform to the usual DIN standards.

10

Figs. 3 to 5 show a schematic view of plate heat exchanger 20 from Fig. 2 from the side, from the front and from the rear.

15

Finally, Fig. 6 shows a perspective view of closed profile elements 28 used in the plate heat exchanger in figs. 2 to 5.

20

Fig. 7 shows a perspective view of a plate heat exchanger 20 in a sealed design, wherein a continuous closed profile element 31 extends over the whole length of plate heat exchanger 20.

The features of the invention disclosed in the above description, the claims and the figures can be of importance individually as well as in any combination for the realization of the invention in its various embodiments.

What is claimed is:

1. A plate heat exchanger in a sealed design, with:
 - a stacked arrangement comprising:
 - a front-side and a rear-side end plate, wherein at least one end plate is constituted as a connection plate,
 - heat exchanger plates which are arranged and stacked between the front-side and the rear-side end plate, in such a way that cavities for accommodating a plurality of heat exchanger media are formed between the heat exchanger plates, and
 - sealing elements which are disposed to seal the cavities, and
 - a clamping device configured to exert an external clamping pressure on the stacked arrangement for compressing said stacked arrangement,

wherein the clamping device is formed to encompass the stacked arrangement in a form-fit manner at least in sections, namely at least in a corner region of the stacked arrangement.
2. The plate heat exchanger according to claim 1, characterised in that the clamping device is formed by one or a plurality of closed profile elements and/or one or a plurality of flexible tightening belts, which in each case encompass the stacked arrangement.
3. The plate heat exchanger according to claim 2, characterised in that the clamping device is formed by a continuous closed profile element, which extends over a region of at least 50% of the length of the section of the stacked arrangement between connections on the connection plate thereby encompassing the stacked arrangement.
4. The plate heat exchanger according to claim 2, characterised in that the clamping device is formed by a continuous closed profile element which extends over the whole length of the plate heat exchanger thereby encompassing the stacked arrangement.

5. The plate heat exchanger according to any one of claims 2 to 4, characterised in that the clamping device is formed by a plurality of closed profile elements, which all or at least in pairs have an essentially identical width in the longitudinal direction of the stacked arrangement.
6. The plate heat exchanger according to any one of claims 2 to 5, characterised in that the one or the plurality of closed profile elements are formed by a standardised profile element.
7. The plate heat exchanger according to any one of claims 2 to 6, characterised in that wall sections of the one or the plurality of profile elements are formed as flat profiles.
8. The plate heat exchanger according to any one of claims 2 to 7, characterised in that the clamping element is formed with adjustable pretensioning elements, which are disposed on the one or the plurality of closed profile elements.
9. The plate heat exchanger according to claim 8, characterised in that the adjustable pretensioning elements are configured to introduce the external clamping pressure on the stacked arrangement.
10. The plate heat exchanger according to claim 8 or 9, characterised in that the adjustable pretensioning elements are formed on one or all the closed profile elements spaced apart from one another in the transverse direction of the stacked arrangement.
11. The plate heat exchanger according to any one of claims 2 to 10, characterised in that the one or the plurality of closed profile elements are formed leaving connection regions free, in which connections are disposed on the connection plate.

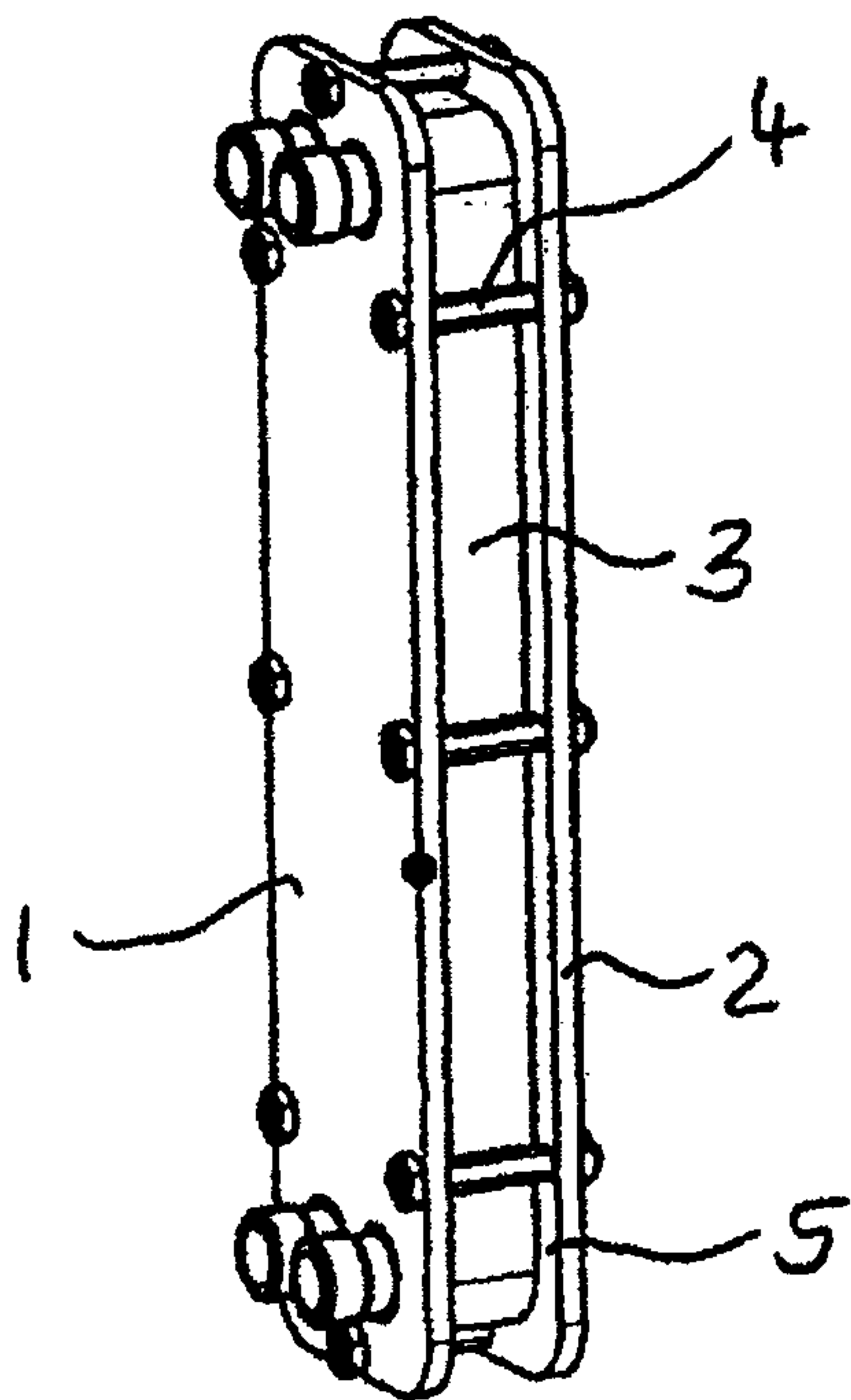


Fig. 1

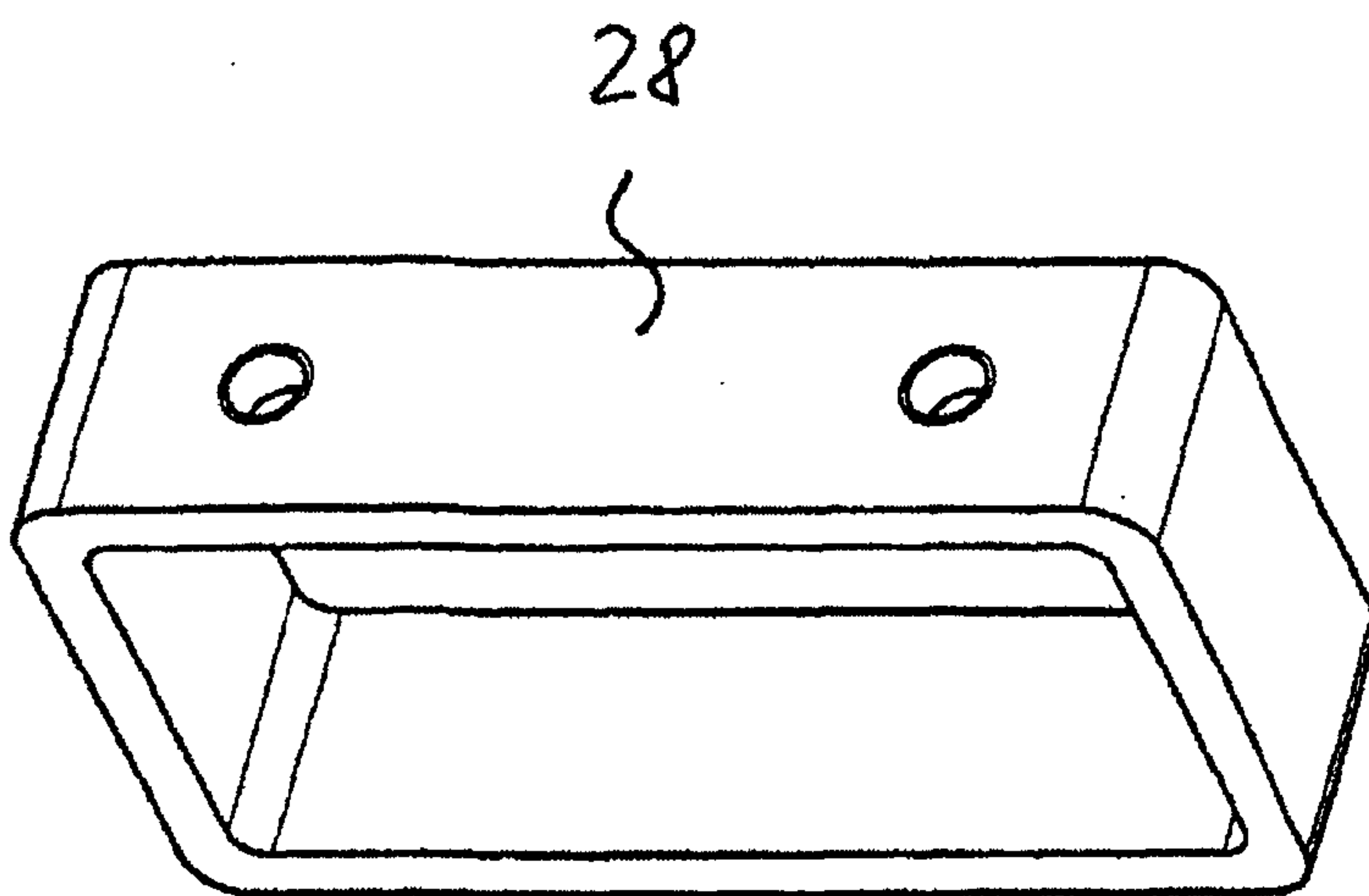


Fig. 6

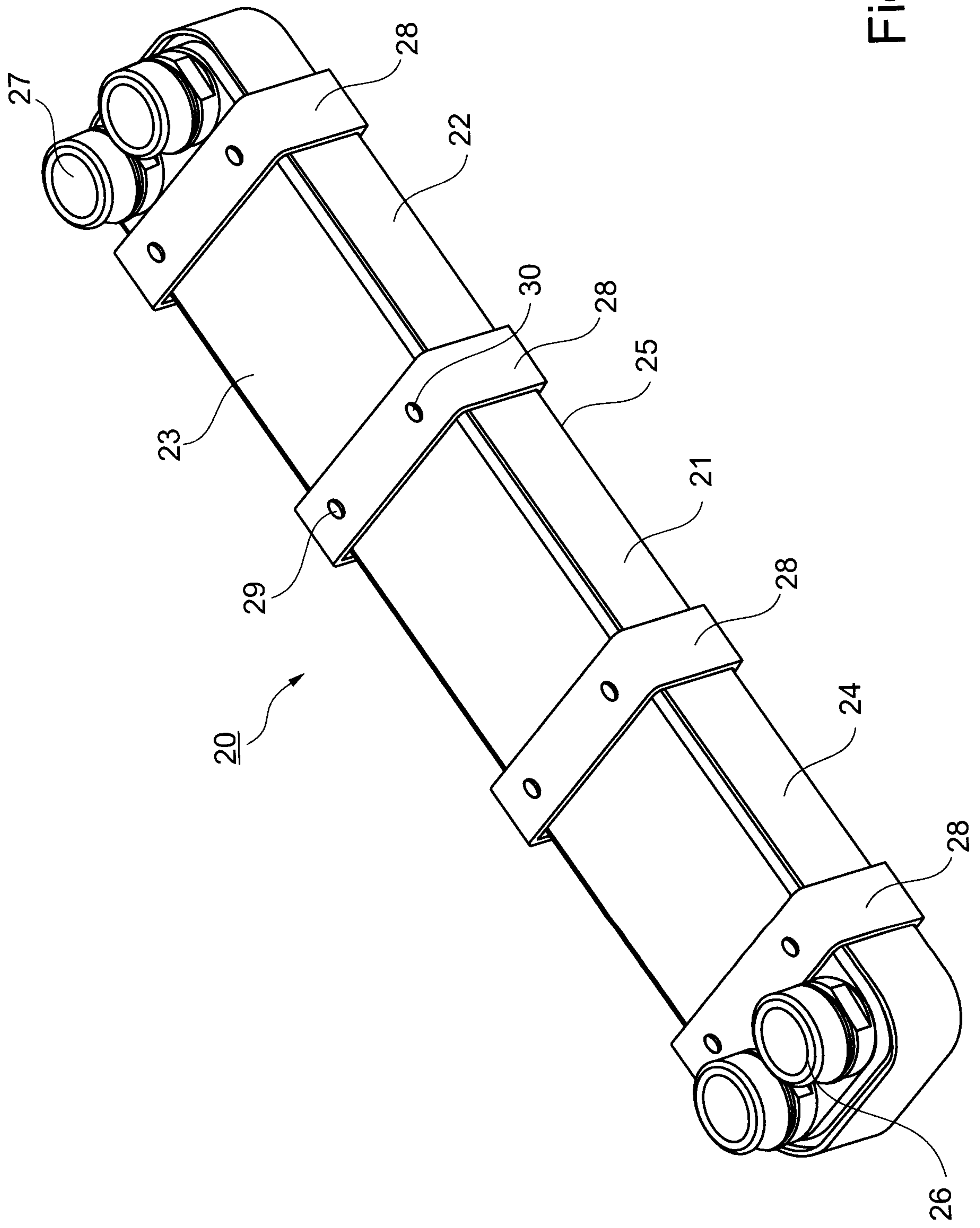
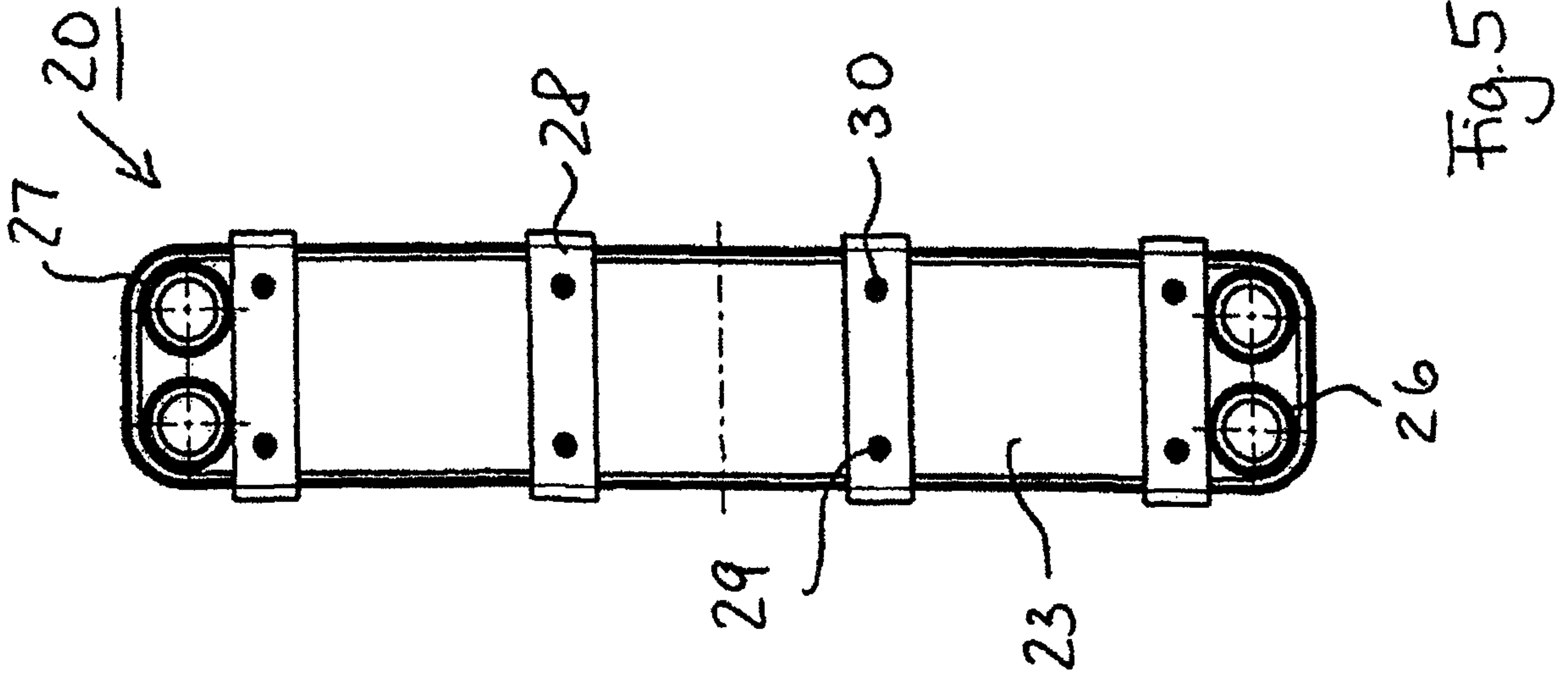
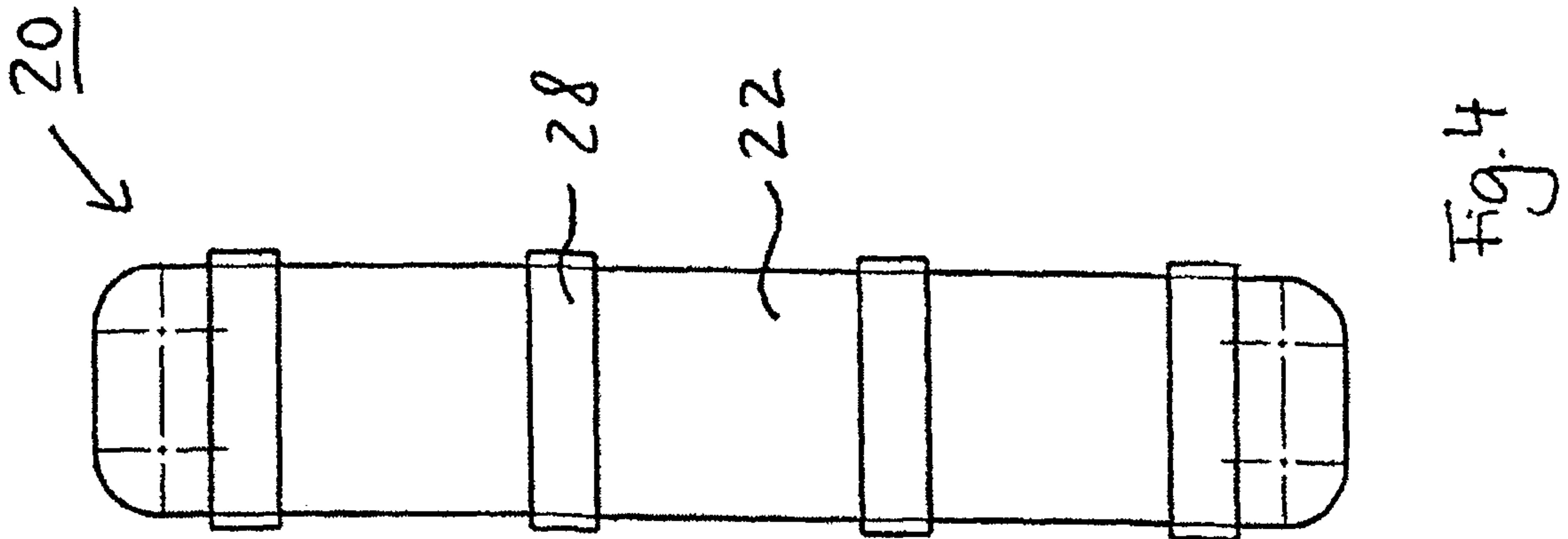
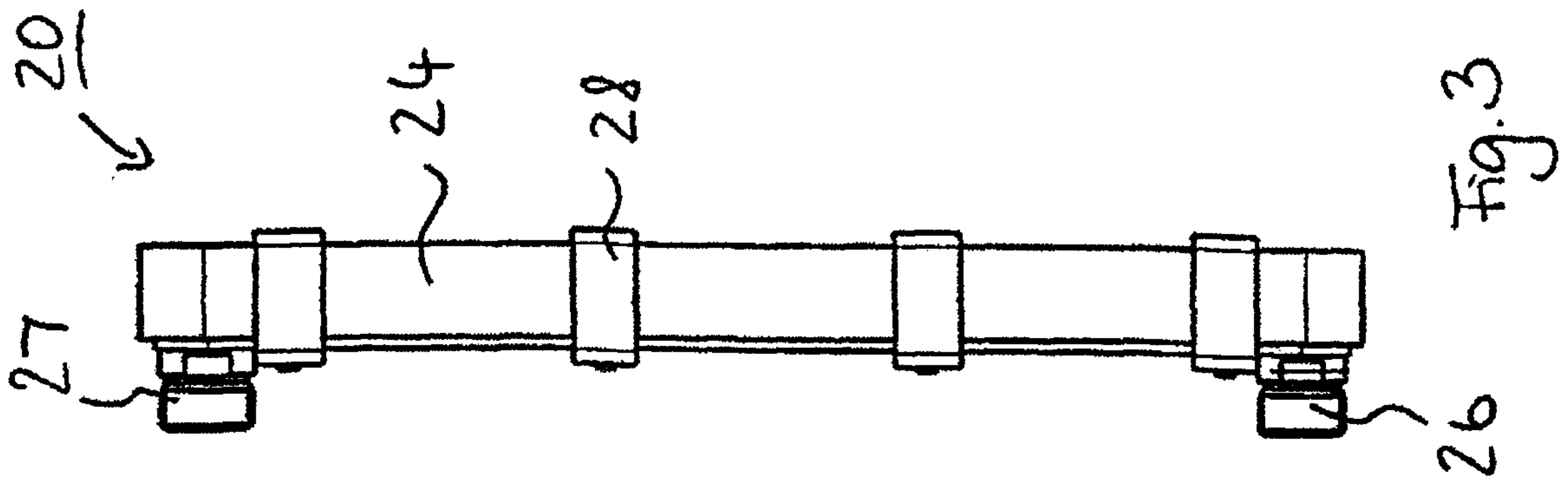


Fig. 2



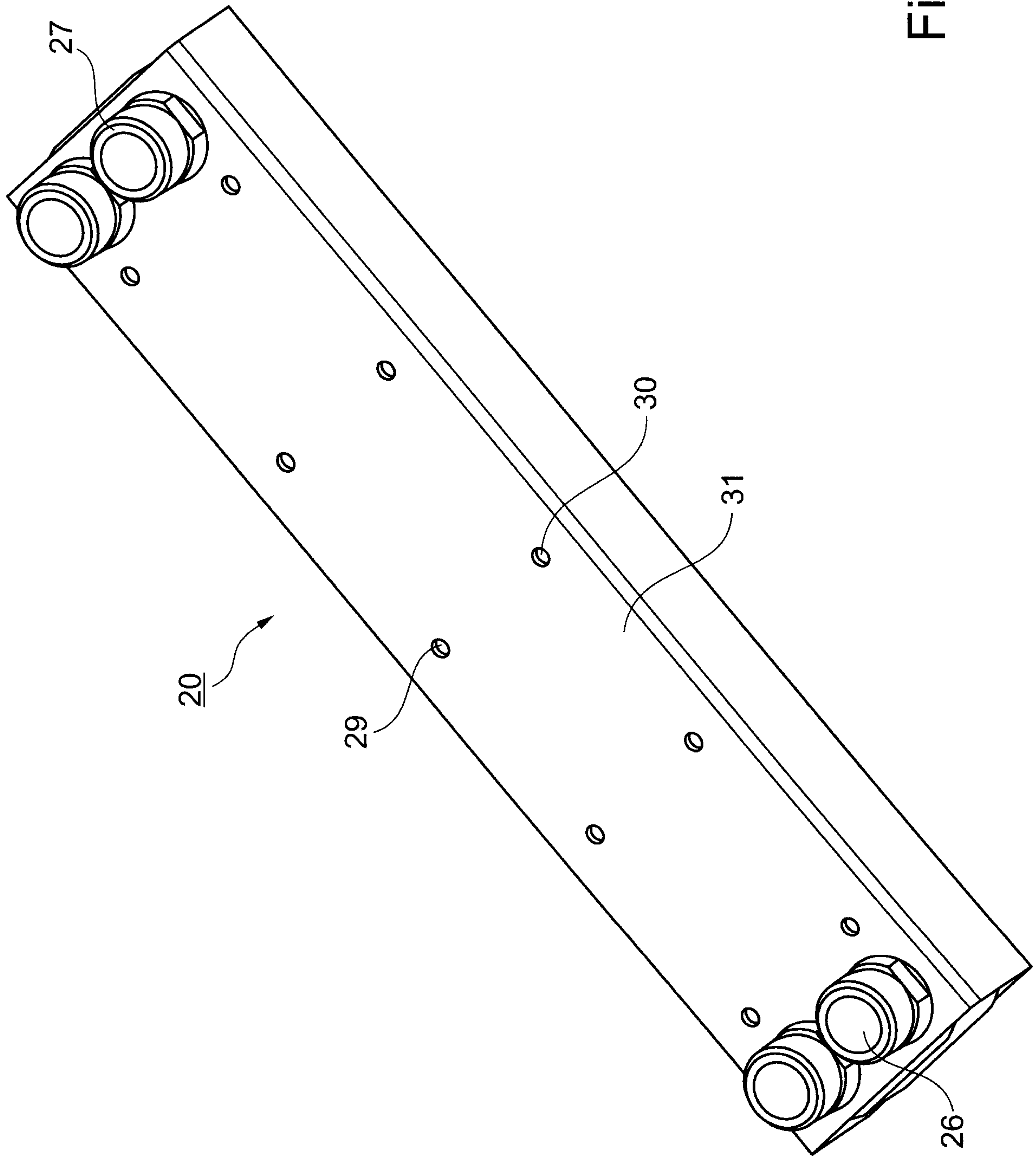


Fig. 7

