



US00D735183S

(12) **United States Design Patent**
Kim

(10) **Patent No.:** **US D735,183 S**

(45) **Date of Patent:** **** Jul. 28, 2015**

(54) **DUAL-LAYER CASE FOR SMARTPHONE**

(71) Applicant: **Dena M. Kim**, Great Neck, NY (US)

(72) Inventor: **Dena M. Kim**, Great Neck, NY (US)

(73) Assignee: **jWIN Electronics Corp.**, Port Washington, NY (US)

(**) Term: **14 Years**

(21) Appl. No.: **29/451,450**

(22) Filed: **Apr. 2, 2013**

(51) **LOC (10) Cl.** **14-03**

(52) **U.S. Cl.**

USPC **D14/250**

(58) **Field of Classification Search**

USPC D14/250, 138 AA, 138 AB, 138 AD,
D14/138 G, 217, 238.1, 248, 251–253, 346,
D14/356, 440, 496, 203.5, 203.8; D13/103,
D13/107, 108; D3/201, 218, 247, 269, 273,
D3/301, 303; 455/575.1, 575.8; 206/305,
206/320, 251, 45.2

CPC A45C 2011/002; H04B 1/3888; H04M
1/0283; H04M 1/185

See application file for complete search history.

(56) **References Cited**

U.S. PATENT DOCUMENTS

D597,089 S *	7/2009	Khan et al.	D14/250
D603,389 S *	11/2009	Khan et al.	D14/250
D637,590 S *	5/2011	Michie et al.	D14/250
D644,636 S *	9/2011	Richardson et al.	D14/250
D644,637 S *	9/2011	Smith et al.	D14/250
D644,639 S *	9/2011	Weller et al.	D14/250
D656,118 S *	3/2012	Kim et al.	D14/138 G
D673,548 S *	1/2013	Weller et al.	D14/250
D673,551 S *	1/2013	Chang et al.	D14/250

D681,023 S *	4/2013	Weller et al.	D14/250
D681,618 S *	5/2013	Magness et al.	D14/250
D682,260 S *	5/2013	Tages et al.	D14/250
D684,150 S *	6/2013	Goradesky et al.	D14/250
D685,358 S *	7/2013	Armstrong et al.	D14/250
D685,776 S *	7/2013	Bau	D14/250
D687,027 S *	7/2013	Melanson et al.	D14/250
D696,656 S *	12/2013	Murchison et al.	D14/250
D697,903 S *	1/2014	Witter et al.	D14/250
D697,905 S *	1/2014	Chang et al.	D14/250
D698,342 S *	1/2014	Gronewoller et al.	D14/250
D700,598 S *	3/2014	Kim	D14/250
D703,656 S *	4/2014	Witter et al.	D14/250
D706,754 S *	6/2014	Goradesky	D14/250
D709,059 S *	7/2014	Kim et al.	D14/250
D712,864 S *	9/2014	Hirota	D14/138 G

* cited by examiner

Primary Examiner — Barbara Fox

Assistant Examiner — Lilyana Bekic

(74) *Attorney, Agent, or Firm* — Gregory L. Thorne; Thorne & Halajian, LLP

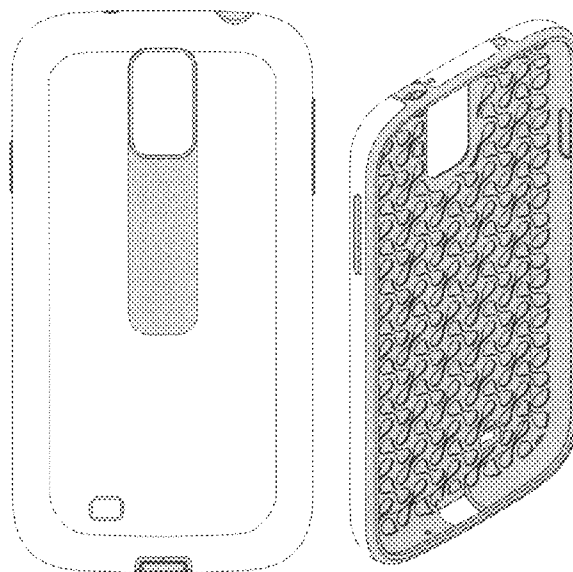
(57) **CLAIM**

The ornamental design for dual-layer case for smartphone, as shown.

DESCRIPTION

FIG. 1 is a front view of a “dual-layer case for smartphone” showing my design;
FIG. 2 is a back view thereof;
FIG. 3 is a right view thereof;
FIG. 4 is a left view thereof;
FIG. 5 is a top view thereof;
FIG. 6 is a bottom view thereof;
FIG. 7 is a front perspective view thereof;
FIG. 8 is a back perspective view thereof;
FIG. 9 is a front exploded view thereof; and
FIG. 10 is a back exploded view thereof.

1 Claim, 10 Drawing Sheets



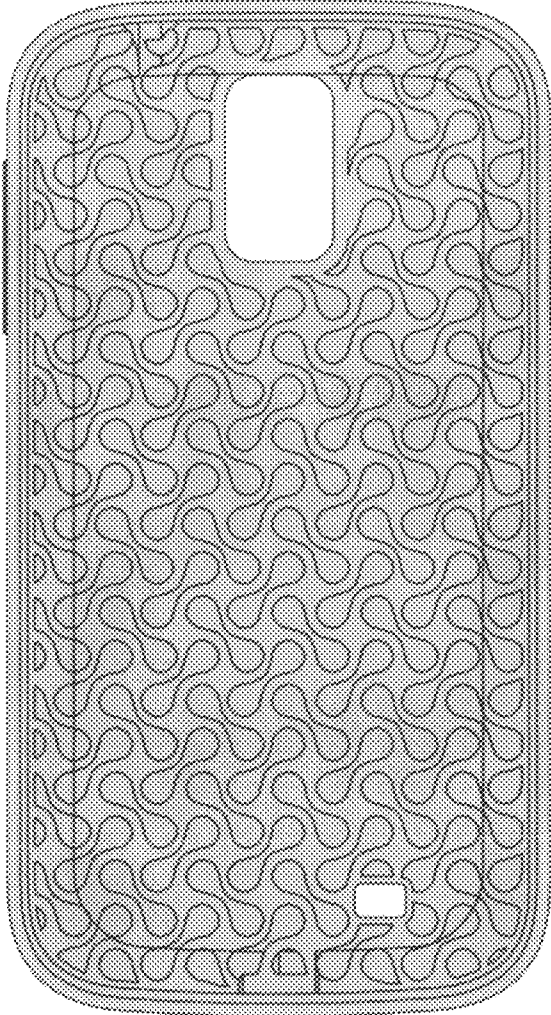


FIG. 1

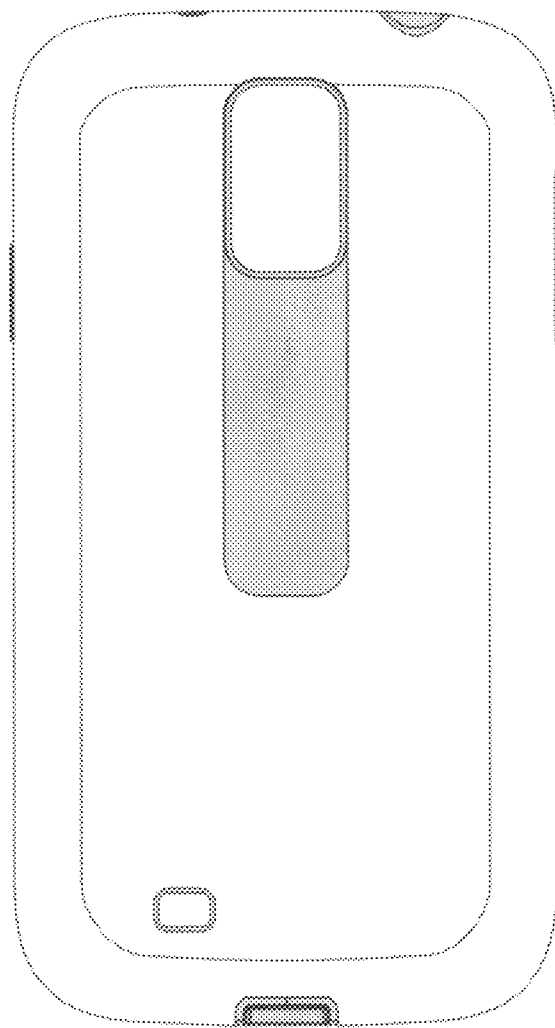


FIG. 2

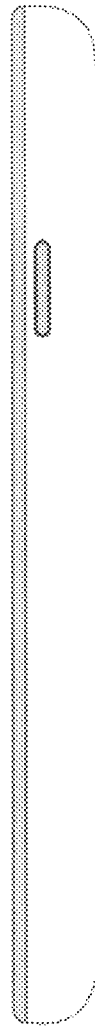


FIG. 3



FIG. 4



FIG. 5

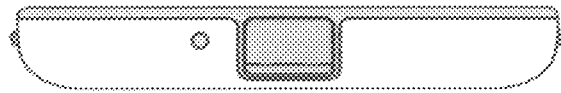


FIG. 6

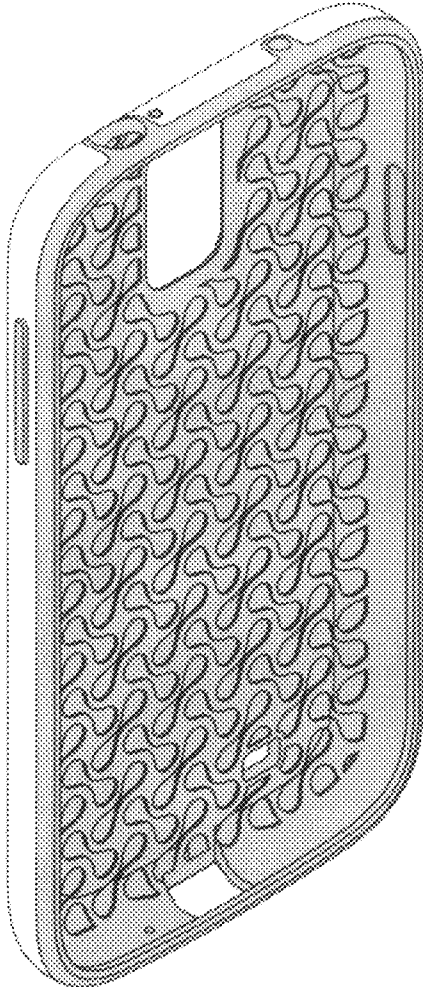


FIG. 7

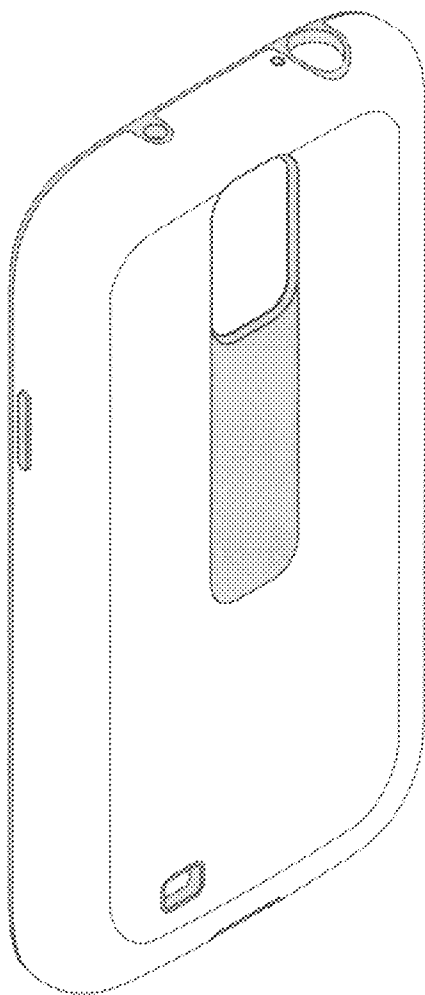


FIG. 8

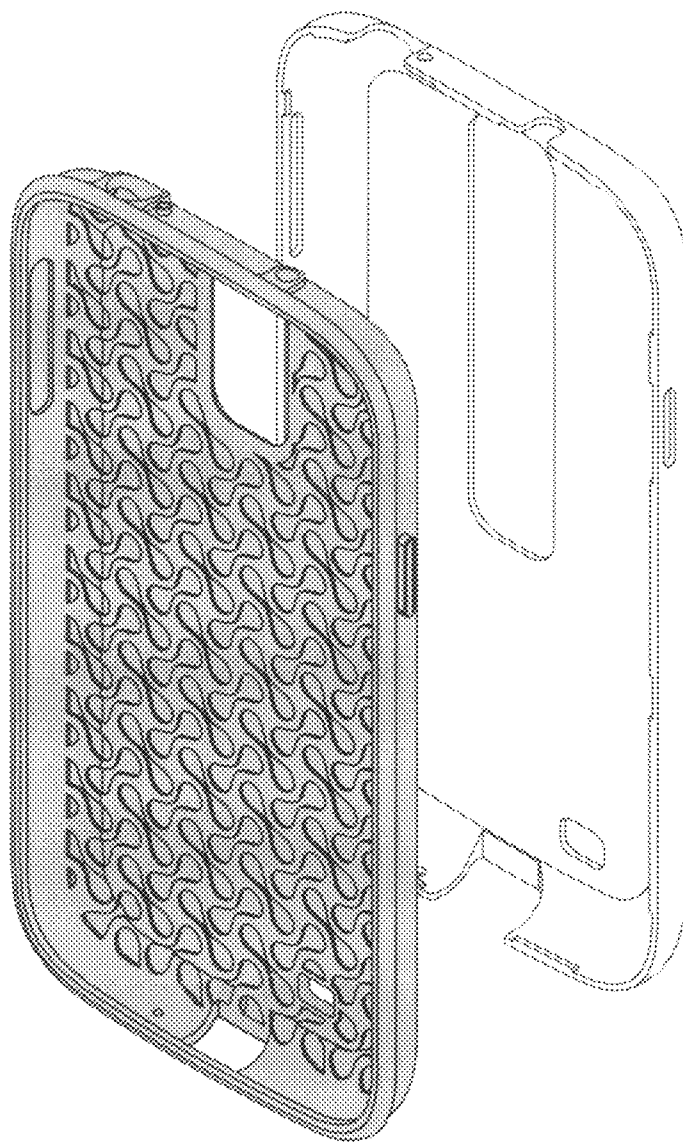


FIG. 9

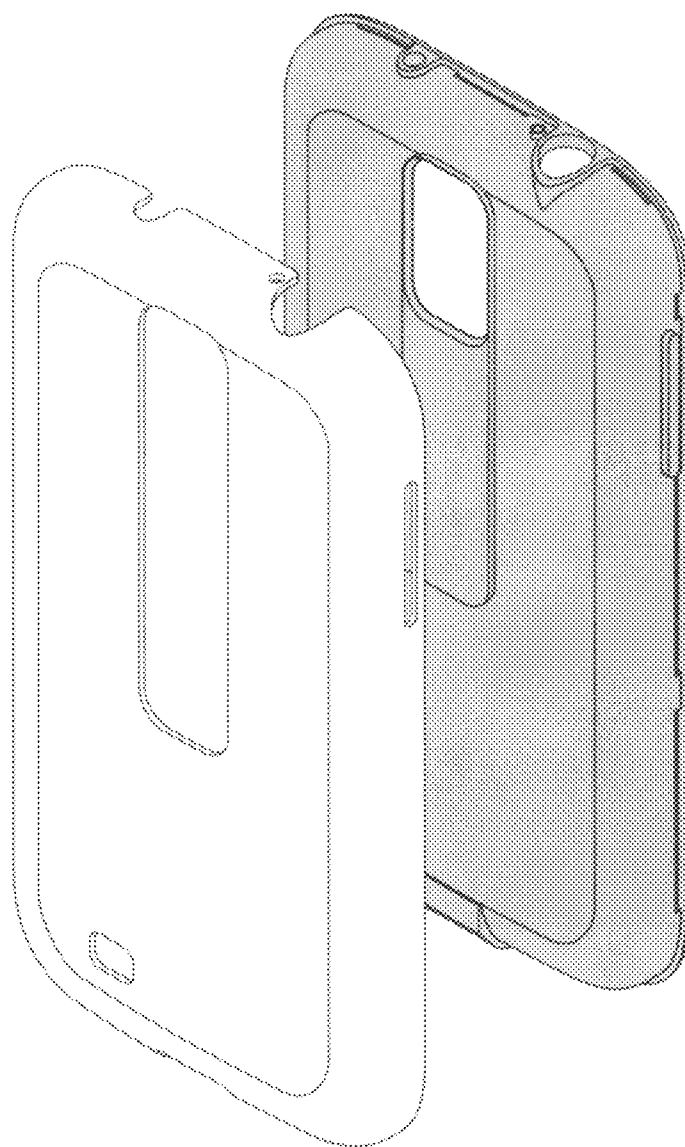


FIG. 10