

(19) World Intellectual Property Organization  
International Bureau



(43) International Publication Date  
29 November 2001 (29.11.2001)

PCT

(10) International Publication Number  
**WO 01/90541 A1**

(51) International Patent Classification<sup>7</sup>: **F01N 3/08**,  
3/20, 3/22

Vincent [GB/GB]; 108 Ermine Street, Caxton, Cambridge  
CB3 8PQ (GB).

(21) International Application Number: PCT/GB01/02199

(74) Agent: **NUNN, Andrew, Dominic**; Johnson Matthey  
Technology Centre, Blounts Court, Sonning Common,  
Reading RG4 9NH (GB).

(22) International Filing Date: 21 May 2001 (21.05.2001)

(25) Filing Language: English

(81) Designated States (*national*): JP, US.

(26) Publication Language: English

(30) Priority Data:  
0012424.8 24 May 2000 (24.05.2000) GB

(84) Designated States (*regional*): European patent (AT, BE,  
CH, CY, DE, DK, ES, FI, FR, GB, GR, IE, IT, LU, MC,  
NL, PT, SE, TR).

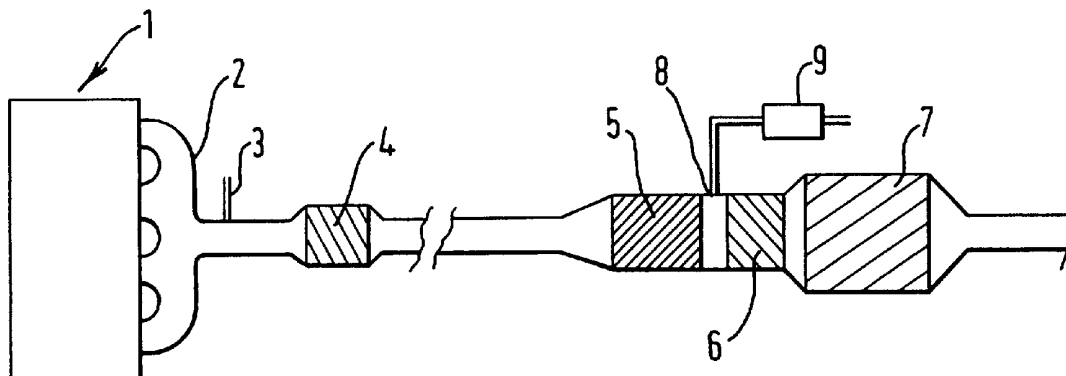
(71) Applicant (*for all designated States except US*): **JOHN-  
SON MATTHEY PUBLIC LIMITED COMPANY**  
[GB/GB]; 2-4 Cockspur Street, Trafalgar Square, London  
SW1Y 5BQ (GB).

Published:  
— with international search report

(72) Inventor; and  
(75) Inventor/Applicant (*for US only*): **TWIGG, Martyn**,

*For two-letter codes and other abbreviations, refer to the "Guidance Notes on Codes and Abbreviations" appearing at the beginning of each regular issue of the PCT Gazette.*

(54) Title: METHOD OF TREATING GASOLINE EXHAUST GASES



(57) Abstract: A method of treating exhaust gases from a gasoline engine after cold-start using an exhaust gas aftertreatment system comprises adsorbing unburnt hydrocarbons (HC) from the engine exhaust gas with an HC trap, supplying heated ambient air to the exhaust gas stream downstream of the HC trap when the temperature of the HC trap is sufficient that trapped HC are desorbed therefrom and passing the air-enriched gas stream over a three-way catalyst (TWC). An exhaust gas aftertreatment system for a gasoline-fuelled engine (1) for performing the method according to the invention comprises an HC trap (5), a downstream secondary air injection point (8), means for supplying heated ambient air to the secondary air injection point (9), a TWC (7) downstream of the point of secondary air injection, and means in use for operating the heated air supply means when the temperature of the HC trap is sufficient that HC trapped thereon are desorbed therefrom.

WO 01/90541 A1

## METHOD OF TREATING GASOLINE EXHAUST GASES

The present invention relates to a method of treating exhaust gases from a gasoline engine after cold-start using an exhaust gas aftertreatment system and more particularly to a method of operating an exhaust gas aftertreatment system comprising a hydrocarbon trap, a downstream secondary air injection point, means for supplying heated ambient air to the secondary air injection point and a three-way catalyst downstream of the point of secondary air injection.

The regulated emissions from gasoline-fuelled internal combustion engines are reduced by a variety of exhaust gas aftertreatment devices, including frequently, a hydrocarbon trap (e.g. effective to trap unburnt hydrocarbons ("HC") in the exhaust gas in a zeolite below a certain temperature, and desorb the HC above that temperature), and a three-way catalyst ("TWC") downstream of the trap. The TWC is effective, once it reaches the appropriate light-off temperature, to cause oxidation of HC, oxidation of CO and simultaneous reduction of NO<sub>x</sub> to N<sub>2</sub>. Known TWC's have a relatively high light-off temperature for HC oxidation, so the purpose of the HC trap is to delay the HC reaching the TWC until it has reached light-off temperature. This has not been wholly successful in many systems causing HC to pass through the TWC unreacted in the period immediately following start-up.

A variety of prior art methods have been suggested (and some adopted) to assist the TWC to reach HC light-off temperature, including improved CO oxidation on the TWC thereby to use the exotherm to heat the catalyst to the HC light-off temperature, "EGI" (Exhaust Gas Ignition) and hydrogen-initiated light-off. Many systems use the addition of supplementary or secondary air into the exhaust gas downstream of the HC trap to provide improved oxidation conditions to speed TWC HC light-off.

Another system, is the Electrically Heated Catalyst ("EHC"), which can provide electric resistive heating to a catalyst in an exhaust gas treatment system. For example, the TWC can include an EHC to increase the temperature of the catalysts in order to achieve rapid HC light-off. However, in practice, EHC's have not been favoured by the automobile industry because they require too much power and this puts heavy demands on the vehicle

battery. For example, if ambient temperatures fall below about 10°C (and winter temperatures well below this are met with regularly in parts of Europe and North America), the battery may be incapable of providing the necessary power to heat the catalyst sufficiently, with the result that the EHC is switched off. Another reason why EHC's have not been widely adopted is that complicated heavy-duty connections to exhaust treatment components are required to cope with the high current. Furthermore, doubts have been raised about the durability of EHC's because they can be exposed to temperatures of about 1000°C, especially when there is a lot of exothermic reaction taking place on the TWC.

10 A prior art arrangement including secondary injection of heated air between an upstream HC trap and a downstream catalyst is described in WO 96/24756. In particular at Figure 2C there is shown an HC trap 28 and a catalysts 30 comprising a catalyst composition effective at least for the conversion of HC, an air pump 32, an air injection line 42' and an independently powered catalyst heating member 62. The catalyst-heating element 15 62 may comprise, for example, electric heating coils powered from the battery. From the above description it will be seen that this system suffers similar drawbacks to those of EHC's mentioned above.

An alternative to using battery power is described in US patent no. 5,459,999. This 20 discloses an exhaust gas cleaner system for an automotive internal combustion engine including an air introduction pipe for introducing secondary air, heated initially by a heater, to a catalytic converter unit mounted on the exhaust pipe. The document teaches that powering the heater from the engine alternator is undesirable because this puts a heavy load on the internal combustion engine which in turn leads to higher engine emissions.

25 We have now found that, very surprisingly, it is possible to obtain the benefit from heating the TWC with heated secondary air, without suffering from problems caused by excessive engine or battery load. In particular we have discovered that in one embodiment 1 hp, i.e. 750 W for about a minute is adequate to increase the temperature of the exhaust gas 30 in an exhaust system by from 30 to 60°C.

According to one aspect, the invention provides a method of treating exhaust gases from a gasoline engine after cold-start using an exhaust gas aftertreatment system, which

method comprising adsorbing unburnt hydrocarbons (HC) from the engine exhaust gas with an HC trap, supplying heated ambient air to the exhaust gas stream downstream of the HC trap when the temperature of the HC trap is sufficient that trapped HC are desorbed therefrom and passing the air-enriched gas stream over a three-way catalyst (TWC).

5

According to a second aspect the invention provides an exhaust gas aftertreatment system for a gasoline-fuelled engine, which system comprising a HC trap, a downstream secondary air injection point, means for supplying heated ambient air to the secondary air injection point, a TWC downstream of the point of secondary air injection, and means in use for operating the heated air supply means when the temperature of the HC trap is sufficient that HC trapped thereon are desorbed therefrom.

10

Suitably, the pre-heating means for the secondary air is a small electric resistance heater, which may provide from 500 to 1000W of power. The actual form of the heater is not critical. Alternatives to electric heating may be used. Conveniently, only a relatively small temperature rise in the secondary air has been found to be necessary, sufficient to increase the reduced-HC gas stream temperature by about 30 to 60°C. The actual temperature and volume of the secondary air can be chosen by routine experiment, depending upon the actual engine, the specific aftertreatment system and, any specific low light-off catalyst.

15

20

It can readily be seen that according to the invention, the heating means is not included in the main exhaust system, with the result that it is not exposed to excessive temperatures and thus improved durability can be expected. Also, the invention requires only low quantities of power, with the result that electric heating is simple and inexpensive and can readily be incorporated without major redesign of the vehicle components. Such a heater unit can be compact and inexpensive and may be easily serviced or replaced.

25

Desirably, the heating means is controlled by a control system to switch on and off only when there is a requirement, as predetermined or, optionally, in response to sensed conditions.

30

An extremely significant feature of the present invention is that, unlike a “traditional” EHC concept, heating of the secondary air is not required before engine start-up. This completely removes the danger of discharging or damaging the battery and since power for heating is actually required only after engine start-up, the on-board generator (usually an alternator) is completely capable of providing adequate power. Thus, according to the invention, a preferred method of operation is to begin to supply heated secondary air only when the HC trap begins to desorb HCs; this will vary according to the engine and exhaust system design and characteristics, the engine start-up conditions as determined by the engine management unit and the size and characteristics of the trap material, and may be determined by routine experiment in each case. Generally, however, it can be expected that most benefits from the present invention may be obtained by beginning to supply heated secondary air about 10 sec. after cranking the engine, and terminating the supply up to about a minute after cranking. Of course, such secondary air, whether or not heated, may be supplied at other times during engine operation, for example in response to operating conditions.

Desirably, the exhaust gas aftertreatment system of the invention is used with a close-coupled gas conversion (“GC”) catalyst in conjunction with a first secondary air injection, for example into the exhaust manifold itself. Such GC catalysts and air injection are themselves known, although it is preferred that the GC catalyst is a high loading Pt catalyst, e.g. 300 g/ft<sup>3</sup> Pt, carried on a metallic substrate. The GC catalyst provides a first reduction of cold start emissions.

In a preferred embodiment, the TWC is preceded by a low-light-off catalyst which is conveniently a Pd containing catalyst carried on a metallic support. The low-light-off catalyst is suitably designed to exploit the chemical species generated by the GC catalyst, to light-off before there is any significant desorption of HC from the HC trap. For example, it may comprise 150 g/ft<sup>3</sup> Pd on a 600 cell per sq. (cpsi) in metallic substrate.

The TWC is suitably a conventional TWC. It may, for example, comprise a Pd/Rh catalyst carried at a loading of 150 g/ft<sup>3</sup> on an 800 cells per sq. in metallic or ceramic substrate.

Desirably, the GC catalyst, low-light-off catalyst and TWC are supported on thin metal foil through-flow substrates. Suitable cell densities are in the range 400 to 1600 cpsi, preferably 600-1000 cpsi. These substrates, and the technology for coating the substrates with catalytic coatings, are themselves known.

5

Desirably, the engine management unit is adjusted or programmed to optimise the performance of the catalyst system according to the invention. Preferably, the engine includes a pre-catalyst HEGO (heated exhaust gas oxygen) sensor which feeds signals to the engine management unit to trim fuel supply, and preferably also includes an engine-out  
10 HEGO sensor located downstream of the first secondary air injection point.

Desirably, the system of the invention is optimised for the specific engine and exhaust system, and the engine management may suitably utilise a rich start strategy, for example to generate H<sub>2</sub> and/or CO to assist in early light-off. If necessary, H<sub>2</sub> output can be  
15 boosted by using a catalyst that promotes the water gas shift reaction. In general, it is recommended to use excess fuel upon start up, combined with secondary air addition into the exhaust manifold and with spark retard.

In general, an effort should be made to avoid heat loss from the exhaust gases to the  
20 ambient, and it is preferred to insulate the exhaust pipes.

The invention is more particularly described with reference to the following working example. Reference is made also to the accompanying drawings, in which

25 Fig 1 is a schematic diagram of an engine and exhaust system according to the invention,

Fig 2 is a chart of exhaust gas temperature at various points in the system, and

Fig 3 is a chart of HC concentrations at various points.

30 Referring to Fig 1, a modern 2-litre, 4-cylinder normally aspirated gasoline engine is shown generally by 1. The exhaust manifold, 2, has a first air injection point, 3, and a close-coupled GC catalyst, 4, mounted close to the manifold. The GC catalyst is in this example, a 0.6 litre volume metal support of 600 cells per sq. in ("cps") carrying 300 g/ft<sup>3</sup>

Pt catalyst. In the conventional underfloor position is mounted a conventional HC trap, 5, in close proximity to, and desirably in the same packaging or "can" as a low-light-off ("LLO") catalyst, 6, and a conventional TWC, 7. The HC trap is a 0.57 litre volume metal support of 400 cpsi cell density, carrying a conventional zeolite trap material. The LLO catalyst is a 0.3  
5 litre volume support of 600 cpsi cell density and carrying 150 g/ft<sup>3</sup> Pd catalyst. The TWC is a 0.96 litre volume metal support of 800 cpsi cell density, carrying 150 g/ft<sup>3</sup> of a Pd/Rh catalyst. A second secondary air injection point, 8, is located between the HC trap and the inlet of the LLO catalyst. Ambient air is taken by a conventional air pump (not shown) and passed through a canister, 9, containing a 700W wound-wire resistance controlled by the  
10 engine management unit (not shown) to start immediately upon engine start-up and to stop once light-off of the TWC has been achieved. Suitably air flow rates for the heated secondary air are of the order of 30 litres per min, for this engine. Conventional silencers etc. (not shown) may be attached to the exhaust pipe, downstream of the catalyst system, as required.

15

The engine was operated according to the US Federal FTP75 drive cycle. Reference is made to Figs 2 and 3 and especially the plots showing values without the secondary air heater operating. The rapid heating strategy causes a peak in engine-out hydrocarbons. The GC catalyst lights off in ten seconds and this causes a rapid decrease in the pre-HC trap  
20 HC concentrations. The HC trap itself absorbs most of the HC emissions during this time and hence the concentrations at the tail pipe are very low. The low-light-off catalyst also starts to operate early in the drive cycle, but the increase in tail pip HC emissions show that some slippage occurring as the HC trap desorbs accumulated HC. This is due to the higher exhaust gas flow rates occurring in this section of the drive cycle, which stretches the  
25 performance of the low-light-off catalyst.

Reference is now made to the plots on Fig 3 showing values for HC concentration both with and without the secondary air heater operational. In the key to the plots, fg-hc refers to engine-out hydrocarbons (ppmC); tp-hc (no heater) and tp-hc (heater) refer to  
30 tailpipe hydrocarbons without the secondary air heater operating, and with the secondary heater operating, respectively. The most dramatic effect is during the peak in post-trap levels that occurs 10 seconds into the drive cycle, where the use of the heater assists the achievement of light-off of the low-light-off catalyst, greatly reducing tail pipe emissions.

A smaller benefit is observed during the HC trap desorption peak at about 20 seconds. These two reductions are sufficient to reduce the tail pipe non-methane HC emissions from 0.011g/mile to 0.008g/mile, which achieves the SULEV (Super Ultra Low Emission Vehicle) standard.

5

It should be appreciated that the invention may be carried out in other ways than those specifically described above, whilst still retaining the benefits of the invention.

**CLAIMS:**

1. A method of treating exhaust gases from a gasoline engine after cold-start using an exhaust gas aftertreatment system, which method comprising adsorbing unburnt hydrocarbons (HC) from the engine exhaust gas with an HC trap, supplying heated ambient air to the exhaust gas stream downstream of the HC trap when the temperature of the HC trap is sufficient that trapped HC are desorbed therefrom and passing the air-enriched gas stream over a three-way catalyst (TWC).

2. A method according to claim 1, wherein the supply of heated air is sufficient to increase the temperature of the exhaust gases contacting the TWC by from 30 to 60°C.

3. A method according to claim 1 or 2, wherein the supply of heated air begins at least 10 seconds after cold-start.

4. A method according to claim 1, 2 or 3, wherein the supply of heated air ends at up to 1 minute after cold start.

5. A method according to any preceding claim, wherein the supply of heated air ends when it is determined that the TWC is at or above HC light-off temperature.

6. An exhaust gas aftertreatment system for a gasoline-fuelled engine, which system comprising a HC trap, a downstream secondary air injection point, means for supplying heated ambient air to the secondary air injection point, a TWC downstream of the point of secondary air injection, and means in use for operating the heated air supply means when the temperature of the HC trap is sufficient that HC trapped thereon are desorbed therefrom.

7. A system according to claim 6, wherein the means in use for operating the heated air supply means stops the supply of heated air when it is determined that the TWC is at or above HC light-off temperature.

8. A system according to claim 6 or 7, wherein the means for heating the ambient air comprises an electrical resistance heater.

9. A system according to claim 8, wherein the electrical resistance heater is powered by an engine alternator.
10. A system according to claim 6, 7, 8 or 9, wherein the means for heating is capable of providing from 500 to 1000W of power.
11. A system according to any of claims 6 to 10, wherein the means in use for operating the heated air supply means is in operably associated with temperature means for sensing the temperature of the HC trap and/or the TWC.

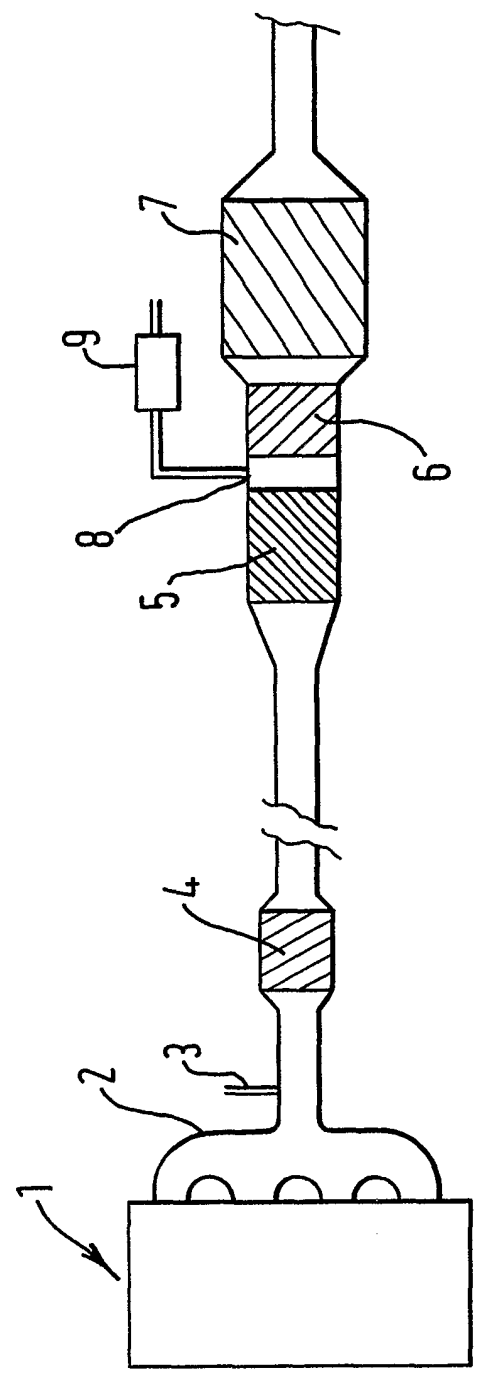


FIG.1

FIG.2

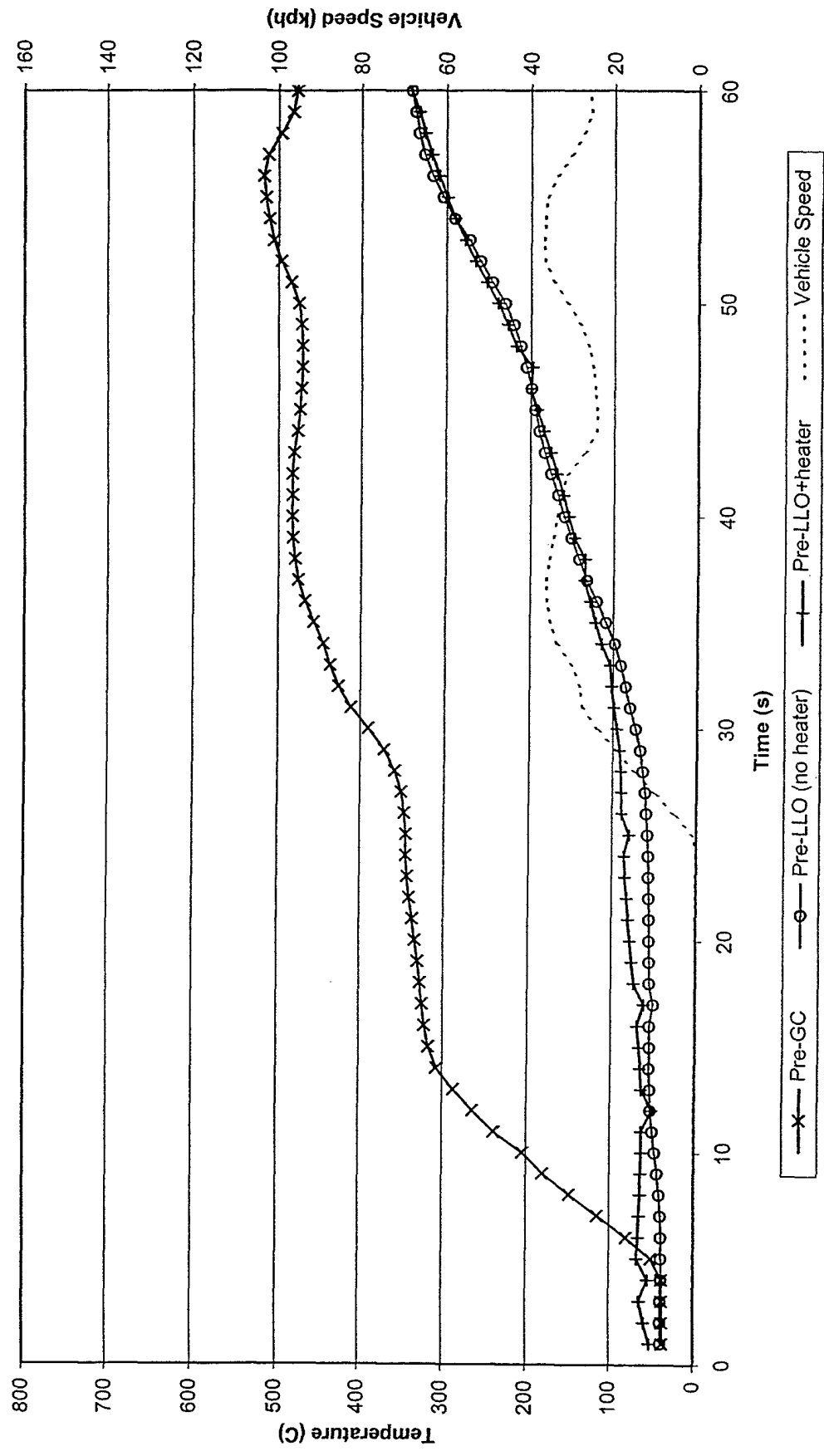
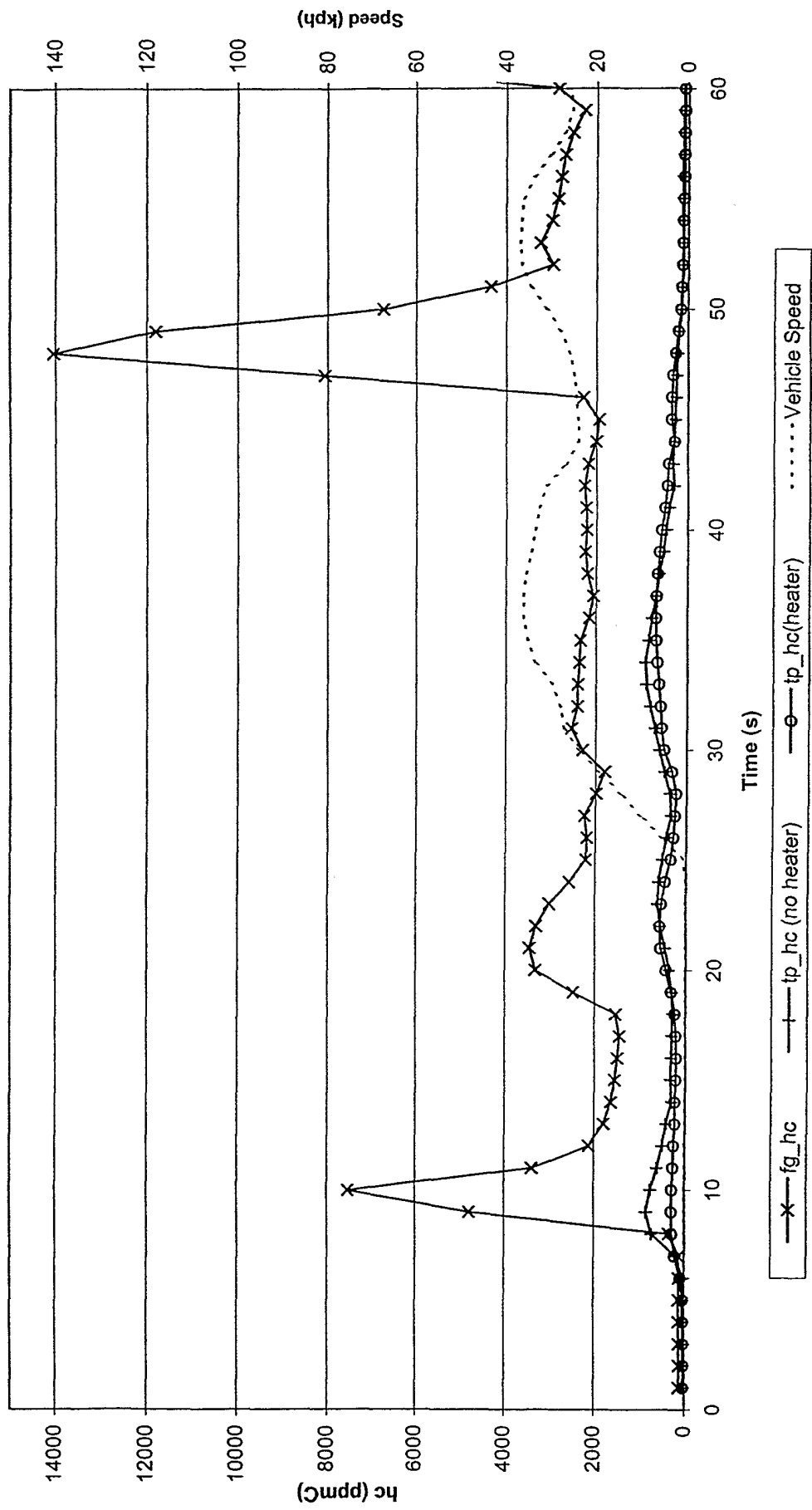


FIG.3



## INTERNATIONAL SEARCH REPORT

International Application No

PCT/GB 01/02199

A. CLASSIFICATION OF SUBJECT MATTER  
 IPC 7 F01N3/08 F01N3/20 F01N3/22

According to International Patent Classification (IPC) or to both national classification and IPC

## B. FIELDS SEARCHED

Minimum documentation searched (classification system followed by classification symbols)

IPC 7 F01N

Documentation searched other than minimum documentation to the extent that such documents are included in the fields searched

Electronic data base consulted during the international search (name of data base and, where practical, search terms used)

EPO-Internal, WPI Data, PAJ

## C. DOCUMENTS CONSIDERED TO BE RELEVANT

Category °	Citation of document, with indication, where appropriate, of the relevant passages	Relevant to claim No.
X	US 5 685 145 A (ANDERSON DENNIS R ET AL) 11 November 1997 (1997-11-11) cited in the application column 8, line 54 -column 9, line 14; figure 2C & WO 96 24756 A (ENGELHARD CORP) 15 August 1996 (1996-08-15)	1,5-9,11
X	DE 198 50 373 A (BAYERISCHE MOTOREN WERKE AG) 4 May 2000 (2000-05-04) column 3, line 40 -column 4, line 41; figure	1,5-7
A	EP 0 561 311 A (BAYERISCHE MOTOREN WERKE AG) 22 September 1993 (1993-09-22) column 5, line 45 -column 7, line 49; figures 1,3	1,5-7
	-/--	

Further documents are listed in the continuation of box C.

Patent family members are listed in annex.

° Special categories of cited documents:

\*A\* document defining the general state of the art which is not considered to be of particular relevance

\*E\* earlier document but published on or after the international filing date

\*L\* document which may throw doubts on priority claim(s) or which is cited to establish the publication date of another citation or other special reason (as specified)

\*O\* document referring to an oral disclosure, use, exhibition or other means

\*P\* document published prior to the international filing date but later than the priority date claimed

\*T\* later document published after the international filing date or priority date and not in conflict with the application but cited to understand the principle or theory underlying the invention

\*X\* document of particular relevance; the claimed invention cannot be considered novel or cannot be considered to involve an inventive step when the document is taken alone

\*Y\* document of particular relevance; the claimed invention cannot be considered to involve an inventive step when the document is combined with one or more other such documents, such combination being obvious to a person skilled in the art.

\*Z\* document member of the same patent family

Date of the actual completion of the international search

31 August 2001

Date of mailing of the international search report

07/09/2001

Name and mailing address of the ISA

European Patent Office, P.B. 5818 Patentlaan 2  
 NL - 2280 HV Rijswijk  
 Tel. (+31-70) 340-2040, Tx. 31 651 epo nl,  
 Fax: (+31-70) 340-3016

Authorized officer

Schmitter, T

## INTERNATIONAL SEARCH REPORT

Intel  International Application No  
PCT/GB 01/02199

G.(Continuation) DOCUMENTS CONSIDERED TO BE RELEVANT		
Category °	Citation of document, with indication, where appropriate, of the relevant passages	Relevant to claim No.
A	EP 0 995 886 A (RENAULT) 26 April 2000 (2000-04-26) column 4, line 19 -column 5, line 7; figure 1  -----	1-4

## INTERNATIONAL SEARCH REPORT

information on patent family members

Intel. l onal Application No

PCT/GB 01/02199

Patent document cited in search report		Publication date	Patent family member(s)	Publication date
US 5685145	A	11-11-1997	EP 0808415 A JP 10513526 T WO 9624756 A	26-11-1997 22-12-1998 15-08-1996
DE 19850373	A	04-05-2000	NONE	
EP 0561311	A	22-09-1993	DE 4208624 A DE 4240012 A DE 59303286 D	23-09-1993 01-06-1994 29-08-1996
EP 0995886	A	26-04-2000	FR 2784713 A	21-04-2000