

(19) World Intellectual Property Organization
International Bureau



(43) International Publication Date
3 November 2011 (03.11.2011)

(10) International Publication Number
WO 2011/137010 A3

(51) International Patent Classification:
H01L 21/3065 (2006.01)

(21) International Application Number:
PCT/US2011/033332

(22) International Filing Date:
20 April 2011 (20.04.2011)

(25) Filing Language: English

(26) Publication Language: English

(30) Priority Data:
61/330,041 30 April 2010 (30.04.2010) US
12/907,947 19 October 2010 (19.10.2010) US

(71) Applicant (for all designated States except US): **APPLIED MATERIALS, INC.** [US/US]; 3050 Bowers Avenue, Santa Clara, California 95054 (US).

(72) Inventors; and

(75) Inventors/Applicants (for US only): **LEE, Jared Ahmad** [US/US]; 121 Buckingham Drive, #32, Santa Clara, California 95051 (US). **SALINAS, Martin Jeff** [US/US]; 591 North Clover Avenue, San Jose, California 95128 (US). **AGARWAL, Ankur** [IN/US]; 200 East Dana Street, Apt. D93, Mountain View, California 94041 (US). **GOLD, Ezra Robert** [US/US]; 180 Elm Court, #1805, Sunnyvale, California 94086 (US). **CRUSE, James P.** [US/US]; 422 Treveltham Avenue, Santa Cruz, California 95010 (US). **PAL, Aniruddha** [IN/US]; 3665 Benton

Street, #141, Santa Clara, California 95051 (US). **NGUYEN, Andrew** [US/US]; 3148 Hostetter Road, San Jose, California 95132 (US).

(74) Agent: **TABOADA, Alan**; Moser IP Law Group, 1030 Broad Street, Suite 203, Shrewsbury, New Jersey 07702 (US).

(81) Designated States (unless otherwise indicated, for every kind of national protection available): AE, AG, AL, AM, AO, AT, AU, AZ, BA, BB, BG, BH, BR, BW, BY, BZ, CA, CH, CL, CN, CO, CR, CU, CZ, DE, DK, DM, DO, DZ, EC, EE, EG, ES, FI, GB, GD, GE, GH, GM, GT, HN, HR, HU, ID, IL, IN, IS, JP, KE, KG, KM, KN, KP, KR, KZ, LA, LC, LK, LR, LS, LT, LU, LY, MA, MD, ME, MG, MK, MN, MW, MX, MY, MZ, NA, NG, NI, NO, NZ, OM, PE, PG, PH, PL, PT, RO, RS, RU, SC, SD, SE, SG, SK, SL, SM, ST, SV, SY, TH, TJ, TM, TN, TR, TT, TZ, UA, UG, US, UZ, VC, VN, ZA, ZM, ZW.

(84) Designated States (unless otherwise indicated, for every kind of regional protection available): ARIPO (BW, GH, GM, KE, LR, LS, MW, MZ, NA, SD, SL, SZ, TZ, UG, ZM, ZW), Eurasian (AM, AZ, BY, KG, KZ, MD, RU, TJ, TM), European (AL, AT, BE, BG, CH, CY, CZ, DE, DK, EE, ES, FI, FR, GB, GR, HR, HU, IE, IS, IT, LT, LU, LV, MC, MK, MT, NL, NO, PL, PT, RO, RS, SE, SI, SK, SM, TR), OAPI (BF, BJ, CF, CG, CI, CM, GA, GN, GQ, GW, ML, MR, NE, SN, TD, TG).

[Continued on next page]

(54) Title: APPARATUS FOR RADIAL DELIVERY OF GAS TO A CHAMBER AND METHODS OF USE THEREOF

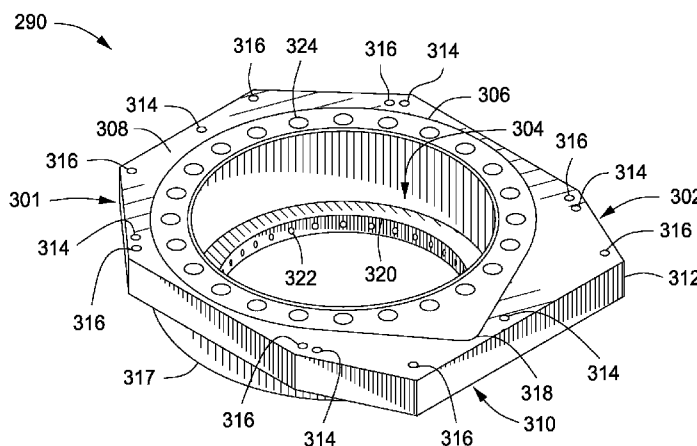


FIG. 3

(57) Abstract: Apparatus for the delivery of a gas to a chamber and methods of use thereof are provided herein. In some embodiments, a gas distribution system for a process chamber may include a body having a first surface configured to couple the body to an interior surface of a process chamber, the body having an opening disposed through the body; a flange disposed proximate a first end of the opening opposite the first surface of the body, the flange extending inwardly into the opening and configured to support a window thereon; and a plurality of gas distribution channels disposed within the body and fluidly coupling a channel disposed within the body and around the opening to a plurality of holes disposed in the flange, wherein the plurality of holes are disposed radially about the flange.



WO 2011/137010 A3



Published:

(88) Date of publication of the international search report:

8 March 2012

- *with international search report (Art. 21(3))*
- *before the expiration of the time limit for amending the claims and to be republished in the event of receipt of amendments (Rule 48.2(h))*

INTERNATIONAL SEARCH REPORT

International application No.
PCT/US2011/033332**A. CLASSIFICATION OF SUBJECT MATTER****H01L 21/3065(2006.01)i**

According to International Patent Classification (IPC) or to both national classification and IPC

B. FIELDS SEARCHED

Minimum documentation searched (classification system followed by classification symbols)

H01L 21/3065; H01L 21/302; C23F 1/00; H01L 21/306; H01L 21/8238; C23C 16/00

Documentation searched other than minimum documentation to the extent that such documents are included in the fields searched

Korean utility models and applications for utility models
Japanese utility models and applications for utility models

Electronic data base consulted during the international search (name of data base and, where practicable, search terms used)

eKOMPASS(KIPO internal) & Keywords: gas distribution, opening, flange, window, channel

C. DOCUMENTS CONSIDERED TO BE RELEVANT

Category*	Citation of document, with indication, where appropriate, of the relevant passages	Relevant to claim No.
A	WO 2010-042410 A2 (APPLIED MATERIALS, INC. et al.) 15 April 2010 See abstract; paragraphs [0044]-[0088]; and figures 2, 4, 6.	1-14
A	US 2004-0261720 A1 (YURI NIKOLAEVICH TOLMACHEV et al.) 30 December 2004 See abstract; paragraphs [0036]-[0053]; and figure 4.	1-14
A	US 2006-0113038 A1 (SUDHIR GONDHALEKAR et al.) 01 June 2006 See abstract; paragraphs [0016]-[0036]; and figures 1-4.	1-14
A	US 2002-0078893 A1 (RON VAN OS et al.) 27 June 2002 See abstract; paragraph [0028]-[0058]; and figures 2-4.	1-14
A	US 2007-0231992 A1 (VAIDYANATHAN BALASUBRAMANIAM) 04 October 2007 See abstract; paragraphs [0050]-[0064]; and figures 3-4, 6A-8B.	1-14

 Further documents are listed in the continuation of Box C. See patent family annex.

* Special categories of cited documents:

"A" document defining the general state of the art which is not considered to be of particular relevance

"E" earlier application or patent but published on or after the international filing date

"L" document which may throw doubts on priority claim(s) or which is cited to establish the publication date of citation or other special reason (as specified)

"O" document referring to an oral disclosure, use, exhibition or other means

"P" document published prior to the international filing date but later than the priority date claimed

"T" later document published after the international filing date or priority date and not in conflict with the application but cited to understand the principle or theory underlying the invention

"X" document of particular relevance; the claimed invention cannot be considered novel or cannot be considered to involve an inventive step when the document is taken alone

"Y" document of particular relevance; the claimed invention cannot be considered to involve an inventive step when the document is combined with one or more other such documents, such combination being obvious to a person skilled in the art

"&" document member of the same patent family

Date of the actual completion of the international search

11 JANUARY 2012 (11.01.2012)

Date of mailing of the international search report

12 JANUARY 2012 (12.01.2012)

Name and mailing address of the ISA/KR

Korean Intellectual Property Office
Government Complex-Daejeon, 189 Cheongsu-ro,
Seo-gu, Daejeon 302-701, Republic of Korea

Facsimile No. 82-42-472-7140

Authorized officer

CHOI, SANGWON

Telephone No. 82-42-481-5695



INTERNATIONAL SEARCH REPORT

Information on patent family members

International application No.

PCT/US2011/033332

Patent document cited in search report	Publication date	Patent family member(s)	Publication date
WO 2010-042410 A2	15.04.2010	KR 10-2011-0079832 A	08.07.2011
		TW 201025482 A	01.07.2010
		US 2010-0133255 A1	03.06.2010
		WO 2010-042410 A3	10.06.2010
		WO 2010-042410 A3	15.04.2010
US 2004-0261720 A1	30.12.2004	CN 1574199 A	02.02.2005
		CN 1574199 C0	11.06.2008
		JP 2005-019968 A	20.01.2005
		KR 10-0988085 B1	18.10.2010
		KR 10-2005-0000727 A	06.01.2005
		US 7210424 B2	01.05.2007
US 2006-0113038 A1	01.06.2006	CN 101065513 A0	31.10.2007
		CN 101065513 B	12.05.2010
		JP 2008-522416 A	26.06.2008
		JP 2008-522416 T	26.06.2008
		KR 10-0927495 B1	19.11.2009
		KR 10-2007-0086758 A	27.08.2007
		US 2008-0041821 A1	21.02.2008
		US 7722737 B2	25.05.2010
		WO 2006-058240 A1	01.06.2006
US 2002-0078893 A1	27.06.2002	CN 1160479 C0	04.08.2004
		CN 1189859 A0	05.08.1998
		EP 0839217 A1	03.03.2004
		EP 0839217 A4	04.04.2001
		EP 0839217 B1	21.06.2006
		JP 03701390 B2	28.09.2005
		JP 09-167762 A	24.06.1997
		KR 10-0241171 B1	01.02.2000
		US 05792272A A	11.08.1998
		US 06001267A A	14.12.1999
		US 6178918 B1	30.01.2001
		US 6375750 B1	23.04.2002
		WO 97-03224 A1	30.01.1997
		US 2007-0231992 A1	04.10.2007
US 7759249 B2	20.07.2010		