



US00D863000S

(12) **United States Design Patent**  
**Shull**

(10) **Patent No.:** **US D863,000 S**

(45) **Date of Patent:** **\*\* Oct. 15, 2019**

- (54) **SHOVEL WITH INVERTED TIP**
- (71) Applicant: **Timothy Shull**, Lakeway, TX (US)
- (72) Inventor: **Timothy Shull**, Lakeway, TX (US)
- (\*\*) Term: **15 Years**
- (21) Appl. No.: **29/610,363**
- (22) Filed: **Jul. 12, 2017**
- (51) **LOC (12) Cl.** ..... **08-01**
- (52) **U.S. Cl.**  
USPC ..... **D8/1**
- (58) **Field of Classification Search**  
USPC ..... D8/1, 10, 9; D30/162; D21/532  
CPC .... E01H 5/02; A01B 1/02; A01B 1/04; A01B  
1/08; A01B 1/22; A01B 1/026; A01B  
1/222; A46B 15/0055  
See application file for complete search history.

D495,568 S *	9/2004	Register	.....	D8/10
D596,470 S *	7/2009	Greenly	.....	D8/10
D653,510 S *	2/2012	Huff	.....	D8/10
D699,086 S *	2/2014	Christopher	.....	D8/10
D699,528 S *	2/2014	Randolph	.....	D8/10
D699,529 S *	2/2014	Randolph	.....	D8/10
D712,219 S *	9/2014	Randolph	.....	D8/10
D716,117 S *	10/2014	Nicholson	.....	D8/10
D756,727 S *	5/2016	Cosyleon	.....	D8/10
D760,563 S *	7/2016	Randolph	.....	D8/10
D773,261 S *	12/2016	Ward	.....	D8/10
D810,527 S *	2/2018	Baker	.....	D8/10

\* cited by examiner

*Primary Examiner* — Sheryl Lane

(57) **CLAIM**

The ornamental design of a shovel with an inverted tip, substantially as shown and described.

**DESCRIPTION**

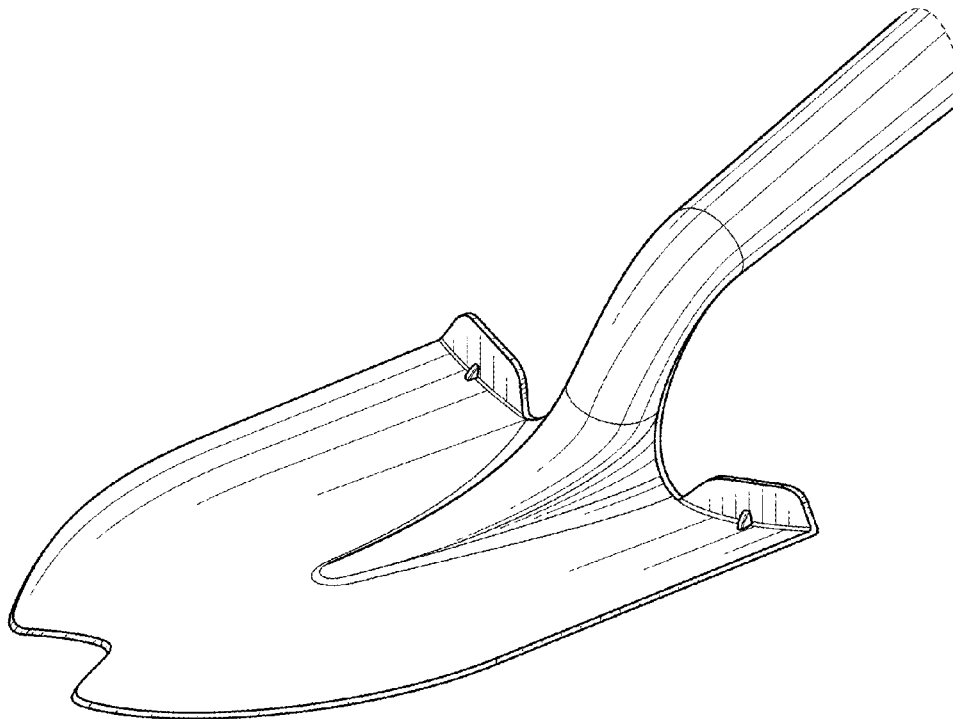
FIG. 1 is a front perspective view of a shovel with an inverted tip in accordance with the present invention; FIG. 2 is a front view thereof; FIG. 3 is a rear view thereof; FIG. 4 is a first side view thereof; FIG. 5 is a second side view thereof; FIG. 6 is a top view thereof; and, FIG. 7 is a bottom view thereof. The broken lines represent the boundaries of the claim and form no part of the claimed design.

**1 Claim, 5 Drawing Sheets**

(56) **References Cited**

**U.S. PATENT DOCUMENTS**

1,687,986 A *	10/1928	Miller	.....	A01B 1/08 172/381
D102,957 S *	1/1937	Renner	.....	D8/10
3,020,077 A *	2/1962	Rokos	.....	A01B 1/04 172/380
D319,952 S *	9/1991	Harvey, Sr.	.....	D8/10
D407,955 S *	4/1999	Bierman	.....	D8/10
D492,885 S *	7/2004	Whitlock	.....	D8/10



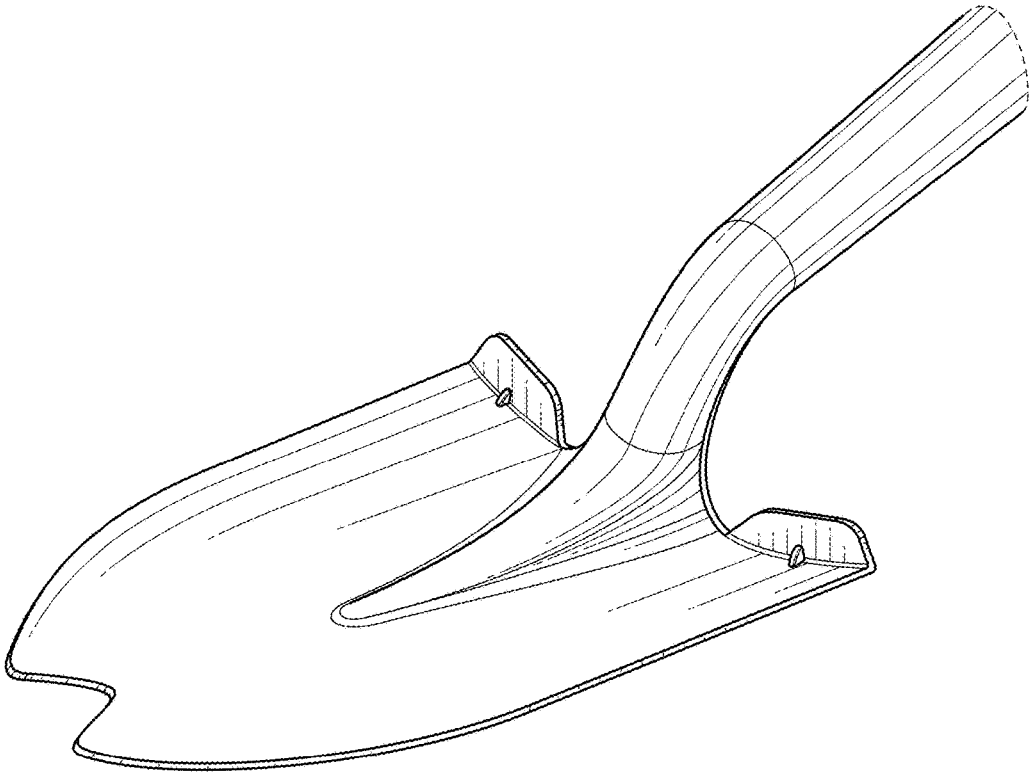


FIG. 1

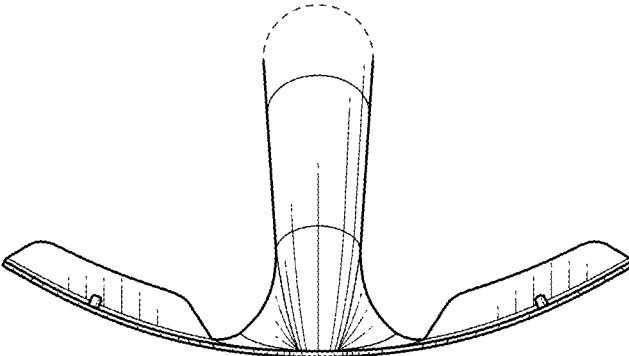


FIG. 2

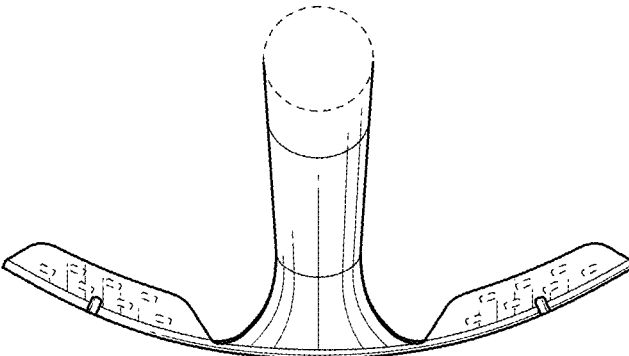


FIG. 3

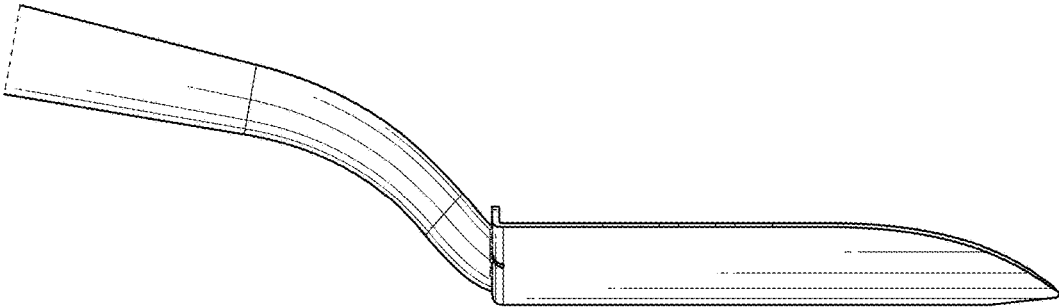


FIG. 4

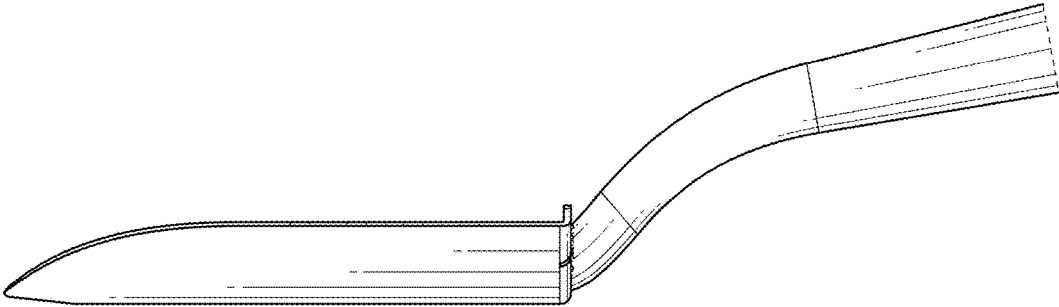


FIG. 5

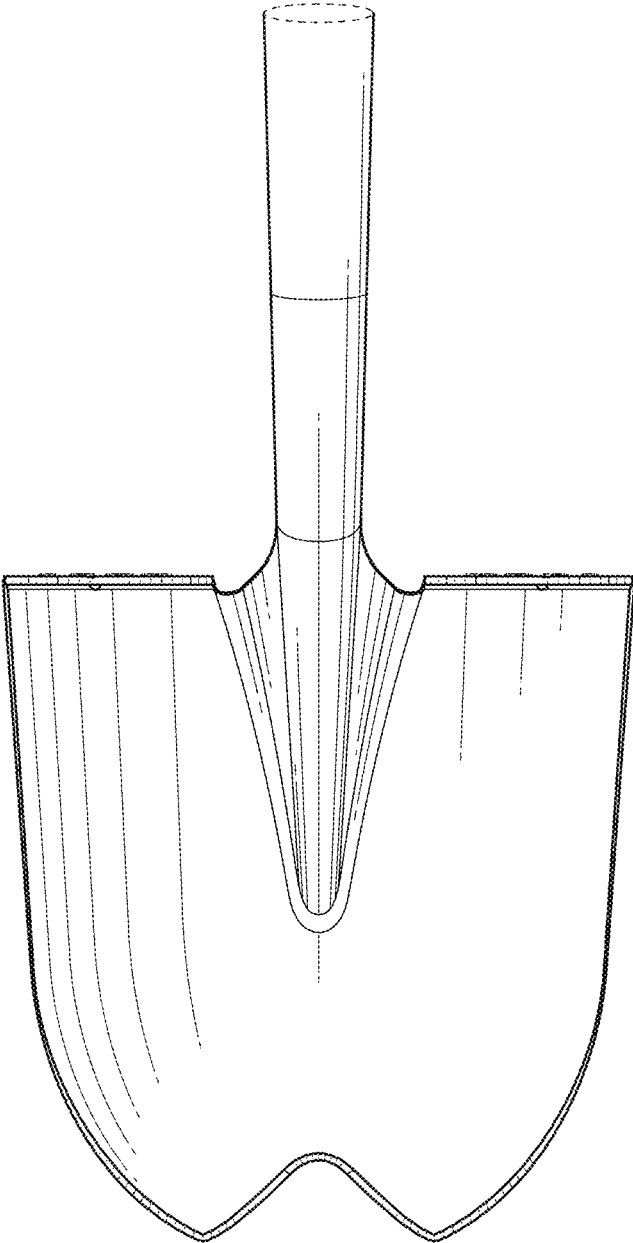


FIG. 6

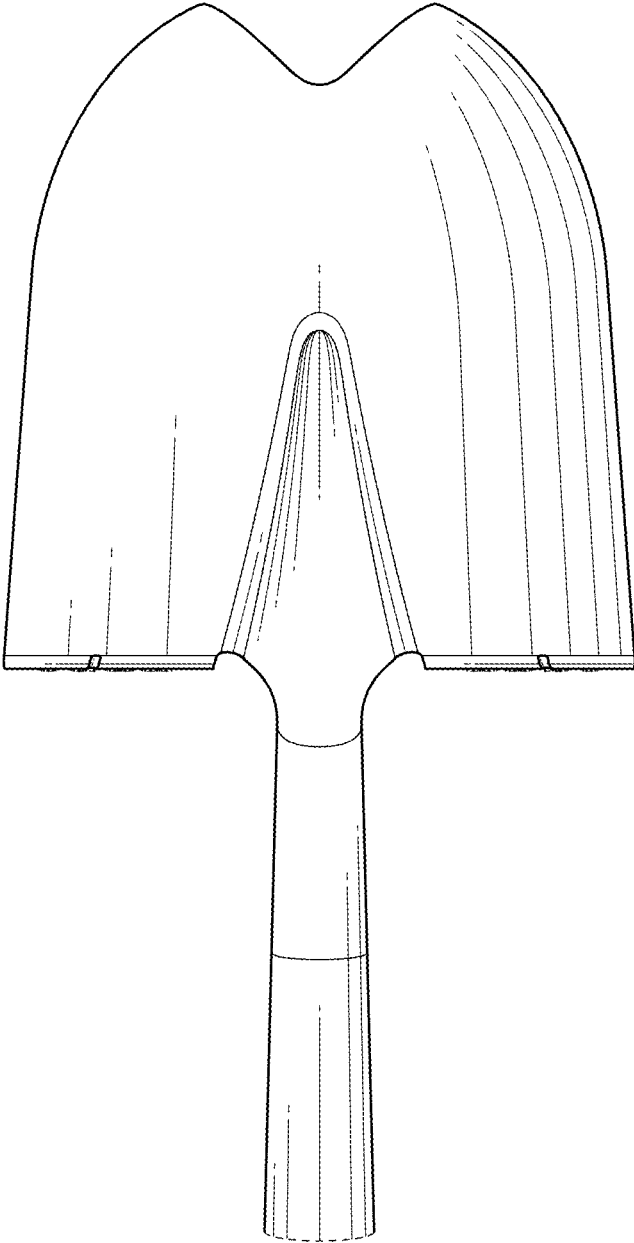


FIG. 7