



US00D655182S

(12) **United States Design Patent**
Kraft et al.

(10) **Patent No.:** **US D655,182 S**

(45) **Date of Patent:** **** Mar. 6, 2012**

(54) **BOTTLE**

(75) Inventors: **Richard Kraft**, Shorewood, IL (US);
Bryan J. Lembke, Crystal Lake, IL (US)

(73) Assignee: **Tropicana Products, Inc.**, Bradenton,
FL (US)

(**) Term: **14 Years**

(21) Appl. No.: **29/405,479**

(22) Filed: **Nov. 2, 2011**

Related U.S. Application Data

(62) Division of application No. 29/377,079, filed on Oct.
15, 2010.

(51) **LOC (9) Cl.** **09-01**

(52) **U.S. Cl.** **D9/560; D9/570; D9/571; D9/574**

(58) **Field of Classification Search** D9/682,
D9/684, 686, 693-694, 516, 537-544, 546,
D9/556-561, 569-571, 574-575; 215/381-385;
D24/121, 197-199, 224

See application file for complete search history.

(56) **References Cited**

U.S. PATENT DOCUMENTS

D30,758 S	5/1899	Wipf	
1,127,141 A *	2/1915	Whitcomb	215/382
D110,262 S	4/1938	Steuer	
D178,258 S	7/1956	North	
2,893,678 A *	7/1959	Homan et al.	215/384 X
D201,052 S	5/1965	Josephsen	
3,225,950 A	12/1965	Fulcher et al.	
D203,883 S	2/1966	Wood	
D203,884 S	2/1966	Wood	
3,464,546 A	9/1969	Thomka	
D227,343 S	6/1973	Finkel	
4,308,955 A	1/1982	Schieser et al.	
D264,942 S	6/1982	Schieser et al.	
D266,741 S	11/1982	Cox	

D268,324 S	3/1983	Gautier
D272,889 S	3/1984	Walton
D275,267 S	8/1984	Gautier
D292,378 S	10/1987	Brandt et al.
D308,482 S	6/1990	Wild
D329,868 S	9/1992	Sakaguchi et al.
D347,391 S	5/1994	Guertin

(Continued)

FOREIGN PATENT DOCUMENTS

CA 92746 6/2001

(Continued)

OTHER PUBLICATIONS

Canadian Trademark Application No. 1368594, Filed Oct. 23, 2007,
Ogilvy Renault LLP/S.E.N.C.R.L., S.R.L.

Primary Examiner — Carol P Rademaker

(74) *Attorney, Agent, or Firm* — Banner & Witcoff, Ltd.

(57) **CLAIM**

The ornamental design for a bottle, as shown and described.

DESCRIPTION

FIG. 1 is a top, front, left perspective view of a bottle showing
our new design;

FIG. 2 is a bottom, front, left perspective view thereof;

FIG. 3 is a front elevational view thereof;

FIG. 4 is a right side elevational view thereof;

FIG. 5 is a rear elevational view thereof;

FIG. 6 is a left side elevational view thereof;

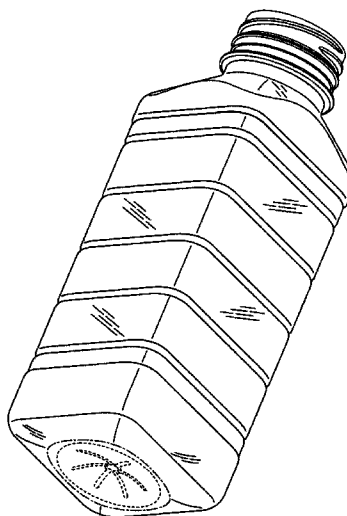
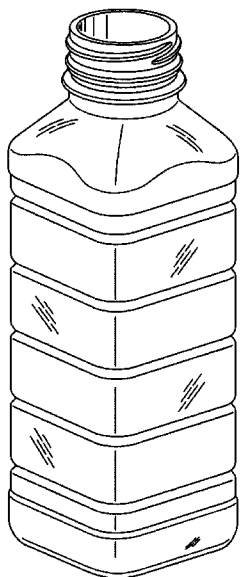
FIG. 7 is a top plan view thereof; and,

FIG. 8 is a bottom plan view thereof.

The dot-dash-dot-dash broken lines shown in the drawings
represent unclaimed boundaries of the claimed design.

The dot-dot-dot-dot broken lines shown in the drawings are
included for the purpose of illustrating environmental struc-
ture and form no part of the claimed design.

1 Claim, 5 Drawing Sheets



US D655,182 S

Page 2

U.S. PATENT DOCUMENTS

D351,341 S 10/1994 Hung
 5,632,397 A * 5/1997 Fandoux et al. 215/382
 D379,763 S 6/1997 Ewing, Jr.
 D382,807 S 8/1997 Silvers et al.
 D398,539 S 9/1998 Guislain
 D400,794 S 11/1998 Takeuchi et al.
 D403,620 S 1/1999 Taylor
 D414,700 S * 10/1999 Zogg D9/557 X
 D423,366 S 4/2000 Gans
 D423,935 S 5/2000 Frazer
 D426,161 S 6/2000 Hestehave et al.
 D426,164 S 6/2000 Gans et al.
 D426,469 S 6/2000 Mankowski et al.
 D427,910 S * 7/2000 Barnes et al. D9/502
 D435,455 S 12/2000 Gans
 D436,033 S * 1/2001 Croft et al. D9/560 X
 6,230,912 B1 5/2001 Rashid
 D444,391 S 7/2001 Bansal et al.
 D448,674 S 10/2001 Mooney
 D448,675 S 10/2001 Thierjung
 6,296,131 B2 * 10/2001 Rashid 215/383
 D455,656 S 4/2002 Gans et al.
 6,457,602 B2 * 10/2002 Uchiyama 220/669
 D465,418 S 11/2002 Thierjung
 D466,022 S 11/2002 Hirst et al.
 D467,507 S 12/2002 Bryant et al.
 D468,645 S 1/2003 Nelson et al.
 D471,466 S 3/2003 Nelson et al.
 D475,615 S 6/2003 Podlucky
 D476,576 S 7/2003 Hirst et al.
 D477,230 S * 7/2003 Takaichi D9/539 X
 D482,978 S 12/2003 Nelson
 D486,739 S 2/2004 Taylor et al.
 D498,143 S 11/2004 Rashid
 D506,142 S 6/2005 Gauthier
 D521,868 S 5/2006 Arima
 D530,212 S 10/2006 Darr et al.
 D531,913 S 11/2006 Heisner et al.
 D541,656 S 5/2007 Martin
 D542,668 S 5/2007 Arthur et al.
 D542,669 S 5/2007 Arthur et al.
 D543,863 S 6/2007 Archeny et al.
 D552,478 S 10/2007 Melrose et al.
 D557,612 S 12/2007 Slimane
 D558,584 S 1/2008 Blank
 7,350,657 B2 4/2008 Eaton et al.
 D580,270 S 11/2008 Futral
 D587,126 S 2/2009 DeSico et al.
 D588,466 S 3/2009 Sukhanovskiy
 7,520,399 B2 4/2009 Lane et al.
 D594,751 S 6/2009 Bourne
 D599,673 S 9/2009 Bourne
 D601,906 S 10/2009 Leruste
 D605,952 S 12/2009 Inoi et al.
 D607,338 S 1/2010 Zoppas
 D607,743 S 1/2010 Eble

D608,211 S 1/2010 Eble
 D611,816 S * 3/2010 Bangi et al. D9/502
 D612,247 S 3/2010 Lembke
 D612,256 S 3/2010 Wurster et al.
 D612,257 S 3/2010 Wurster et al.
 7,673,764 B2 3/2010 Sabold
 D618,111 S 6/2010 Kaminski et al.
 D619,468 S 7/2010 Lembke
 D623,955 S 9/2010 Lembke
 7,837,049 B2 * 11/2010 Boukobza 215/381
 D631,753 S 2/2011 Russell et al.
 D632,182 S 2/2011 Russell et al.
 D641,244 S * 7/2011 Bysick et al. D9/502
 D642,922 S 8/2011 Kuzma et al.
 D644,108 S * 8/2011 Vila Calvo D9/560 X
 2006/0175284 A1 8/2006 Noll et al.
 2008/0093331 A1 * 4/2008 Roubal et al. 215/382
 2010/0270259 A1 10/2010 Russell et al.
 2011/0049085 A1 3/2011 Lembke

FOREIGN PATENT DOCUMENTS

CA 93049 7/2001
 CA 94765 2/2002
 CA 97717 2/2003
 CA 97718 2/2003
 CA 102161 3/2003
 CA 98470 4/2003
 CA 98471 4/2004
 CA 104823 11/2004
 CA 105677 7/2005
 CA 108474 7/2006
 CA 108475 7/2006
 CA 110397 11/2006
 CA 113924 6/2007
 CA 115605 9/2007
 CA 115975 11/2007
 CA 115976 11/2007
 CA 116099 3/2008
 CA 120261 3/2008
 CA 120301 6/2008
 CA 123214 6/2008
 CA 123274 9/2008
 CA 124296 10/2008
 CA 124855 10/2008
 CA 124856 10/2008
 CA 124973 11/2008
 CA 125637 1/2009
 CA 124974 3/2009
 CA 131154 1/2010
 CA 131155 1/2010
 CA 132524 6/2010
 CA 132883 6/2010
 CA 135522 6/2010
 CA 135523 6/2010
 CA 135525 6/2010
 CA 129982 7/2010

* cited by examiner

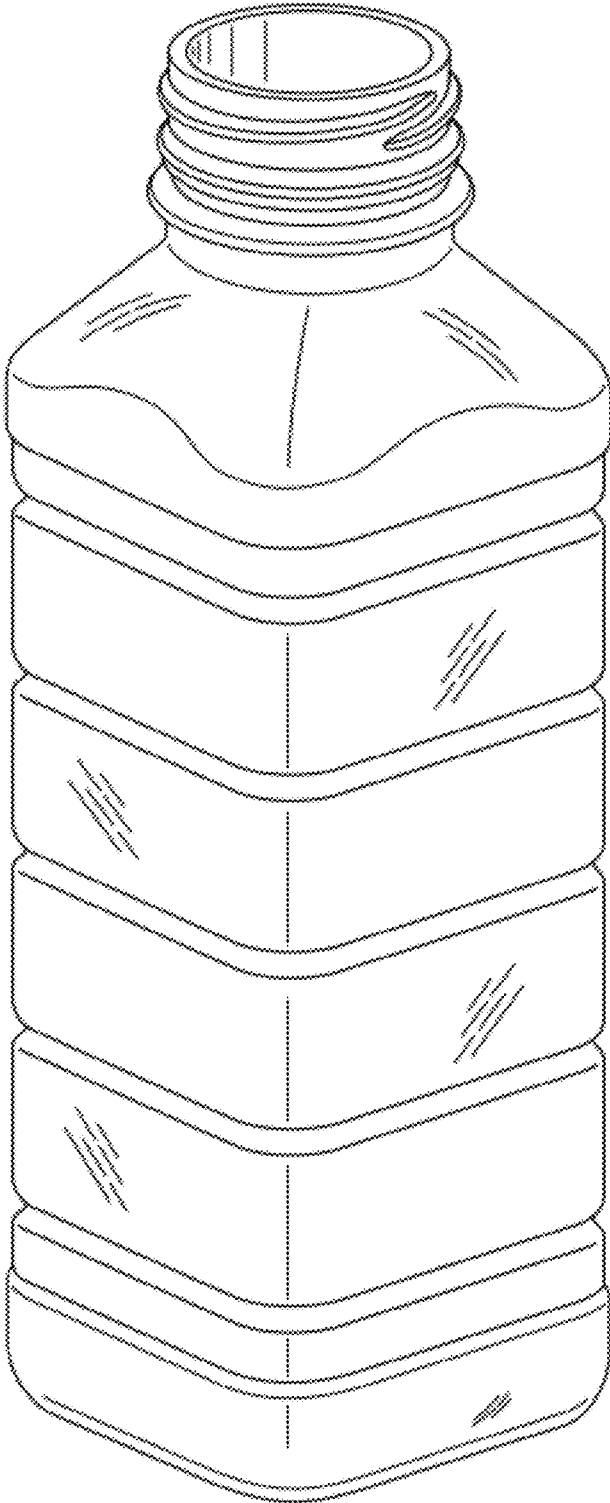


FIG. 1

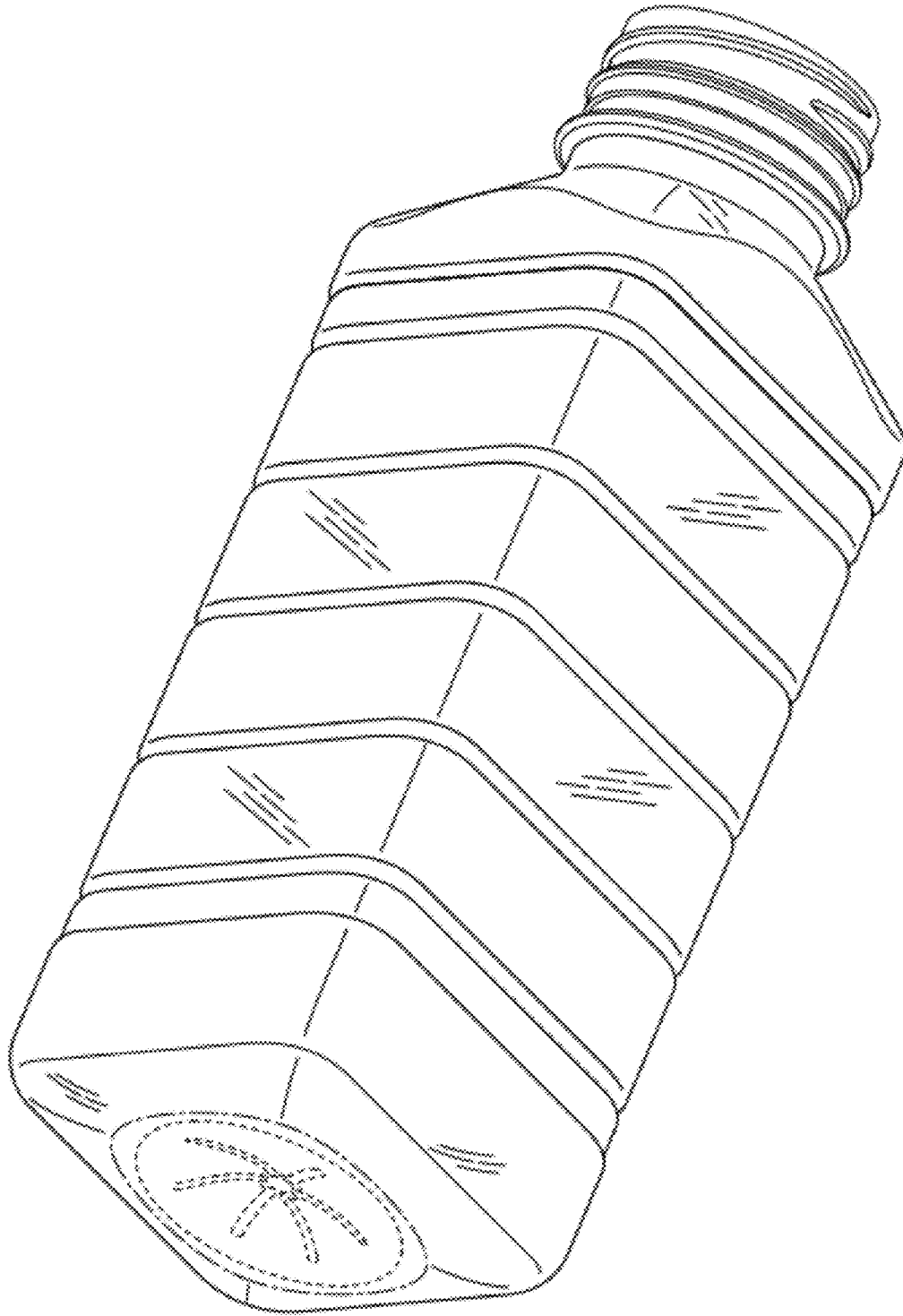


FIG. 2

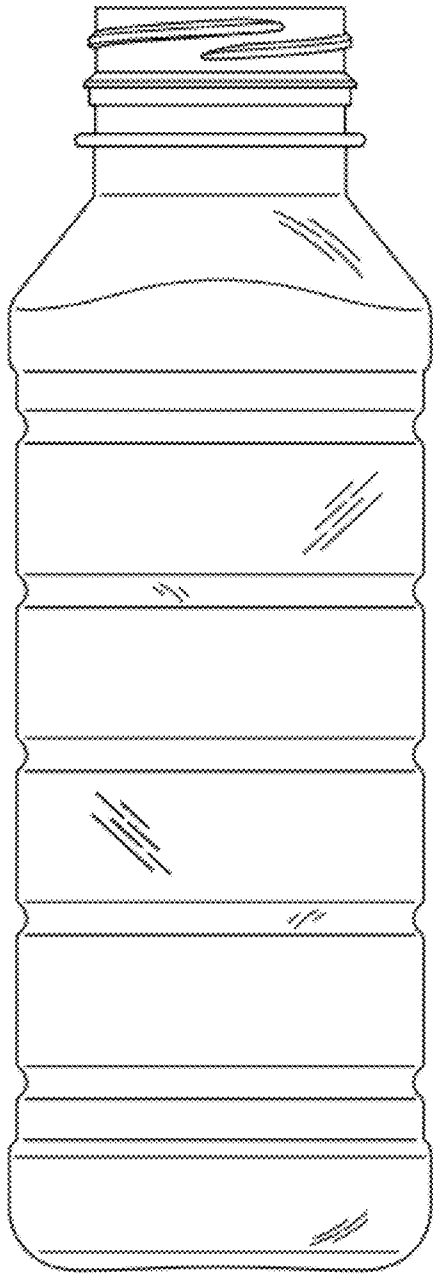


FIG. 3

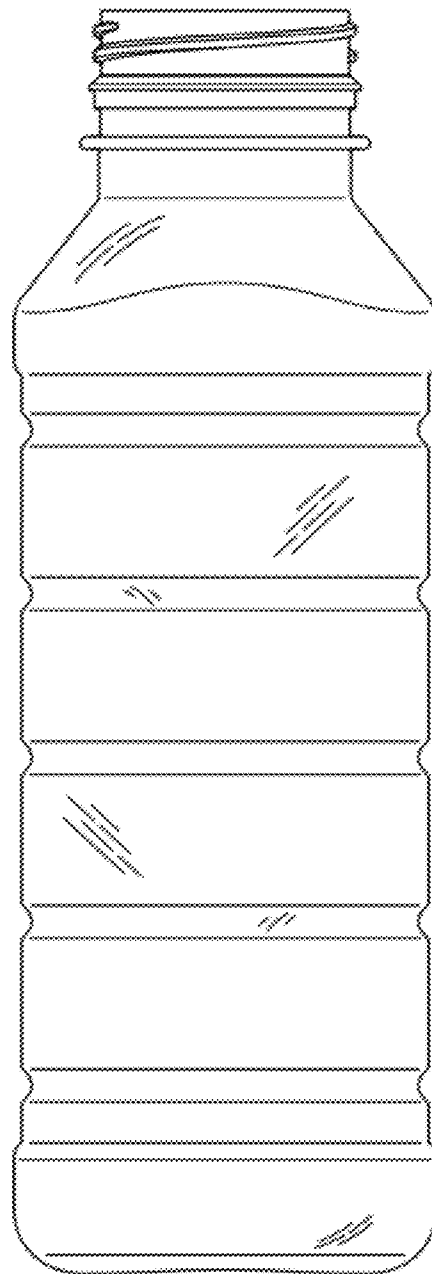


FIG. 4

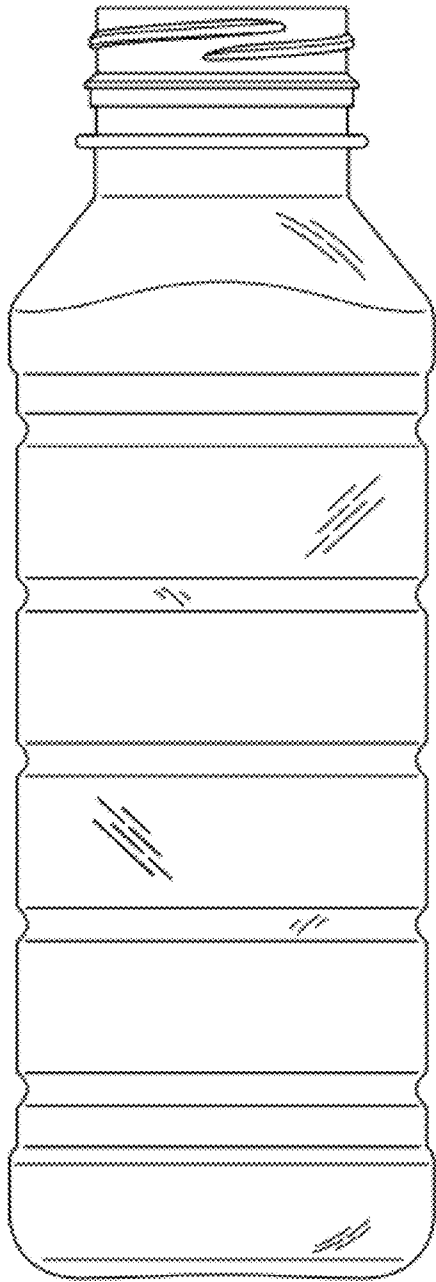


FIG. 5

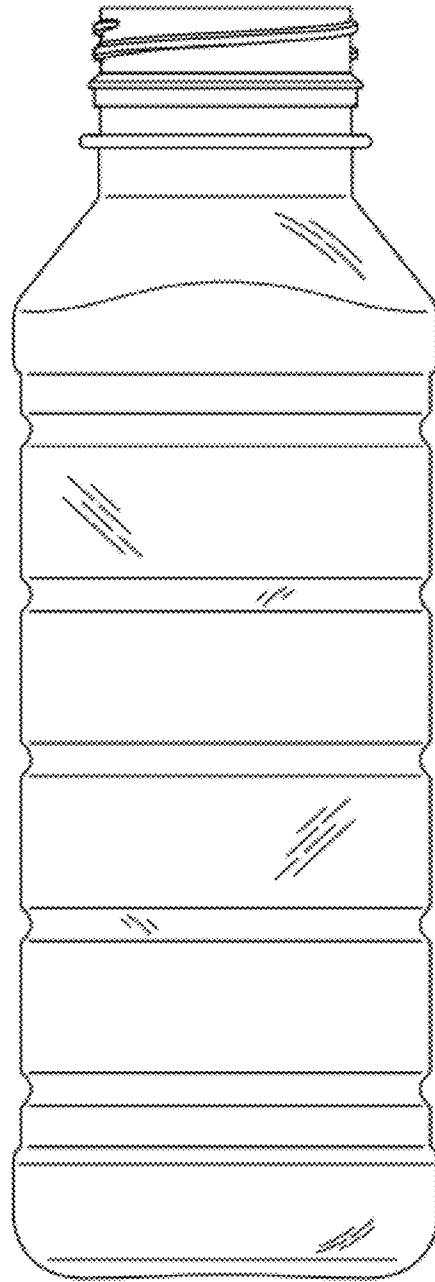


FIG. 6

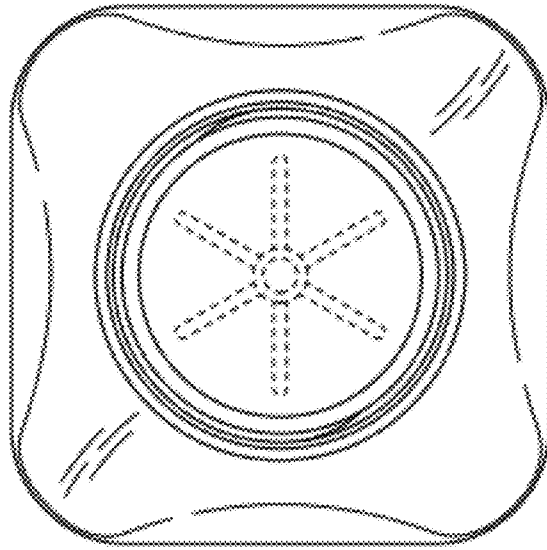


FIG. 7

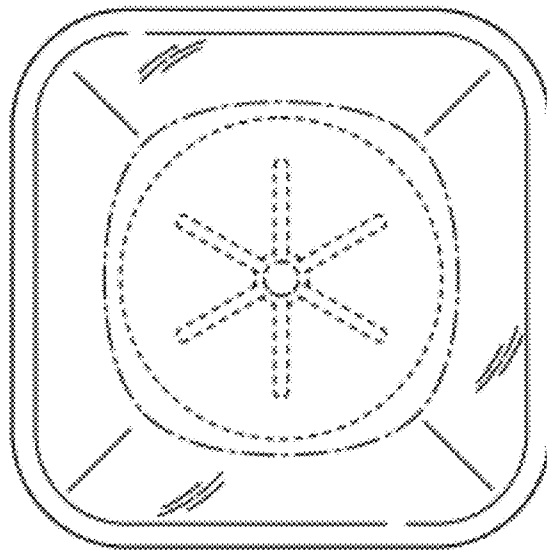


FIG. 8