



- (51) **International Patent Classification:**
G06F 3/048 (2006.01) *G06F 17/30* (2006.01)
- (21) **International Application Number:**
PCT/US2011/060651
- (22) **International Filing Date:**
14 November 2011 (14.11.2011)
- (25) **Filing Language:** English
- (26) **Publication Language:** English
- (30) **Priority Data:**
12/953,366 23 November 2010 (23.11.2010) US
- (71) **Applicant (for all designated States except US):** **APPLE INC.** [US/US]; 1 Infinite Loop, MS: 3-SU, Cupertino, CA 95014-2084 (US).
- (72) **Inventors; and**
- (75) **Inventors/Applicants (for US only):** **GOOSSENS, Thomas** [FR/FR]; 9 rue des Dames, 75017 Paris (FR). **BAUMANN, Laurent** [FR/US]; 2 Infinite Loop, MS 302-2HI, Cupertino, CA 95014 (US).
- (74) **Agents:** **SUN, Liying** et al.; Fish & Richardson P.C., P.O. Box 1022, Minneapolis, MN 55440-1022 (US).
- (81) **Designated States (unless otherwise indicated, for every kind of national protection available):** AE, AG, AL, AM, AO, AT, AU, AZ, BA, BB, BG, BH, BR, BW, BY, BZ,

CA, CH, CL, CN, CO, CR, CU, CZ, DE, DK, DM, DO, DZ, EC, EE, EG, ES, FI, GB, GD, GE, GH, GM, GT, HN, HR, HU, ID, IL, IN, IS, JP, KE, KG, KM, KN, KP, KR, KZ, LA, LC, LK, LR, LS, LT, LU, LY, MA, MD, ME, MG, MK, MN, MW, MX, MY, MZ, NA, NG, NI, NO, NZ, OM, PE, PG, PH, PL, PT, QA, RO, RS, RU, RW, SC, SD, SE, SG, SK, SL, SM, ST, SV, SY, TH, TJ, TM, TN, TR, TT, TZ, UA, UG, US, UZ, VC, VN, ZA, ZM, ZW.

(84) **Designated States (unless otherwise indicated, for every kind of regional protection available):** ARIPO (BW, GH, GM, KE, LR, LS, MW, MZ, NA, RW, SD, SL, SZ, TZ, UG, ZM, ZW), Eurasian (AM, AZ, BY, KG, KZ, MD, RU, TJ, TM), European (AL, AT, BE, BG, CH, CY, CZ, DE, DK, EE, ES, FI, FR, GB, GR, HR, HU, IE, IS, IT, LT, LU, LV, MC, MK, MT, NL, NO, PL, PT, RO, RS, SE, SI, SK, SM, TR), OAPI (BF, BJ, CF, CG, CI, CM, GA, GN, GQ, GW, ML, MR, NE, SN, TD, TG).

Published:

- with international search report (Art. 21(3))
- before the expiration of the time limit for amending the claims and to be republished in the event of receipt of amendments (Rule 48.2(h))

(88) **Date of publication of the international search report:**
7 September 2012

(54) **Title:** PRESENTING AND BROWSING ITEMS IN A TILTED 3D SPACE

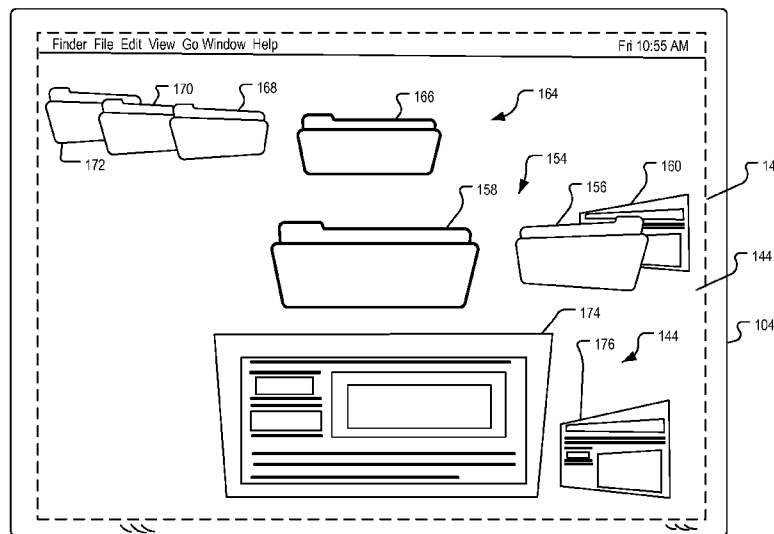


FIG. 1H

(57) **Abstract:** Methods, systems, and computer-readable media for presenting and browsing items in a tilted 3D space are disclosed. In tilted viewing mode, groups of items from several consecutive levels of a hierarchy can be presented in respective browsable parades shown at different depths into a viewable region of the tilted 3D space. The user can browse laterally across each browsable parade, and browse up and down the hierarchy within the tilted 3D space. With the combination of browsing laterally across the parades presented in the viewable region of the tilted 3D space and browsing up and down the hierarchy along the depth dimension of the 3D space, the user can navigate the entirety of the hierarchy in the tilted 3D space.

WO 2012/071209 A3

INTERNATIONAL SEARCH REPORT

International application No
PCT/US2011/060651

A. CLASSIFICATION OF SUBJECT MATTER
 INV. G06F3/048 G06F17/30
 ADD.

According to International Patent Classification (IPC) or to both national classification and IPC

B. FIELDS SEARCHED

Minimum documentation searched (classification system followed by classification symbols)
 G06F

Documentation searched other than minimum documentation to the extent that such documents are included in the fields searched

Electronic data base consulted during the international search (name of data base and, where practicable, search terms used)
 EPO-Internal, COMPENDEX, INSPEC, IBM-TDB, WPI Data

C. DOCUMENTS CONSIDERED TO BE RELEVANT

Category*	Citation of document, with indication, where appropriate, of the relevant passages	Relevant to claim No.
X	WO 99/08170 A2 (THEISEN KAREN [US]; JHONG EUGENE [US]) 18 February 1999 (1999-02-18)	1,2,6, 16,17
Y	the whole document	3-5,9
Y	US 2008/307343 A1 (ROBERT JULIEN [FR] ET AL) 11 December 2008 (2008-12-11)	3-5, 7-15,18, 19
Y	paragraphs [0006], [0008], [0041], [0105] - [0115]; figures 23, 24A-24G	
Y	US 2008/062141 A1 (CHANDHRI IMRAN [US]) 13 March 2008 (2008-03-13)	3-5
A	paragraphs [0108] - [0110], [0113], [0134], [0138] - [0151]; figures 7,10,12a,12b,13-17,18	7-15,18, 19
	----- -/--	

Further documents are listed in the continuation of Box C. See patent family annex.

* Special categories of cited documents :

"A" document defining the general state of the art which is not considered to be of particular relevance	"T" later document published after the international filing date or priority date and not in conflict with the application but cited to understand the principle or theory underlying the invention
"E" earlier application or patent but published on or after the international filing date	"X" document of particular relevance; the claimed invention cannot be considered novel or cannot be considered to involve an inventive step when the document is taken alone
"L" document which may throw doubts on priority claim(s) or which is cited to establish the publication date of another citation or other special reason (as specified)	"Y" document of particular relevance; the claimed invention cannot be considered to involve an inventive step when the document is combined with one or more other such documents, such combination being obvious to a person skilled in the art
"O" document referring to an oral disclosure, use, exhibition or other means	"&" document member of the same patent family
"P" document published prior to the international filing date but later than the priority date claimed	

Date of the actual completion of the international search 17 July 2012	Date of mailing of the international search report 26/07/2012
---	--

Name and mailing address of the ISA/ European Patent Office, P.B. 5818 Patentlaan 2 NL - 2280 HV Rijswijk Tel. (+31-70) 340-2040, Fax: (+31-70) 340-3016	Authorized officer Dixon-Hundertpfund
--	--

INTERNATIONAL SEARCH REPORT

International application No
PCT/US2011/060651

C(Continuation). DOCUMENTS CONSIDERED TO BE RELEVANT

Category*	Citation of document, with indication, where appropriate, of the relevant passages	Relevant to claim No.
A	US 6 088 032 A (MACKINLAY JOCK D [US]) 11 July 2000 (2000-07-11) column 3, lines 8-67; figures 15,16 -----	1-19
A	US 5 295 243 A (ROBERTSON GEORGE G [US] ET AL) 15 March 1994 (1994-03-15) column 1, line 48 - column 4, line 6; figures 1-6 -----	1-19
Y	WO 2006/126047 A1 (NOKIA CORP [FI]; WANG KONGQIAO [CN]; TAO RONG [CN]; HAEMAELAEINEN SEPP) 30 November 2006 (2006-11-30) page 17, line 13 - page 25, line 30; figures 4-5g -----	3-5,7,8, 10-15, 18,19

INTERNATIONAL SEARCH REPORT

International application No.
PCT/US2011/060651

Box No. II Observations where certain claims were found unsearchable (Continuation of item 2 of first sheet)

This international search report has not been established in respect of certain claims under Article 17(2)(a) for the following reasons:

1. Claims Nos.:
because they relate to subject matter not required to be searched by this Authority, namely:

2. Claims Nos.:
because they relate to parts of the international application that do not comply with the prescribed requirements to such an extent that no meaningful international search can be carried out, specifically:

3. Claims Nos.:
because they are dependent claims and are not drafted in accordance with the second and third sentences of Rule 6.4(a).

Box No. III Observations where unity of invention is lacking (Continuation of item 3 of first sheet)

This International Searching Authority found multiple inventions in this international application, as follows:

see additional sheet

1. As all required additional search fees were timely paid by the applicant, this international search report covers all searchable claims.

2. As all searchable claims could be searched without effort justifying an additional fees, this Authority did not invite payment of additional fees.

3. As only some of the required additional search fees were timely paid by the applicant, this international search report covers only those claims for which fees were paid, specifically claims Nos.:

4. No required additional search fees were timely paid by the applicant. Consequently, this international search report is restricted to the invention first mentioned in the claims; it is covered by claims Nos.:

Remark on Protest

- The additional search fees were accompanied by the applicant's protest and, where applicable, the payment of a protest fee.
- The additional search fees were accompanied by the applicant's protest but the applicable protest fee was not paid within the time limit specified in the invitation.
- No protest accompanied the payment of additional search fees.

FURTHER INFORMATION CONTINUED FROM PCT/ISA/ 210

This International Searching Authority found multiple (groups of) inventions in this international application, as follows:

1. claims: 1-6, 16, 17

computer-implemented method (or corresponding system or computer-readable medium) for presenting and browsing items of a hierarchy of items in a two-dimensional space (2D), said hierarchy including a plurality of levels, and in response to a user input, transitioning to presenting said items of said hierarchy of items in a three-dimensional (3D) space having a raised viewing angle

2. claims: 7-15, 18, 19

computer-implemented method (or corresponding system or computer-readable medium) for presenting and browsing items of a hierarchy of items in a first viewing mode of a three-dimensional (3D) space having a low viewing angle, said hierarchy including a plurality of levels, and in response to a user input, raising the viewing angle in 3D space, i.e. transitioning to presenting said items of said hierarchy of items in a second viewing mode of three-dimensional (3D) space having a raised viewing angle

INTERNATIONAL SEARCH REPORT

Information on patent family members

International application No PCT/US2011/060651

Patent document cited in search report	Publication date	Patent family member(s)	Publication date	
WO 9908170	A2	18-02-1999	AU 8696598 A	01-03-1999
			US 5877775 A	02-03-1999
			US 6259458 B1	10-07-2001
			WO 9908170 A2	18-02-1999

US 2008307343	A1	11-12-2008	US 2008307343 A1	11-12-2008
			US 2011029925 A1	03-02-2011
			US 2011035699 A1	10-02-2011
			US 2011041094 A1	17-02-2011
			US 2011055759 A1	03-03-2011
			US 2011173538 A1	14-07-2011
			WO 2008153647 A1	18-12-2008

US 2008062141	A1	13-03-2008	AU 2007296558 A1	20-03-2008
			AU 2008101162 A4	08-01-2009
			AU 2008101164 A4	08-01-2009
			AU 2008101171 A4	08-01-2009
			CA 2661200 A1	20-03-2008
			DE 112007002143 T5	02-07-2009
			DE 202007018761 U1	19-03-2009
			DE 202007018762 U1	19-03-2009
			DE 212007000053 U1	12-03-2009
			EP 2064620 A2	03-06-2009
			GB 2455257 A	10-06-2009
			GB 2480573 A	23-11-2011
			JP 2010503130 A	28-01-2010
			KR 20090040462 A	24-04-2009
			KR 20110020954 A	03-03-2011
			KR 20110022742 A	07-03-2011
			US 2008062141 A1	13-03-2008
US 2009172532 A1	02-07-2009			
US 2009198359 A1	06-08-2009			
WO 2008033853 A2	20-03-2008			

US 6088032	A	11-07-2000	NONE	

US 5295243	A	15-03-1994	NONE	

WO 2006126047	A1	30-11-2006	BR PI0612014 A2	13-10-2010
			CN 101185050 A	21-05-2008
			CN 101582010 A	18-11-2009
			EP 1886209 A1	13-02-2008
			EP 2192471 A1	02-06-2010
			HK 1120629 A1	23-04-2010
			US 2006271867 A1	30-11-2006
			US 2007226645 A1	27-09-2007
			WO 2006126047 A1	30-11-2006
ZA 200711015 A	27-01-2010			
