



US00D726770S

(12) **United States Design Patent**
Winiger et al.

(10) **Patent No.:** **US D726,770 S**

(45) **Date of Patent:** **** Apr. 14, 2015**

(54) **MORTAR PUMP**

(71) Applicants: **Gerhard Winiger**, Wald (CH);
Hans-Rudolf Winiger, Rüti (CH)

(72) Inventors: **Gerhard Winiger**, Wald (CH);
Hans-Rudolf Winiger, Rüti (CH)

(**) Term: **14 Years**

(21) Appl. No.: **29/475,890**

(22) Filed: **Dec. 9, 2013**

(51) **LOC (10) Cl.** **15-02**

(52) **U.S. Cl.**
USPC **D15/7; D15/19**

(58) **Field of Classification Search**
USPC D15/7-9, 10, 19; D23/231, 232;
417/359, 415, 416, 410.1, 321, 265,
417/405, 234; 366/15, 42, 45, 53, 54;
404/92

See application file for complete search history.

(56) **References Cited**

U.S. PATENT DOCUMENTS

D124,905 S *	1/1941	Parks	D15/19
D152,872 S *	3/1949	Fleischmann	D15/19
D192,102 S *	1/1962	Machovec	D15/19
3,716,304 A *	2/1973	Coles	415/72
4,213,571 A *	7/1980	Deardorff et al.	241/48

5,261,744 A *	11/1993	Brunn	366/217
D354,289 S *	1/1995	Fortenberry et al.	D15/19
5,878,921 A *	3/1999	Chase et al.	222/333
6,227,813 B1 *	5/2001	Leimer	417/234
D534,551 S *	1/2007	Kushlan	D15/19
D552,627 S *	10/2007	Watson	D15/19
D555,672 S *	11/2007	Watson	D15/19
D589,059 S *	3/2009	Pagotto	D15/7
7,748,920 B2 *	7/2010	Murray	401/11
7,784,996 B1 *	8/2010	Cummer	366/50
D639,312 S *	6/2011	Pereyra	D15/19
D662,516 S *	6/2012	Pellin et al.	D15/7
D668,688 S *	10/2012	Kennard	D15/19
D672,789 S *	12/2012	Bongiovanni	D15/19

* cited by examiner

Primary Examiner — Mark Goodwin

(57) **CLAIM**

The ornamental design for a mortar pump, as shown and described.

DESCRIPTION

FIG. 1 is a perspective view of a mortar pump showing our new design;

FIG. 2 is a rear view thereof;

FIG. 3 is a front view thereof;

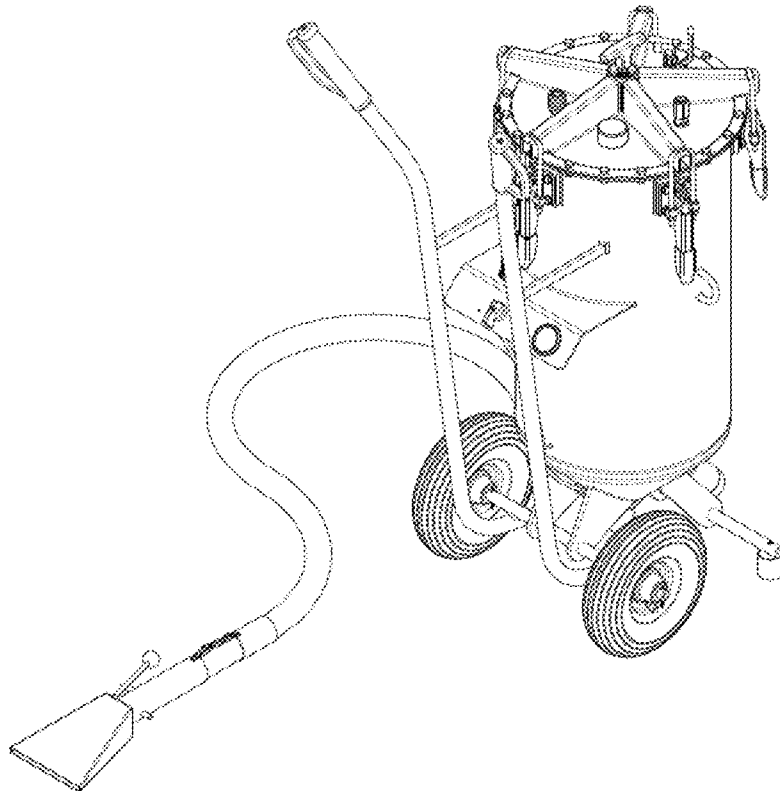
FIG. 4 is a bottom view thereof;

FIG. 5 is top view thereof;

FIG. 6 is a left view thereof; and,

FIG. 7 is a right side view thereof.

1 Claim, 7 Drawing Sheets



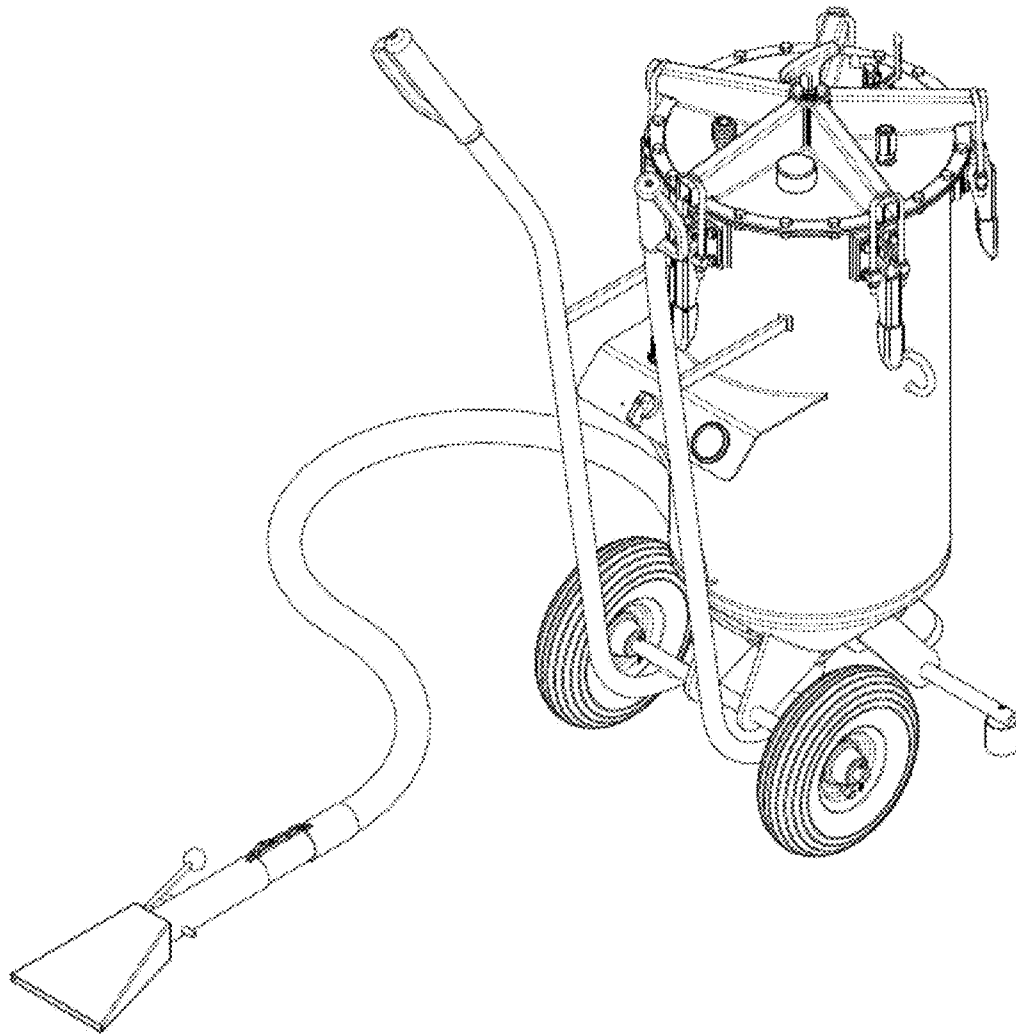


FIG. 1

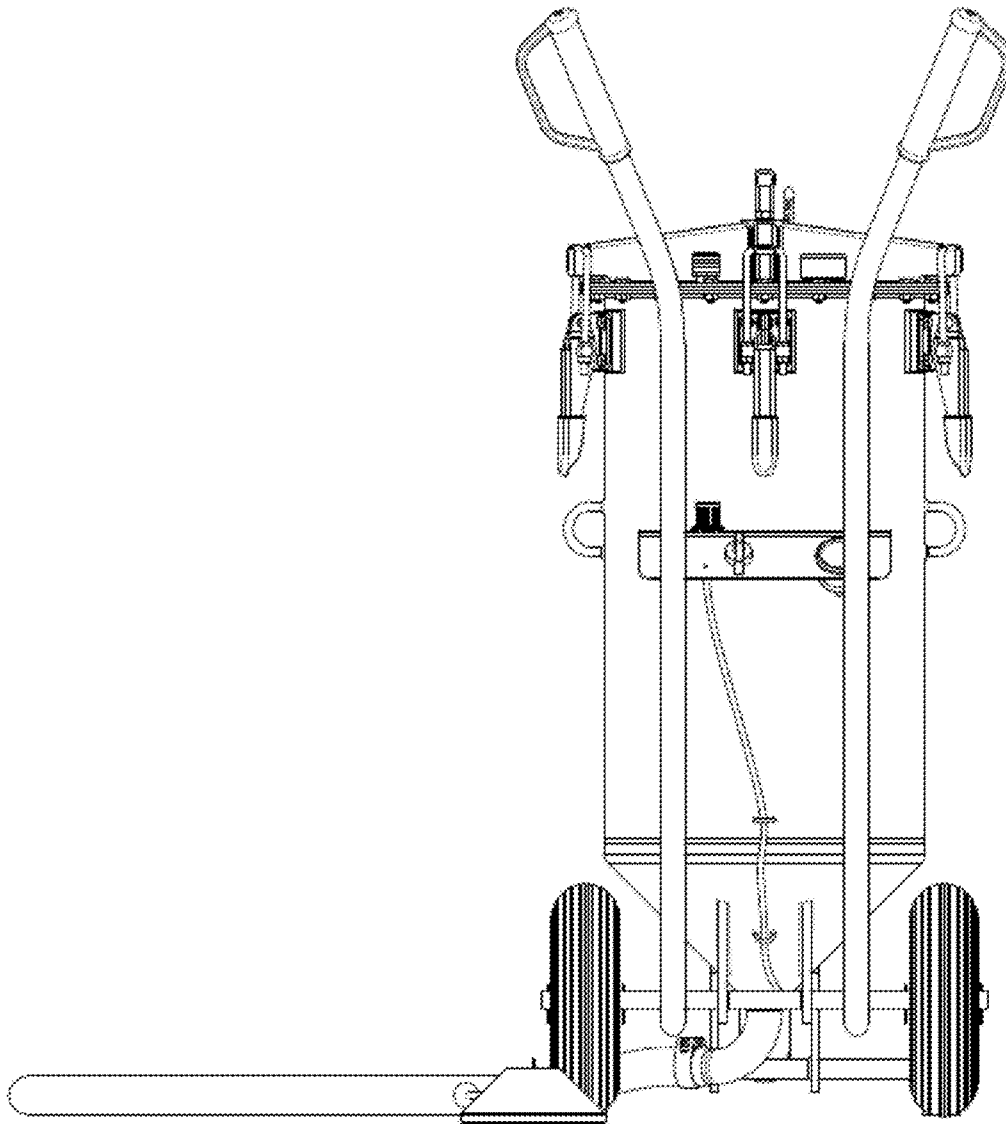


FIG. 2

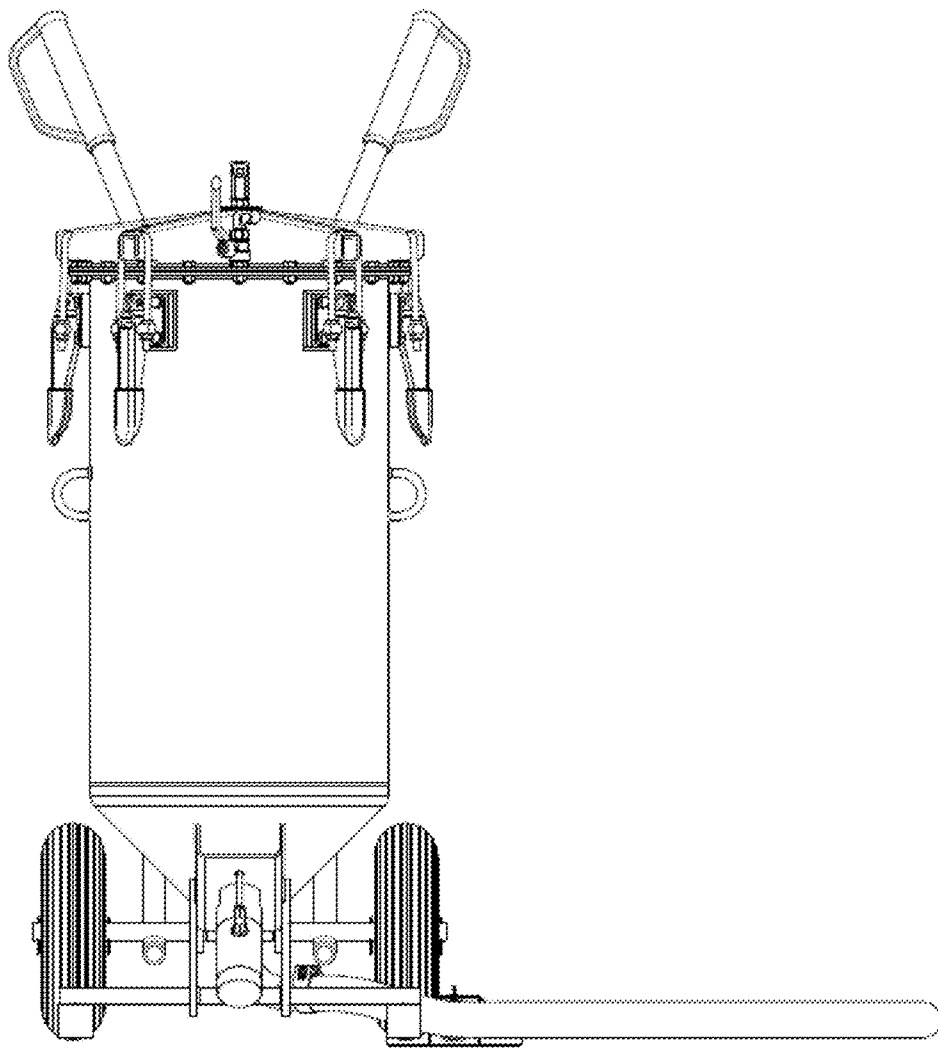


FIG. 3

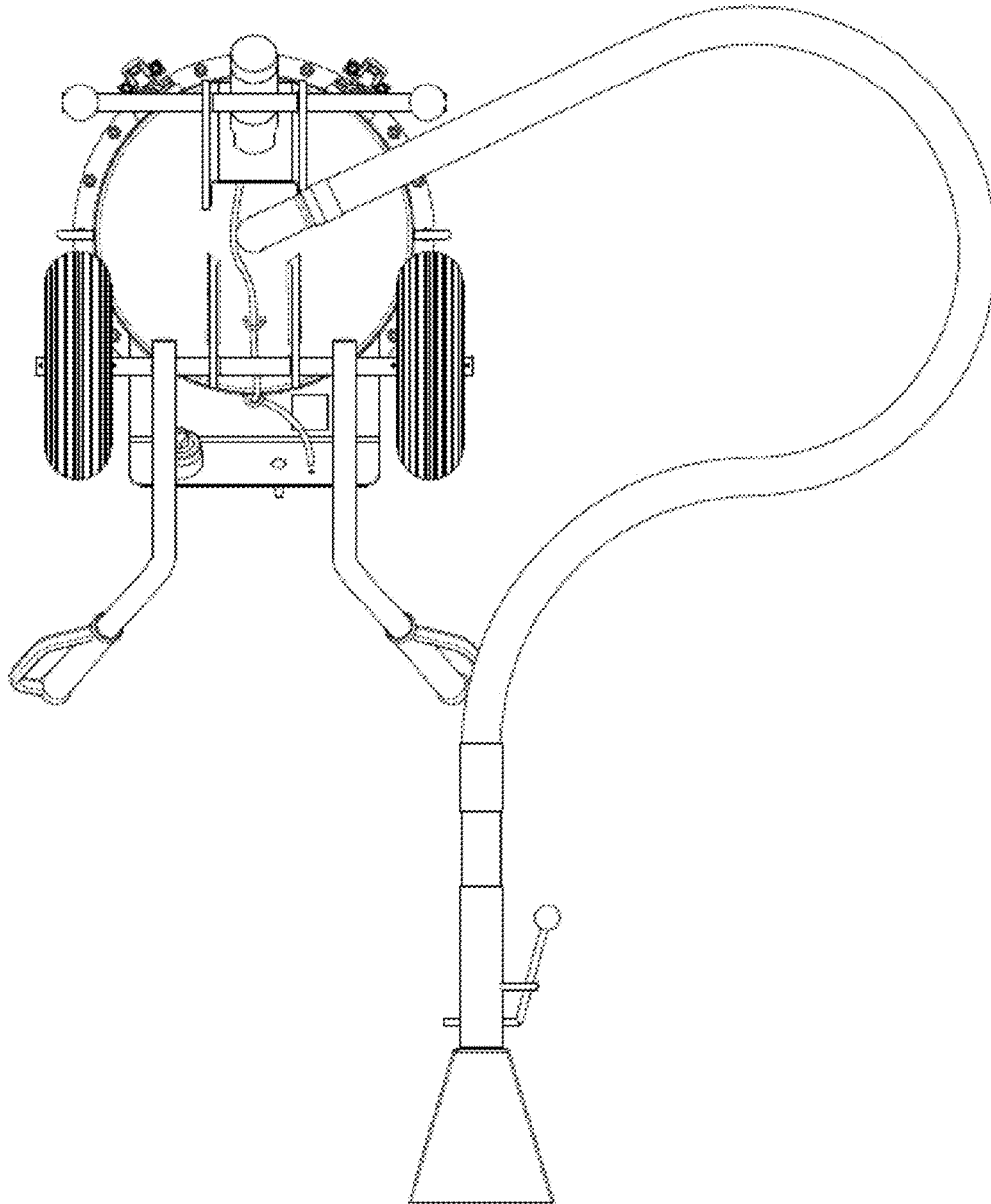


FIG. 4

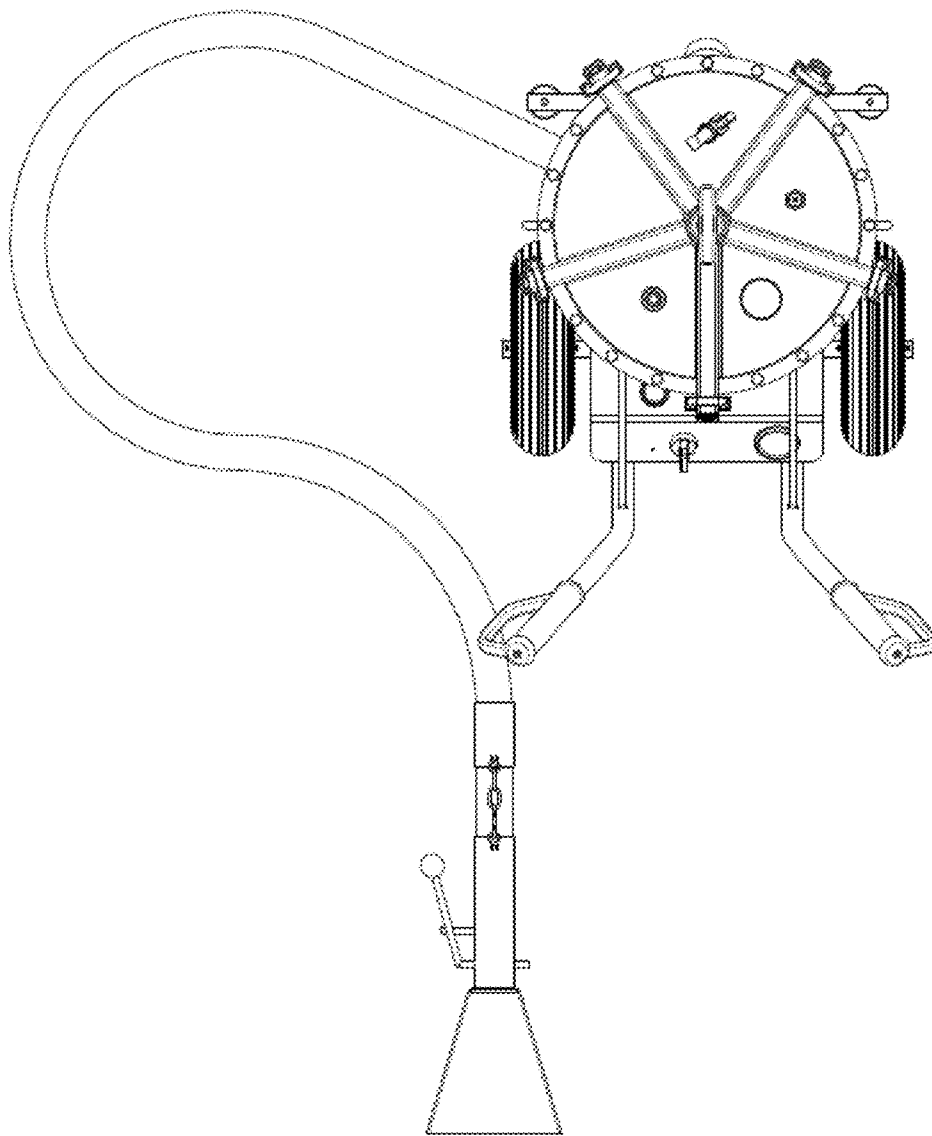


FIG. 5

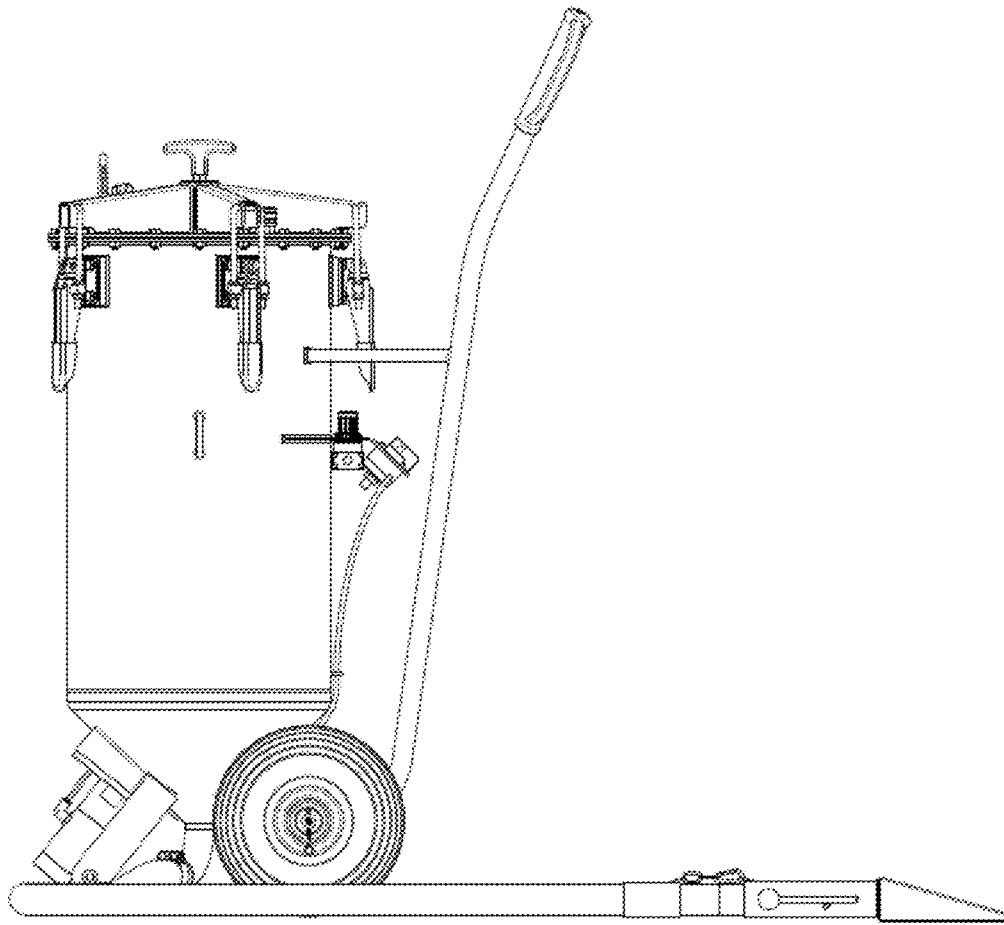


FIG. 6

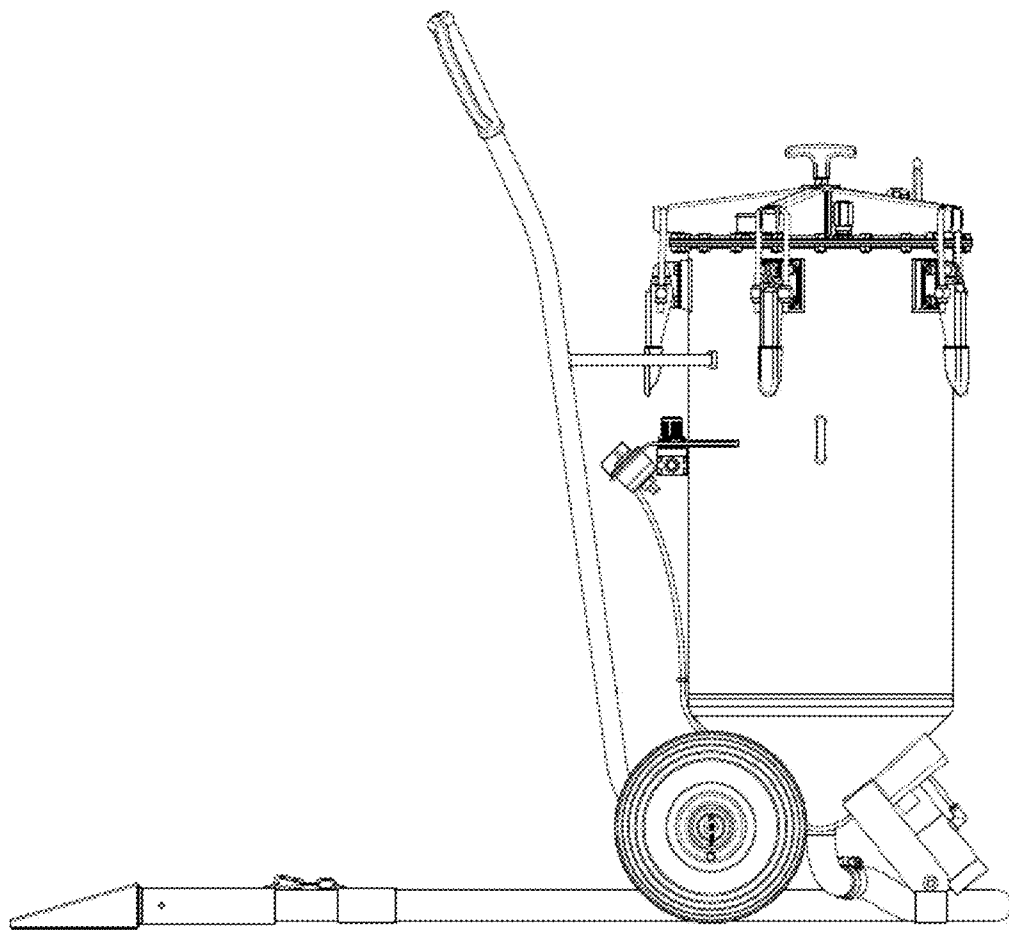


FIG. 7