

(19) World Intellectual Property Organization  
International Bureau



(43) International Publication Date  
5 July 2007 (05.07.2007)

PCT

(10) International Publication Number  
**WO 2007/076069 A3**

- (51) International Patent Classification:  
A61M 5/32 (2006.01)
- (21) International Application Number:  
PCT/US2006/049140
- (22) International Filing Date:  
22 December 2006 (22.12.2006)
- (25) Filing Language: English
- (26) Publication Language: English
- (30) Priority Data:  
11/316,076 22 December 2005 (22.12.2005) US
- (71) Applicant (for all designated States except US): **MEDEGEN MMS, INC.** [US/US]; 10617 N. Hayden Road, Suite B-100, Scottsdale, AZ 85260 (US).
- (72) Inventors; and
- (75) Inventors/Applicants (for US only): **ROMAN, Stephen, B.** [US/US]; 2711 East Darrel Road, Phoenix, AZ 85042 (US). **KEHOE, Gary, S.** [US/US]; 21663 N. 58th Dr., Glendale, AZ 85308 (US).
- (74) Agents: **OLSON, Arne, M.** et al.; Olson & Hierl, Ltd., 20 North Wacker Drive, 36th Floor, Chicago, IL 60606 (US).

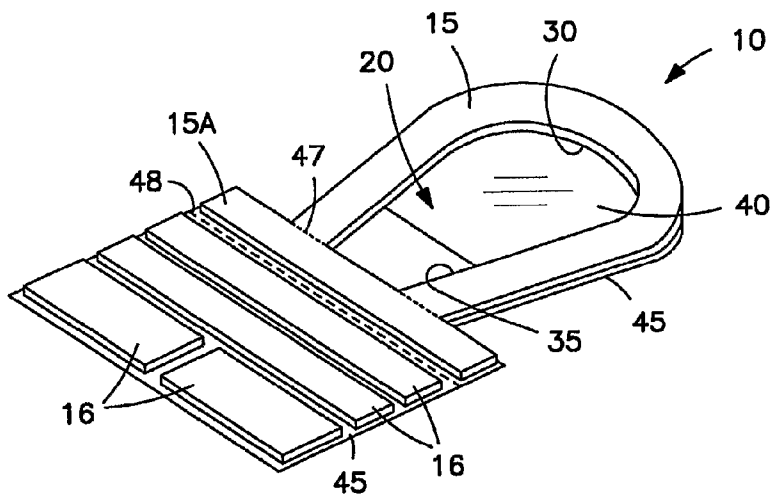
- (81) Designated States (unless otherwise indicated, for every kind of national protection available): AE, AG, AL, AM, AT, AU, AZ, BA, BB, BG, BR, BW, BY, BZ, CA, CH, CN, CO, CR, CU, CZ, DE, DK, DM, DZ, EC, EE, EG, ES, FI, GB, GD, GE, GH, GM, GT, HN, HR, HU, ID, IL, IN, IS, JP, KE, KG, KM, KN, KP, KR, KZ, LA, LC, LK, LR, LS, LT, LU, LV, LY, MA, MD, MG, MK, MN, MW, MX, MY, MZ, NA, NG, NI, NO, NZ, OM, PG, PH, PL, PT, RO, RS, RU, SC, SD, SE, SG, SK, SL, SM, SV, SY, TJ, TM, TN, TR, TT, TZ, UA, UG, US, UZ, VC, VN, ZA, ZM, ZW.
- (84) Designated States (unless otherwise indicated, for every kind of regional protection available): ARIPO (BW, GH, GM, KE, LS, MW, MZ, NA, SD, SL, SZ, TZ, UG, ZM, ZW), Eurasian (AM, AZ, BY, KG, KZ, MD, RU, TJ, TM), European (AT, BE, BG, CH, CY, CZ, DE, DK, EE, ES, FI, FR, GB, GR, HU, IE, IS, IT, LT, LU, LV, MC, NL, PL, PT, RO, SE, SI, SK, TR), OAPI (BF, BJ, CF, CG, CI, CM, GA, GN, GQ, GW, ML, MR, NE, SN, TD, TG).

**Published:**

- with international search report
- before the expiration of the time limit for amending the claims and to be republished in the event of receipt of amendments

[Continued on next page]

(54) Title: METHOD AND APPARATUS FOR SECURING I.V. NEEDLE AND LUER FITTING



(57) Abstract: An IV holder for securing an IV needle and Luer fitting assembly. The IV holder includes a frame defining an aperture with a first portion and a second portion, the first portion of the aperture further being covered by a transparent window for protecting and securing the IV needle insertion site. The second portion of the aperture is disposed to fit a cylindrical Luer fitting. The holder is adhesively applied to a patient's skin and situated so that the needle insertion site is under the window and the first portion of the aperture while the Luer fitting is disposed within the second portion of the aperture.

WO 2007/076069 A3



**(88) Date of publication of the international search report:**

22 November 2007

*For two-letter codes and other abbreviations, refer to the "Guidance Notes on Codes and Abbreviations" appearing at the beginning of each regular issue of the PCT Gazette.*

**INTERNATIONAL SEARCH REPORT**

International application No.  
PCT/US06/49140

<b>A. CLASSIFICATION OF SUBJECT MATTER</b> IPC(8) - A61M 5/32 (2007.01) USPC - 604/180 According to International Patent Classification (IPC) or to both national classification and IPC		
<b>B. FIELDS SEARCHED</b> Minimum documentation searched (classification system followed by classification symbols) IPC(8) - A61M 5/32 (2007.01) USPC - 604/180 Documentation searched other than minimum documentation to the extent that such documents are included in the fields searched Electronic data base consulted during the international search (name of data base and, where practicable, search terms used) MicroPatent		
<b>C. DOCUMENTS CONSIDERED TO BE RELEVANT</b>		
Category*	Citation of document, with indication, where appropriate, of the relevant passages	Relevant to claim No.
X	US 5,116,324 A (BRIERLEY et al) 26 May 1992 (26.05.1992) entire document	1, 3-6
Y		2, 7-8
X	US 6,827,707 B2 (WRIGHT et al) 07 December 2004 (07.12.2004) entire document	9-12, 18
Y		13-17, 19-20
Y	US 6,124,521 A (ROBERTS) 26 September 2000 (26.09.2000) entire document	2
Y	US RE38,597 E1 (LANE JR) 21 September 2004 (21.09.2004) entire document	7-8, 14-17, 19-20
Y	US 6,689,104 B2 (BIERMAN) 10 February 2004 (10.02.2004) entire document	13
A	US 4,669,458 A (ABRAHAM et al) 02 June 1987 (02.06.1987) entire document	1-20
A	US 4,737,143 A (RUSSELL) 12 April 1988 (12.04.1988) entire document	1-20
<input type="checkbox"/> Further documents are listed in the continuation of Box C. <input type="checkbox"/>		
* Special categories of cited documents: "A" document defining the general state of the art which is not considered to be of particular relevance "E" earlier application or patent but published on or after the international filing date "L" document which may throw doubts on priority claim(s) or which is cited to establish the publication date of another citation or other special reason (as specified) "O" document referring to an oral disclosure, use, exhibition or other means "P" document published prior to the international filing date but later than the priority date claimed "T" later document published after the international filing date or priority date and not in conflict with the application but cited to understand the principle or theory underlying the invention "X" document of particular relevance; the claimed invention cannot be considered novel or cannot be considered to involve an inventive step when the document is taken alone "Y" document of particular relevance; the claimed invention cannot be considered to involve an inventive step when the document is combined with one or more other such documents, such combination being obvious to a person skilled in the art "&" document member of the same patent family		
Date of the actual completion of the international search 23 July 2007		Date of mailing of the international search report <b>11 SEP 2007</b>
Name and mailing address of the ISA/US Mail Stop PCT, Attn: ISA/US, Commissioner for Patents P.O. Box 1450, Alexandria, Virginia 22313-1450 Facsimile No. 571-273-3201		Authorized officer: Blaine R. Copenheaver PCT Helpdesk: 571-272-4300 PCT OSP: 571-272-7774