



US00D773127S

(12) **United States Design Patent** (10) **Patent No.:** **US D773,127 S**
Oates (45) **Date of Patent:** **** Nov. 29, 2016**

(54) **CAT FEEDER**

(71) Applicant: **Jeremy Oates**, London (GB)
(72) Inventor: **Jeremy Oates**, London (GB)
(73) Assignee: **Pet Mate Limited**, Surrey (GB)
(**) Term: **14 Years**
(21) Appl. No.: **29/523,486**
(22) Filed: **Apr. 10, 2015**
(51) **LOC (10) Cl.** **30-03**
(52) **U.S. Cl.**
USPC **D30/130; D30/129**

(58) **Field of Classification Search**

USPC D30/121, 122, 129-133, 101; 119/61.5, 119/51.01, 61.56, 51.03, 59, 62, 63, 51.5, 119/57.8, 74, 61.54, 61.55; 312/204; 248/151, 188; 108/156, 153.1-157; 220/23.87, 630, 737, 743, 9.4, 495.01, 220/574, 212, 255, 23.83, 606, 657, 257.2, 220/359.2, 359.3, 253, 254.2, 507, 326, 220/825, 835; 206/515, 538, 533, 534; D7/586, 543, 550.1, 587, 505, 584, D7/545, 500, 553.1-553.8, 546, 555, 556, D7/504, 565, 562, 602, 676, 544, 548, 675, D7/554.2, 551.1, 672, 677; D9/429, 425, D9/603, 443, 414-424, 428, 430-434, 450, D9/523-525, 715, 503; 43/109; D22/122; 99/430, DIG. 15; D27/106, 113, 114; 229/406, 123.1, 125.05, 125.35, 404, 229/123.2, 123.3, 125.13, 125.14; 426/104; D3/203.1-203.4, 206, 294; D19/51, D19/84, 85; D11/149-152; D24/121, 123
CPC ... A01K 5/0114; A01K 5/01; A01K 5/0135; A01K 7/005; A01K 7/00; A01K 7/02; A01K 5/0142; A01K 5/0121; A01K 5/0128; A01K 27/004; A01K 39/014; A01K 39/00; A01K 39/02; A01K 39/0113; A47J 43/0727; A01M 29/34; B29C 65/48; B65D 81/36

See application file for complete search history.

(56) **References Cited**

U.S. PATENT DOCUMENTS

1,576,088 A * 3/1926 Bunz A45D 33/003
206/541
2,096,825 A * 10/1937 Roman A47G 19/02
126/246
3,391,847 A * 7/1968 Christine B65D 51/185
220/257.2
D216,552 S * 2/1970 Curry et al. D7/629
3,527,192 A * 9/1970 Ferrara A01K 5/0128
119/61.5
3,658,036 A * 4/1972 Caracappa A01K 5/0291
119/51.13
4,015,945 A * 4/1977 Frankel A61B 17/8833
141/65
4,248,175 A * 2/1981 Navarro A01K 5/0291
119/51.12

(Continued)

Primary Examiner — Susan Moon Lee
(74) *Attorney, Agent, or Firm* — Fay Sharpe LLP

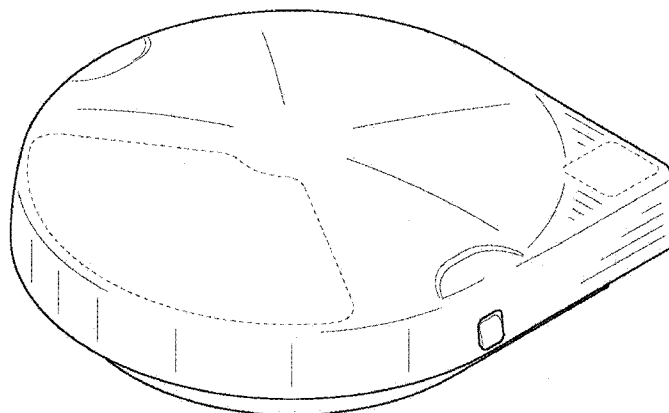
(57) **CLAIM**

The ornamental design for a cat feeder, as shown and described.

DESCRIPTION

FIG. 1 is a top view of a cat feeder;
FIG. 2 is a front view of the cat feeder;
FIG. 3 is a right side view of the cat feeder;
FIG. 4 is a left side view of the cat feeder;
FIG. 5 is a front right perspective view of the cat feeder;
FIG. 6 is a front top perspective view of the upper portion of the cat feeder;
FIG. 7 is a front bottom perspective view of an internal bowl for placement in the interior of the cat feeder; and,
FIG. 8 is a front bottom perspective view of the upper portion of the cat feeder.
Broken lines and unshaded portions contained within broken line depict feeder elements that form no part of the claimed design.

1 Claim, 5 Drawing Sheets



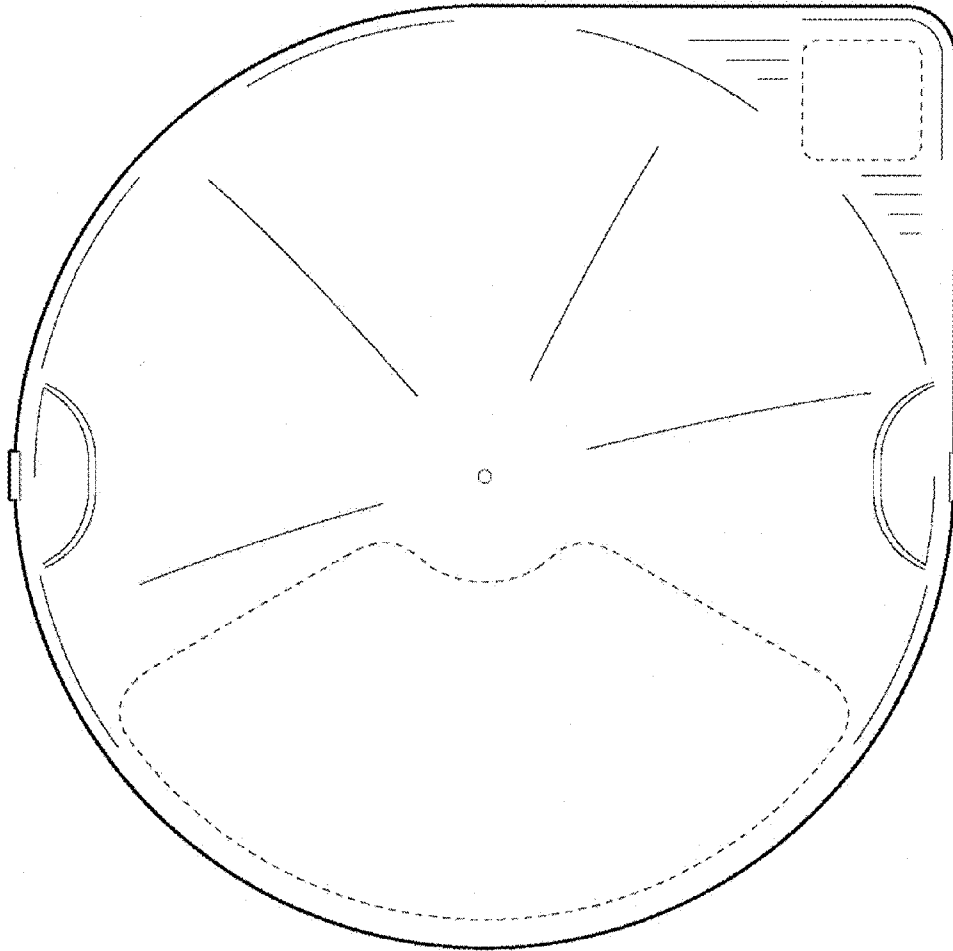


FIG. 1

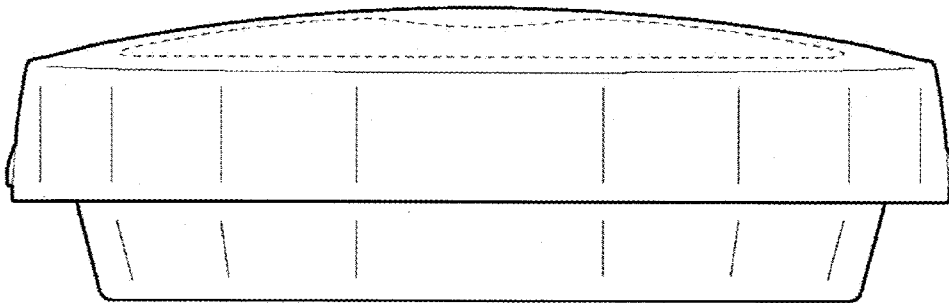


FIG. 2

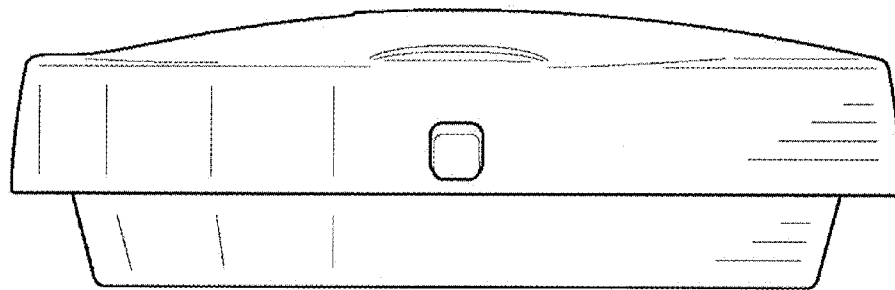


FIG. 3

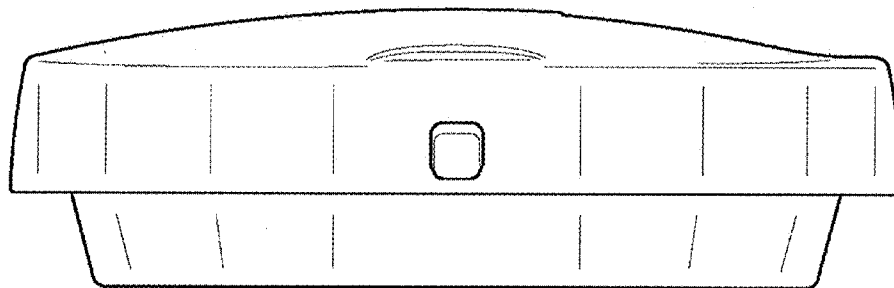


FIG. 4

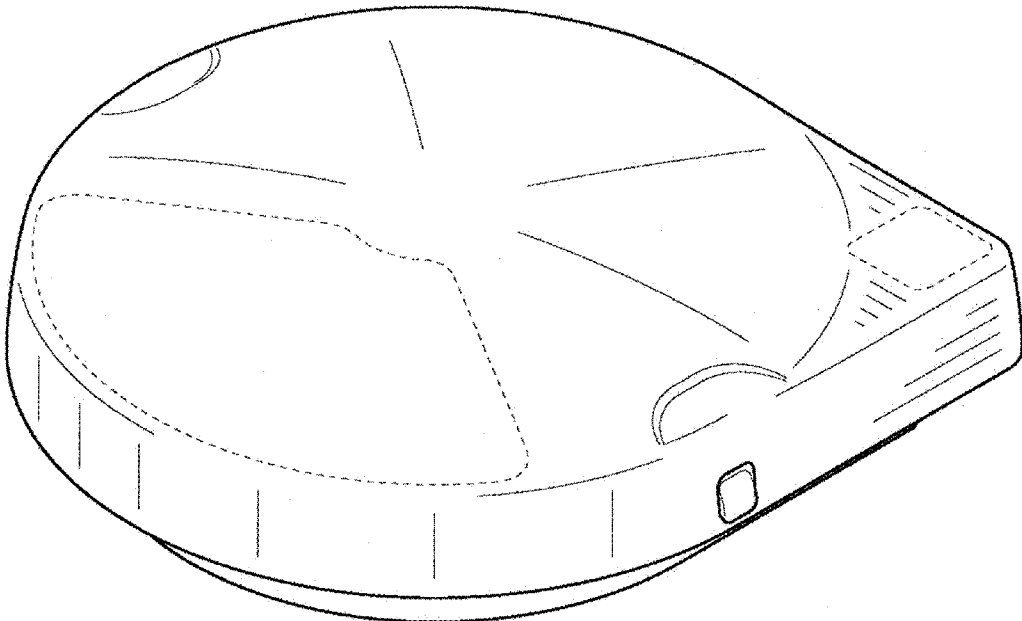


FIG. 5

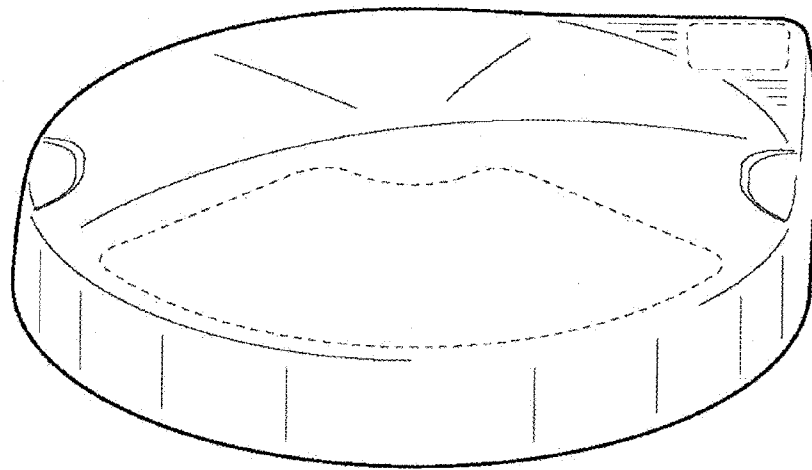


FIG. 6

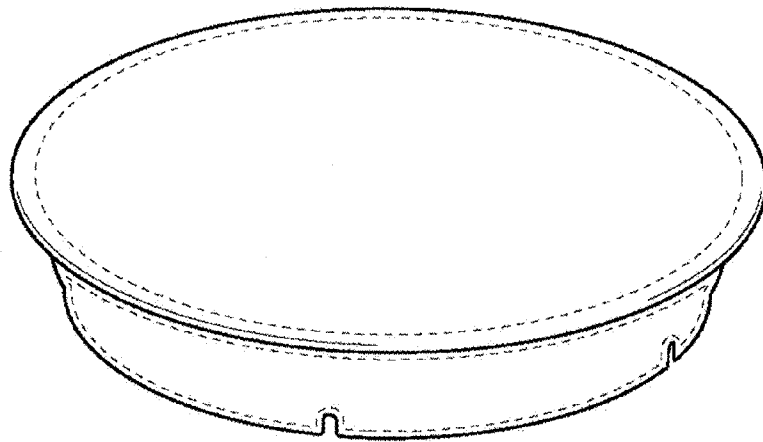


FIG. 7

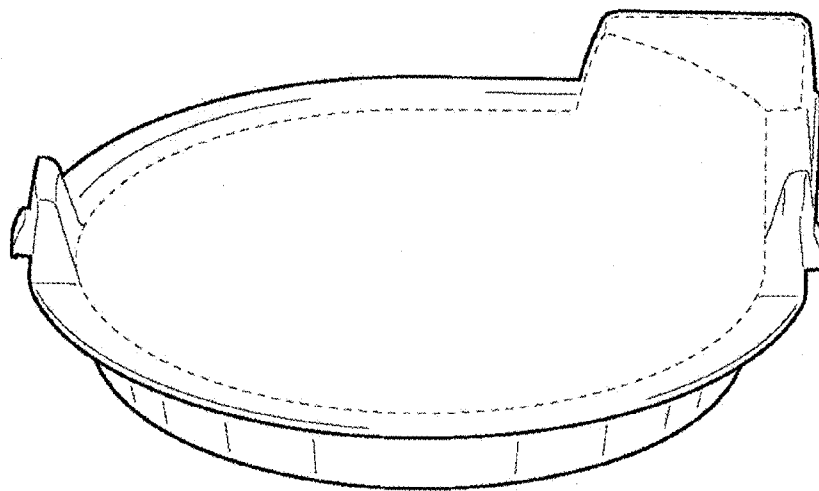


FIG. 8