



US00D723931S

(12) **United States Design Patent**
Mini

(10) **Patent No.:** **US D723,931 S**

(45) **Date of Patent:** **** Mar. 10, 2015**

(54) **BOTTLE**

(75) Inventor: **Rino Mini**, Rimini (IT)

(73) Assignee: **La Galvanina S.p.A.** (IT)

(**) Term: **14 Years**

(21) Appl. No.: **29/426,297**

(22) Filed: **Jul. 3, 2012**

(30) **Foreign Application Priority Data**

Jun. 21, 2012 (EM) 002061226-0001

(51) **LOC (10) Cl.** **09-01**

(52) **U.S. Cl.**
USPC **D9/551; D9/502; D9/538**

(58) **Field of Classification Search**
USPC D9/600, 633, 500-504, 516, 520,
D9/537-559, 563-566; 215/381-384, 400;
206/457, 459.5, 527; D7/514-517,
D7/519, 619.2, 628
See application file for complete search history.

(56) **References Cited**

U.S. PATENT DOCUMENTS

D469,699 S * 2/2003 Crawford et al. D9/551
D471,112 S * 3/2003 Davis et al. D9/551

D479,999 S * 9/2003 Moore D9/500
D518,726 S * 4/2006 Baker D9/502
D547,200 S * 7/2007 Bourne D9/551
D547,659 S * 7/2007 Heisner D9/516
D551,083 S * 9/2007 Schwarz D9/538
D563,230 S * 3/2008 Watts D9/538
D589,815 S * 4/2009 Hazelton et al. D9/551
D592,066 S * 5/2009 Bourne D9/538
D595,143 S * 6/2009 Hazelton et al. D9/551
D626,420 S * 11/2010 Mondon D9/551

* cited by examiner

Primary Examiner — Sandra Morris
(74) *Attorney, Agent, or Firm* — Timothy J. Klima;
Shuttleworth & Ingersoll, PLC

(57) **CLAIM**
The ornamental design for a bottle, as shown and described.

DESCRIPTION

FIG. 1 is a perspective view of a bottle showing my design;
FIG. 2 is a left side view of the design shown in FIG. 1;
FIG. 3 is a front side view of the design shown in FIG. 1;
FIG. 4 is a right side view of the design shown in FIG. 1;
FIG. 5 is a back side view of the design shown in FIG. 1;
FIG. 6 is a top plan view of the design shown in FIG. 1; and,
FIG. 7 is a bottom view of the design shown in FIG. 1, with
the broken lines in FIG. 7 included for the purpose of illustrating
a portion of the bottom that forms no part of the claimed
design.

1 Claim, 7 Drawing Sheets

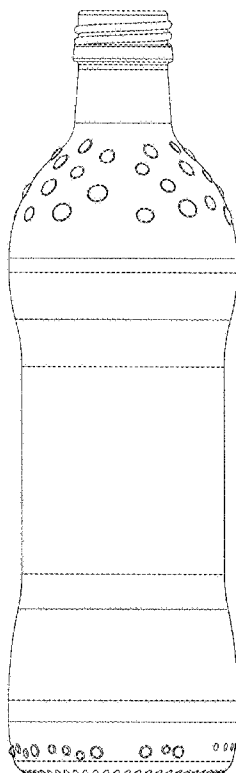


FIG.1

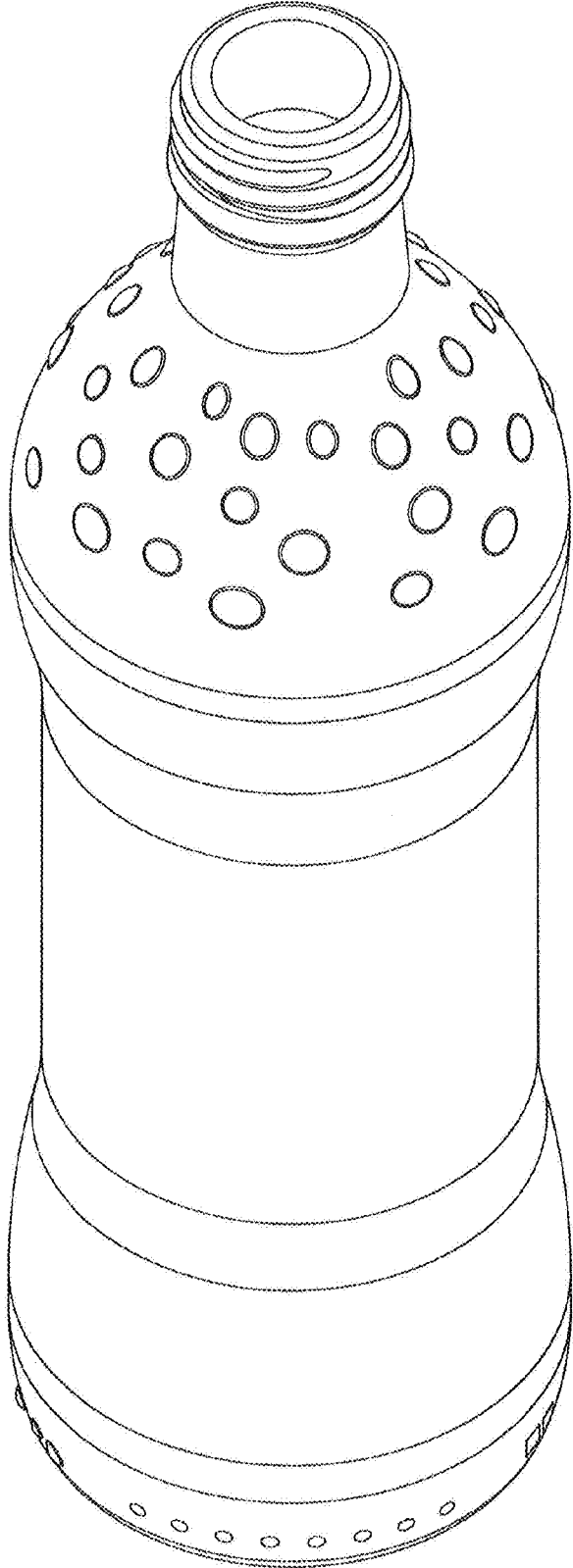


FIG.2

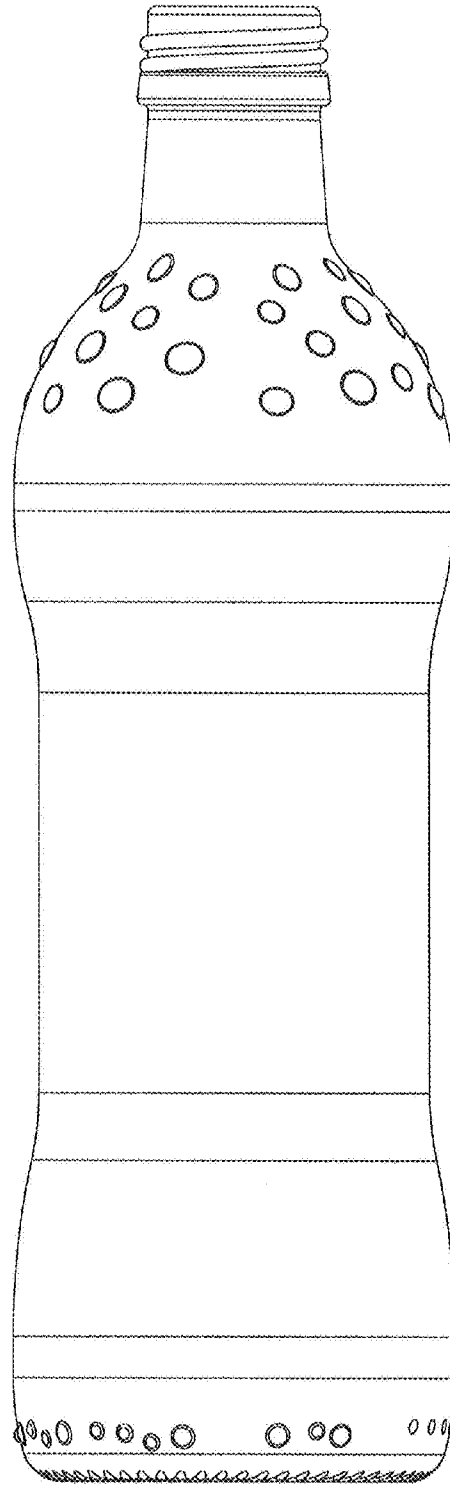


FIG.3

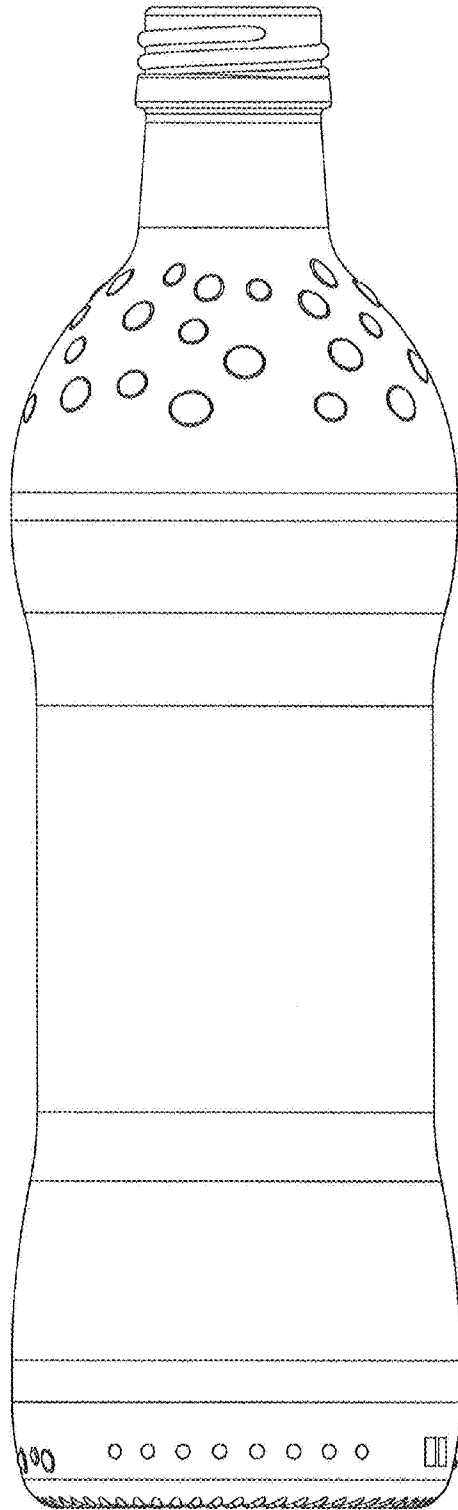


FIG.4

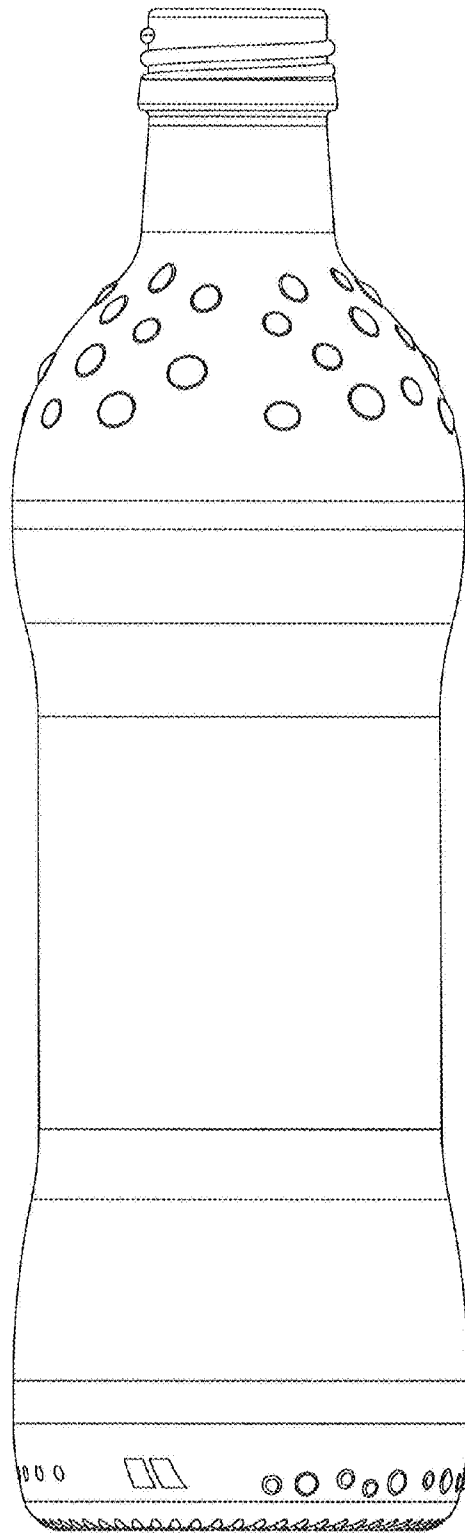


FIG.5

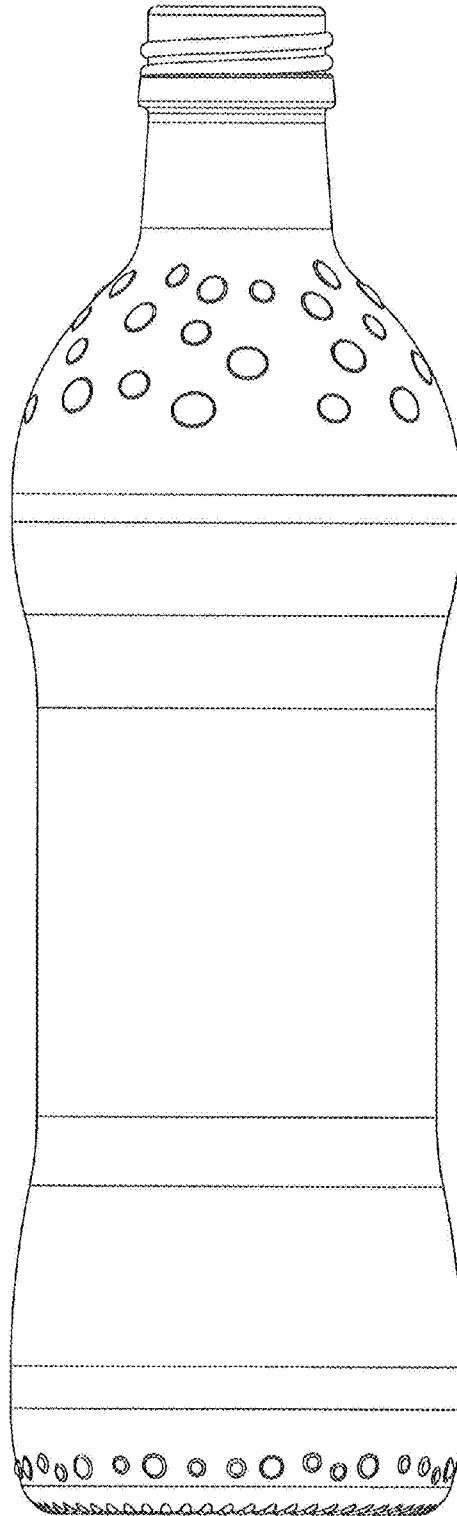
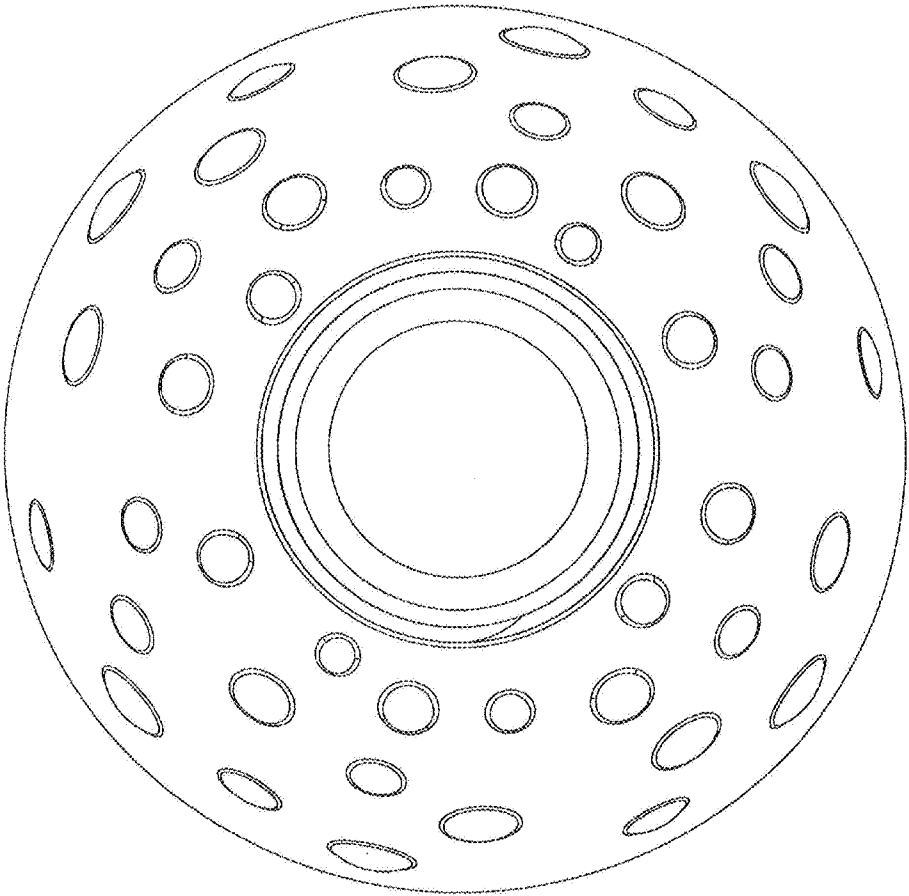


FIG.6



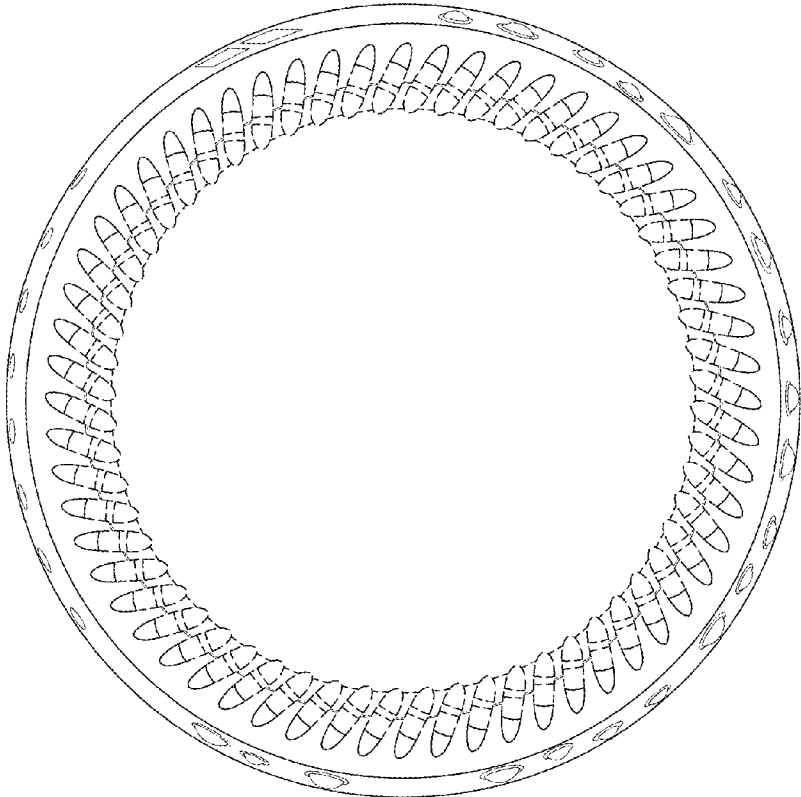


FIG.7