

United States Patent [19]
Salvador

[11] **Patent Number: Des. 309,245**
[45] **Date of Patent: ** Jul. 17, 1990**

[54] **CAN OPENER**

[76] **Inventor: Fernando S. Salvador, 29, Tiburcio Anitua Str., Eibar (Guipuzoa), Spain, 20600**

[**] **Term: 14 Years**

[21] **Appl. No.: 230,117**

[22] **Filed: Aug. 9, 1988**

[30] **Foreign Application Priority Data**

Feb. 9, 1988 [ES] Spain 115089
[52] **U.S. Cl.** **D8/41; D8/18**
[58] **Field of Search** **D8/18, 33, 40-41, D8/43; 81/3.07, 3.09, 3.48, 3.49; 7/151-152, 154**

[56] **References Cited**

U.S. PATENT DOCUMENTS

1,404,880 1/1922 Montes 81/3.49 X
1,960,378 5/1934 Hagerling 7/154 X

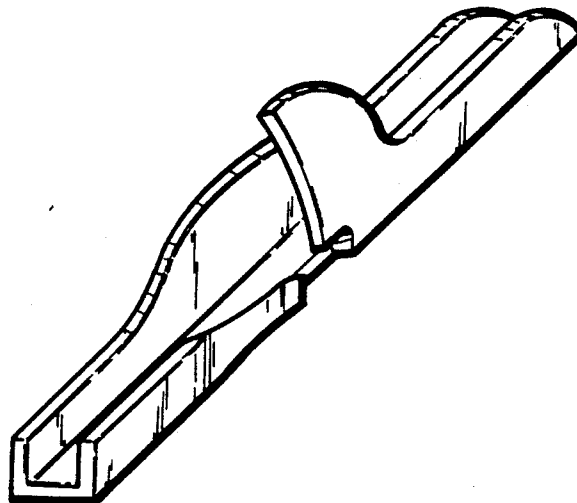
Primary Examiner—Bernard Ansher
Assistant Examiner—Terry A. Pfeffer
Attorney, Agent, or Firm—Fleit, Jacobson, Cohn, Price, Holman & Stern

[57] **CLAIM**

The ornamental design for the can opener, as shown and described.

DESCRIPTION

FIG. 1 is a front, right side perspective view of a can opener showing my new design;
FIG. 2 is a right side elevational view thereof;
FIG. 3 is a top plan view thereof; and
FIG. 4 is a rear elevational view thereof.



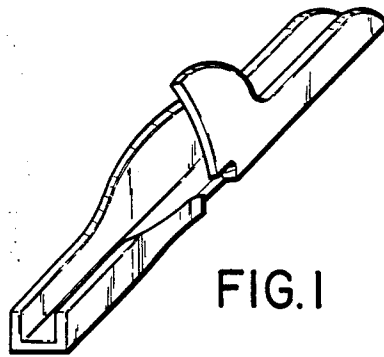


FIG. 1

FIG. 2



FIG. 3



FIG. 4