

(19) World Intellectual Property Organization
International Bureau



(43) International Publication Date
23 July 2009 (23.07.2009)

PCT

(10) International Publication Number
WO 2009/091122 A3

(51) International Patent Classification:
A47J 41/02 (2006.01)

(21) International Application Number:
PCT/KR2008/007639

(22) International Filing Date:
24 December 2008 (24.12.2008)

(25) Filing Language: Korean

(26) Publication Language: English

(30) Priority Data:
10-2008-0003795 14 January 2008 (14.01.2008) KR

(71) Applicant and

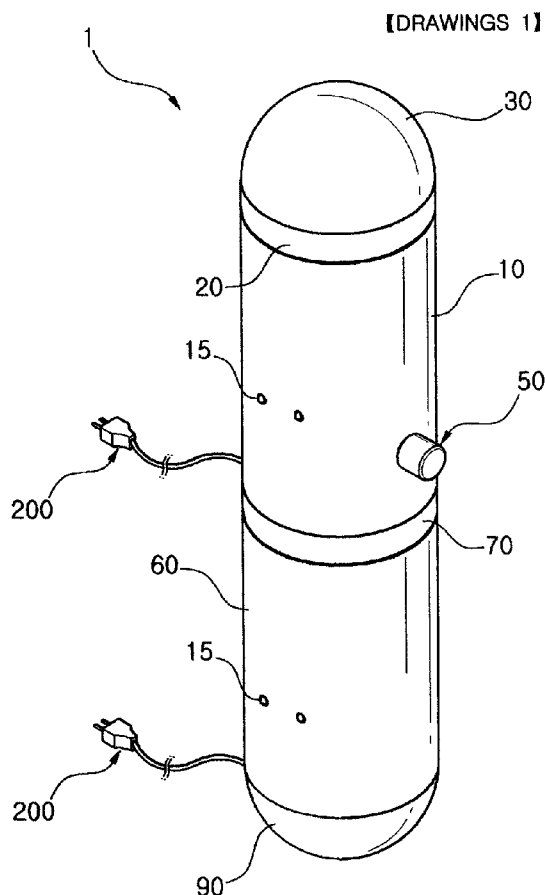
(72) Inventor: YI, Gi-Young [KR/KR]; 113-1 Wonseong-ri,
Jeonui-myeon, Yeongi-gun, Chungcheongnam-Do
339-854 (KR).

(81) Designated States (unless otherwise indicated, for every kind of national protection available): AE, AG, AL, AM, AO, AT, AU, AZ, BA, BB, BG, BH, BR, BW, BY, BZ, CA, CH, CN, CO, CR, CU, CZ, DE, DK, DM, DO, DZ, EC, EE, EG, ES, FI, GB, GD, GE, GH, GM, GT, HN, HR, HU, ID, IL, IN, IS, JP, KE, KG, KM, KN, KP, KZ, LA, LC, LK, LR, LS, LT, LU, LY, MA, MD, ME, MG, MK, MN, MW, MX, MY, MZ, NA, NG, NI, NO, NZ, OM, PG, PH, PL, PT, RO, RS, RU, SC, SD, SE, SG, SK, SL, SM, ST, SV, SY, TJ, TM, TN, TR, TT, TZ, UA, UG, US, UZ, VC, VN, ZA, ZM, ZW.

(84) Designated States (unless otherwise indicated, for every kind of regional protection available): ARIPO (BW, GH, GM, KE, LS, MW, MZ, NA, SD, SL, SZ, TZ, UG, ZM, ZW), Eurasian (AM, AZ, BY, KG, KZ, MD, RU, TJ, TM), European (AT, BE, BG, CH, CY, CZ, DE, DK, EE, ES, FI, FR, GB, GR, HR, HU, IE, IS, IT, LT, LU, LV, MC, MT, NL, NO, PL, PT, RO, SE, SI, SK, TR), OAPI

[Continued on next page]

(54) Title: PORTABLE ELECTRICITY THERMOS



(57) Abstract: A portable electricity thermos is disclosed, which makes it possible to easily boil water in a vehicle or an outdoor space by detachably engaging two thermoses each having a heating member, and a bean coffee or a tea can be easily prepared in such a manner that a filtering net is disposed in one thermos for filtering coffee beans or a tea leaves, and water is boiled in the other thermos for thereby mixing boiled water and filtered coffee beans or tea leaves.

WO 2009/091122 A3



(BF, BJ, CF, CG, CI, CM, GA, GN, GQ, GW, ML, MR, NE, SN, TD, TG).

— *before the expiration of the time limit for amending the claims and to be republished in the event of receipt of amendments (Rule 48.2(h))*



Published:

— *with international search report (Art. 21(3))*

(88) Date of publication of the international search report:
24 September 2009

INTERNATIONAL SEARCH REPORT

International application No.
PCT/KR2008/007639

A. CLASSIFICATION OF SUBJECT MATTER		
<i>A47J 41/02(2006.01)i</i>		
According to International Patent Classification (IPC) or to both national classification and IPC		
B. FIELDS SEARCHED		
Minimum documentation searched (classification system followed by classification symbols) IPC A45F 3/20, A47J 41/02, B65D 81/32		
Documentation searched other than minimum documentation to the extent that such documents are included in the fields searched Japanese Utility models and applications for Utility models since 1975		
Electronic data base consulted during the international search (name of data base and, where practicable, search terms used) e-KOMPASS(KIPO internal database), Delphion, USPTO, eSPACENET		
C. DOCUMENTS CONSIDERED TO BE RELEVANT		
Category*	Citation of document, with indication, where appropriate, of the relevant passages	Relevant to claim No.
A	JP07-016739U YOSHIDA KEIJI Mar. 20. 1995 see abstract, the claim 1, fig. 1-2, paragraph[0003]-[0007]	1-7
A	JP07-020125U HIROFUMI OTSUKI Apr.11, 1995 see abstract, the claim 1, fig.1, paragraph [0007]	1-7
<input type="checkbox"/> Further documents are listed in the continuation of Box C. <input checked="" type="checkbox"/> See patent family annex.		
* Special categories of cited documents: "A" document defining the general state of the art which is not considered to be of particular relevance "E" earlier application or patent but published on or after the international filing date "L" document which may throw doubts on priority claim(s) or which is cited to establish the publication date of citation or other special reason (as specified) "O" document referring to an oral disclosure, use, exhibition or other means "P" document published prior to the international filing date but later than the priority date claimed "T" later document published after the international filing date or priority date and not in conflict with the application but cited to understand the principle or theory underlying the invention "X" document of particular relevance; the claimed invention cannot be considered novel or cannot be considered to involve an inventive step when the document is taken alone "Y" document of particular relevance; the claimed invention cannot be considered to involve an inventive step when the document is combined with one or more other such documents, such combination being obvious to a person skilled in the art "&" document member of the same patent family		
Date of the actual completion of the international search 29 JULY 2009 (29.07.2009)		Date of mailing of the international search report 29 JULY 2009 (29.07.2009)
Name and mailing address of the ISA/KR  Korean Intellectual Property Office Government Complex-Daejeon, 139 Seonsa-ro, Seo-gu, Daejeon 302-701, Republic of Korea Facsimile No. 82-42-472-7140		Authorized officer KIM, Tae San Telephone No. 82-42-481-5633 

INTERNATIONAL SEARCH REPORT

Information on patent family members

International application No.

PCT/KR2008/007639

Patent document cited in search report	Publication date	Patent family member(s)	Publication date
JP07-016739U	20.03.1995	None	
JP07-020125U	11.04.1995	None	