



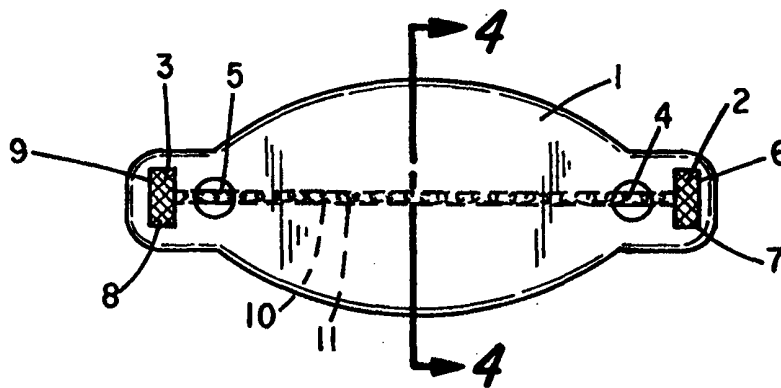
INTERNATIONAL APPLICATION PUBLISHED UNDER THE PATENT COOPERATION TREATY (PCT)

<p>(51) International Patent Classification <sup>6</sup> : <b>A61F 1/00, 1/02, 5/48</b></p>	<p><b>A1</b></p>	<p>(11) International Publication Number: <b>WO 00/09039</b> (43) International Publication Date: 24 February 2000 (24.02.00)</p>
<p>(21) International Application Number: PCT/US99/17474 (22) International Filing Date: 2 August 1999 (02.08.99)  (30) Priority Data: 09/133,596 13 August 1998 (13.08.98) US 09/274,619 23 March 1999 (23.03.99) US  (71) Applicant: CONTIMED, INC. [US/US]; 11304 Bluestem Lane, Eden Prairie, MN 55347 (US).  (72) Inventors: TIHON, Claude; 11304 Bluestem Lane, Eden Prairie, MN 55347 (US). RYDELL, Mark, A.; 516 Turnpike Road, Golden Valley, MN 55343 (US). RYAN, William, P.; 10825 Oak Knoll Terrace South, Minnetonka, MN 55305 (US).  (74) Agent: NIKOLAI, Thomas, J.; Nikolai, Mersereau &amp; Dietz, P.A., 820 International Centre, 900 Second Avenue South, Minneapolis, MN 55402 (US).</p>	<p>(81) Designated States: JP, KR, European patent (AT, BE, CH, CY, DE, DK, ES, FI, FR, GB, GR, IE, IT, LU, MC, NL, PT, SE).  <b>Published</b> <i>With international search report. Before the expiration of the time limit for amending the claims and to be republished in the event of the receipt of amendments.</i></p>	

(54) Title: BLADDER SLING

(57) Abstract

A sling for supporting the urethra and neck of the bladder to prevent urinary incontinence is disclosed. The sling is designed to provide sufficient support to inhibit the unintended flow of urine, yet stretch in a controlled fashion so that the bladder can be voided at approximate times.



**FOR THE PURPOSES OF INFORMATION ONLY**

Codes used to identify States party to the PCT on the front pages of pamphlets publishing international applications under the PCT.

AL	Albania	ES	Spain	LS	Lesotho	SI	Slovenia
AM	Armenia	FI	Finland	LT	Lithuania	SK	Slovakia
AT	Austria	FR	France	LU	Luxembourg	SN	Senegal
AU	Australia	GA	Gabon	LV	Latvia	SZ	Swaziland
AZ	Azerbaijan	GB	United Kingdom	MC	Monaco	TD	Chad
BA	Bosnia and Herzegovina	GE	Georgia	MD	Republic of Moldova	TG	Togo
BB	Barbados	GH	Ghana	MG	Madagascar	TJ	Tajikistan
BE	Belgium	GN	Guinea	MK	The former Yugoslav Republic of Macedonia	TM	Turkmenistan
BF	Burkina Faso	GR	Greece	ML	Mali	TR	Turkey
BG	Bulgaria	HU	Hungary	MN	Mongolia	TT	Trinidad and Tobago
BJ	Benin	IE	Ireland	MR	Mauritania	UA	Ukraine
BR	Brazil	IL	Israel	MW	Malawi	UG	Uganda
BY	Belarus	IS	Iceland	MX	Mexico	US	United States of America
CA	Canada	IT	Italy	NE	Niger	UZ	Uzbekistan
CF	Central African Republic	JP	Japan	NL	Netherlands	VN	Viet Nam
CG	Congo	KE	Kenya	NO	Norway	YU	Yugoslavia
CH	Switzerland	KG	Kyrgyzstan	NZ	New Zealand	ZW	Zimbabwe
CI	Côte d'Ivoire	KP	Democratic People's Republic of Korea	PL	Poland		
CM	Cameroon	KR	Republic of Korea	PT	Portugal		
CN	China	KZ	Kazakstan	RO	Romania		
CU	Cuba	LC	Saint Lucia	RU	Russian Federation		
CZ	Czech Republic	LI	Liechtenstein	SD	Sudan		
DE	Germany	LK	Sri Lanka	SE	Sweden		
DK	Denmark	LR	Liberia	SG	Singapore		
EE	Estonia						

## **BLADDER SLING**

### **BACKGROUND OF THE INVENTION**

#### **CROSS REFERENCE TO THE RELATED APPLICATION**

This patent application is a continuation-in-part of copending application Serial No. 09/133,596, filed August 13, 1998.

#### **I. Field of the Invention**

This invention relates generally to the treatment of urinary incontinence. More specifically, this invention relates to our improved sling that can be surgically implanted to support the urethra and bladder neck to mitigate the involuntary discharge of urine from the bladder.

#### **II. Description of the Prior Art**

Urinary incontinence is a common problem, especially in women. It is estimated that there are over 13 million individuals with urinary incontinence in the United States, of which about 85% are women. Stress urinary continence is a condition in which the patient leaks urine when a sudden increase in his or her abdominal pressure occurs. This increase in abdominal pressure can result from many routine daily activities such as laughing, sneezing, walking, or getting up from a chair.

The increase in abdominal pressure causes an increase in pressure in the bladder. When the pressure in the bladder is sufficiently great to overcome urethral sphincter leakage will occur.

Various treatments have been provided for stress urinary incontinence. For over 100 years, surgeons have used sub-urethral sling procedures to treat severe or refractory genuine stress incontinence. This pre-procedure, sometimes referred to as pubovaginal sling procedure, is used to treat urinary stress incontinence

by creating a support to the urethra and bladder neck complex. Providing this support serves to increase the urethral closure pressure during stress to mitigate the involuntary loss of urine. In this surgical procedure, a sling hanging from and secured to the pubo-abdominal side is used to support the urethra from below.

Traditionally the materials used to create the sling include excised native retus fascia and fascia lata from the patient. More recently, chemically treated cadaveric fascia lata has been used. Some synthetic materials have also been used. These included woven sheets made of polypropylene, Dacron, and other flexible but non-elastic material. Synthetic slings have also been coated with collagen products, such as Protegen, which is marketed by Boston Scientific Corporation. Protegen is a rigid woven material coated with collagen which is intended to provide faster or better tissue integration into the sling material.

Though the pubovaginal sling procedures have been effective in returning continence to women, there is a common and persistent problem of high rates of prolonged urinary retention after surgery. This problem often requires the patients to perform self-catheterization and can also lead to secondary detrusor instability. Various techniques have been devised in an effort to overcome such problems. These techniques generally allow the final ligature a substantial amount of free-play by adjusting the sling tension to reduce urinary retention and provide continence. However, these techniques require great skill and increase the difficulty of an otherwise very effective surgical procedure.

#### **SUMMARY OF THE INVENTION**

The present invention relates to a new sling which

reduces the overall difficulty in tension adjustment by providing the patient with a more normal and physiological support. Specifically, the material from which the sling is made is elastic in contrast to other synthetic materials previously used. This elasticity approximates the elasticity of surrounding tissue supporting the urethra and bladder neck complex. This elasticity is sufficient to accommodate the normal up and down movements of the urethra and bladder neck complex. Thus, slings made in accordance with this invention do not overly compress the urethra. Nor do they compress the urethra abruptly and totally to cause urinary retention as is the case with slings made of non-elastic material.

The present invention also includes length limiting means for the elastic sling. Thus, the sling inhibits the excessive decent of the bladder neck during stress conditions. This is important because, under stress, the bladder neck can drop. If the dropping of the bladder neck is not restricted and the neck is allowed to descend too far, urine leakage can occur as a result of the hyper mobility of the bladder neck. Thus, the present invention, by providing an elastic sling with a length expansion limitation, reduces the undesirable side effect of urinary retention by not abruptly and completely occluding the urethra in normal bladder movements, but prevents excessive bladder neck decent to minimize urine leakage in stress situations.

The elasticity of the sling of the present invention provides additional benefits as well. The medical literature reports that one side effect of sling procedures performed in the prior art can be urethral tissue erosion. This erosion can be the result of

prolonged and tight contact of a relatively non-yielding synthetic material with the urethra. The present invention, by providing a sling made of an elastic material which more closely approximates the surrounding tissue's softness, reduces the amount of injury to the urethra as well as possible chronic nerve compression damages as compared to the stiffer and non-yielding materials used in the prior art. Alternatively, elastic or stretchable anchoring sutures can be used to achieve these same advantages.

#### **BRIEF DESCRIPTION OF THE DRAWINGS**

A greater understanding of the present invention can be derived from a reading of the following detailed description of the invention in conjunction with the drawings which also form a part of this specification. In the drawings, like parts of the various embodiments have been given like numbers.

Figure 1 is a top view of a sling made in accordance with the present invention.

Figure 2 is a cross-sectional view through line 2-2 in Figure 1.

Figure 3 is a top view of a second embodiment of a sling made in accordance with the present invention.

Figure 4 is a cross-sectional view through line 4-4 in Figure 3.

Figure 5 is a top view of a third embodiment of a sling made in accordance with the present invention.

Figure 6 is a cross-sectional view through line 6-6 in Figure 5.

Figure 7 is a top view of a sling made in accordance with a fourth embodiment of the present invention.

Figure 8 is a cross-sectional view through line 8-8 in Figure 7.

Figure 9 is a top view of a sling made in accordance with a fifth embodiment of the present invention.

Figure 10 is a cross-sectional view through line 10-10 in Figure 9.

Figure 11 is a top view of a sling made in accordance with a sixth embodiment of the present invention.

Figure 12 is a cross-sectional view through line 12-12 in Figure 11.

Figure 13 is a plan view showing elastic sutures secured to a suture anchor.

#### DETAILED DESCRIPTION OF THE INVENTION

The drawings show six different embodiments of the invention. Each embodiment includes a support 1 and a pair of suture anchors 2 and 3. The first four embodiments also include a pair of relief holes 4 and 5, and at least four sutures 6, 7, 8 and 9 where suture 6 and 7 can be contiguous, and suture 8 and 9 can be contiguous. The support 1 is preferably made of a synthetic biocompatible, elastic material. The elasticity of the material should approximate that of the tissue normally surrounding the urethra. One such material is silicone. When silicone is used, the support 1 will generally be non-porous and no tissue integration into the support 1 will occur. Alternately, the support 1 can be made of a woven or porous material to promote tissue integration into the support 1. The support 1 can also be coated to inhibit infection or inflammation or to promote tissue repair, tissue growth, and lubricity. The support 1 can have a generally rectangular shape as shown in Figures 5 and 7. To provide for better distribution of tension to the urethra, to minimize tissue damage, and to minimize erosion, the support 1 can also have an oval

shape as shown in Figures 1 and 3.

The suture anchors 2 and 3 can be made of a variety of materials including metal or of a semi-rigid thermoplastic material. More specifically, the suture anchors 2 and 3 can be made of stainless steel or polypropylene, polyethylene, polytetrafluoroethylene, or nylon.

The suture anchors 2 and 3 serve to reinforce the ends of the support 1. The suture anchors 2 and 3 also improve suture attachment to the support 1. The suture anchors 2 and 3 also provide more even distribution of pull force to the support 1 as it supports the urethra.

The relief holes 4 and 5 are provided to increase the overall stretchability or elasticity of the support 1. The relief holes may not be needed if the material from which support 1 is made sufficiently elastic. The size and the number of relief holes can be modified to adjust the stretchability or elasticity of the support 1.

The sutures 6-9 are used to fix the sling to the abdominal tissue, pubis symphysis or any other suitable tissue or support to anchor the sling in place. A shorter support 1 can be combined with longer sutures extending from the ends of the support 1 to provide the surgeon with more options for securing the sling in place.

The embodiments shown in Figures 3-4 and 7-8 include additional structures for limiting the overall elastibility of the sling. Specifically, these embodiments include a flexible, stretchable sheath 10 extending laterally across and secured to the underside of the support 1. The sheath 10 is both thin and very elastic as compared to the support 1. Encased within the sheath 10 is a monofilament string 11, the opposite ends



of which are secured to the suture anchors 2 and 3. The monofilament string 11 is "pre-coiled" by a heat-set operation. In this configuration, the monofilament string serves as a brake to limit how much the sling can stretch. As the sling stretches, the monofilament string 11 uncoils. When the string 11 is fully uncoiled, the sling can stretch no further. The sheath 10 is placed on the underside of the support 1 away from the urethra so it does not irritate the urethra. The sheath 10 can be made of silicone or some other elastomeric material which prevents tissue ingrowth that could interfere with the coiling or uncoiling of the string 11. Alternatively, the string 11 could be embedded in the material from which support 1 is made so that the sheath 10 is integral with the support 1.

The embodiments shown in Figures 9-12 each include a pair of ribs 20 and 22 to prevent the sling from folding over onto itself as the bladder expands or contracts. The slings shown in these drawings again include a support 1 and a pair of suture anchors 2 and 3. The support 1 is preferably formed of silicone or other elastic material. The suture anchors could be, for example, formed of a polyester mesh 125 laminated to a silicone layer of the support 1. The ribs 20 and 22 are positioned to reside on opposite sides of the urethra when the sling is in place. As shown in Figures 10 and 12, the ribs do not have to have a uniform thickness. Instead, the ribs can be curved and bow downwardly from the support 1. The shape and positioning of the ribs 20 and 22 help prevent the sling from folding over on itself as the bladder inflates with urine causing changes in the relative angle between the urethra and the bladder at the bladder neck region.

Important benefits are achieved if the sling is elastic or stretchable. This elasticity can be achieved through the use of sutures which are elastic along their entire length. Alternatively, stretchable sutures of the type shown in Figure 13 could be used. In Figure 13, the sling includes a support 1 and suture anchor 2. The sutures 6 and 7 include a pair of non-elastic segments 50 and 52 in either side of an elastic stretchable segment 54. The non-elastic segments 50 are used to tie knots. The non-elastic segments 52 are used to secure the sutures to the suture anchor. The elastic sections 54 allow limited, controlled movement of the sling.

As indicated above, the present invention is used to treat urinary incontinence by supporting the urethra and neck of the bladder. The device is surgically implanted so that the support 1 is beneath and in contact with the area to be supported. The surgeon sutures the device to abdominal tissue, pubis symphysis, other tissue or support suitable to fix the sling in place. The sling, when so positioned, flexibly supports the urethra and neck of the urethra. Sufficient support is provided to inhibit unintended discharge of urine. Yet, there is sufficient elasticity so that prolonged urinary retention is not a problem and the bladder can be voided at the approximate time.

What is claimed is:

**CLAIMS**

1. For the treatment of urinary incontinence by supporting the urethra and neck of the bladder, a sling comprising:
  - a) a stretchable support;
  - b) first and second suture anchors positioned at opposite ends of the stretchable support;
  - c) sutures cooperating with said suture anchors to fix the stretchable support in place; and  
a pair of ribs extending across the stretchable support to prevent the stretchable support from folding over onto itself.
2. The sling of claim 1 wherein said ribs are spaced from each other so that they reside on opposite sides of a urethra supported by said sling.
3. The sling of claim 1 wherein said ribs do not have a uniform thickness.
4. The sling of claim 1 wherein said ribs are curved so that they bow downwardly from said stretchable support.
5. The sling of claim 1 wherein said sutures are made of an elastic material.
6. The sling of claim 1 wherein said sutures have an elastic section.
7. For the treatment of urinary incontinence by supporting the urethra and neck of the bladder, a sling comprising:
  - a) a support;
  - b) first and second suture anchors positioned at opposite ends of the support;
  - c) sutures cooperating with said suture anchors to fix the support in place, at least a portion of said sutures being stretchable; and

d) a pair of ribs extending across the support to prevent the support from folding over onto itself, said ribs spaces from each other so that they reside on opposite sides of the urethra supported by the sling, said ribs having a non-uniform thickness and curved so that they bow downwardly from said support.

8. The sling of claim 7 wherein said support is stretchable.

9. For the treatment of urinary incontinence by supporting the urethra and neck of the bladder, a sling comprising:

- a) a support;
- b) first and second suture anchors positioned at opposite ends of the support; and
- c) sutures cooperating with said suture anchors to fix the support in place, at least a portion of said sutures being stretchable.

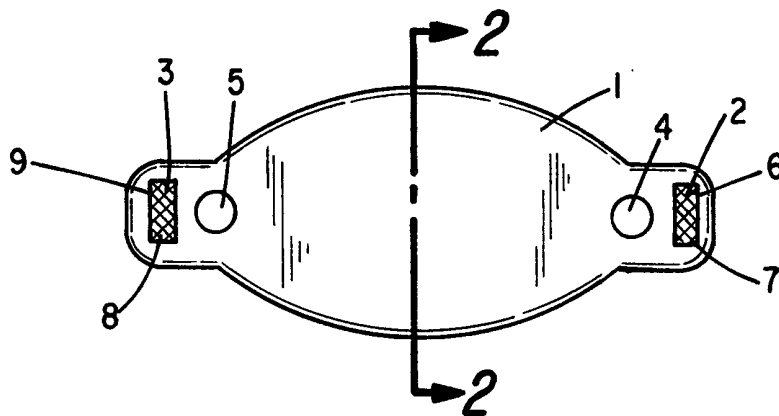


FIG. 1

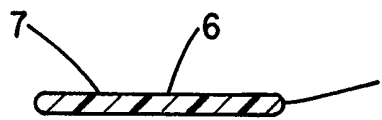


FIG. 2

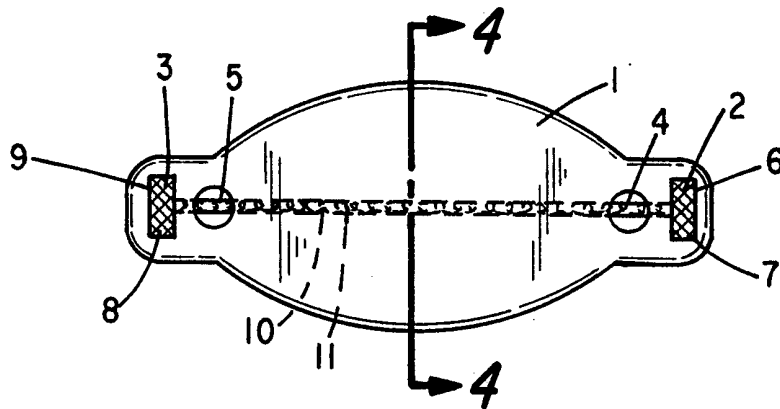


FIG. 3

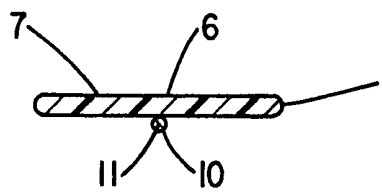


FIG. 4

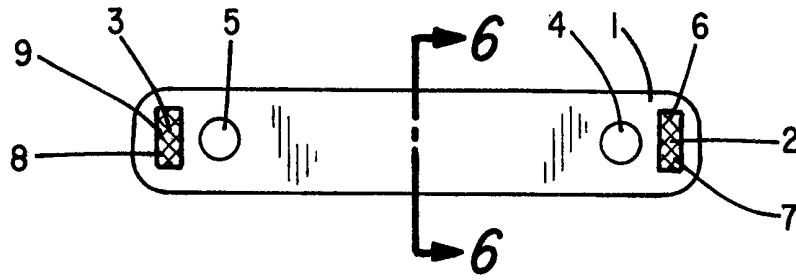


FIG. 5



FIG. 6

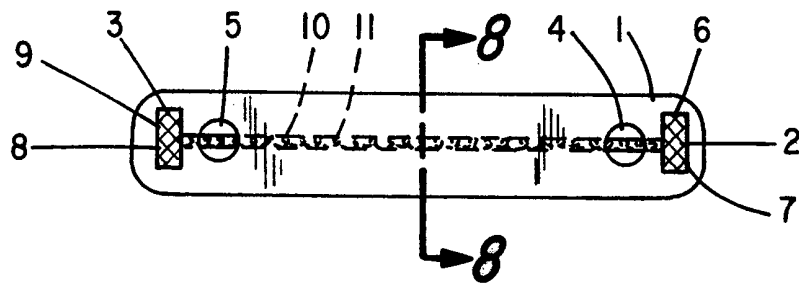


FIG. 7

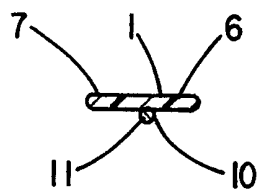
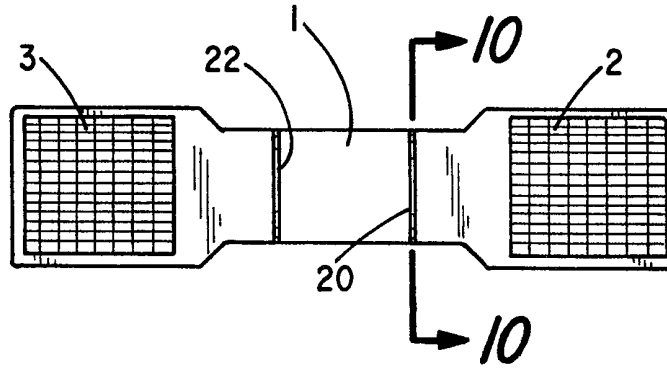
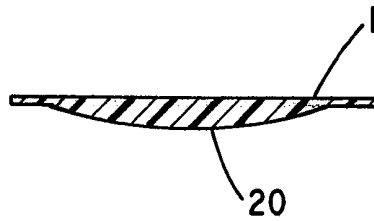


FIG. 8





**FIG. 9**



**FIG. 10**

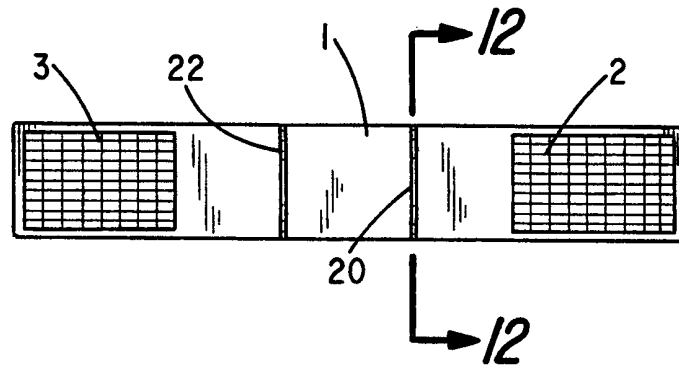


FIG. 11

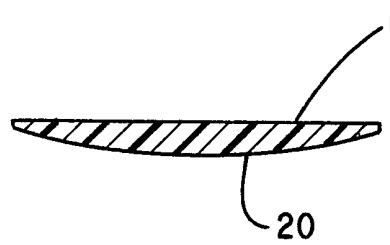
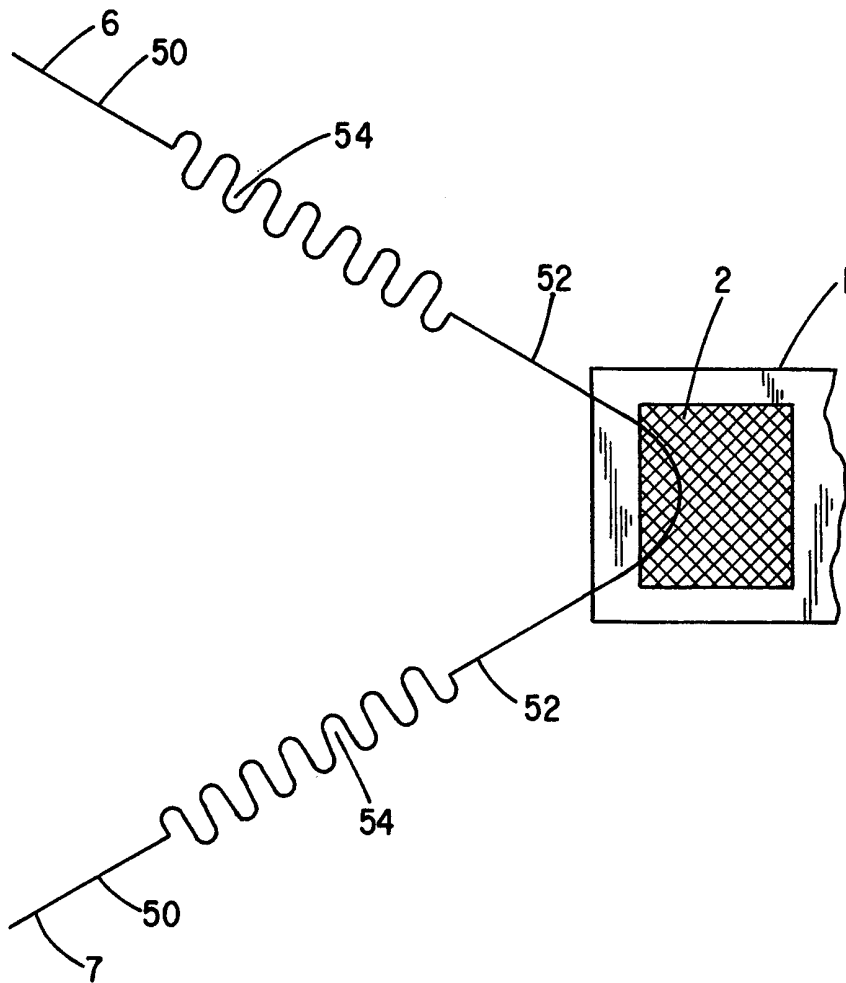


FIG. 12



**FIG. 13**

## INTERNATIONAL SEARCH REPORT

International application No.

PCT/US99/17474

**A. CLASSIFICATION OF SUBJECT MATTER**

IPC(6) : A61F 1/00, 02, 5/48

US CL : 128/885: 600/29, 30, 37

According to International Patent Classification (IPC) or to both national classification and IPC

**B. FIELDS SEARCHED**

Minimum documentation searched (classification system followed by classification symbols)

U.S. : 128/885; 600/29, 30, 37

Documentation searched other than minimum documentation to the extent that such documents are included in the fields searched

Electronic data base consulted during the international search (name of data base and, where practicable, search terms used)

**C. DOCUMENTS CONSIDERED TO BE RELEVANT**

Category*	Citation of document, with indication, where appropriate, of the relevant passages	Relevant to claim No.
X, P	US 5,840,011 A (LANDGREBE et al.) 24 November 1998, Abstract.	1-9
X	US 5,785,640 A (KRESCH et al.) 28 July 1998, Abstract.	1-9
X	US 5,362,294 A (SEITZINGER) 08 November 1994, Abstract.	1-9
Y	US 5,562,689 A (GREEN et al.) 08 October 1996, Abstract.	1-9
Y	US 5,386,836 A (BISWAS) 07 February 1995, Abstract.	1-9
Y	US 4,920,986 A (BISWAS) 01 May 1990, Abstract.	1-9

 Further documents are listed in the continuation of Box C.
  See patent family annex.

* Special categories of cited documents:	"T"	later document published after the international filing date or priority date and not in conflict with the application but cited to understand the principle or theory underlying the invention
"A" document defining the general state of the art which is not considered to be of particular relevance	"X"	document of particular relevance; the claimed invention cannot be considered novel or cannot be considered to involve an inventive step when the document is taken alone
"E" earlier document published on or after the international filing date	"Y"	document of particular relevance; the claimed invention cannot be considered to involve an inventive step when the document is combined with one or more other such documents, such combination being obvious to a person skilled in the art
"L" document which may throw doubts on priority claim(s) or which is cited to establish the publication date of another citation or other special reason (as specified)	"&"	document member of the same patent family
"O" document referring to an oral disclosure, use, exhibition or other means		
"P" document published prior to the international filing date but later than the priority date claimed		

Date of the actual completion of the international search

29 OCTOBER 1999

Date of mailing of the international search report

10 DEC 1999

 Name and mailing address of the ISA/US  
 Commissioner of Patents and Trademarks  
 Box PCT  
 Washington, D.C. 20231

Facsimile No. (703) 305-3230

Authorized officer

NATNITHITHADHA, NAVIN

Telephone No. (703) 305-2445