



US00D485895S

(12) **United States Design Patent** (10) **Patent No.:** **US D485,895 S**  
**Melwani** (45) **Date of Patent:** **\*\* Jan. 27, 2004**

(54) **ELECTRIC FAN**

(75) Inventor: **Ravin G. Melwani, HK SAR (CN)**

(73) Assignee: **B.K. Rekhatek (H.K.) Ltd., Kowloon (HK)**

(\*\*) Term: **14 Years**

(21) Appl. No.: **29/180,478**

(22) Filed: **Apr. 24, 2003**

(51) **LOC (7) Cl.** ..... **23-04**

(52) **U.S. Cl.** ..... **D23/370**

(58) **Field of Search** ..... D23/382, 381,  
D23/370; 416/247 R, 246, 231 R, 231 B,  
189

(56) **References Cited**

**U.S. PATENT DOCUMENTS**

5,730,583 A \* 3/1998 Alizadeh ..... 416/189  
D458,361 S \* 6/2002 Melwani ..... D23/379

\* cited by examiner

*Primary Examiner*—Lisa Lichtenstein

(74) *Attorney, Agent, or Firm*—Alix, Yale & Ristas, LLP

(57) **CLAIM**

The ornamental design for an electric fan, as shown and described.

**DESCRIPTION**

FIG. 1 is a front, right side and top perspective view of an electric fan showing my new design;

FIG. 2 is a front elevational view thereof;

FIG. 3 is a top plan view thereof;

FIG. 4 is a right side elevational view thereof;

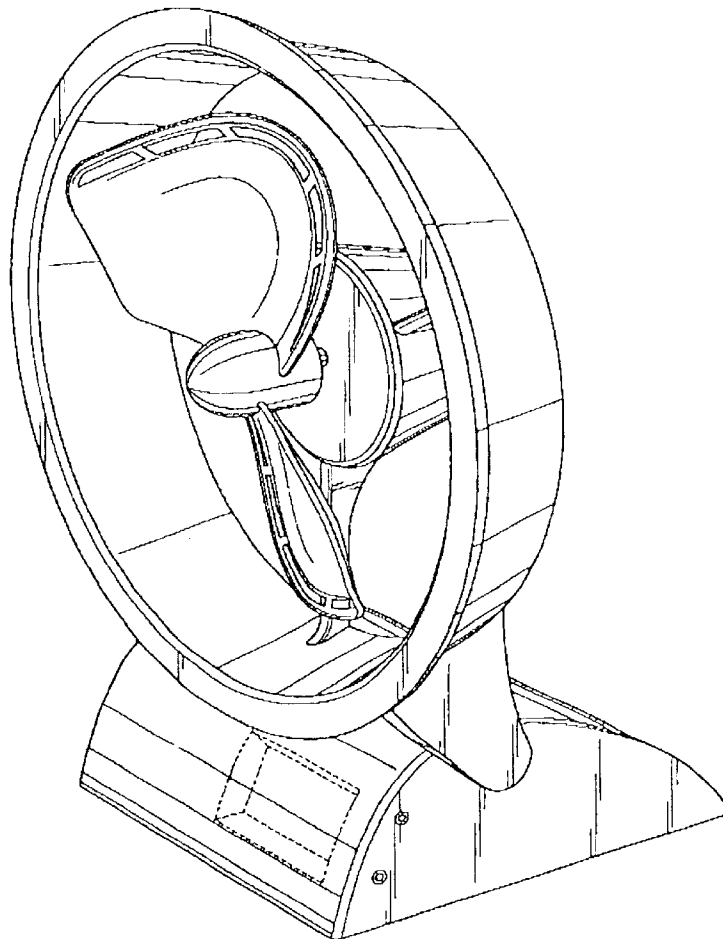
FIG. 5 is a left side elevational view thereof;

FIG. 6 is a rear elevational view thereof; and,

FIG. 7 is a bottom plan view thereof.

The broken line showing of environmental structure in FIGS. 1–3 is for illustrative purposes only and forms no part of the claimed design.

**1 Claim, 5 Drawing Sheets**



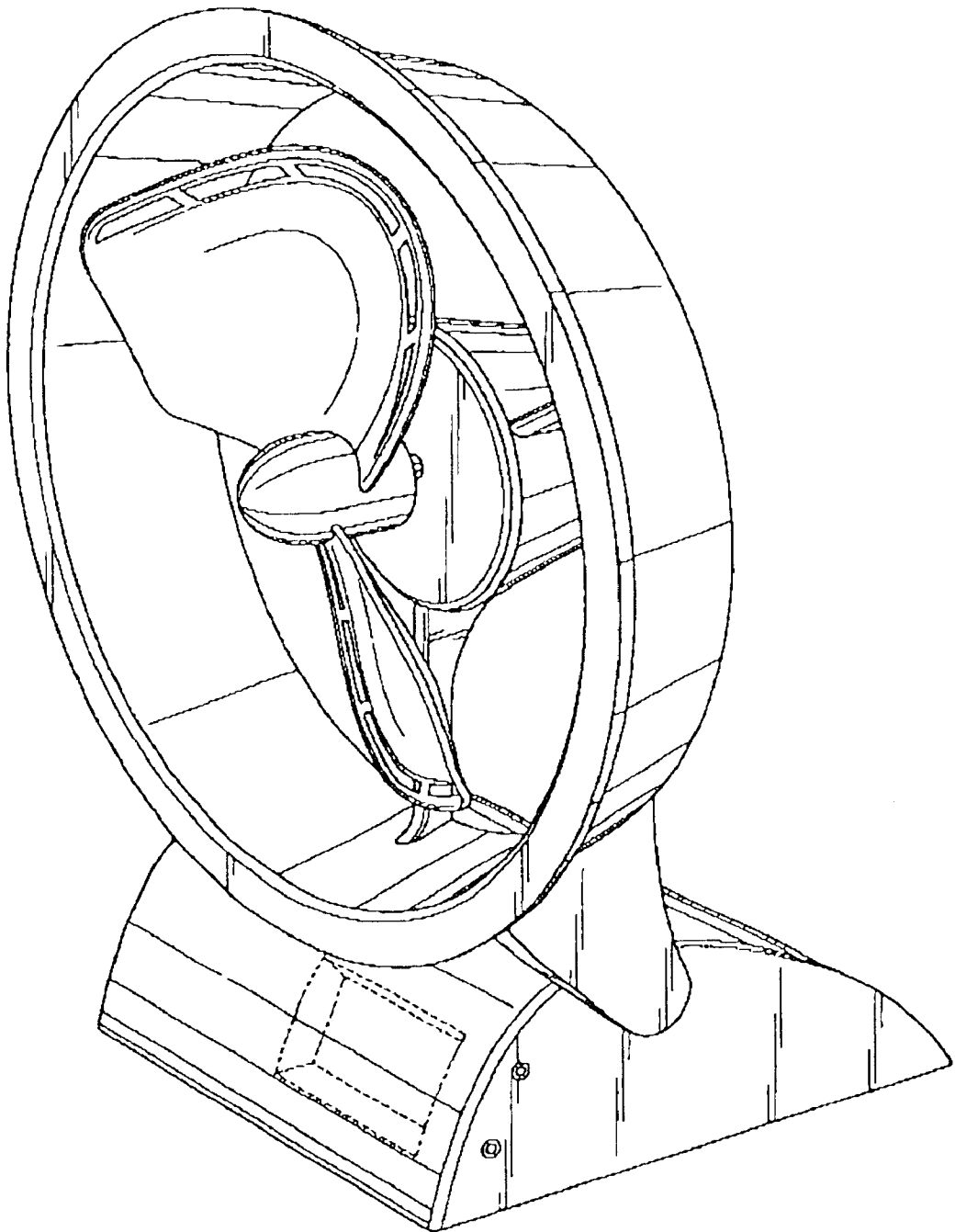


FIG. 1

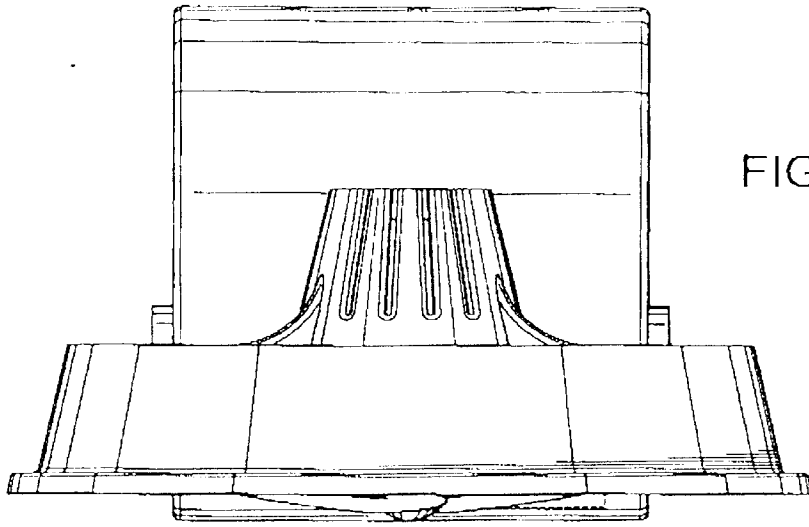


FIG. 3

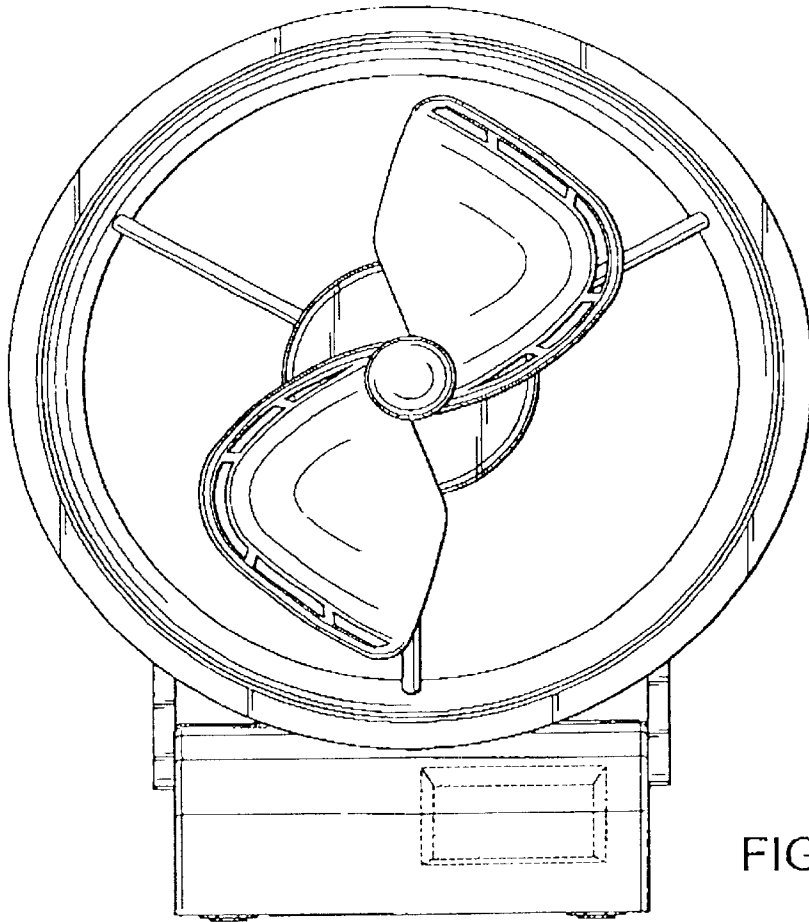


FIG. 2

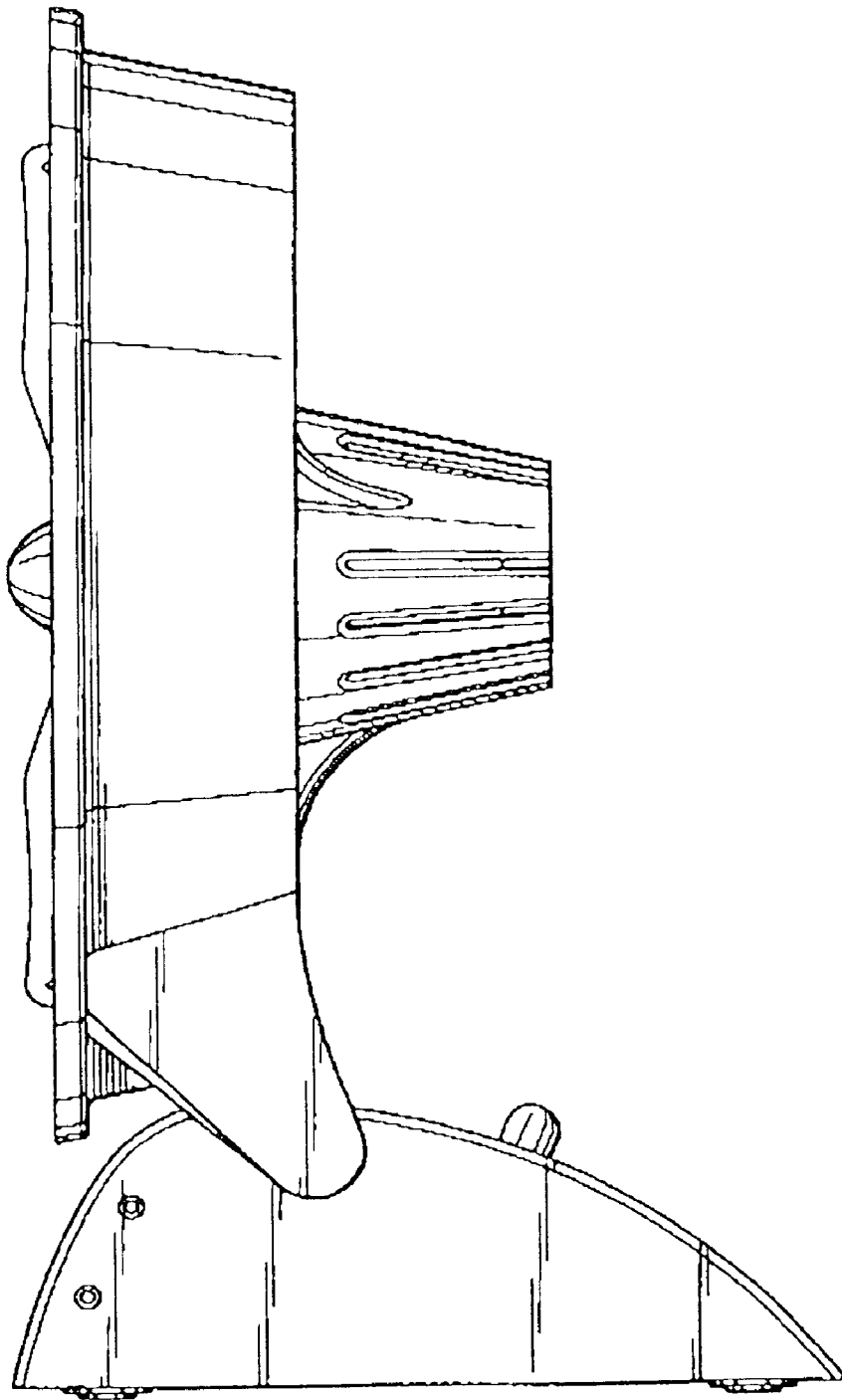


FIG. 4

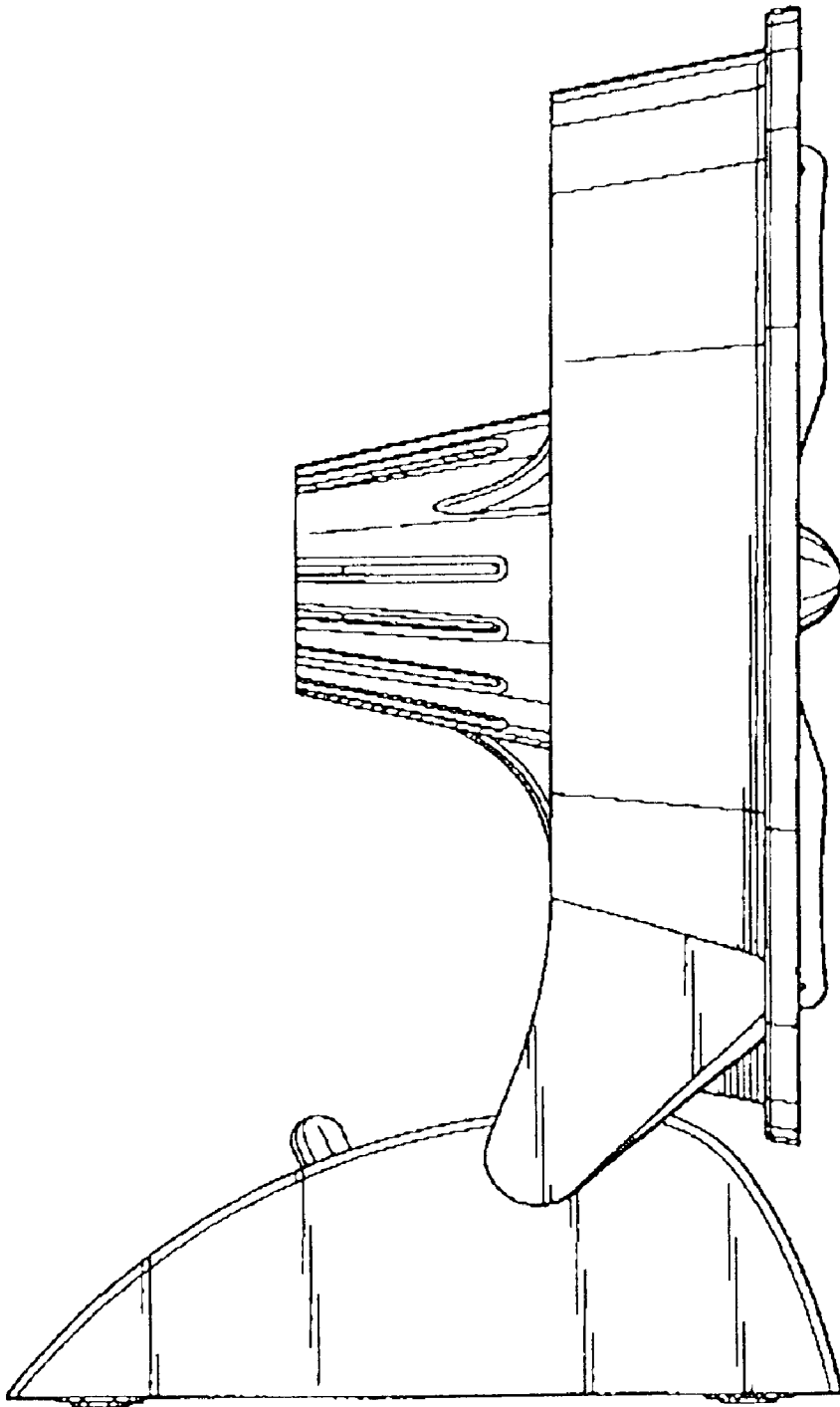


FIG. 5

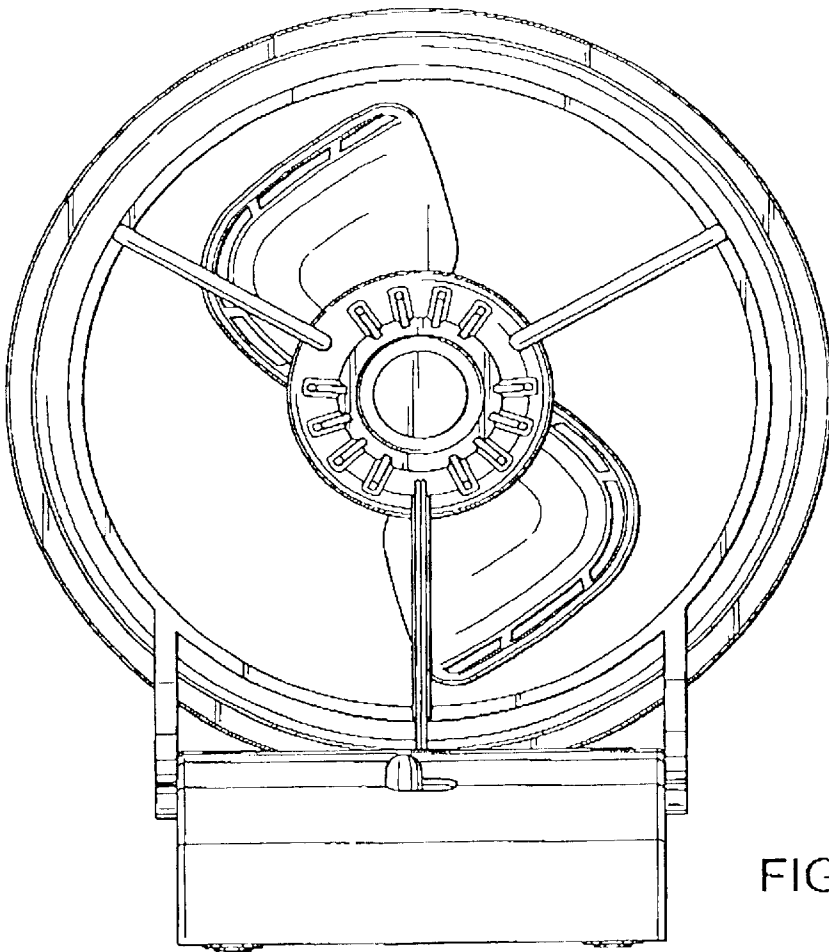


FIG. 6

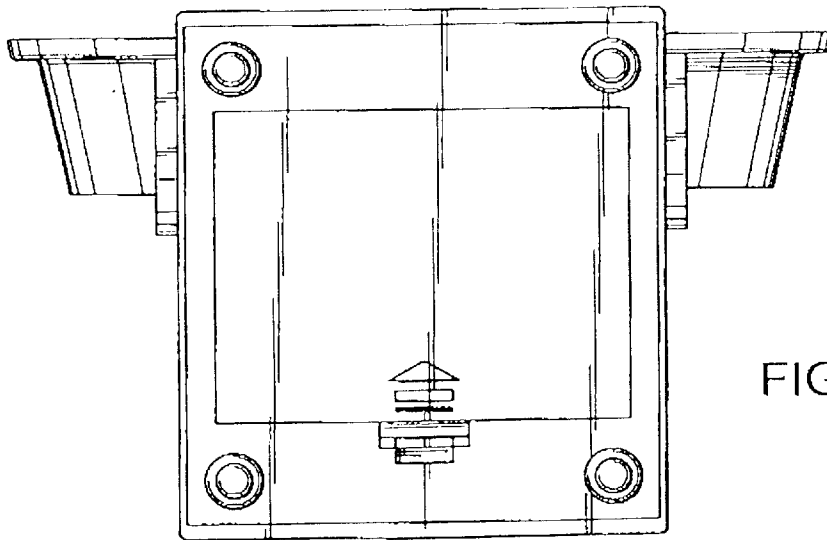


FIG. 7