

CORRECTED VERSION

(19) World Intellectual Property Organization
International Bureau



(10) International Publication Number
WO 2019/017780 A8

(43) International Publication Date
24 January 2019 (24.01.2019)

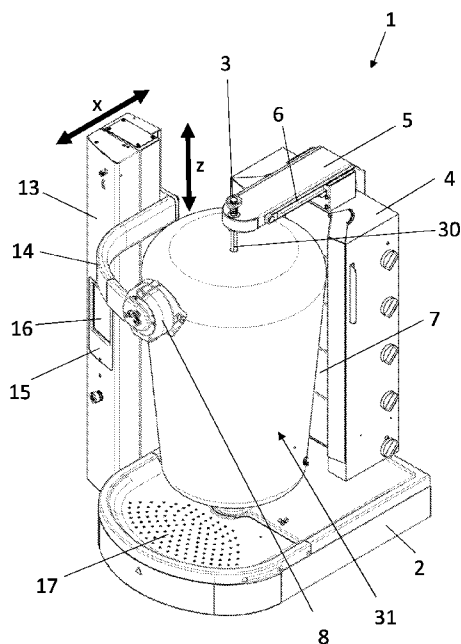
- (51) **International Patent Classification:**
A22C 17/00 (2006.01) A47J 37/04 (2006.01)
- (21) **International Application Number:**
PCT/NL2018/050495
- (22) **International Filing Date:**
17 July 2018 (17.07.2018)
- (25) **Filing Language:** English
- (26) **Publication Language:** English
- (30) **Priority Data:**
2019287 20 July 2017 (20.07.2017) NL
- (71) **Applicant:** cJet B.V. [NL/NL]; 515, Benjamin Franklinstraat, 3029 AC ROTTERDAM (NL).
- (72) **Inventors:** HAVIK, Sander Martijn; 14, Meikeverstraat, 2651 KN Berkel En Rodenrijs (NL). SCHATORJÉ, Ruud Jacobus Wilhelmus; 2-1, Van Spilbergenstraat, 1057 RG Amsterdam (NL).
- (74) **Agent:** VERMEULEN, M.; EP&C, P.O. Box 3241, 2280 GE RIJSWIJK (NL).

- (81) **Designated States** (unless otherwise indicated, for every kind of national protection available): AE, AG, AL, AM, AO, AT, AU, AZ, BA, BB, BG, BH, BN, BR, BW, BY, BZ, CA, CH, CL, CN, CO, CR, CU, CZ, DE, DJ, DK, DM, DO, DZ, EC, EE, EG, ES, FI, GB, GD, GE, GH, GM, GT, HN, HR, HU, ID, IL, IN, IR, IS, JO, JP, KE, KG, KH, KN, KP, KR, KW, KZ, LA, LC, LK, LR, LS, LU, LY, MA, MD, ME, MG, MK, MN, MW, MX, MY, MZ, NA, NG, NI, NO, NZ, OM, PA, PE, PG, PH, PL, PT, QA, RO, RS, RU, RW, SA, SC, SD, SE, SG, SK, SL, SM, ST, SV, SY, TH, TJ, TM, TN, TR, TT, TZ, UA, UG, US, UZ, VC, VN, ZA, ZM, ZW.
- (84) **Designated States** (unless otherwise indicated, for every kind of regional protection available): ARIPO (BW, GH, GM, KE, LR, LS, MW, MZ, NA, RW, SD, SL, ST, SZ, TZ, UG, ZM, ZW), Eurasian (AM, AZ, BY, KG, KZ, RU, TJ, TM), European (AL, AT, BE, BG, CH, CY, CZ, DE, DK, EE, ES, FI, FR, GB, GR, HR, HU, IE, IS, IT, LT, LU, LV, MC, MK, MT, NL, NO, PL, PT, RO, RS, SE, SI, SK, SM, TR), OAPI (BF, BJ, CF, CG, CI, CM, GA, GN, GQ, GW, KM, ML, MR, NE, SN, TD, TG).

Published:
— with international search report (Art. 21(3))

(54) **Title:** AUTOMATIC MEAT CUTTING APPARATUS

Figure 1



(57) **Abstract:** The present invention relates to an automatic meat cutting apparatus, comprising: a skewer holding system to hold a skewer with meat in a vertical position and to rotate the skewer about a vertical axis of rotation, a grill unit to grill meat on the skewer, a meat cutting device to cut meat from the skewer, and an actuator system to move the cutting device with respect to the skewer, characterized in that the automatic meat cutting apparatus comprises: a sensor device arranged to provide a sensor signal representative for a location of the meat on the skewer, and a processing unit to control the actuator system to move the cutting device to a desired cutting position on the basis of the sensor signal.

WO 2019/017780 A8

(48) Date of publication of this corrected version:

28 March 2019 (28.03.2019)

(15) Information about Correction:

see Notice of 28 March 2019 (28.03.2019)