



US00D347286S

# United States Patent [19]

[11] Patent Number: Des. 347,286

Bancroft

[45] Date of Patent: \*\* May 24, 1994

[54] UPPER VENT HEAD

Assistant Examiner—Doris Clark

[76] Inventor: Joseph C. Bancroft, 134 Harmony La., McComb, Miss. 39648

Attorney, Agent, or Firm—Macdonald J. Wiggins

[\*\*] Term: 14 Years

[57] CLAIM

[21] Appl. No.: 940,835

The ornamental design for a upper vent head, as shown and described.

[22] Filed: Sep. 8, 1992

### DESCRIPTION

[52] U.S. Cl. .... D25/124

[58] Field of Search ..... 49/501, 504, DIG. 2; D25/60, 124, 125

FIG. 1 is a fragmentary top perspective view of the upper vent head showing my design;

FIG. 2 is a top plan view thereof broken away to indicate indeterminate length;

FIG. 3 is a bottom plan view thereof broken away to indicate indeterminate length;

### [56] References Cited

#### U.S. PATENT DOCUMENTS

D. 226,374 2/1973 Dallaire et al. .... D25/60

D. 285,611 9/1986 Slocomb, Jr. .... D25/124

3,473,266 10/1969 Miller ..... 49/504

3,796,008 3/1974 Eakin ..... 49/504

4,949,506 8/1990 Dorham, Jr. .... 49/DIG. 2

FIG. 4 is a front elevational view thereof in which the rear elevational view is a mirror image of the front view;

FIG. 5 is a right elevational view thereof broken away to indicate indeterminate length; and,

FIG. 6 is a left elevational view thereof broken away to indicate indeterminate length.

Primary Examiner—A. Hugo Word

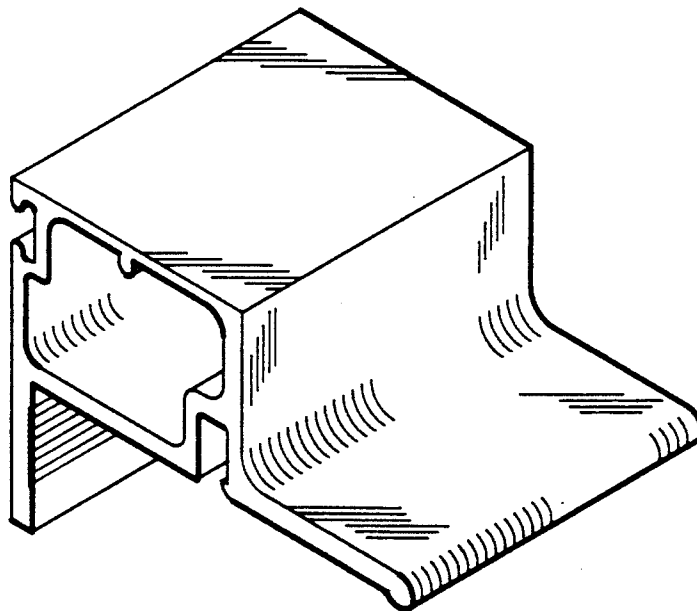


FIG. 1

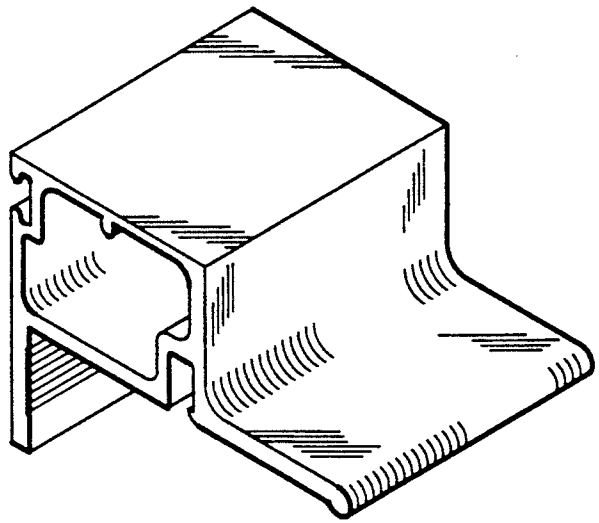


FIG. 2

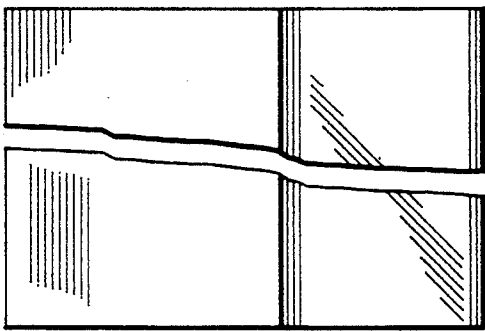


FIG. 3

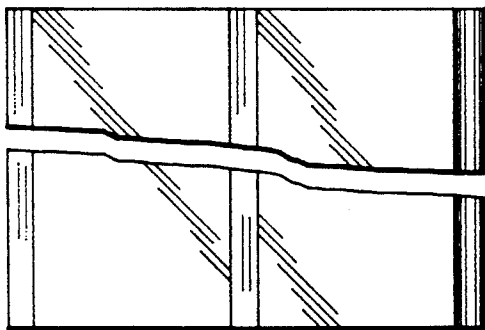


FIG. 4

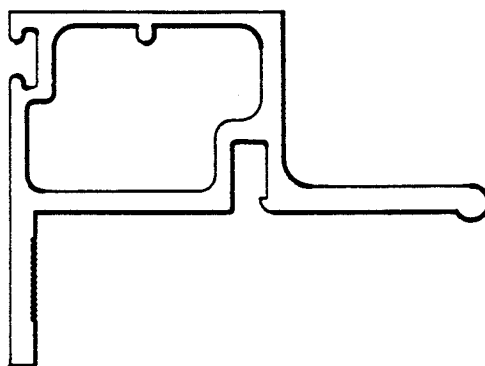


FIG. 5

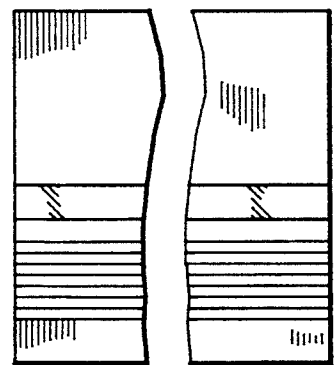


FIG. 6

