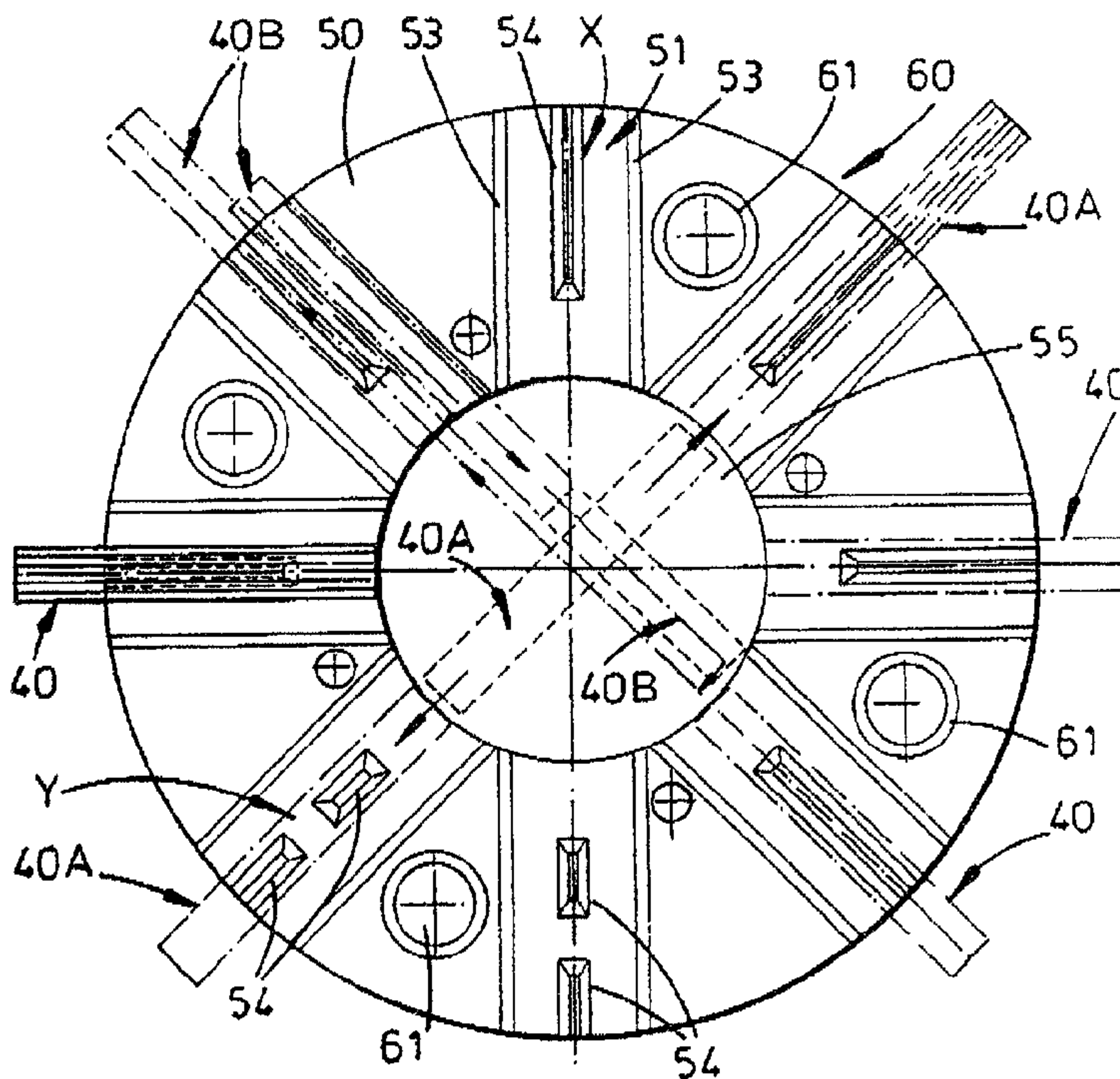




(86) Date de dépôt PCT/PCT Filing Date: 1991/07/02
 (87) Date publication PCT/PCT Publication Date: 1992/01/23
 (45) Date de délivrance/Issue Date: 2003/09/30
 (85) Entrée phase nationale/National Entry: 1993/01/05
 (86) N° demande PCT/PCT Application No.: GB 1991/001075
 (87) N° publication PCT/PCT Publication No.: 1992/000835
 (30) Priorité/Priority: 1990/07/06 (9014994.9) GB

(51) Cl.Int.⁵/Int.Cl.⁵ B24C 5/06
 (72) Inventeur/Inventor:
 MACMILLAN, WILLIAM ROBERTSON, GB
 (73) Propriétaire/Owner:
 U S F SURFACE PREPARATION LIMITED, GB
 (74) Agent: MARKS & CLERK

(54) Titre : MAHCINE A PROJECTION CENTRIFUGE D'ABRASIF
 (54) Title: ABRASIVE THROWING WHEEL ASSEMBLIES



(57) Abrégé/Abstract:

An abrasive throwing wheel assembly comprises a throwing wheel having parallel annular side plates joined by spacers with the facing surfaces of the side plates having angularly-spaced registering throwing blade locating slots and throwing blades with lateral rails or edges for location in the slots. The side wheels slots are wider than is customary and contain central radially-extending projections. The lateral rails or edges of the throwing blades are grooved from the tips inwardly for at least part of their lengths. The throwing blades are located by interengagement between the sidewall projections and the rail or edge grooves of the blades. This reduces the surface contact between the blades and the side plates with consequent reduction in the accumulation of jamming abrasive during use. Throwing blade removal is thus facilitated. The wider slots remove the narrow radial flow of high velocity abrasive or shot between the slot walls and throwing blade side rails or edges which is customary thus reducing side plate, especially side plate rim, wear.

2086760

ABSTRACT OF THE DISCLOSURE

An abrasive throwing wheel assembly comprises a throwing wheel having parallel annular side plates joined by spacers with the facing surfaces of the side plates having angularly-spaced registering throwing blade locating slots and throwing blades with lateral rails or edges for location in the slots. The side wheels slots are wider than is customary and contain central radially-extending projections. The lateral rails or edges of the throwing blades are grooved from the tips inwardly for at least part of their lengths. The throwing blades are located by interengagement between the sidewall projections and the rail or edge grooves of the blades. This reduces the surface contact between the blades and the side plates with consequent reduction in the accumulation of jamming abrasive during use. Throwing blade removal is thus facilitated. The wider slots remove the narrow radial flow of high velocity abrasive or shot between the slot walls and throwing blade side rails or edges which is customary thus reducing side plate, especially side plate rim, wear.

ABRASIVE THROWING WHEEL ASSEMBLIES

This invention relates to centrifugal abrasive throwing wheel assemblies such as are used in shot blasting machinery.

One form of throwing wheel assembly comprises, inter alia, a throwing wheel and a set of throwing blades. The throwing wheel comprises a pair of annular side plates conjoined in parallel relationship by spacers. The inside face of each side plate is formed with a number of angularly-spaced slots extending between the inner and outer diameters of the side plate, the numbers of slots being equal to the number of throwing blades in the set of throwing blades. The slots in the side plates are in register and serve to mount the throwing blades within the throwing wheel.

A throwing blade has at least one throwing face and its lateral edges are usually of greater depth, viewing the throwing blade in transverse cross-section, but not necessarily so. The opposed lateral edges, so-called rails if of greater depth than the throwing face or faces, of a throwing blade engage and are located in a pair of registering slots to mount the throwing blade in the throwing wheel and various securing arrangements, well known to those skilled in the art, are employed releasably to retain the throwing blades within the throwing wheel for operational purposes.

Depending on the construction and/or dimensions of the throwing blades and the throwing wheel, and/or the throwing blade-securing arrangement employed, the throwing blades may be inserted into their locating slots or grooves either from the inner diameter or the outer diameter of the throwing wheel.

Thus with all known twin side plate throwing wheel assemblies the side plates are internally slotted to accept and locate complementarily-shaped solid lateral rails or edges of throwing blades, i.e. a female (side plate slots) and a male (solid throwing blade lateral rails or edges) connection and location.

The invention is especially but not exclusively concerned with a throwing wheel assembly in which the throwing blades are fitted into and withdrawn from the throwing wheel through the central opening of the throwing wheel, the blades being retained in position

within the wheel by abutment of co-operating formations on the throwing blades and the side plates of the throwing wheel. Inward movement of the blades in the throwing wheel assembly is prevented by the presence of the customary removable control cage and vane-type impeller with combined or separate centering plate traversing the central openings of the side plates.

An example of such a throwing wheel assembly is disclosed in our United Kingdom Patent No. 1 500 092. In this patent, the side plates of the throwing wheel are, as is customary, radially slotted to receive and locate the lateral rails of the throwing blades, each slot at its inner end, i.e. adjacent to the central opening, being deeper than the remainder of the slot to define a ledge against which abuts a nose provided on each lateral rail of the throwing blade. Thus, in this Patent, there is disclosed lateral radial location of the throwing blades between the side plates. In this Patent, both faces of each throwing blade are identical so that the throwing wheel assembly is operationally reversible.

A variation of this throwing wheel assembly is disclosed in our European Patent No. 0148775 wherein each throwing blade has mounted in each lateral rail adjacent its inner end, when considering the throwing blade mounted in its throwing wheel, a synthetic polymeric or elastomeric strip which stands proud of the lateral rail and which lies within a dovetail-shaped groove disposed perpendicular to planes containing the throwing faces of the throwing blades. These strips serve both to provide a barrier to flow of fine abrasive and/or contaminations up the lateral rails of the throwing blades with consequent wear thereon and on the walls of the slots and to frictionally hold the throwing blades in position between the side plates of the throwing wheel until the centering plate, with or without the combined vane-type impeller and the control cage are located within the central opening of the throwing wheel.

The present invention is not restricted to the throwing blades and the throwing wheels disclosed in our aforesaid Patents.

With our aforesaid patented throwing wheel assemblies, worn throwing blades are removable for replacement purposes by firstly removing the control cage and the vane-type impeller with combined or separate centering plate and then tapping the throwing blades

2086760

01 September 1992

- 3 -

inwardly for removal through the central opening in one of the side plates.

However, in practice it is found that due to accumulation of abrasive between the side plates and the lateral rails of the throwing blades within the locating slots in the side plates, release of a throwing blade is resisted and it becomes necessary to hammer the throwing blades inwards to effect their release and subsequent removal. It sometimes happens that the throwing blades seize solid between the side plates necessitating scrapping of the whole throwing wheel assembly.

In addition, a consequence of such forcible release is the likelihood of damage to a motor shaft, or bearing house assembly, on which the throwing wheel assembly is mounted.

It is therefore an object of the present invention to provide a throwing blade and a throwing wheel for an abrasive throwing wheel assembly which obviates or mitigates such abrasive accumulation between throwing blades and side plates and consequently the need for such forcible removal from the abrasive throwing wheel assembly and the possible adverse consequences stemming therefrom.

It is also an object of this invention to provide throwing wheel side plates having throwing blade receiving slots of a configuration whereby side plate wear, and especially side plate rim wear, is substantially reduced.

Also known within the art of abrasive throwing wheel assemblies are single side plate throwing wheels with radially-extending throwing blades secured, along one edge thereof, to the side plate by interengaging and complementary male and female formations on the throwing blades and side plates respectively, the blades being spatially grooved or slotted along said edge to accommodate holding springs and releasable locking pins releasably to lock the throwing blades and the side plate together.

Examples of such throwing wheel assemblies are disclosed in US-A-4697391, US-A-3241266 and US-A-2869289.

US-A-4697391 discloses a single side plate abrasive throwing wheel in which the side plate has radially-extending undercut or dovetail cross-section channels, each to receive a curved,

2086760

- 4 -

operationally uni-directional throwing blade. Each blade, at one side, has a base of complementary shape to a respective channel and for insertion into the channel. The surface of the blade base adjacent the floor of its respective channel has three longitudinally-spaced laterally-extending grooves, i.e. open to one side of the blade base. A leaf spring is disposed in the middle groove to urge the blade base away from the channel floor to seat the blade base firmly in the channel.

The outer end of each channel includes as part of its floor an angular well with a magnet incorporated in its floor.

The outer end of each throwing blade has a laterally open ramp configuration disposed opposite the well in the channel floor when the throwing blade is mounted in its respective channel.

Each blade is inserted in its respective channel, inward radial movement of the blade being restricted by a runnerhead disposed centrally of the side plate.

A securing pin is inserted angularly into the well/ramp chamber between the blade base and channel floor from the periphery of the side plate and is then aligned with the throwing blade axis in which position it is magnetically secured. The throwing blade is then moved radially outwardly from the runnerhead to clamp the securing pin between the blade base and channel floor thereby removably fixing the throwing blade in position on the runner head, the leaf spring, as mentioned, firmly seating the blade base in the side plate channel. Blade removal is effected by a reversal of the above actions.

US-A-3241266 discloses a single side plate abrasive throwing wheel which has operationally bi-directional throwing blades, each having at one side a dovetail-shaped base adapted for engagement in a complementary-shaped channel in the side plate and having cut-outs or grooves adapted to receive a holding leaf spring and a locking pin which is wedge shaped and which is adapted to be clamped between a tapered cut-out in the blade base and a complementary tapered part of the channel.

US-A-2869289 discloses a single side plate throwing wheel with the side plate mounting radially-extending blades each having at one side a dovetail-shaped base engageable in a complementary dovetail-shaped channel in the side plate. Each blade base has three

01 September 1992

2086760

- 4a -

longitudinally-spaced slots or grooves with the middle one accommodating a leaf spring which cooperates with the floor of the respective channel to seat the blade base firmly in the latter. The outer slot or groove is open to the periphery of the side plate which removably mounts a locking pin against which an inner wall of the outer slot or groove is urged by a centrally but removably mounted cage and impeller arrangement of the abrasive throwing wheel to secure the throwing blade against radial movement.

It will be note that all three of these abrasive throwing wheel constructions have one side plate with dovetail or undercut channels adapted to receive the dovetail bases of throwing blades with the bases having longitudinally spaced slots or grooves for receiving leaf springs to hold the bases against the walls of the channels and removable locking pins for resisting radial outward movement of the throwing blades.

The throwing blade securing arrangements are thus relatively complex, not always easy to fasten and/or release, and there is always the risk of misplacement or loss of the loose locking pins and holding springs.

It is a further object of this invention to provide, compared with this construction of abrasive throwing wheel assembly, one which is substantially simpler to assemble and disassemble and which does not have the disadvantage of loose parts liable to misplacement or loss.

According to a first and broadest aspect of the present invention there is provided a throwing blade for mounting in a throwing wheel of an abrasive throwing wheel assembly wherein a lateral rail or edge of the throwing blade is grooved for blade location purposes, the throwing blade being characterised in that it is adapted for securement in a two side plate throwing wheel, and in that both lateral rails or edges of the throwing blade are grooved inwardly from the tip of the blade for blade location purposes.

As a result of the reduced area of contact resulting from the grooves hitherto jamming abrasive is either not retained between the throwing blade lateral rails or edges and the side plates of the throwing wheel, or, if it is, its removal is relatively easily effected before, and during, throwing blade removal.

2086760

- 4b -

Preferably, each lateral rail or edge of the throwing blade is formed with a groove configuration extending inwardly from its tip.

The groove configuration may, depending on the throwing blade securing arrangement employed, extend the full length of the throwing blade lateral rail or edge, or may extend inwardly from the tip for part of the throwing blade length.

Preferably, in the latter case, the groove configuration stops at or adjacent a throwing blade securing formation.

Preferably, the securing formation is within each lateral rail or edge of a throwing blade.

Preferably, in the case of our aforesaid patented throwing blades, the groove configuration terminates at the locating nose of the lateral rail.

Preferably, the groove configuration is of V-cross-section. It may, however, be of other cross-section, such, for example, as U or rectangular cross-section.

According to a third aspect of the present invention there is provided a side plate for a throwing wheel of an abrasive throwing wheel assembly, the side plate being of annular construction with a plurality of angularly-spaced radial slots extending between the inner and outer diameters of the side plate, each slot being divided or partitioned for at least part of its radial length by a throwing blade locating projection to define for said radial length part of a pair of side-by-side sub-slots.

According to a fourth aspect of the present invention there is provided a throwing wheel for an abrasive throwing wheel assembly, the throwing wheel comprising a pair of side plates as defined in the immediately preceding paragraph connected in parallel relationship by angularly-spaced spacers.

It is to be clearly understood, however, that the throwing blades

in accordance with the present invention can and may be employed with conventional and known throwing wheels, i.e. those where the side plates have single simple slots for receiving and locating throwing blade lateral rails or edges.

According to a fifth aspect of the present invention there is provided an abrasive throwing wheel assembly comprising a throwing wheel constituted by a pair of parallel side plates of annular construction joined by angularly-spaced spacers with the facing surfaces of the side plates being formed with a plurality of registering angularly-spaced radial slots extending between the inner and outer diameters of the side plates, and each slot being divided into two parallel sub-slots for at least part of its radial length by a blade locating projection, and a plurality of throwing blades mounted between the side plates with the lateral rails or edges of a respective throwing blade being located in a pair of respective registered slots, the lateral rails or edges of the throwing blade being grooved inwardly from the tip of the throwing blade to receive the locating projections in the slots.

The blade grooves and the side wall blade locating projections may be of such a configuration that there is angularly spaced facial and/or line (point) contact between the lateral rails or edges of the throwing blade and the blade locating projections of the side plates thereby easing throwing blade removal from between the side plates.

The aforesaid fifth aspect of the present invention may be modified in that the blade locating projections are omitted, i.e. the radial slots are simple single slots.

In this modification there are angularly spaced areas of facial contact between a side plate and the adjacent lateral rail or edge of a throwing blade.

A sixth aspect of the present invention is concerned with a throwing blade of the present invention as hereinbefore defined incorporating the synthetic polymeric or elastomeric location and barrier strips. In this aspect, each strip is moulded, preferably injection moulded, into its dovetail-shaped groove in the throwing blade lateral rail or edge and is in the form of a wiper blade which will give the required frictional holding and abrasive barrier characteristics.

6 2086760

The groove may be other than dovetail-shaped provided it can retain the flexible wiper blade in position on the throwing blade. It is likely that the flexible wiper blade will only stand proud laterally of the throwing blade lateral rail or edge.

In an alternative construction a synthetic polymeric or elastomeric insert may be located in the bottom of one, or each, groove of a throwing blade, preferably spaced from the blade securing formation for blade retention purposes.

Embodiments of the present invention will now be described, by way of example, with reference to the accompanying drawings, in which:-

Fig. 1 is a perspective view of one form of throwing blade according to the present invention;

Figs. 2 to 4 are respectively a side view, a plan view and a sectional view on line IV-IV of Fig. 2 of the throwing blade of Fig. 1;

Fig. 5 is a plan view of the inside face of a side plate for a throwing wheel according to the present invention showing two alternative forms of dual slots or grooves;

Fig. 6 is a sectional view on the line VI-VI of Fig. 5 through the slots or grooves;

Figs. 7 to 9 are fragmentary sectional views, to an enlarged scale, of respectively two alternative forms of throwing blades and side plates in accordance with the present invention, and a throwing blade in accordance with the present invention used with a conventional side plate;

Fig. 10 is a fragmentary perspective view of the inner end of the throwing blade of Fig. 1 and an adjacent throwing wheel side plate in accordance with Figs. 5 and 6;

Fig. 11 is a perspective view of another and preferred form of throwing blade according to this invention;

Figs. 11A and 11B are respectively fragmentary side and end views of the blade of Fig. 11;

Fig. 12 is a detail fragmentary sectional view showing a preferred throwing blade and wheel side plate connection according to this invention;

Fig. 13 is a side view of a throwing wheel side plate and throwing blades illustrating various features of the present invention;

Fig. 14 is an end view of a throwing wheel according to this invention.

Fig. 15 is a fragmentary sectional elevation through an abrasive throwing wheel assembly incorporating the present invention; and

Fig. 16 is a fragmentary sectional view, to an enlarged scale, of yet another form of throwing blade and side plate.

Briefly, the throwing blade 20 (see Figs. 1 to 4 and Fig. 10) has an inner body 21 with integral lateral rails 22, the inner body 21 having two identical throwing faces 23 which renders the throwing blade 20 suitable for use in a reversible (bi-directional) abrasive throwing wheel assembly.

At the inner end of each lateral rail 22 is a laterally-projecting protuberance 24 tapered to define a blunt nose 25.

The laterally-projecting protuberance 24 has formed therein a dovetail-shaped slot 26 in which is force fitted a polymeric or elastomeric sealing strip 27 which stands proud of the protuberance 24 both laterally and at its ends.

The sealing strips 27 assists in reducing abrasive wear on the side plates of a throwing wheel in which the throwing blade 20 is mounted and in the location and retention of the throwing blade 20 between the side plates during throwing wheel assembly.

In connection with these sealing strip 27 reference is made to our European (UK) Patent No. 0148775.

In accordance with the present invention each lateral rail 22 is formed with a V-groove 28 open to the side face of the throwing blade 20 and extending from the tip of the latter to the blunt nose 25 of protuberance 24.

These grooves 28 define female configurations which are used to locate and retain the throwing blade 20 in position between side plates of a throwing wheel.

Due to this grooving of the lateral rails 22 the transverse width W of each lateral rail 22 is greater than usual. For example, 10

millimetres as opposed to the usual 7 millimetres.

It is to be understood that the slots 26 and strips 27 may be omitted if desired.

Referring now to the throwing wheel (see Figs. 5 to 8 and Fig. 10) within which the aforesaid throwing blades 20 can be removably mounted, this comprises a pair of annular parallel side plates 29 joined together by spacers 29A, there being, between angularly-adjacent spacers 29A, throwing blade locating slots.

Each side plate 29 (see Figs. 5 and 6 especially) is, as aforesaid, of annular construction and is formed with a series of angularly-spaced, radial, throwing blade locating slots generally indicated at 30.

More specifically in accordance with the present invention each of these slots 30 is divided into two sub-slots 30A, 30B for part of the radial length of the slot 30 by a centrally disposed projection 30C extending from the outer circumference of the side plate 29 to a recess 31 at the inner end of the slot 29, which recess 31 defines a ledge 32 against which the nose 25 of a throwing blade rail 22 will abut.

The sub-slots 30A and 30B are of rectangular cross-section (see Fig. 7) as is the separating projection 30C.

In Fig. 8 the sub-slots 30A and 30B are wider than those of the side plate of Fig. 7 and the lateral faces 30D of each slot 30 remote from the projection 30C is inclined away from the latter and inwardly relative to the outer face of the side plate 29.

Also, in this construction of side plate the corners of the projection 30C are chamfered to provide bearing surfaces 30E.

In Fig. 9, the slot or groove 30 in the side plate 29 is a conventional simple slot as is currently usual in the side plates of throwing wheels. The configuration of the lateral rail 22 of the throwing blade 20 is shown to conform with that of Fig. 7 but it may equally conform to that of Fig. 8.

This blade 20 (Fig. 9) may be secured between the side plates by the conventional back fixing method well known to those well skilled in the art and in this instance the grooves 28 will, or may, extend the full length of the blade 20.

It is to be understood that all the slots or grooves 30 in the side plates 29 of a particular throwing wheel will be of the same

9 2086760

configuration, i.e. in accordance with Fig. 7 or Fig. 8 or Fig. 9 for example.

Referring again to Figs. 5 to 7 and Figs. 5, 6 and 8 it will be noted that in the latter case the overall width of the slots 30 are wider as a result of the inclined faces 30D and it is considered that these inclined faces 30D will assist in dispersal of abrasive from the slots 30 circumferentially as well as radially during throwing wheel assembly operation.

In both Figs. 7 and 8 it will be noted that location of a throwing blade 20 between side plates 29 is effected by the engagement of the projections 30C (male formations) on the side plates 29 within the slots 30 (female formations) on the throwing blade 20.

In the Fig. 7 configuration it will be seen that there is only point or line contact between the throwing blade 20 and projections 30C of the side plates 29 of the throwing wheel, which point or line contact is spaced axially from circumferentially spaced areas of radial contact between the side face of the throwing blade 20 and the bottoms of the grooves 30.

While there is limited face-to-face contact between the throwing blade 20 and the projections 30C of the side plate 29 of the throwing wheel in the Fig. 8 configuration, it will be noted that there is both circumferential and axial spacing between the throwing blade 20 and its adjacent side plate 29.

In the Fig. 9 configuration, while the rail 22 of the throwing blade 20 makes face contact with the side plate 29 on all three sides there is a major interruption in this contact as a result of the grooves 28 in the blade rails 22.

Due to the axial or axial and circumferential spacing between the throwing blade lateral rails and the side plates, all of these configurations assist in removal of worn throwing blades 20 from between the side plates 29 of a throwing wheel.

A comparison of the throwing blades of Figs. 7 and 8 shows that the side plate adjacent face of the lateral rail 22 of the latter presents a lesser area of rail contact to the side plate 29 than the former. This is due to the different contact configurations between the throwing blade rails 22 and the projections 30C of the grooves 30 of the side plates 29.

Reference is now made to FIGS. 11 to 14 which show a preferred throwing blade construction and throwing blade and side plate connection according to this invention.

The throwing blade 40 has a body 41 defining identical throwing faces 42 bounded by two lateral rails 43 of greater depth than the body 41.

Each lateral rail 43 is formed with a V-groove 44 extending from the tip 41A of the blade 40 for a major part of its length to a location 45 where the rail 43 is left full, up to the tip 41B of the blade 40 for a minor part of its length.

The groove 44, therefore, is arrested at 45 to define a securing formation.

A synthetic polymeric or elastomeric insert 46 is secured in any convenient manner within each groove 44 towards the bottom thereof, i.e. it does not fill the groove 44, and is spaced as indicated at 47 from the blade securing formation 45.

These inserts 46 serve primarily to assist in blade retention between the side plates of a throwing wheel during assembly and act secondarily as abrasive flow barriers during use of the throwing wheel.

The inserts 46 may be omitted or alternatively may be provided on one side only of the throwing blade 40.

Throwing blades 40 in accordance with FIG. 11 may be produced by forming, in any convenient manner, a length of blade strip with the grooves 44 extending the full length of the strip, cutting the strip into the desired throwing blade lengths and thereafter, at one end, welding, tapping or otherwise securing within the grooves 44 inserts to provide the blade securing formation 45, or even simply depositing weld material in the grooves 44 at said ends to provide the necessary abutment surfaces. The abutment surfaces 45 can be provided in the grooves 44 in any convenient fashion.

It is to be understood that an abutment surface 45 can be provided in only one groove 44 of a throwing blade 40 if desired.

It is also to be understood that the abutment surface or surfaces can be omitted if the throwing blades are to be back fixed or side fixed in conventional manner as is well known to those skilled in the art.

Reference is now made particularly to FIG. 12 in which 50

WO 92/00835

2086760

PCT/GB91/01075

11

indicates a throwing wheel side plate with a preferred form of slots 51 (only one shown).

The slot 51 viewed from the circumference of the side plate 50 has a flat base 52 bounded by two diverging inclined side walls 53.

A locating projection 54 is provided centrally of the slot 51 and is of triangular configuration with a narrow flat top in cross-section.

The following dimensions are given solely as examples and are in no way to be considered restrictive.

The angle a defined by the side walls of the projection 54 is equal to 90° while the angle b subtended by the side walls of the groove 44 is equal to 100° .

Consequently the blade rail 43 makes only line or point contact with the projection 54 at two angularly spaced locations, the remaining adjacent surfaces of the blade rail 43 and the projection 54 being in spatial relationship.

The angular width of the slot 51 at its widest part A is three times the thickness B of the throwing blade rail 43 and at its narrowest part C is two and one half times thickness B.

There is thus a substantial clearance between the lateral walls 53 of the slot 51 and the respective front or back face 43A, 43B of the lateral rail 43 of the throwing blade 40 and even greater spacing between each inclined face of the projection 54 and the adjacent inclined face 53 of the slot 51, the central projection 54 and the inclined side walls 53 defining, as has previously been mentioned parallel sub-slots 51A.

It can thus be seen from the above that the possibility of the abrasive catchment or trapping between the throwing blades and the side plates is substantially reduced when compared with existing throwing wheels of this general character, i.e. two side plates with replaceable throwing blades, so that blade removal is facilitated to a considerable extent.

Another important advantage of the throwing blade and side plate slot configuration of Fig. 12 is reduction in wear on the side plate 50, especially at its outer circumference or rim, thus increasing the working life of the throwing wheel.

It is well known to those skilled in the art that with known conventional throwing wheels the abrasive or short, during operation,

WO 92/00835

2086760

PCT/GB91/01075

12

accelerates up narrow radial gaps between the walls of the radial slots and the side rails or edges of the throwing blade located in these slots and, on reaching the rim of the side plates, the high velocity abrasive or shot sweeps along the rims of the side plates and subjects same to considerable and sometimes very rapid wear. The side plates often become knife-edged at their rims and the throwing wheel requires to be replaced. The reason for this rim wearing action of the high velocity abrasive or shot is not fully understood but is a well established fact.

Viewing Fig. 12, it will be manifest that, due to the radial slot configuration (wide with inclined side walls) no abrasive or shot constraining narrow gaps are present between the inclined walls of the slot and the side rails or edges of the blade. This situation would equally apply if the walls 53 were vertical and spaced sufficiently away from the lateral rail 43 of a blade 40.

Consequently there is no build up of radially directed and confined abrasive or shot velocity, the abrasive or shot dispersing both angularly and radially in a free, non-confined manner due to centrifugal force during throwing wheel assembly rotation with resulting substantially less side plate wear and therefore increased working life of the throwing wheel.

Reference is now made particularly to Figs. 13 and 14 which show a throwing wheel 60 (see Fig. 14) constituted by two parallel side plates 50, 50A joined, in conventional manner, by spacers 61.

The side plates 50, 50A are formed with registering slots 51 as described with reference to Fig. 12 in which a fitted throwing blade 40 as described with reference to Fig. 11.

Firstly, it is to be noted that the central projection 54 may be of continuous length as exemplified at location X or it may be interrupted or discontinuous as indicated at location Y.

A throwing blade 40A of a length sufficient to pass through the central hole 55 of one of the side plates 50 can, as indicated by arrows, be slid into the slots 51 until the securing locations 45 about the inner ends of the projections 54 which are received in the grooves 44.

If it is desired to employ throwing blades 40B of a length greater than the diameter of the central hole 55 this can be done by

WO 92/00835

2086760

PCT/GB91/01075

13

sliding the blade 40B down a sub-slot 51A then aligning the grooves 44 with the central projections 54 and then pulling the blade 40B back out until the securing formations 45 abut the ends of the central projections 54. The width of the sub-slots 51A permits such a manoeuvre.

As a result of the present invention and by suitably dimensioning the blade locating projections it is possible for a given size (external diameter) of throwing wheel to employ throwing blades of different lengths, the throwing blades, as aforesaid, being insertable between the side plates either through the centre of the side plates or from the outside rim of the side plates depending on throwing blade length, the sub-slots being used for such outside insertion.

The throwing blades of a given throwing wheel will usually be the same length.

Referring to Fig 15 it can be seen that the throwing blades 20 (40) as hereinbefore described in the throwing wheel assembly are retained in position between the side plates 29 (50) as hereinbefore described after central or external insertion by the control cage 33 and the integral centering plate 34 and vane-type impellor 35 which is removably secured to a wheel hub 36 bolted to one of the side plates 29 and secured to a motor shaft 37.

It is to be understood that the grooves 28 (44) in the lateral rails or edges 22 (43) of a throwing blade 20 (40) may extend the full length thereof and in this instance the slots 30 (51) in the side plates 29 (50) may also extend the full radial distance between inner and outer diameters of the side plate 29 (50).

With such a configuration of throwing blade and side plate, the throwing blade may, for example, be back-fixed through a spacer of the throwing wheel, or side-fixed through a side plate as is well-known to those skilled in the art.

Fig. 16 shows a possible further construction of throwing wheel in which the side plates 29 are not formed internally with throwing blade locating slots 30 but only with inwardly projecting ribs 38 equivalent to projections 30C (54), the throwing blades 20 (40) being grooved in their lateral rails or edges 22 (43) as described, thus providing the reduced inter-facial contact, male/female connection

WO 92/00835

2086760

PCT/GB91/01075

14

between side plate/throwing blade which is the characteristic feature of the present invention.

The ribs 38 may be integral with or separate and attached to the side plates.

According to a seventh aspect of the present invention, therefore, there is provided an abrasive throwing wheel assembly comprising a throwing wheel having annular side plates with registering inwardly-directed projections provided thereon for mounting throwing blades formed with a lateral rail or edge of grooved or recessed configuration within which a projection can be located.

This aspect of the present invention also extends to a side plate for a throwing wheel having integral or separate but attached projecting ribs only (no slots or grooves) on its throwing blade mounting face.

CLAIMS:

1. An abrasive throwing wheel assembly comprising a throwing wheel consisting of a pair of parallel annular side plates having an inner diameter joined by angularly-spaced spacers, a plurality of throwing blades having an outer tip and a radial inner end and lateral edges located between the side plates, and cooperating securing formations located at or adjacent the inner diameter of the side plates and the radially inner ends of each throwing blade lateral edges which resist or prevent radially outward movement of the throwing blade relative to the side plates;

wherein each of said side plates comprises a plurality of angularly-spaced, radially-extending throwing blade locating projections, and each of said throwing blade lateral edges is provided with a longitudinal groove extending inwardly from said outer tip but terminating short of said radial inner end, wherein said projections and grooves are configured so as to provide axial spacing therebetween relative to the axis of rotation of said throwing wheel assembly, and define a radial clearance passage therebetween.

2. An assembly as claimed in claim, 1 wherein each blade includes a body defining opposed identical throwing faces between the lateral edges.

3. An assembly as claimed in claim 1 or claim 2, wherein at least one of the blade grooves terminates in a blade securing formation that cooperates with a respective cooperating receiving formation on a respective side plate so as to resist radial outward movement of the throwing blade relative to the throwing wheel.

4. An assembly as claimed in claim 3, wherein the blade securing formation lies within the lateral edge of the blade.

5. An assembly as claimed in claim 3 wherein the blade securing formation extends laterally beyond lateral edge of the blade.

6. An assembly as claimed claim 3, wherein each blade securing formation is adjacent to the radial inner end of the respective blade.

7. An assembly as claimed of claim 3, wherein the blade securing formation mounts a synthetic polymeric or elastomeric strip standing laterally proud of the securing formation.

8. An assembly as claimed in any one of claims 1 to 7, wherein a synthetic polymeric or elastomeric insert is disposed in the bottom of the groove spaced from the securing formation.

9. An assembly as claimed in any one of claims 1 to 8, wherein the groove is of a V configuration.

10. An assembly as claimed in any one of claims 1 to 8, wherein the groove is of a U configuration.

11. An assembly as claimed in any one of claims 1 to 8, wherein the groove is of a rectangular configuration.

12. An assembly as claimed in claim 1 wherein each said locating projection is accommodated in a slot extending radially inwards from the outer diameter of the side plate.

13. An assembly as claimed in claim 12, wherein slots of each wheel side plate are each divided or partitioned for at least part of the radial length thereof by the respective throwing blade locating

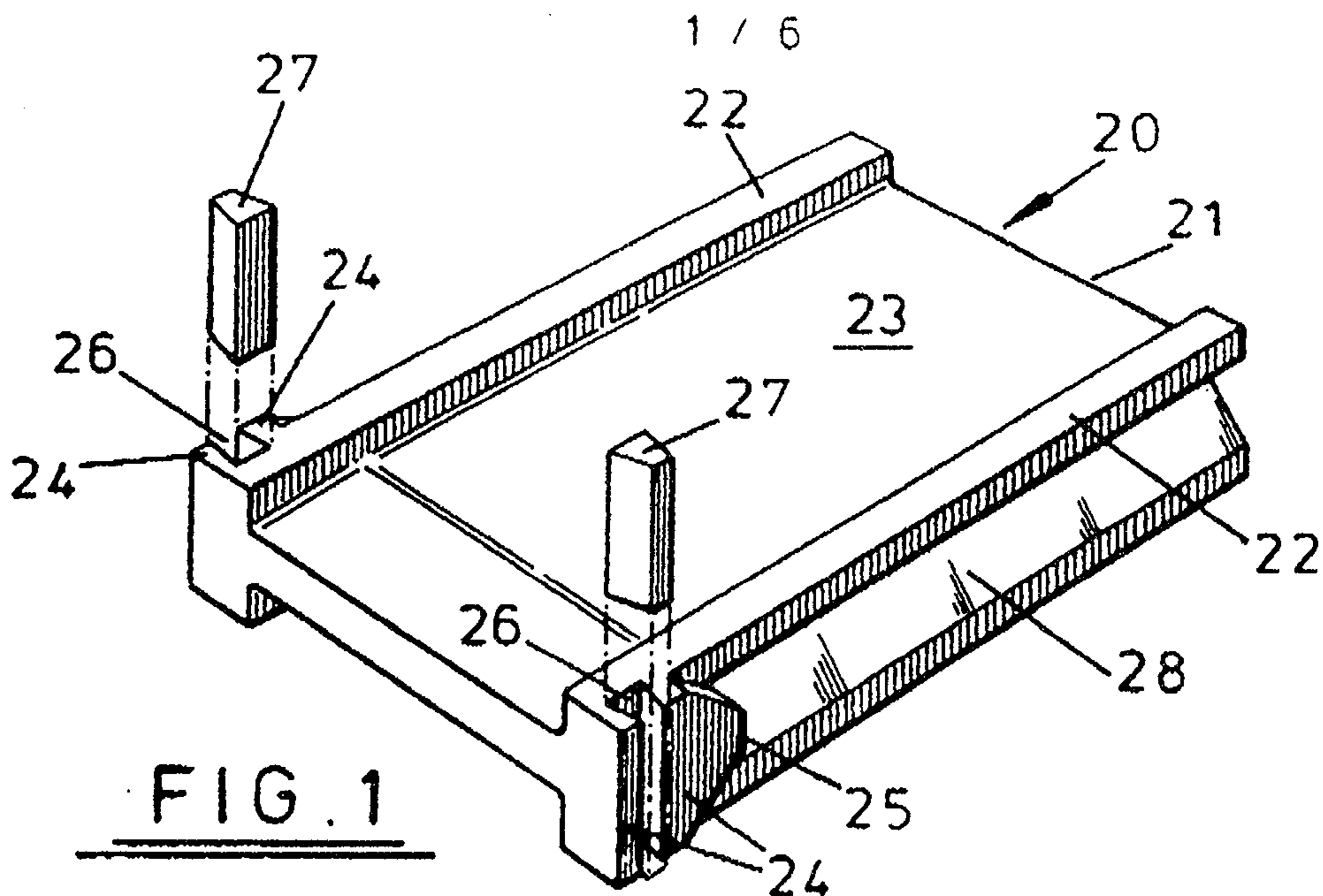


FIG. 1

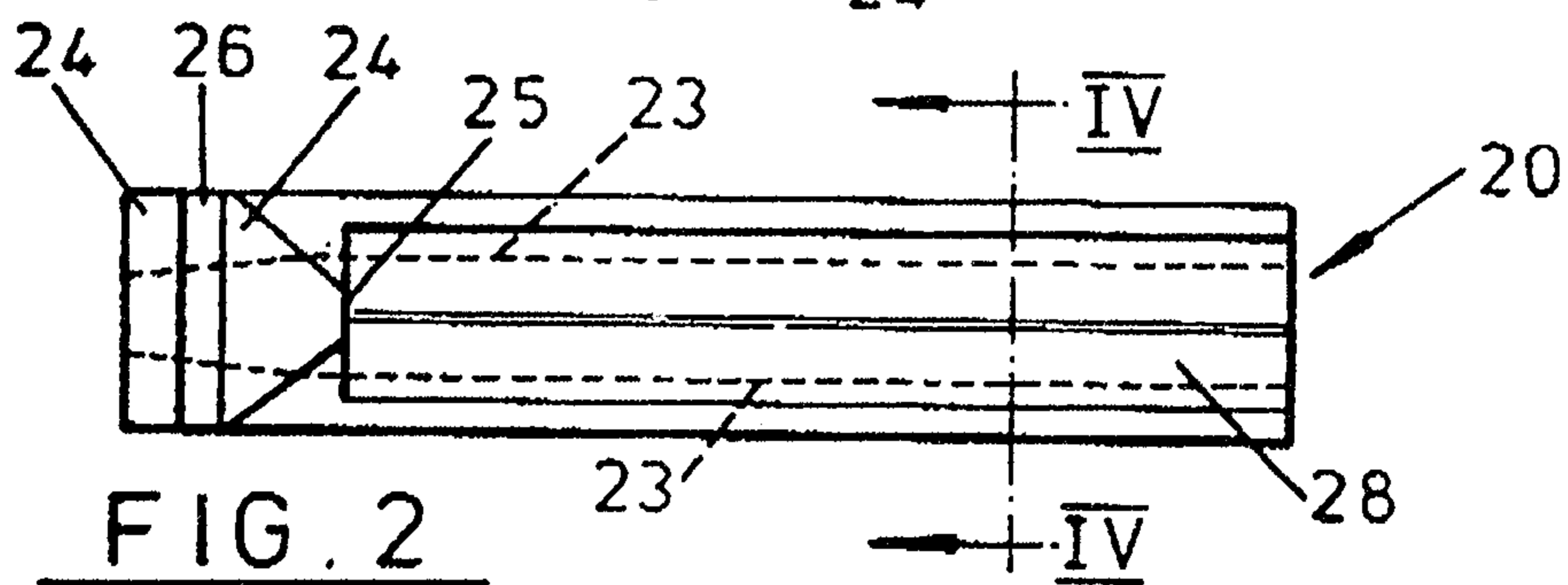


FIG. 2

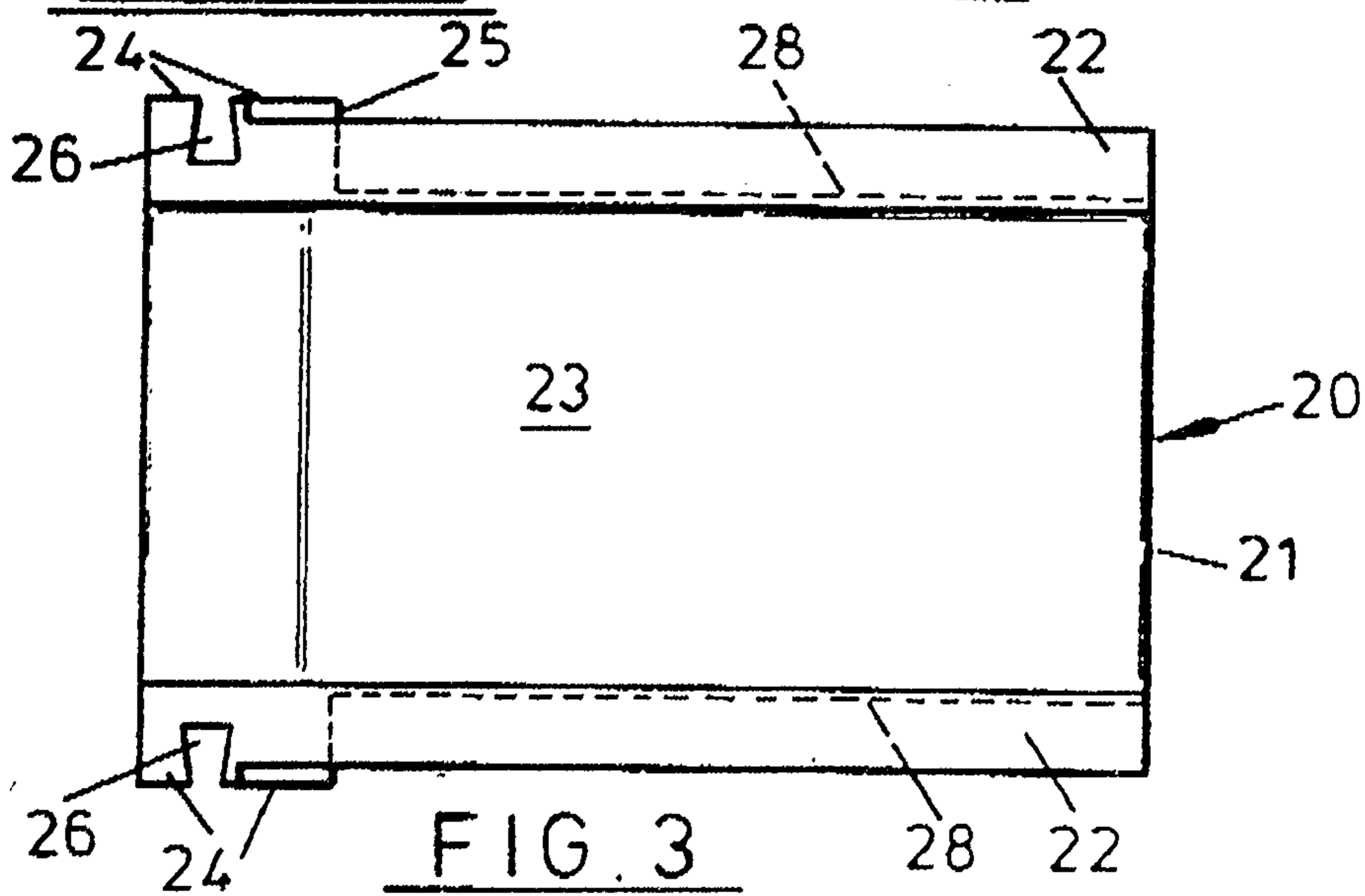


FIG. 3

Marks & Clerk

2 / 6

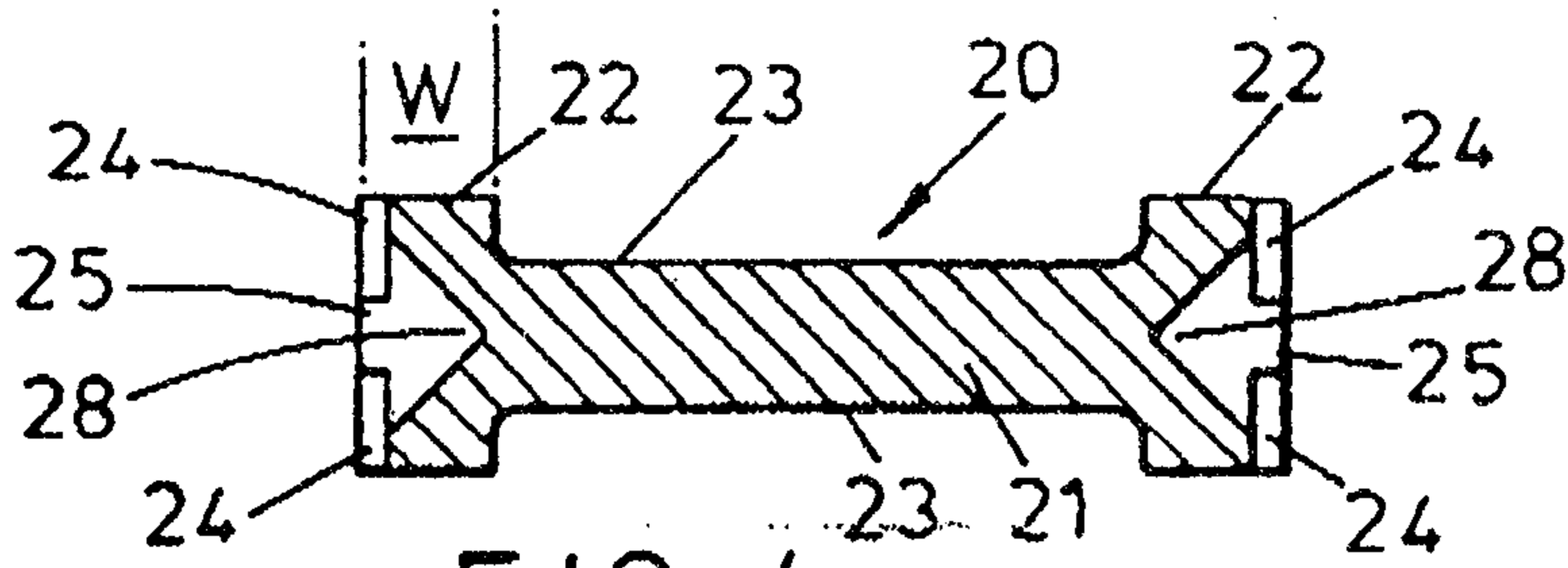


FIG. 4

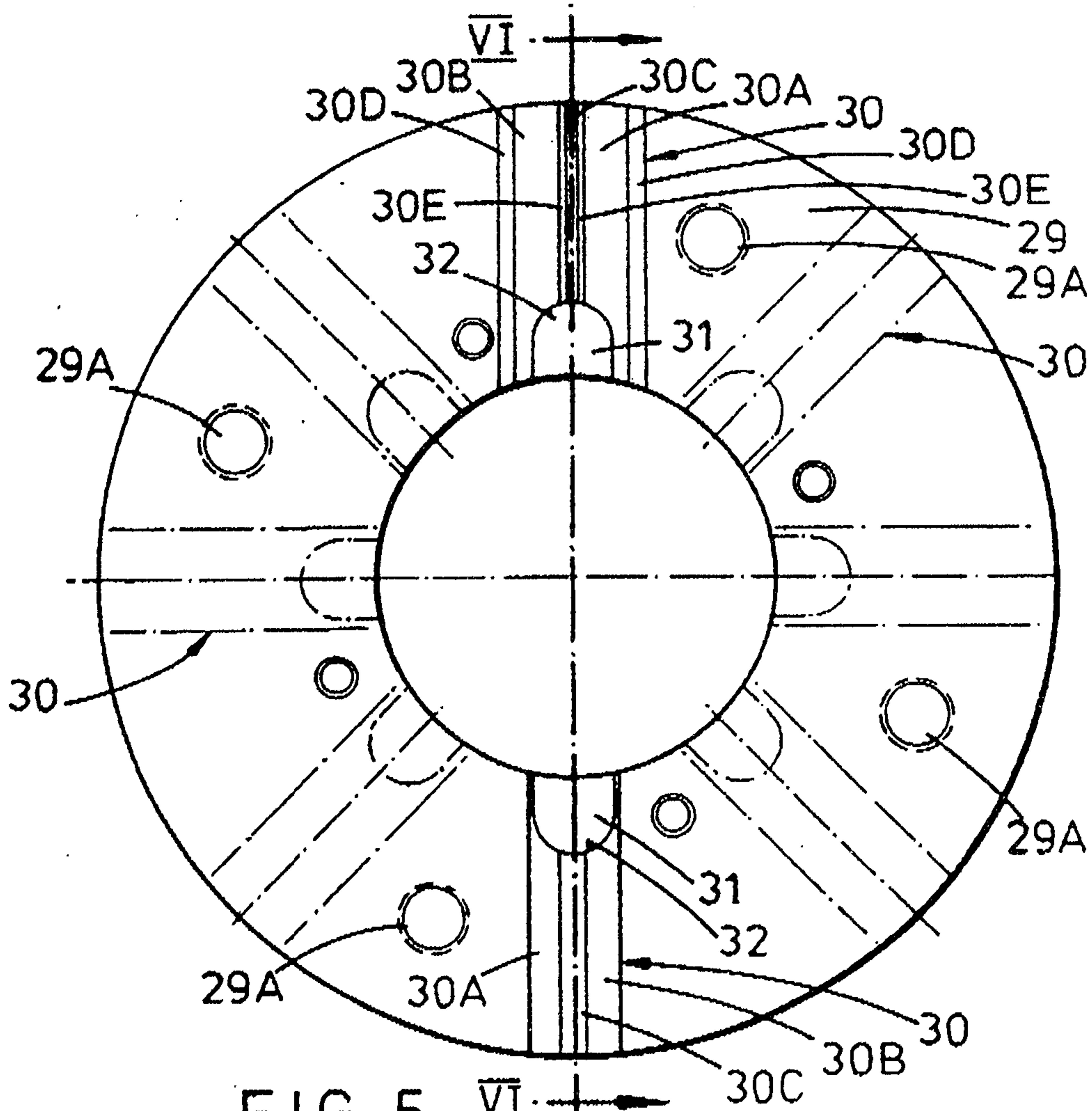


FIG. 5 VI

Marks & Clark

WO 92/00835

2086760

PCT/GB91/01075

3 / 6

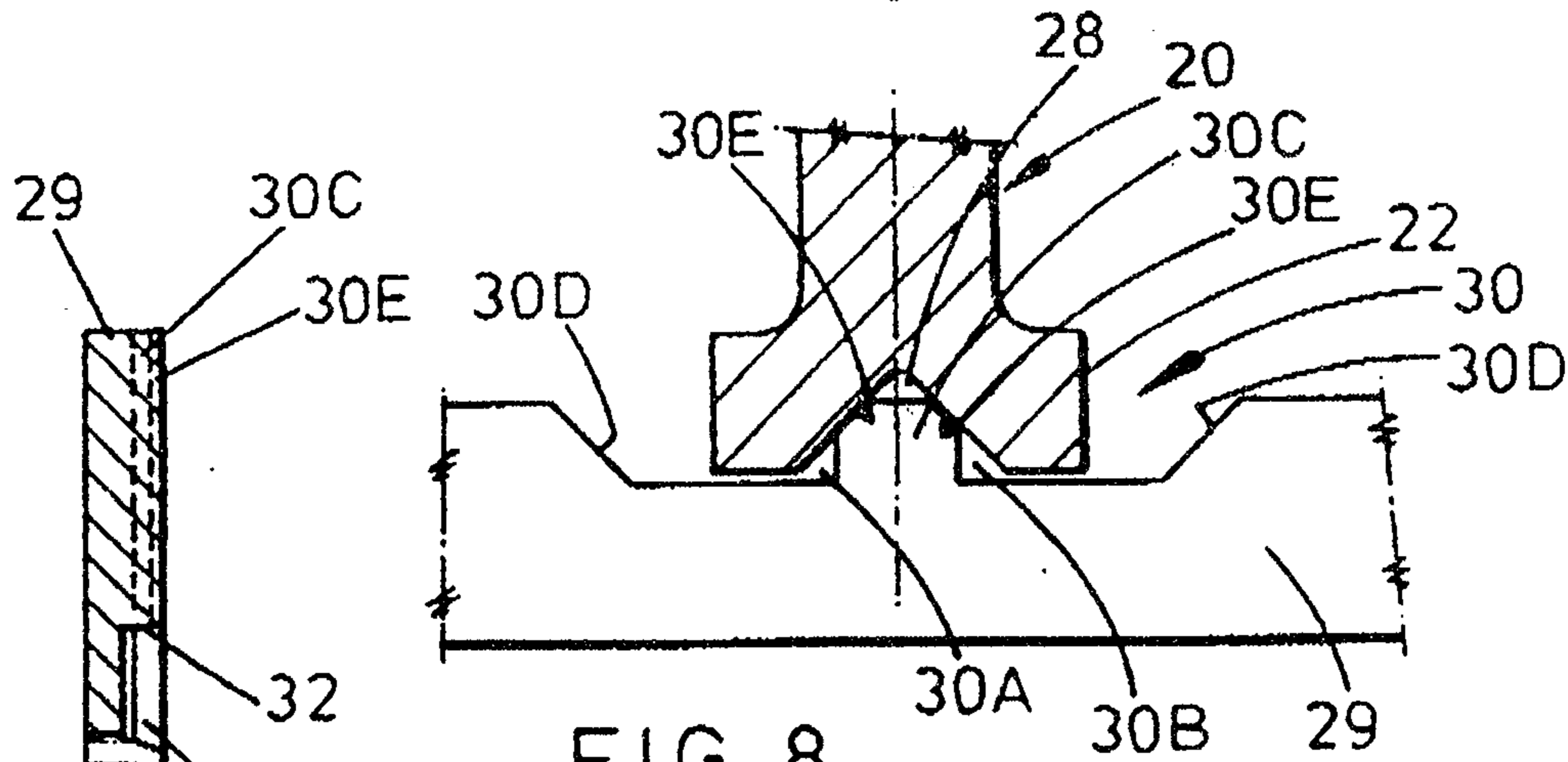


FIG. 6

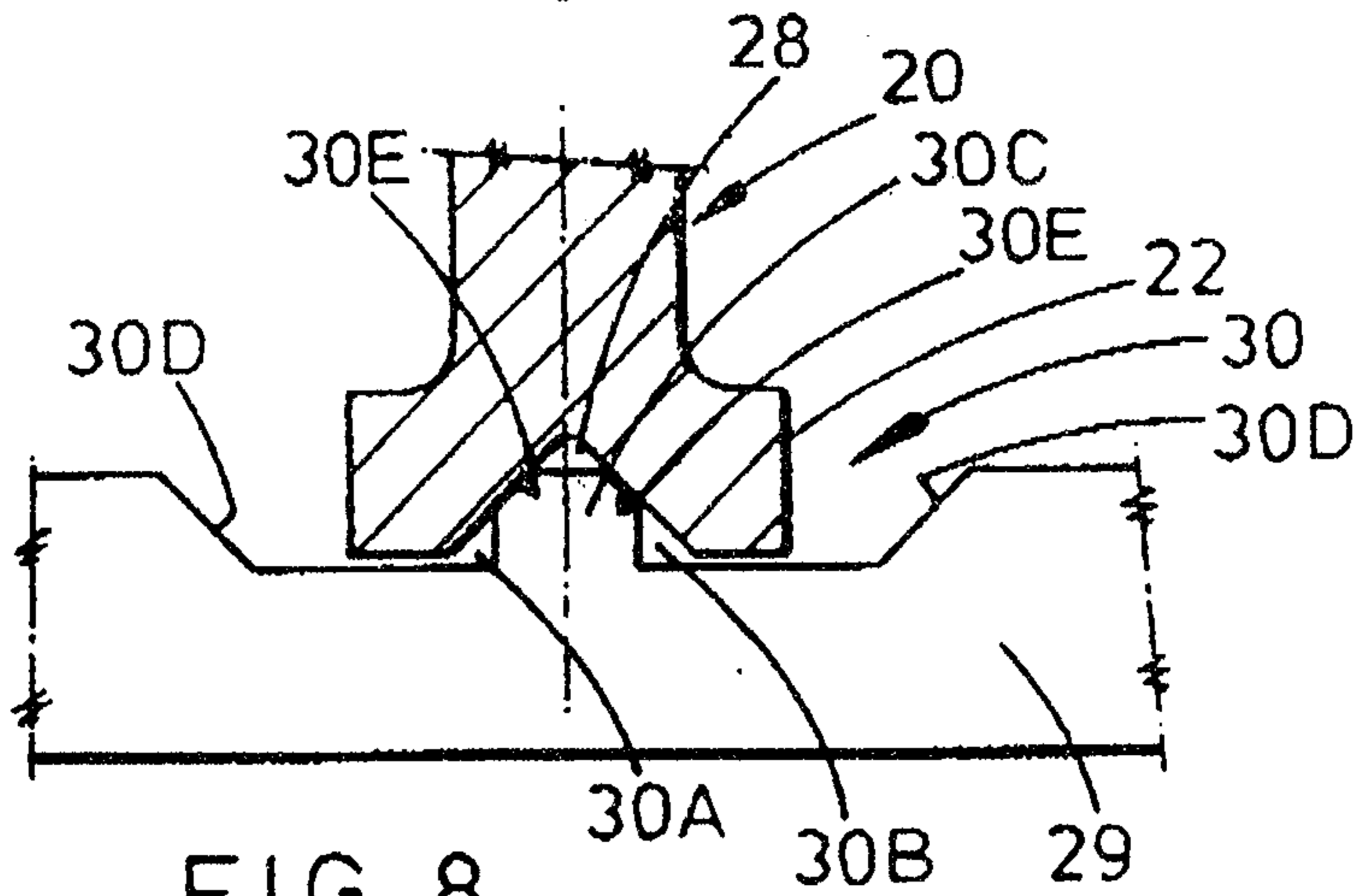


FIG. 7

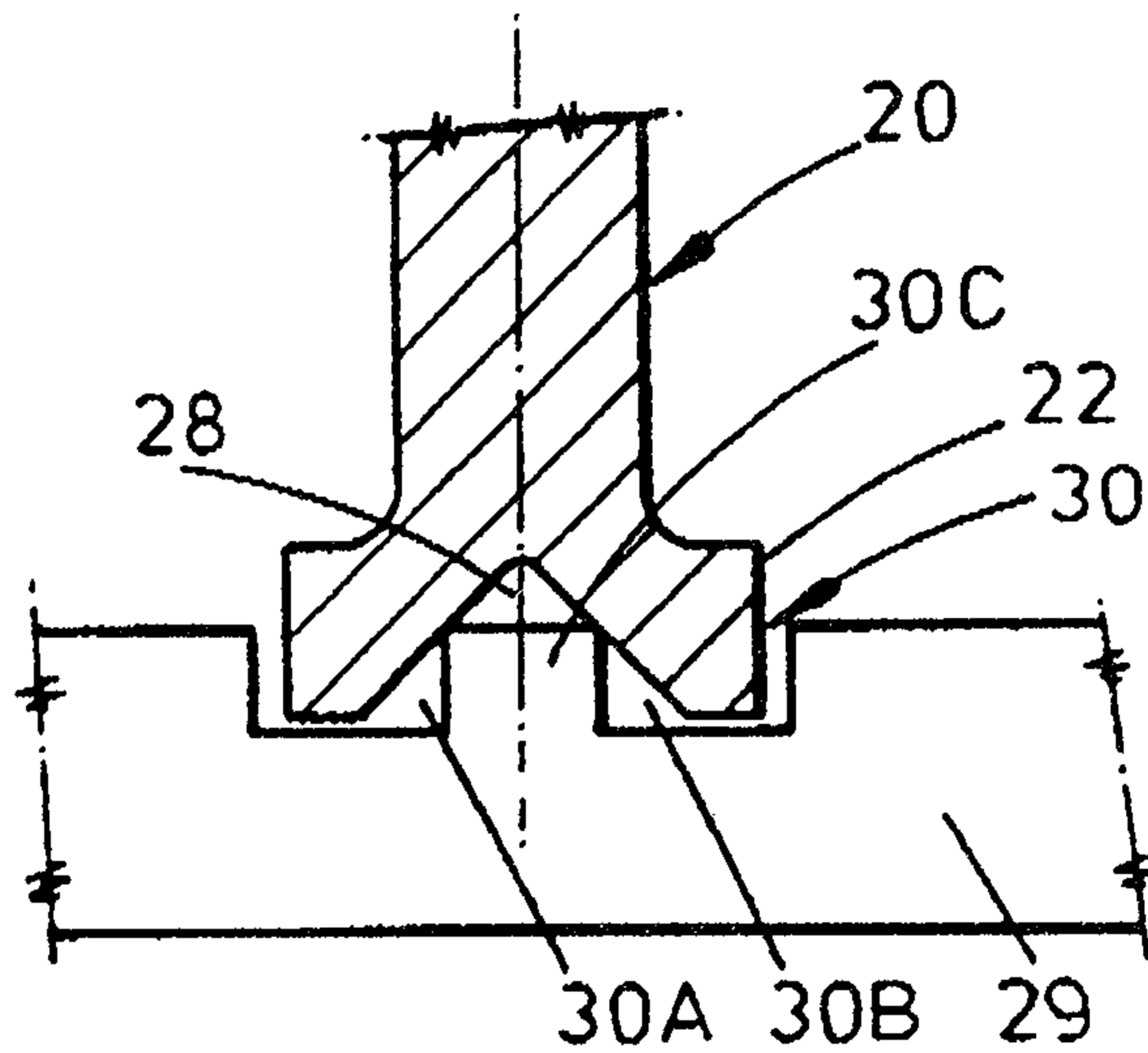


FIG. 8

Handwritten signature

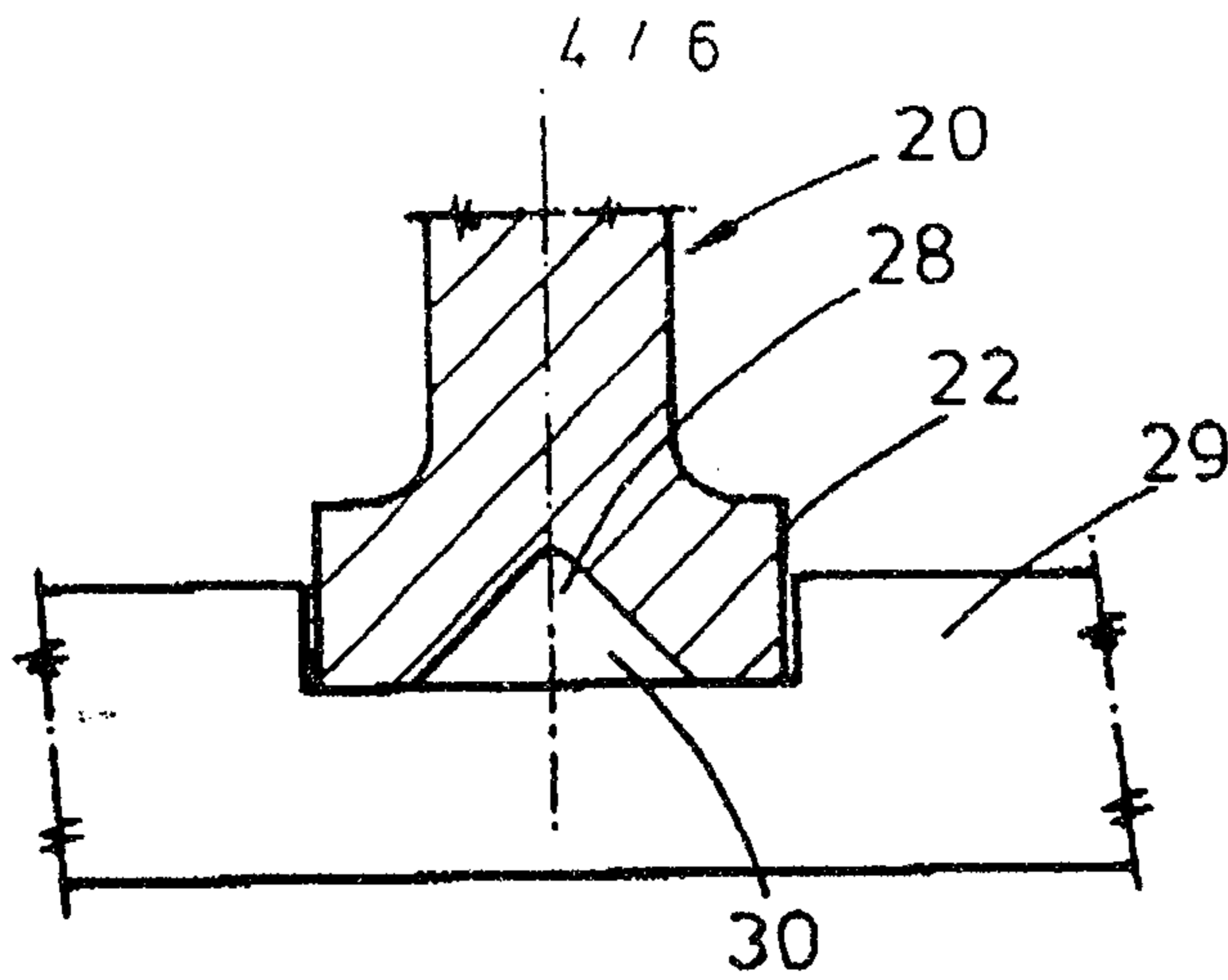


FIG. 9

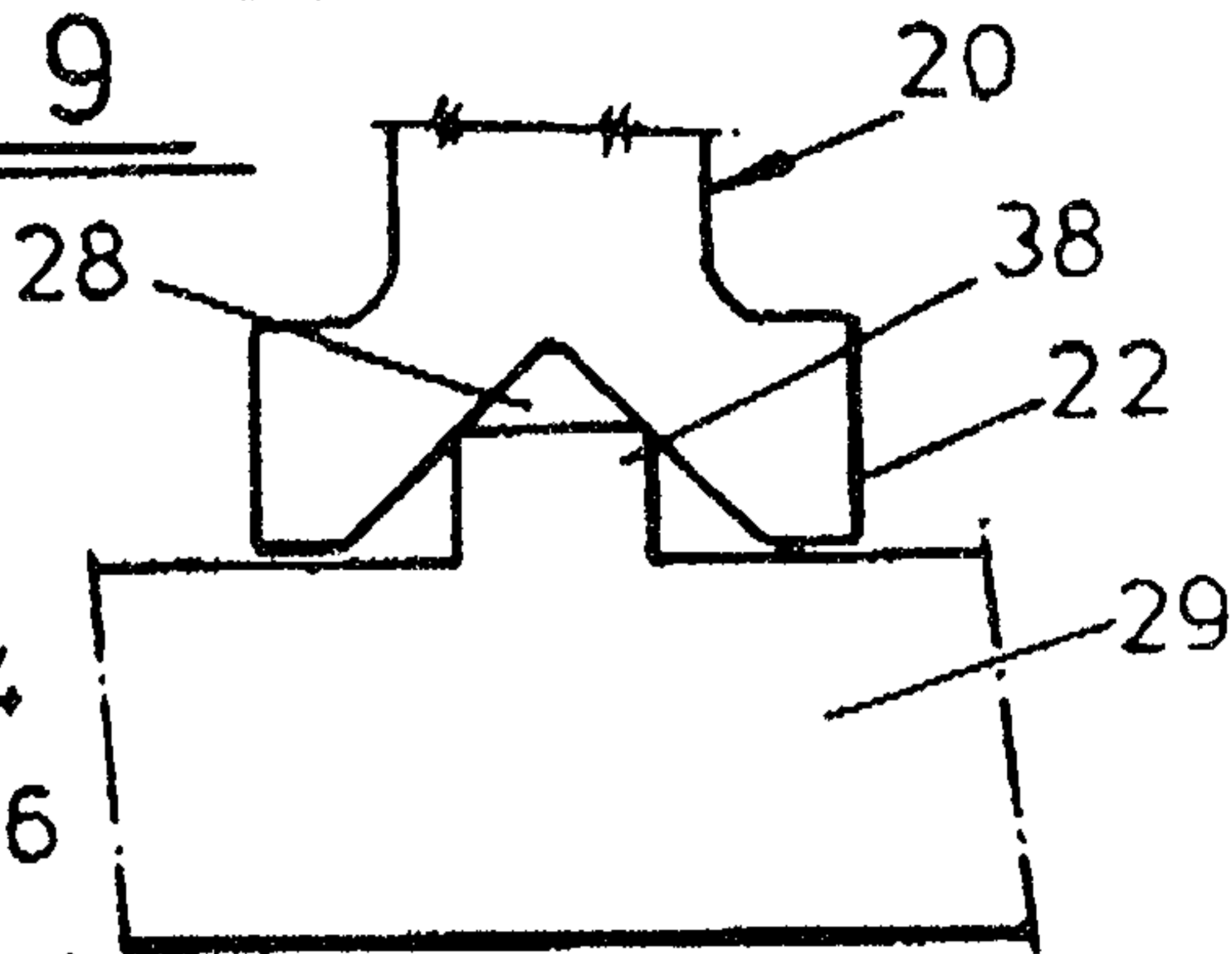


FIG. 16

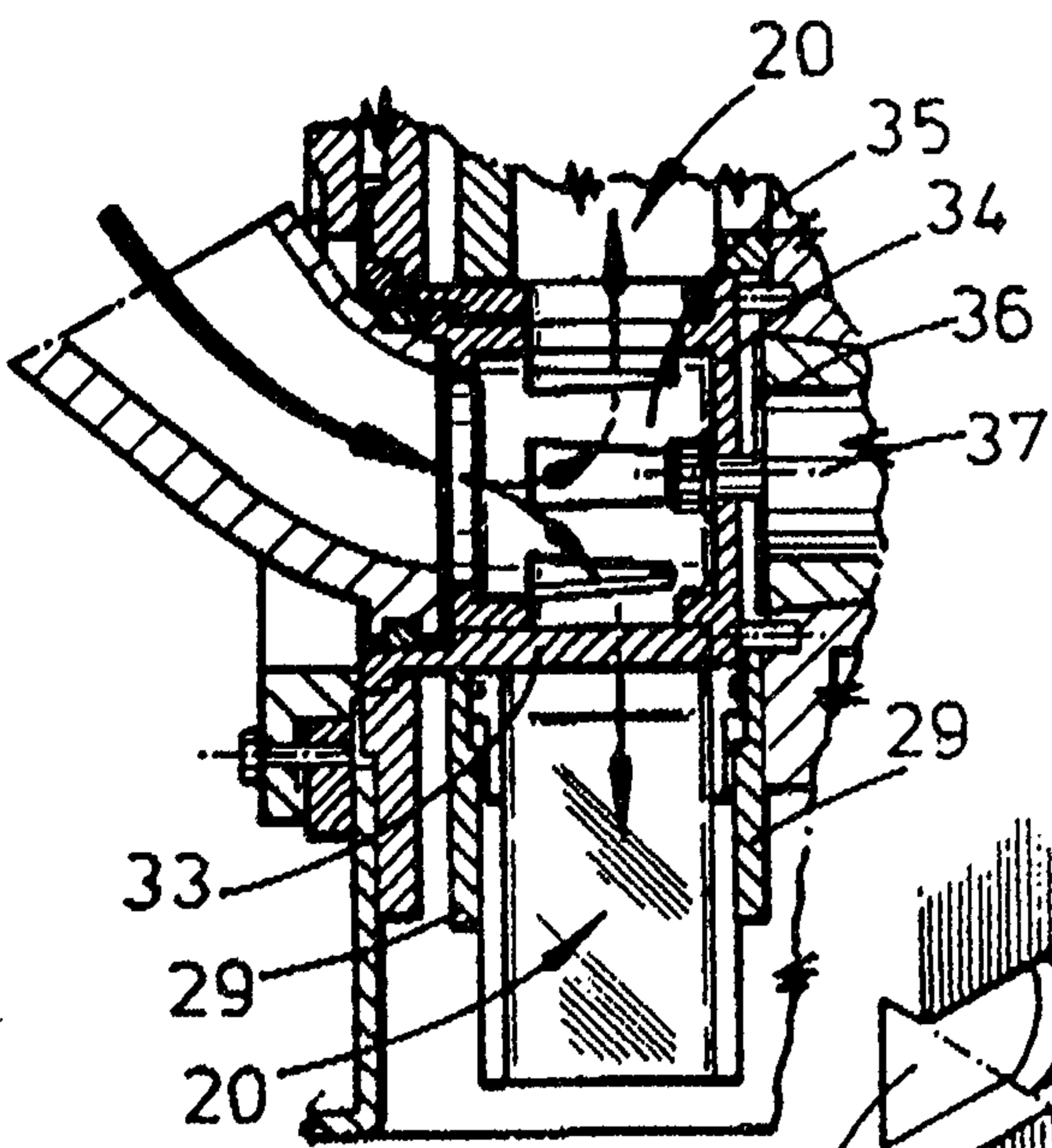


FIG. 15

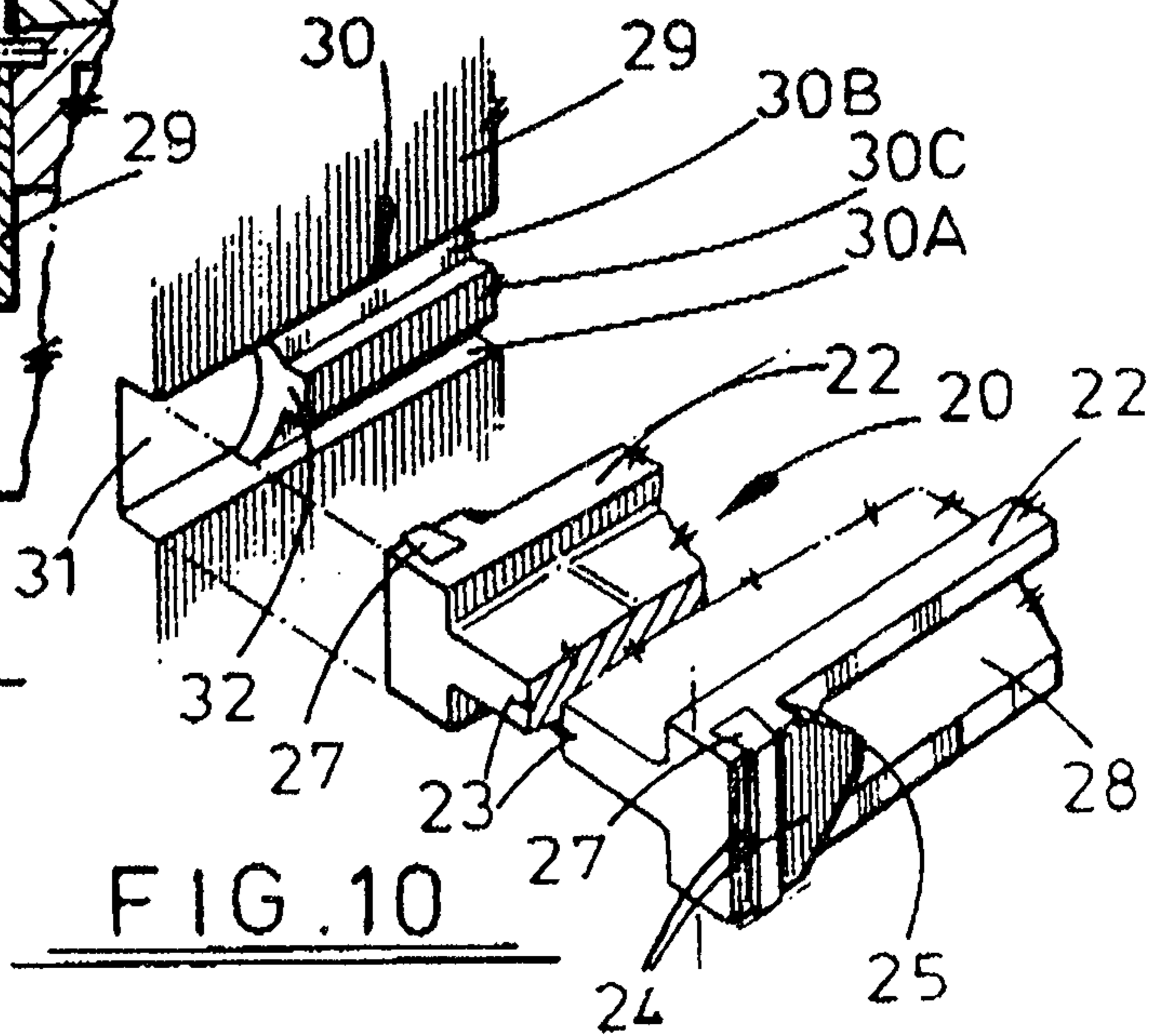
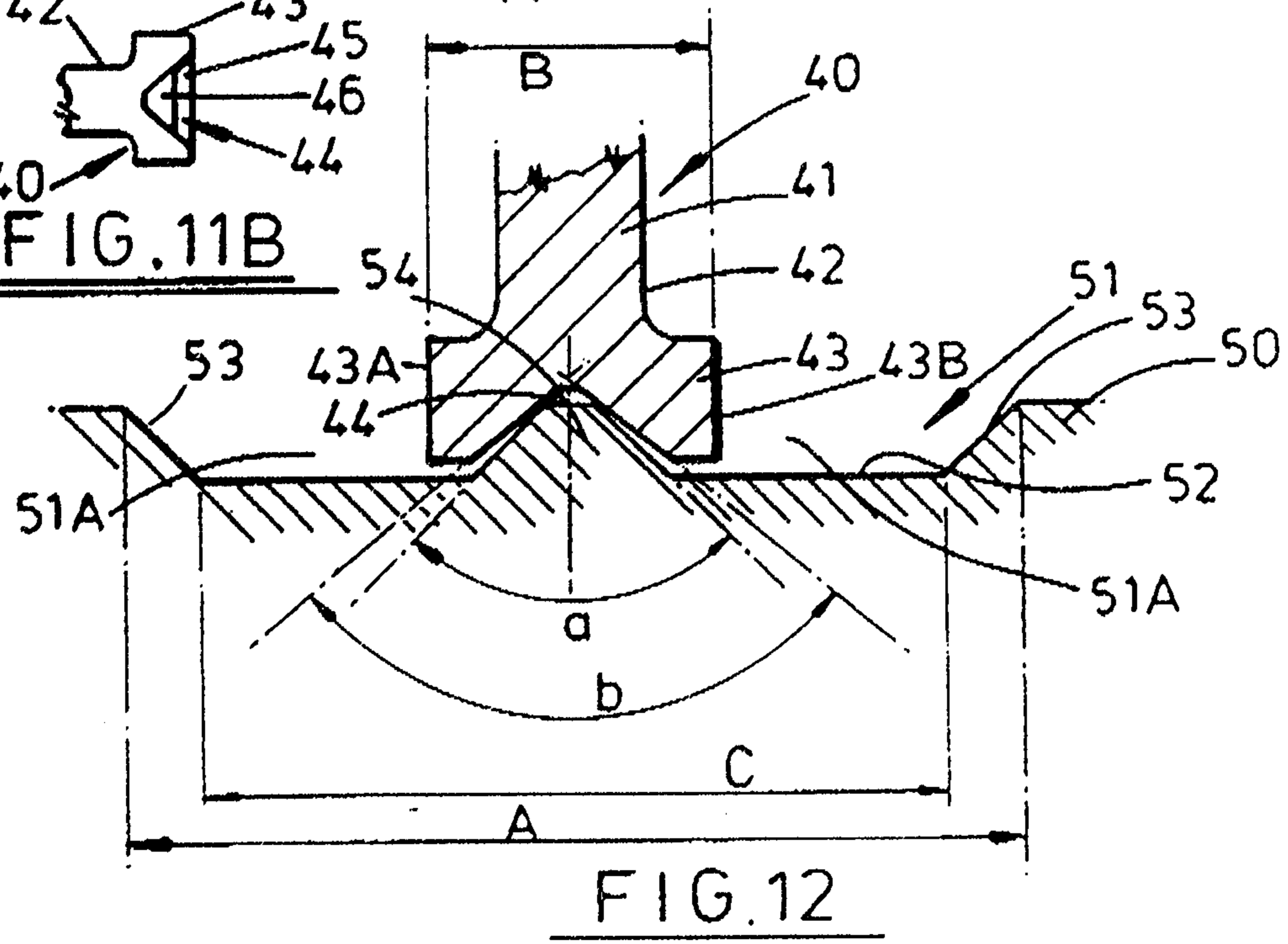
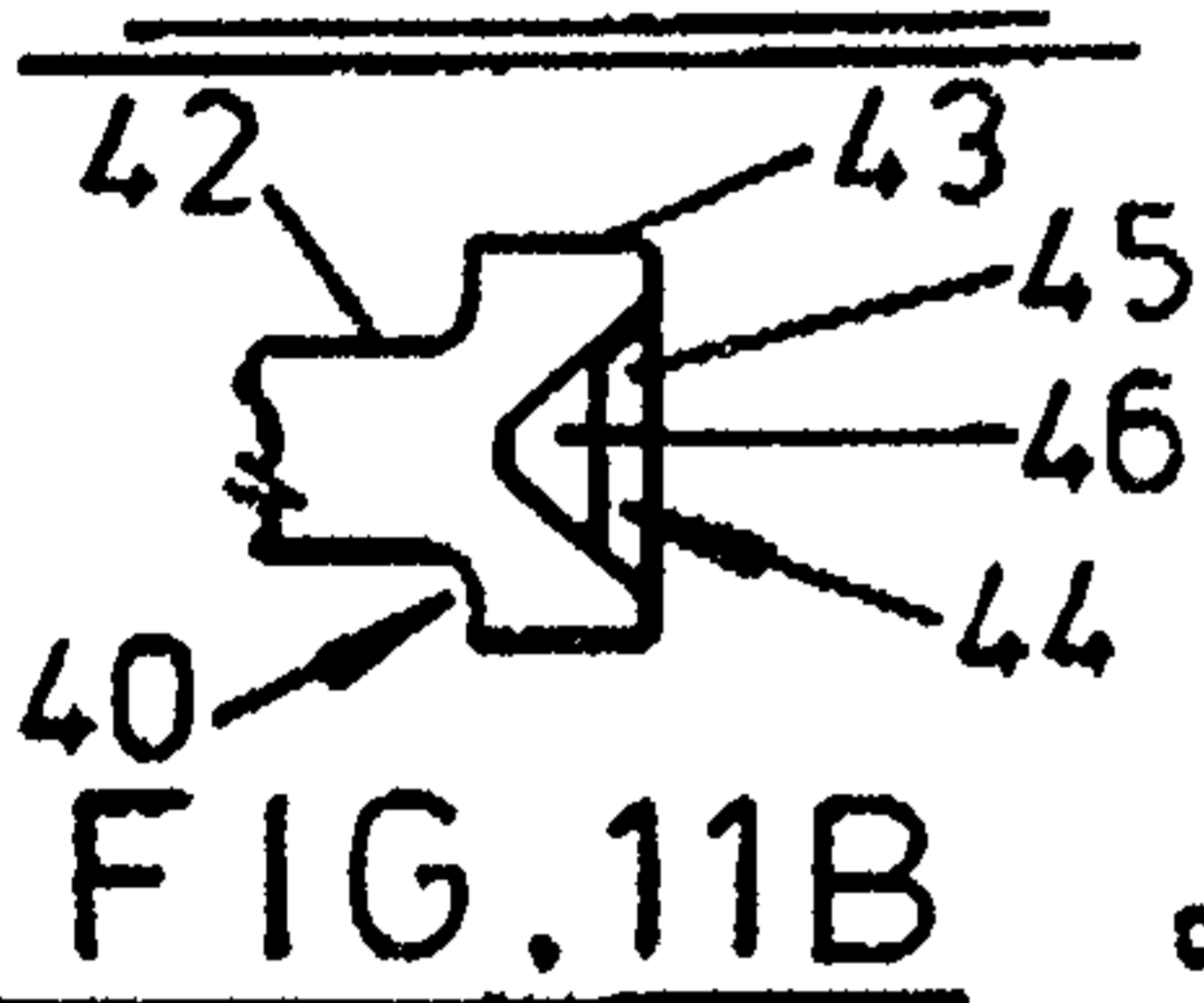
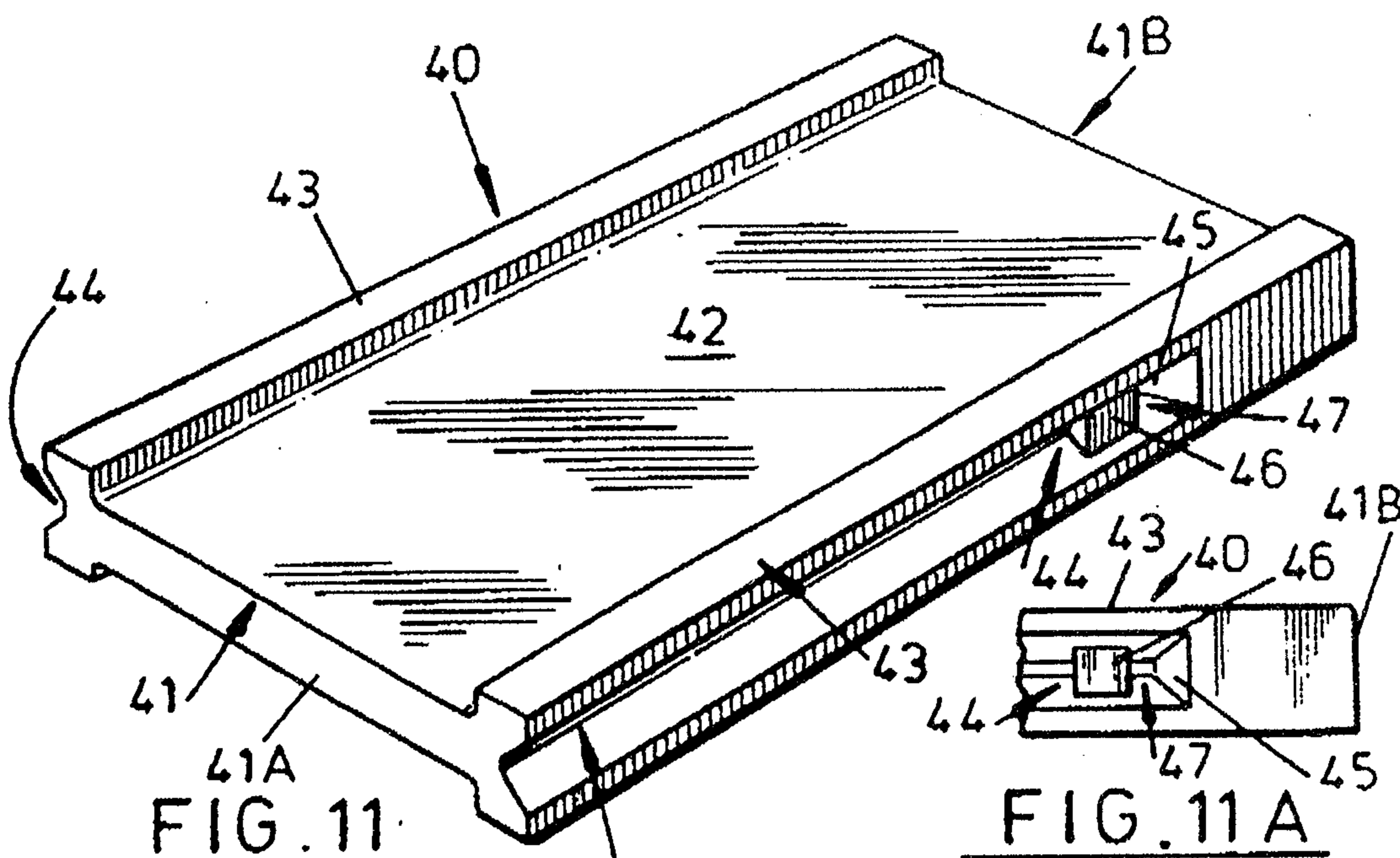
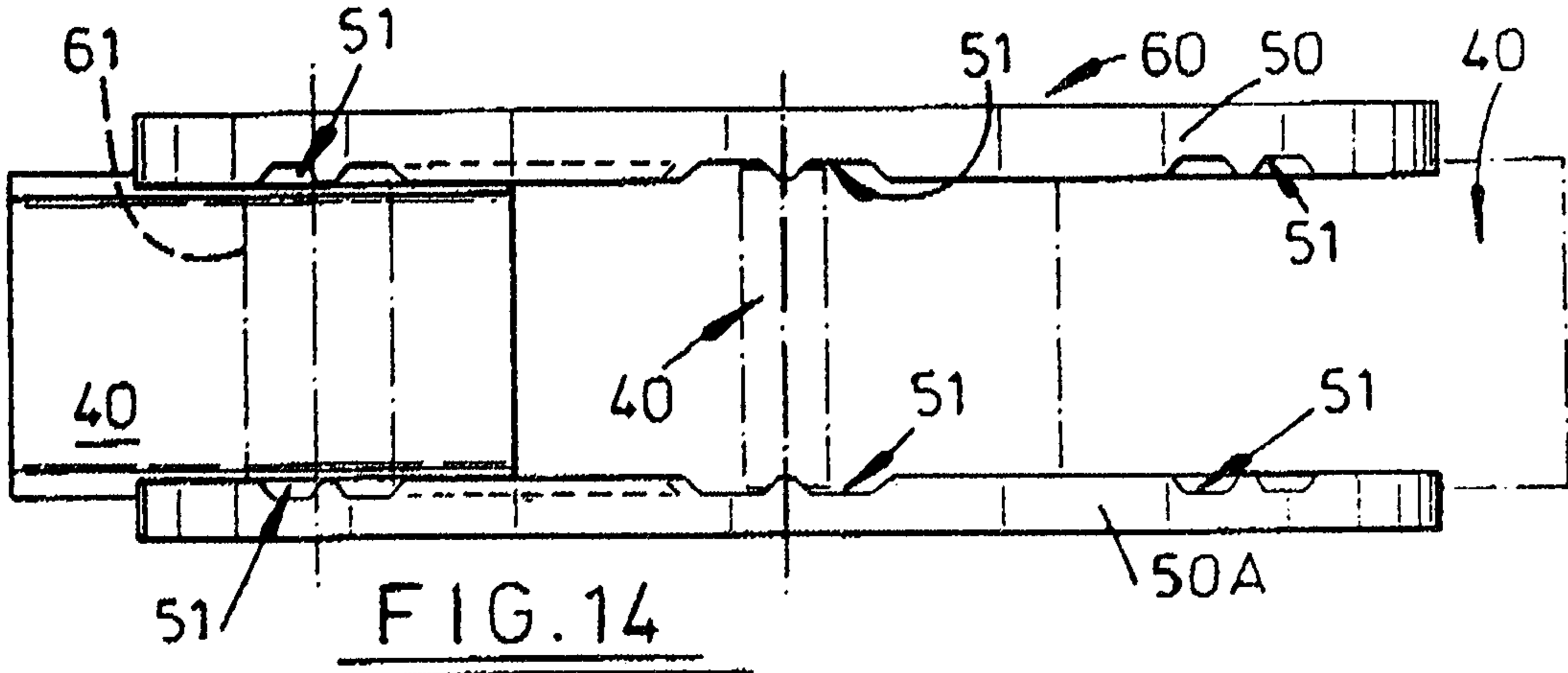
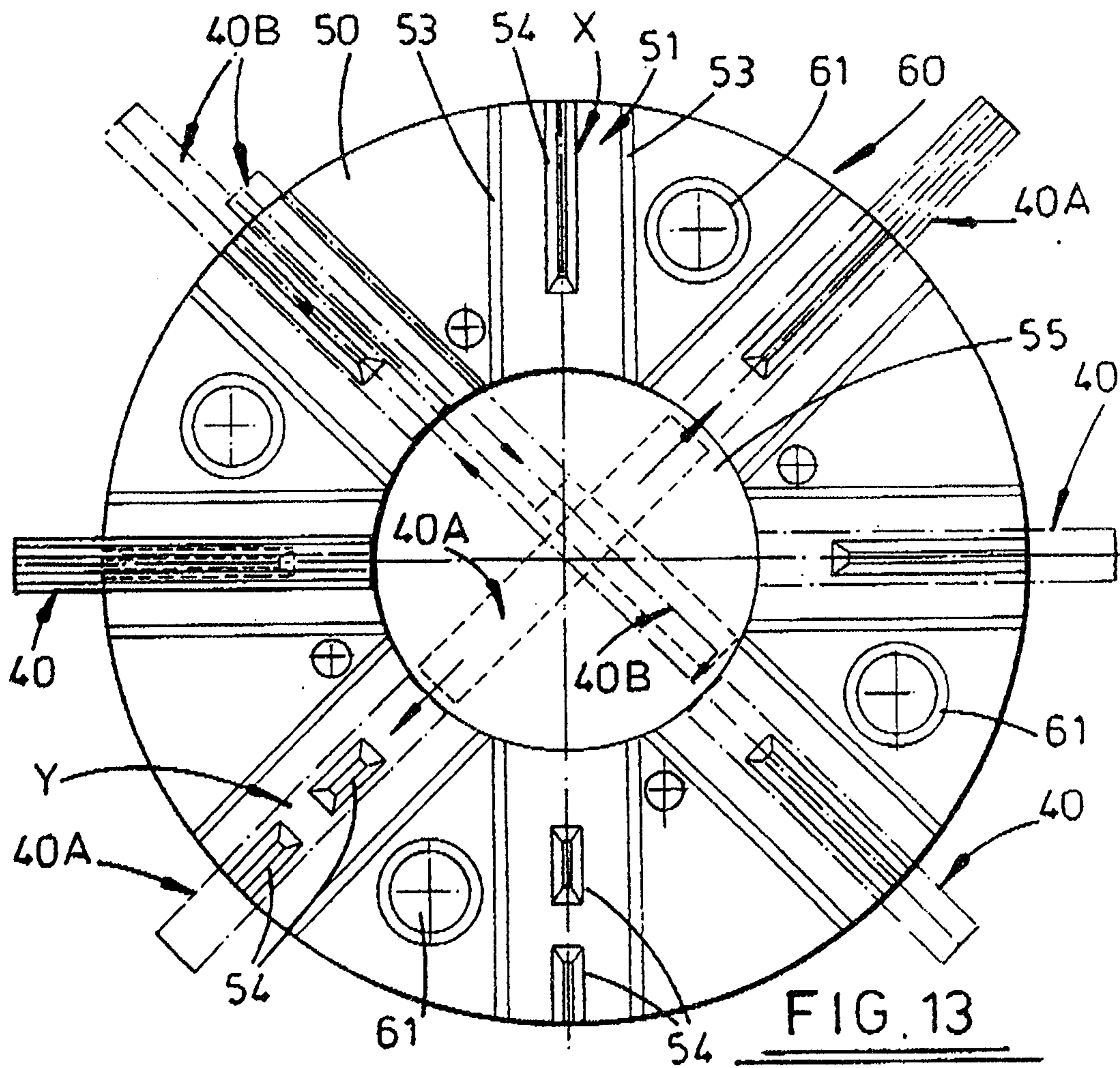


FIG. 10

Marks & Clark



Marks & Clerk



Marks & Clerk

