



US00D543473S

(12) **United States Design Patent**
Bhavnani

(10) **Patent No.:** **US D543,473 S**

(45) **Date of Patent:** **** May 29, 2007**

(54) **OVAL CLOCK**

(75) Inventor: **Dilip Bhavnani**, Beverly Hills, CA
(US)

(73) Assignee: **Sun Coast Merchandise Corporation**,
Commerce, CA (US)

(**) Term: **14 Years**

(21) Appl. No.: **29/246,890**

(22) Filed: **May 18, 2006**

(51) **LOC (8) Cl.** **10-01**

(52) **U.S. Cl.** **D10/23**

(58) **Field of Classification Search** D10/1-29;
368/276-278, 285, 316, 317, 179, 28-30,
368/82-84, 239-242, 223, 226, 243

See application file for complete search history.

(56) **References Cited**

U.S. PATENT DOCUMENTS

D1,966 S *	6/1864	Dunn	D10/28
D50,988 S *	7/1917	Hoche	D10/2
1,420,549 A *	6/1922	Horn	368/203
D109,210 S *	4/1938	Darrot	D10/23
D197,442 S *	2/1964	Solecki	D10/53
D222,378 S *	10/1971	Berkoff	D10/26
D259,105 S *	5/1981	Hocq	D10/23
D279,764 S *	7/1985	Rhoades	D10/23
D335,633 S *	5/1993	Wada	D10/28
D354,008 S *	1/1995	Takashima	D10/28

D358,551 S *	5/1995	Silver	D10/28
D466,025 S *	11/2002	Orner	D10/2
D511,694 S *	11/2005	Bhavnani	D10/23

OTHER PUBLICATIONS

U.S. Appl. No. 29/246,887, Dilip Bhavnani.

* cited by examiner

Primary Examiner—Lucy Lieberman

(74) *Attorney, Agent, or Firm*—The Soni Law Firm

(57) **CLAIM**

The ornamental design for an oval clock, as shown and described.

DESCRIPTION

FIG. 1 is a front side perspective view of the present invention showing my new design with the phantom lines depicting environmental structure and forming no part of the claimed design;

FIG. 2 is a front elevational view thereof with the phantom lines depicting environmental structure and forming no part of the claimed design;

FIG. 3 is a right side elevation thereof;

FIG. 4 is a left side elevation thereof;

FIG. 5 is a top plan view thereof;

FIG. 6 is a bottom plan view thereof; and,

FIG. 7 is a back elevational view thereof.

1 Claim, 3 Drawing Sheets

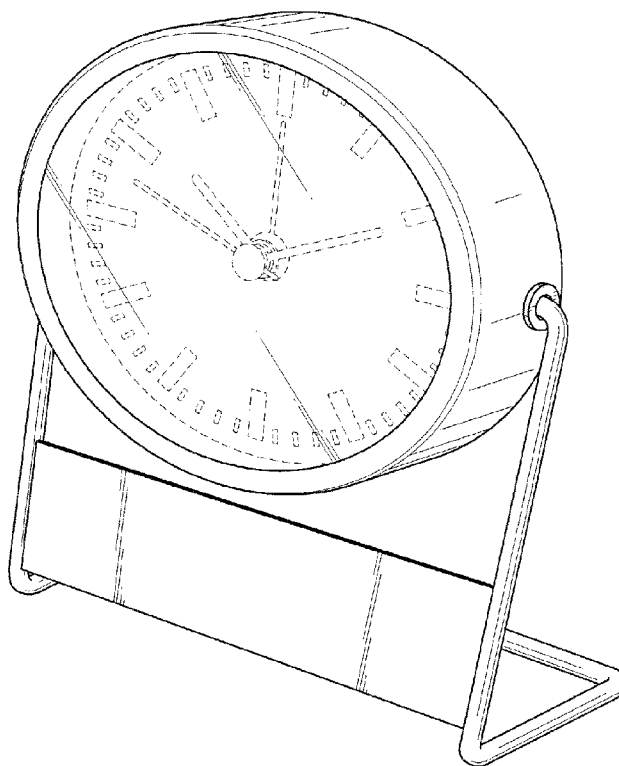


FIG. 1

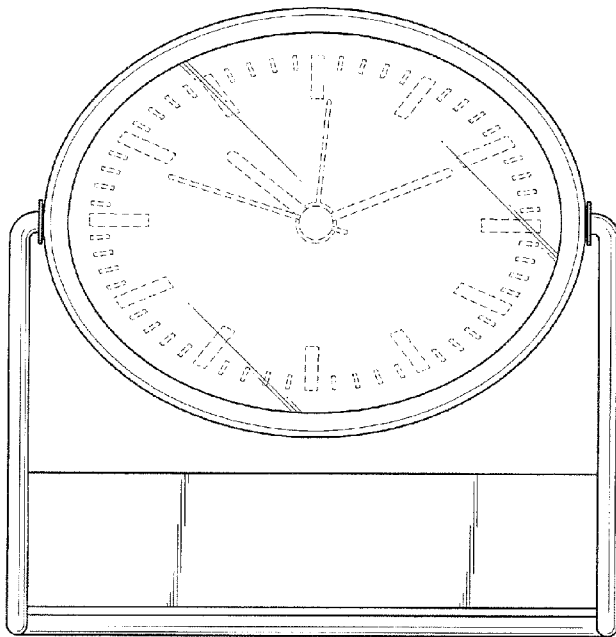
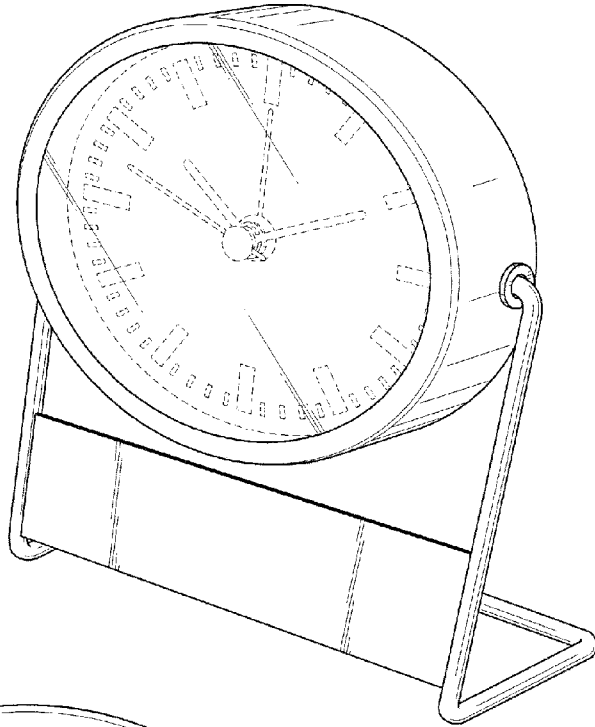


FIG. 2

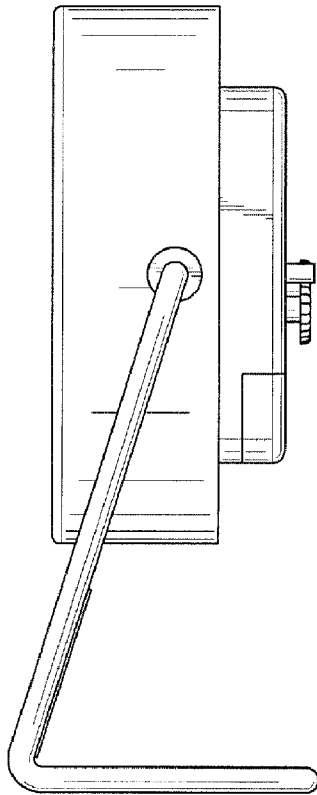


FIG. 3

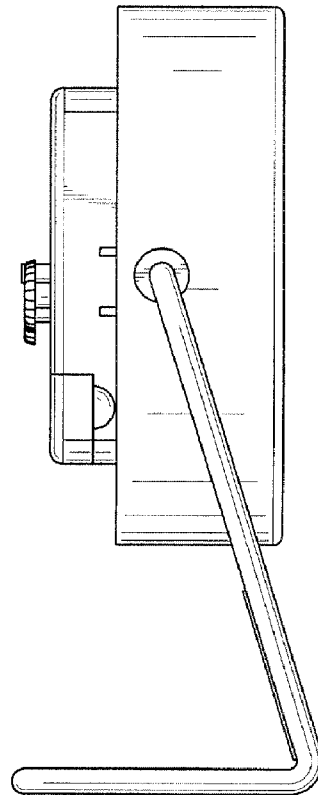


FIG. 4

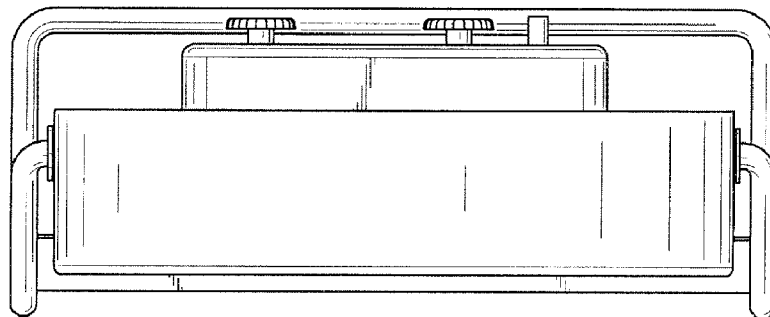


FIG. 5

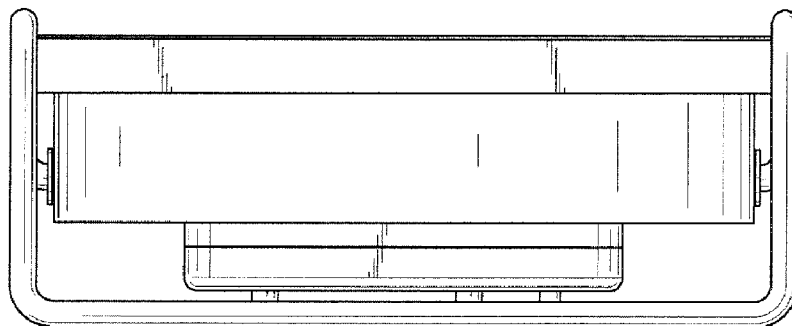


FIG. 6

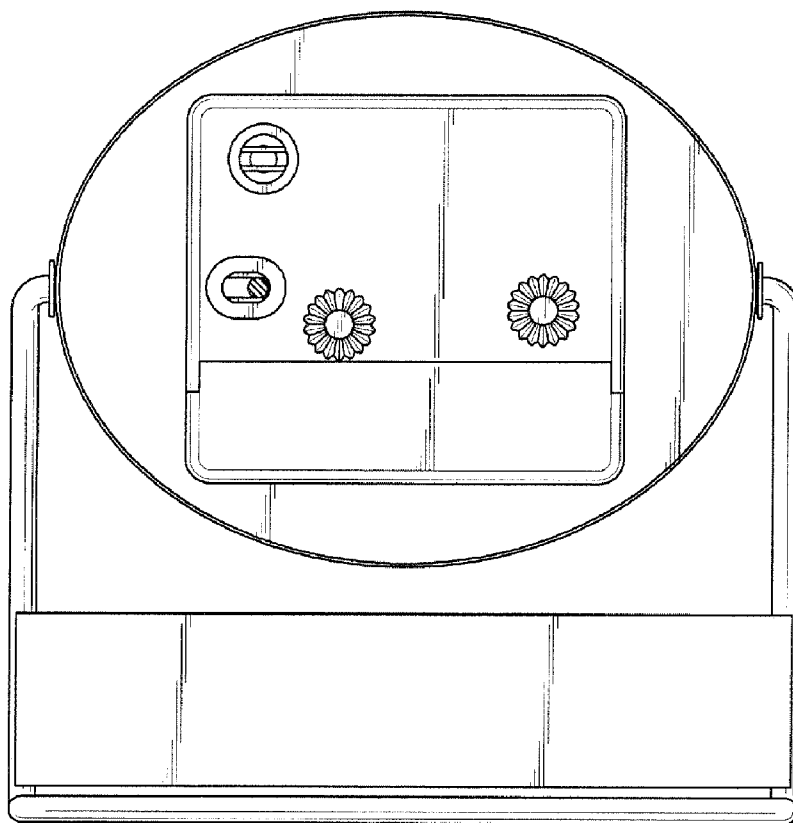


FIG. 7