



US00D359558S

United States Patent [19]
Hixson, Sr.

[11] **Patent Number: Des. 359,558**
[45] **Date of Patent: ** Jun. 20, 1995**

[54] **MAMMOGRAPHIC ACCESSORY**

[57] **CLAIM**

[75] **Inventor: Gordon L. Hixson, Sr., Chattanooga, Tenn.**

The ornamental design for a mammographic accessory, as shown.

[73] **Assignee: American Mammographics, Inc., Chattanooga, Tenn.**

DESCRIPTION

[**] **Term: 14 Years**

FIG. 1 is a front perspective view of a first form of a mammographic accessory embodying my new design; FIG. 2 is a side elevational view thereof illustrating the left side of FIG. 1, the opposite side being a mirror image thereof;

[21] **Appl. No.: 15,642**

FIG. 3 is a front elevational view thereof;

[22] **Filed: Nov. 23, 1993**

FIG. 4 is a rear elevational view thereof;

[52] **U.S. Cl. D24/158**

FIG. 5 is a top plan view thereof;

[58] **Field of Search D24/158; 378/37, 208, 378/167, 172**

FIG. 6 is a bottom rear view thereof;

[56] **References Cited**

FIG. 7 is a front perspective view of a second form of a mammographic accessory embodying my new design; FIG. 8 is a side elevational view thereof illustrating the left side of FIG. 1, the opposite side being a mirror image thereof;

U.S. PATENT DOCUMENTS

4,563,768	1/1986	Read et al.	378/37
5,040,198	8/1991	Hixson, Sr.	378/37
5,136,623	8/1992	Hixson, Sr.	378/37
5,199,056	3/1993	Darrah	378/37

FIG. 9 is a front elevational view thereof;

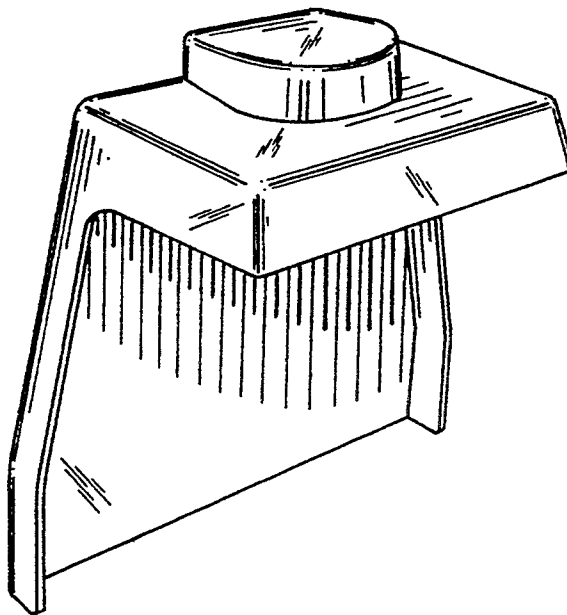
Primary Examiner—Stella Reid

FIG. 10 is a rear elevational view thereof;

Attorney, Agent, or Firm—Alan Ruderman

FIG. 11 is a top plan view thereof; and,

FIG. 12 is a bottom plan view thereof.



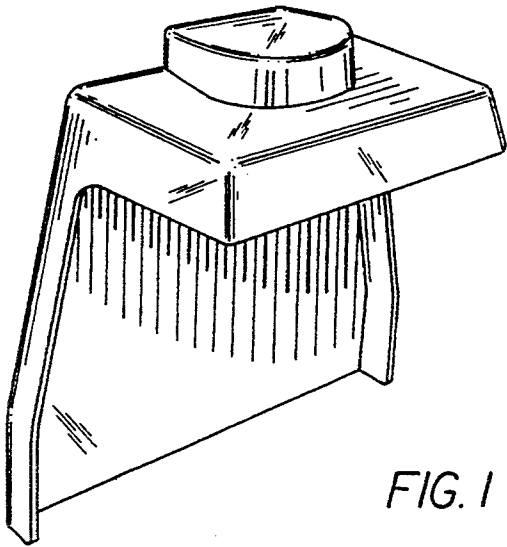


FIG. 1

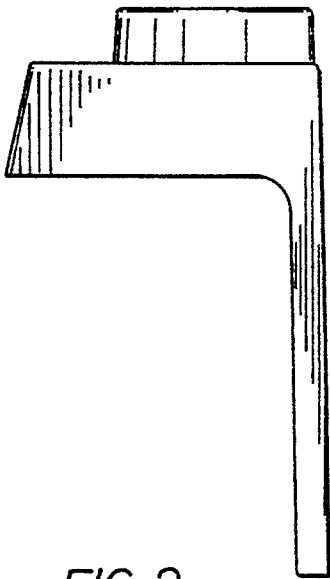


FIG. 2

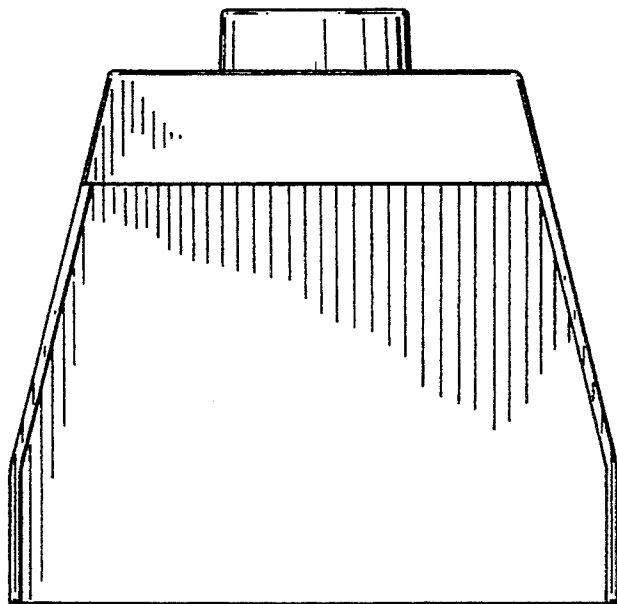


FIG. 3

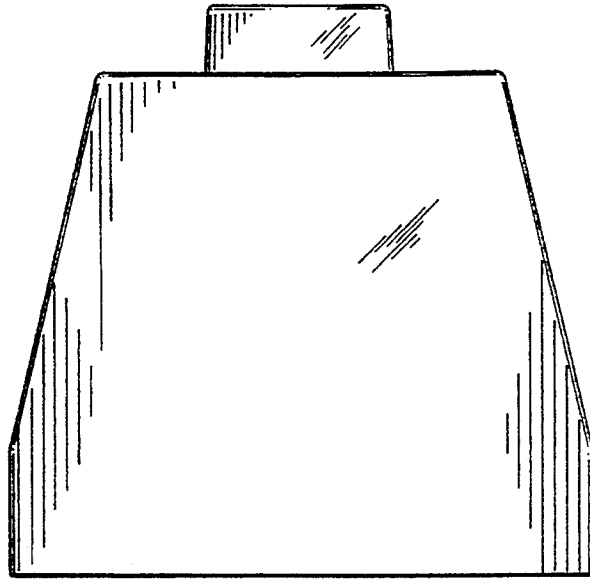


FIG. 4

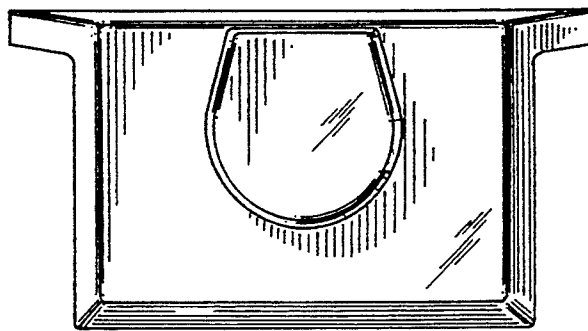


FIG. 5

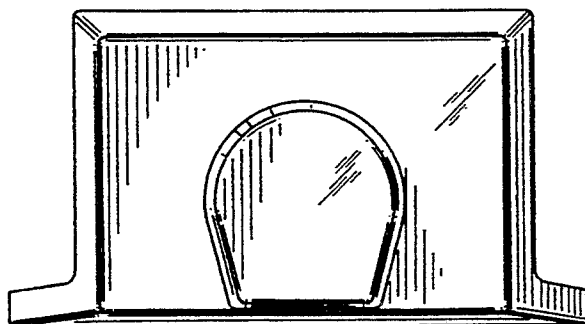


FIG. 6

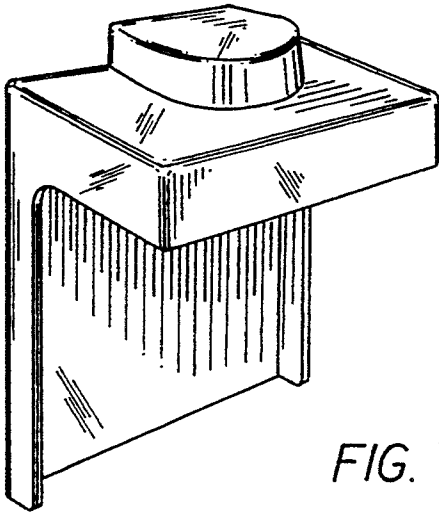


FIG. 7

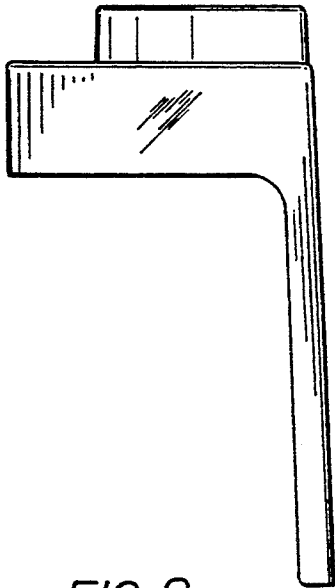


FIG. 8

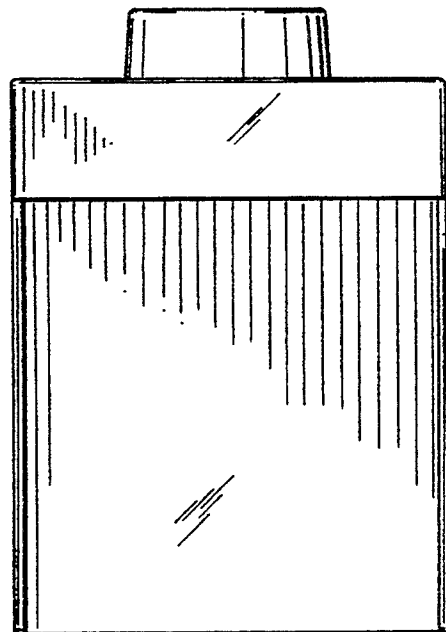


FIG. 9

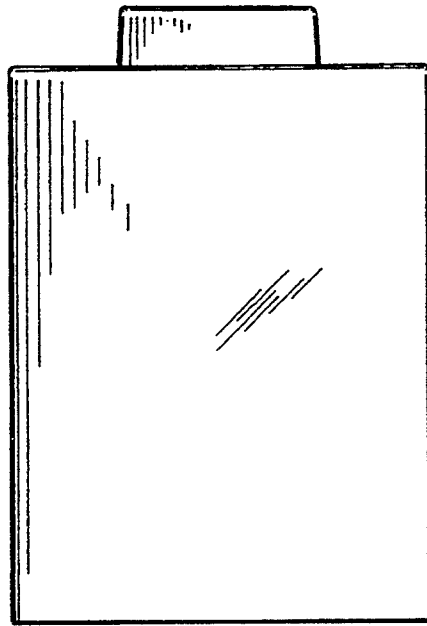


FIG. 10

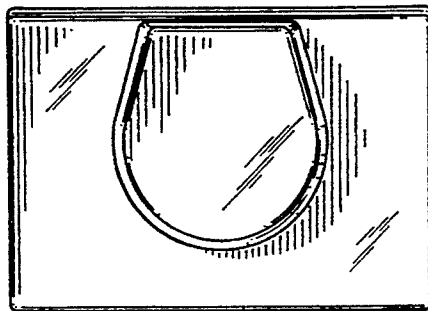


FIG. 11

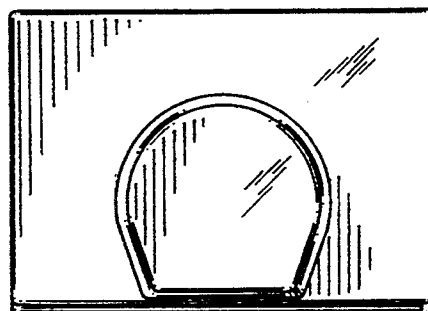


FIG. 12