



- (51) **International Patent Classification:**
B67D 7/02 (2010.01) *B67D 1/08* (2006.01)
- (21) **International Application Number:**
PCT/IB2021/052957
- (22) **International Filing Date:**
09 April 2021 (09.04.2021)
- (25) **Filing Language:** Italian
- (26) **Publication Language:** English
- (30) **Priority Data:**
10202000007678 09 April 2020 (09.04.2020) IT
- (71) **Applicant:** SEKO S.P.A. [IT/IT]; Via Salaria KM. 92,200, località Santa Rufina, 02010 Cittaducale (RI) (IT).
- (72) **Inventors:** PETRANGELI, Gabriele; c/o SEKO S.p.A., Via Salaria KM. 92,200, località Santa Rufina, Cittaducale (RI) (IT). FIORENTINO, Francesco; c/o SEKO S.p.A., Via Salaria KM. 92,200, località Santa Rufina, Cittaducale (RI) (IT).
- (74) **Agent:** SCILLETTA, Andrea et al.; IP Sextant s.r.l., Via Antonio Salandra, 18, 00187 Roma (IT).
- (81) **Designated States** (*unless otherwise indicated, for every kind of national protection available*): AE, AG, AL, AM, AO, AT, AU, AZ, BA, BB, BG, BH, BN, BR, BW, BY, BZ, CA, CH, CL, CN, CO, CR, CU, CZ, DE, DJ, DK, DM, DO, DZ, EC, EE, EG, ES, FI, GB, GD, GE, GH, GM, GT, HN, HR, HU, ID, IL, IN, IR, IS, IT, JO, JP, KE, KG, KH, KN, KP, KR, KW, KZ, LA, LC, LK, LR, LS, LU, LY, MA, MD, ME, MG, MK, MN, MW, MX, MY, MZ, NA, NG, NI, NO, NZ, OM, PA, PE, PG, PH, PL, PT, QA, RO, RS, RU, RW, SA, SC, SD, SE, SG, SK, SL, ST, SV, SY, TH, TJ, TM, TN, TR, TT, TZ, UA, UG, US, UZ, VC, VN, WS, ZA, ZM, ZW.
- (84) **Designated States** (*unless otherwise indicated, for every kind of regional protection available*): ARIPO (BW, GH, GM, KE, LR, LS, MW, MZ, NA, RW, SD, SL, ST, SZ, TZ, UG, ZM, ZW), Eurasian (AM, AZ, BY, KG, KZ, RU, TJ, TM), European (AL, AT, BE, BG, CH, CY, CZ, DE, DK, EE, ES, FI, FR, GB, GR, HR, HU, IE, IS, IT, LT, LU, LV, MC, MK, MT, NL, NO, PL, PT, RO, RS, SE, SI, SK, SM,

(54) **Title:** BRACKET FOR SUPPORTING A CONTAINER

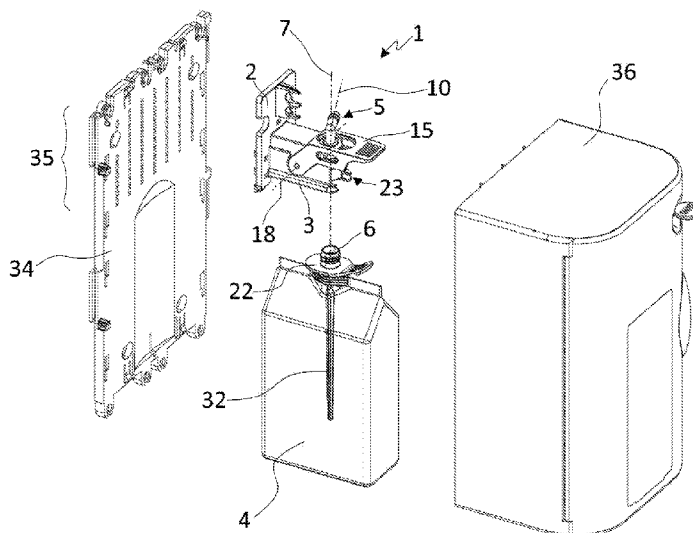


FIG. 8

(57) **Abstract:** A bracket (1) configured for supporting a pouch (4) comprises a fixing portion (2), configured for fixing the bracket (1) to a wall, an engaging portion (3) that extends from the (2) and is configured to receive and hold a pouch (4) along a guide housing (23), a sleeve (11) carrying a cable connector (5) configured to selectively engage a port (6) of a pouch (4), wherein the sleeve (11) is slidably engaged in a guide seat (12) delimited in the engagement portion (3), relative to which it can be moved along a connection direction (7) between a raised position and a position lowered.



TR), OAPI (BF, BJ, CF, CG, CI, CM, GA, GN, GQ, GW, KM, ML, MR, NE, SN, TD, TG).

Published:

- *with international search report (Art. 21(3))*
- *before the expiration of the time limit for amending the claims and to be republished in the event of receipt of amendments (Rule 48.2(h))*
- *in black and white; the international application as filed contained color or greyscale and is available for download from PATENTSCOPE*

(88) Date of publication of the international search report:

16 December 2021 (16.12.2021)

INTERNATIONAL SEARCH REPORT

International application No PCT/IB2021/052957

A. CLASSIFICATION OF SUBJECT MATTER INV. B67D7/02 B67D1/08 ADD.				
According to International Patent Classification (IPC) or to both national classification and IPC				
B. FIELDS SEARCHED				
Minimum documentation searched (classification system followed by classification symbols) B67D A47K A61L				
Documentation searched other than minimum documentation to the extent that such documents are included in the fields searched				
Electronic data base consulted during the international search (name of data base and, where practicable, search terms used) EPO-Internal, WPI Data				
C. DOCUMENTS CONSIDERED TO BE RELEVANT				
Category*	Citation of document, with indication, where appropriate, of the relevant passages	Relevant to claim No.		
A	WO 02/22449 A2 (BRIGHTWELL DISPENSERS LTD [GB]; SALLOWES GEOFFREY [GB] ET AL.) 21 March 2002 (2002-03-21) cited in the application page 4, paragraph 9 - page 5, paragraph 8; figures	1, 11		
A	----- FR 2 785 268 A1 (SOFAB [FR]) 5 May 2000 (2000-05-05) page 3, lines 11-30 page 4, line 16 - page 5, line 25 figures	9, 11		
A	----- US 6 105 633 A (PEDERSEN DANIEL E [US] ET AL) 22 August 2000 (2000-08-22) column 4, lines 11-49; figures	1, 11		
	----- -/--			
<input checked="" type="checkbox"/> Further documents are listed in the continuation of Box C. <input checked="" type="checkbox"/> See patent family annex.				
* Special categories of cited documents : <table style="width: 100%; border: none;"> <tr> <td style="width: 50%; border: none; vertical-align: top;"> "A" document defining the general state of the art which is not considered to be of particular relevance "E" earlier application or patent but published on or after the international filing date "L" document which may throw doubts on priority claim(s) or which is cited to establish the publication date of another citation or other special reason (as specified) "O" document referring to an oral disclosure, use, exhibition or other means "P" document published prior to the international filing date but later than the priority date claimed </td> <td style="width: 50%; border: none; vertical-align: top;"> "T" later document published after the international filing date or priority date and not in conflict with the application but cited to understand the principle or theory underlying the invention "X" document of particular relevance; the claimed invention cannot be considered novel or cannot be considered to involve an inventive step when the document is taken alone "Y" document of particular relevance; the claimed invention cannot be considered to involve an inventive step when the document is combined with one or more other such documents, such combination being obvious to a person skilled in the art "&" document member of the same patent family </td> </tr> </table>			"A" document defining the general state of the art which is not considered to be of particular relevance "E" earlier application or patent but published on or after the international filing date "L" document which may throw doubts on priority claim(s) or which is cited to establish the publication date of another citation or other special reason (as specified) "O" document referring to an oral disclosure, use, exhibition or other means "P" document published prior to the international filing date but later than the priority date claimed	"T" later document published after the international filing date or priority date and not in conflict with the application but cited to understand the principle or theory underlying the invention "X" document of particular relevance; the claimed invention cannot be considered novel or cannot be considered to involve an inventive step when the document is taken alone "Y" document of particular relevance; the claimed invention cannot be considered to involve an inventive step when the document is combined with one or more other such documents, such combination being obvious to a person skilled in the art "&" document member of the same patent family
"A" document defining the general state of the art which is not considered to be of particular relevance "E" earlier application or patent but published on or after the international filing date "L" document which may throw doubts on priority claim(s) or which is cited to establish the publication date of another citation or other special reason (as specified) "O" document referring to an oral disclosure, use, exhibition or other means "P" document published prior to the international filing date but later than the priority date claimed	"T" later document published after the international filing date or priority date and not in conflict with the application but cited to understand the principle or theory underlying the invention "X" document of particular relevance; the claimed invention cannot be considered novel or cannot be considered to involve an inventive step when the document is taken alone "Y" document of particular relevance; the claimed invention cannot be considered to involve an inventive step when the document is combined with one or more other such documents, such combination being obvious to a person skilled in the art "&" document member of the same patent family			
Date of the actual completion of the international search	Date of mailing of the international search report			
9 November 2021	19/11/2021			
Name and mailing address of the ISA/ European Patent Office, P.B. 5818 Patentlaan 2 NL - 2280 HV Rijswijk Tel. (+31-70) 340-2040, Fax: (+31-70) 340-3016	Authorized officer Müller, Claus			

INTERNATIONAL SEARCH REPORT

International application No
PCT/IB2021/052957

C(Continuation). DOCUMENTS CONSIDERED TO BE RELEVANT		
Category*	Citation of document, with indication, where appropriate, of the relevant passages	Relevant to claim No.
A	EP 1 671 568 A2 (KANFER JOSEPH S [US]) 21 June 2006 (2006-06-21) paragraphs [0024], [0026], [0027]; figures -----	1,11
A	DE 20 2017 105952 U1 (KNIELER & TEAM GMBH [DE]) 1 October 2018 (2018-10-01) paragraphs [0018], [0021], [0022]; figures 1-3 -----	1,11
A	WO 94/10119 A1 (BENTFIELD EUROP BV [NL]; GANZEBOOM WILHELMUS EVERHARDUS [NL] ET AL.) 11 May 1994 (1994-05-11) page 5, line 9 - page 6, line 3; figures -----	1,11
A	EP 3 476 750 A1 (GUALA PACK SPA [IT]) 1 May 2019 (2019-05-01) paragraphs [0011], [0012], [0028] - [0040] figures 1-8 -----	9,11

INTERNATIONAL SEARCH REPORT

International application No.
PCT/IB2021/052957

Box No. II Observations where certain claims were found unsearchable (Continuation of item 2 of first sheet)

This international search report has not been established in respect of certain claims under Article 17(2)(a) for the following reasons:

1. Claims Nos.:
because they relate to subject matter not required to be searched by this Authority, namely:

2. Claims Nos.:
because they relate to parts of the international application that do not comply with the prescribed requirements to such an extent that no meaningful international search can be carried out, specifically:

3. Claims Nos.:
because they are dependent claims and are not drafted in accordance with the second and third sentences of Rule 6.4(a).

Box No. III Observations where unity of invention is lacking (Continuation of item 3 of first sheet)

This International Searching Authority found multiple inventions in this international application, as follows:

see additional sheet

1. As all required additional search fees were timely paid by the applicant, this international search report covers all searchable claims.
2. As all searchable claims could be searched without effort justifying an additional fees, this Authority did not invite payment of additional fees.
3. As only some of the required additional search fees were timely paid by the applicant, this international search report covers only those claims for which fees were paid, specifically claims Nos.:
4. No required additional search fees were timely paid by the applicant. Consequently, this international search report is restricted to the invention first mentioned in the claims; it is covered by claims Nos.:

Remark on Protest

- The additional search fees were accompanied by the applicant's protest and, where applicable, the payment of a protest fee.
- The additional search fees were accompanied by the applicant's protest but the applicable protest fee was not paid within the time limit specified in the invitation.
- No protest accompanied the payment of additional search fees.

FURTHER INFORMATION CONTINUED FROM PCT/ISA/ 210

This International Searching Authority found multiple (groups of) inventions in this international application, as follows:

1. claims: 1-8(completely); 11(partially)

A bracket configured to support a pouch and a tank system comprising such a bracket

2. claims: 9, 10, 12(completely); 11(partially)

A pouch and a tank system comprising such a pouch

INTERNATIONAL SEARCH REPORT

Information on patent family members

International application No PCT/IB2021/052957

Patent document cited in search report	Publication date	Patent family member(s)	Publication date
WO 0222449	A2	21-03-2002	AT 339359 T 15-10-2006
			AU 8610401 A 26-03-2002
			DE 60123084 T2 04-01-2007
			EP 1317381 A2 11-06-2003
			ES 2271068 T3 16-04-2007
			GB 2366786 A 20-03-2002
			US 2004094574 A1 20-05-2004
			WO 0222449 A2 21-03-2002

FR 2785268	A1	05-05-2000	AU 6347299 A 15-05-2000
			BR 9915101 A 24-07-2001
			CA 2351575 A1 04-05-2000
			CN 1332691 A 23-01-2002
			EP 1124739 A1 22-08-2001
			FR 2785268 A1 05-05-2000
			HK 1041604 A1 12-07-2002
			JP 2002528252 A 03-09-2002
			US 6375046 B1 23-04-2002
			WO 0024651 A1 04-05-2000

US 6105633	A	22-08-2000	AU 3005600 A 22-01-2001
			CA 2376588 A1 11-01-2001
			US 6105633 A 22-08-2000
			WO 0102284 A2 11-01-2001

EP 1671568	A2	21-06-2006	AT 409434 T 15-10-2008
			AU 2005237111 A1 29-06-2006
			AU 2011200213 A1 10-02-2011
			AU 2011200214 A1 10-02-2011
			AU 2011200215 A1 10-02-2011
			BR PI0505505 A 12-09-2006
			CA 2530160 A1 15-06-2006
			CA 2919346 A1 15-06-2006
			CA 2919347 A1 15-06-2006
			CA 2919349 A1 15-06-2006
			CN 1796249 A 05-07-2006
			CN 102161467 A 24-08-2011
			CN 102161468 A 24-08-2011
			CN 102167196 A 31-08-2011
			CN 102700842 A 03-10-2012
			DK 1671568 T3 26-01-2009
			DK 2014207 T3 25-02-2013
			DK 2014208 T3 25-02-2013
			DK 2036477 T3 25-02-2013
			EP 1671568 A2 21-06-2006
			EP 2014207 A1 14-01-2009
			EP 2014208 A1 14-01-2009
			EP 2036477 A1 18-03-2009
			ES 2313243 T3 01-03-2009
			ES 2398600 T3 20-03-2013
			ES 2398601 T3 20-03-2013
			ES 2398602 T3 20-03-2013
			HK 1093950 A1 16-03-2007
			HK 1161214 A1 24-08-2012
			HK 1161215 A1 24-08-2012
			JP 5379950 B2 25-12-2013
			JP 2006193216 A 27-07-2006
			KR 20060067876 A 20-06-2006

INTERNATIONAL SEARCH REPORT

Information on patent family members

International application No PCT/IB2021/052957

Patent document cited in search report	Publication date	Patent family member(s)	Publication date
		MY 148414 A	30-04-2013
		MY 155667 A	13-11-2015
		MY 159648 A	13-01-2017
		PT 2014207 E	11-02-2013
		PT 2014208 E	13-02-2013
		PT 2036477 E	11-02-2013
		SG 123676 A1	26-07-2006
		SG 146617 A1	30-10-2008
		SG 146618 A1	30-10-2008
		SG 146619 A1	30-10-2008
		SG 177980 A1	28-02-2012
		TW I391115 B	01-04-2013
		US 2006124662 A1	15-06-2006
		US 2009127282 A1	21-05-2009
		US 2009132065 A1	21-05-2009
		US 2009314799 A1	24-12-2009
		US 2009314800 A1	24-12-2009

DE 202017105952 U1	01-10-2018	DE 202017105952 U1	01-10-2018
		EP 3461382 A1	03-04-2019

WO 9410119 A1	11-05-1994	AT 157228 T	15-09-1997
		AU 678791 B2	12-06-1997
		BR 9307367 A	08-09-1999
		CA 2148364 A1	11-05-1994
		DE 69313459 T2	02-01-1998
		EP 0670691 A1	13-09-1995
		ES 2108413 T3	16-12-1997
		JP H08502431 A	19-03-1996
		NL 9201919 A	01-06-1994
		WO 9410119 A1	11-05-1994

EP 3476750 A1	01-05-2019	AU 2018392834 A1	30-04-2020
		BR 112020008106 A2	27-10-2020
		CA 3078931 A1	27-06-2019
		CL 2020001105 A1	14-08-2020
		CN 111315658 A	19-06-2020
		CR 20200172 A	24-07-2020
		EP 3476750 A1	01-05-2019
		JP 2021500276 A	07-01-2021
		US 2019119024 A1	25-04-2019
		WO 2019123030 A1	27-06-2019
		ZA 202002061 B	27-10-2021
