

(19) World Intellectual Property  
Organization  
International Bureau



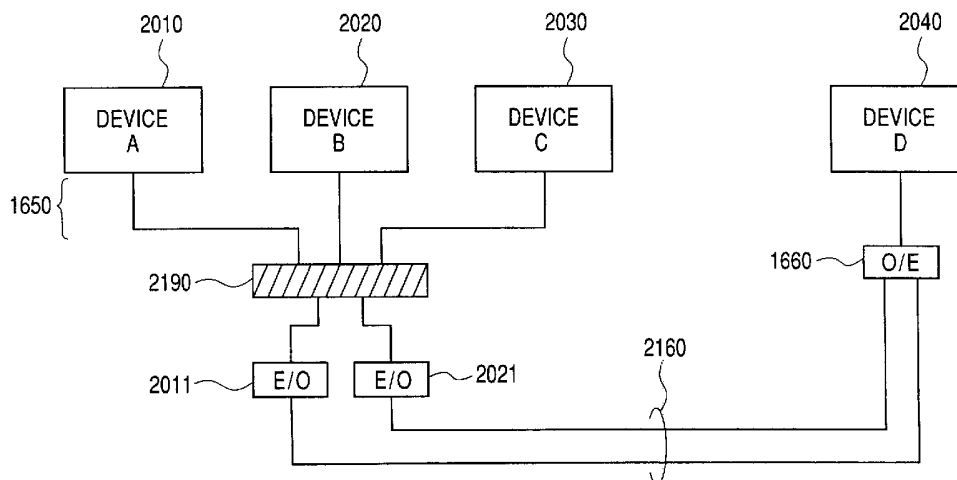
(43) International Publication Date  
24 June 2004 (24.06.2004)

PCT

(10) International Publication Number  
**WO 2004/053544 A3**

- (51) International Patent Classification<sup>7</sup>: **G02B 6/43**
- (21) International Application Number:  
PCT/JP2003/015590
- (22) International Filing Date: 5 December 2003 (05.12.2003)
- (25) Filing Language: English
- (26) Publication Language: English
- (30) Priority Data:  
2002-359199 11 December 2002 (11.12.2002) JP
- (71) Applicant (for all designated States except US): **CANON KABUSHIKI KAISHA** [JP/JP]; 3-30-2, Shimomaruko, Ohta-ku, Tokyo 146-8501 (JP).
- (72) Inventor; and
- (75) Inventor/Applicant (for US only): **UCHIDA, Mamoru** [JP/JP]; Canon Kabushiki Kaisha, 3-30-2, Shimomaruko, Ohta-ku, Tokyo 146-8501 (JP).
- (74) Agents: **OKABE, Masao** et al.; No. 602, Fuji Building, 2-3, Marunouchi 3-chome, Chiyoda-ku, Tokyo 100-0005 (JP).
- (81) Designated States (national): AE, AG, AL, AM, AT, AU, AZ, BA, BB, BG, BR, BW, BY, BZ, CA, CH, CN, CO, CR, CU, CZ, DE, DK, DM, DZ, EC, EE, EG, ES, FI, GB, GD, GE, GH, GM, HR, HU, ID, IL, IN, IS, KE, KG, KP, KR, KZ, LC, LK, LR, LS, LT, LU, LV, MA, MD, MG, MK, MN, MW, MX, MZ, NI, NO, NZ, OM, PG, PH, PL, PT, RO, RU, SC, SD, SE, SG, SK, SL, SY, TJ, TM, TN, TR, TT, TZ, UA, UG, US, UZ, VC, VN, YU, ZA, ZM, ZW.
- (84) Designated States (regional): ARIPO patent (BW, GH, GM, KE, LS, MW, MZ, SD, SL, SZ, TZ, UG, ZM, ZW), Eurasian patent (AM, AZ, BY, KG, KZ, MD, RU, TJ, TM), European patent (AT, BE, BG, CH, CY, CZ, DE, DK, EE, ES, FI, FR, GB, GR, HU, IE, IT, LU, MC, NL, PT, RO, SE, SI, SK, TR), OAPI patent (BF, BJ, CF, CG, CI, CM, GA, GN, GQ, GW, ML, MR, NE, SN, TD, TG).
- Published:**  
— with international search report
- (88) Date of publication of the international search report:  
24 February 2005
- For two-letter codes and other abbreviations, refer to the "Guidance Notes on Codes and Abbreviations" appearing at the beginning of each regular issue of the PCT Gazette.

(54) Title: PHOTONIC CIRCUIT BOARD



(57) Abstract: A photonic circuit board comprises a connection setting circuit, a group of electric wires for connecting the connection setting circuit and a plurality of devices, an optical I/O (input/output) device connected to the connection setting circuit and a two dimensional optical transmission medium connected to the optical I/O device and adapted to transmit optical signals. The connection setting circuit includes a circuit capable of changing the mode of connection of the group of electric wires and the optical I/O device.

WO 2004/053544 A3

# INTERNATIONAL SEARCH REPORT

International Application No

PCT/JP 03/15590

<b>A. CLASSIFICATION OF SUBJECT MATTER</b> IPC 7 G02B6/43		
According to International Patent Classification (IPC) or to both national classification and IPC		
<b>B. FIELDS SEARCHED</b>		
Minimum documentation searched (classification system followed by classification symbols) IPC 7 G02B		
Documentation searched other than minimum documentation to the extent that such documents are included in the fields searched		
Electronic data base consulted during the international search (name of data base and, where practical, search terms used) EPO-Internal		
<b>C. DOCUMENTS CONSIDERED TO BE RELEVANT</b>		
Category °	Citation of document, with indication, where appropriate, of the relevant passages	Relevant to claim No.
A	US 5 191 219 A (LINKE RICHARD A) 2 March 1993 (1993-03-02) cited in the application abstract; figures 1-6	1
A	WO 01/33895 A (XROS INC) 10 May 2001 (2001-05-10) page 25 - page 30; figures 1-14	1
A	US 5 416 861 A (BOYD JOSEPH T ET AL) 16 May 1995 (1995-05-16) abstract; figures 1-11	1
A	US 6 343 171 B1 (MASSINGILL THOMAS J ET AL) 29 January 2002 (2002-01-29) abstract; figures 1-153	1
	-/--	
<input checked="" type="checkbox"/> Further documents are listed in the continuation of box C. <input checked="" type="checkbox"/> Patent family members are listed in annex.		
° Special categories of cited documents :		
*A* document defining the general state of the art which is not considered to be of particular relevance *E* earlier document but published on or after the international filing date *L* document which may throw doubts on priority claim(s) or which is cited to establish the publication date of another citation or other special reason (as specified) *O* document referring to an oral disclosure, use, exhibition or other means *P* document published prior to the international filing date but later than the priority date claimed		*T* later document published after the international filing date or priority date and not in conflict with the application but cited to understand the principle or theory underlying the invention *X* document of particular relevance; the claimed invention cannot be considered novel or cannot be considered to involve an inventive step when the document is taken alone *Y* document of particular relevance; the claimed invention cannot be considered to involve an inventive step when the document is combined with one or more other such documents, such combination being obvious to a person skilled in the art. *&* document member of the same patent family
Date of the actual completion of the international search 24 June 2004		Date of mailing of the international search report 06/07/2004
Name and mailing address of the ISA European Patent Office, P.B. 5818 Patentlaan 2 NL - 2280 HV Rijswijk Tel. (+31-70) 340-2040, Tx. 31 651 epo nl, Fax: (+31-70) 340-3016		Authorized officer Malic, K

## INTERNATIONAL SEARCH REPORT

International Application No

PCT/JP 03/15590

## C.(Continuation) DOCUMENTS CONSIDERED TO BE RELEVANT

Category °	Citation of document, with indication, where appropriate, of the relevant passages	Relevant to claim No.
A	US 5 218 654 A (SAUTER GERALD F) 8 June 1993 (1993-06-08) abstract; figures 1-7	1
A	EP 1 219 994 A (CANON KK) 3 July 2002 (2002-07-03) abstract; figures 1-35	1

# INTERNATIONAL SEARCH REPORT

Information on patent family members

International Application No

PCT/JP 03/15590

Patent document cited in search report	Publication date	Patent family member(s)	Publication date
US 5191219	A	02-03-1993	JP 7005512 A 10-01-1995
			JP 7109466 B 22-11-1995
			JP 1912792 C 09-03-1995
			JP 3129759 A 03-06-1991
			JP 6042527 B 01-06-1994
WO 0133895	A	10-05-2001	AU 1360601 A 14-05-2001
			AU 3071901 A 14-05-2001
			AU 3262201 A 14-05-2001
			AU 3634301 A 14-05-2001
			AU 3641001 A 14-05-2001
			AU 4302201 A 04-06-2001
			CA 2389527 A1 10-05-2001
			CA 2389589 A1 31-05-2001
			CA 2389721 A1 10-05-2001
			CA 2389735 A1 10-05-2001
			CA 2389758 A1 10-05-2001
			CA 2389948 A1 10-05-2001
			EP 1228660 A1 07-08-2002
			EP 1228588 A2 07-08-2002
			EP 1226738 A2 31-07-2002
			EP 1228661 A2 07-08-2002
			EP 1228662 A2 07-08-2002
			EP 1228592 A2 07-08-2002
			WO 0133895 A2 10-05-2001
			WO 0133746 A2 10-05-2001
			WO 0133896 A1 10-05-2001
			WO 0133897 A2 10-05-2001
			WO 0133898 A2 10-05-2001
			WO 0139413 A2 31-05-2001
			US 2004076365 A1 22-04-2004
			US 2004037553 A1 26-02-2004
			US 6650803 B1 18-11-2003
US 6597826 B1 22-07-2003			
US 6571030 B1 27-05-2003			
US 5416861	A	16-05-1995	AU 2371395 A 29-11-1995
			WO 9530164 A1 09-11-1995
US 6343171	B1	29-01-2002	US 6690845 B1 10-02-2004
			US 2002039464 A1 04-04-2002
			US 2002028045 A1 07-03-2002
			JP 2000114581 A 21-04-2000
			US 6611635 B1 26-08-2003
			US 2002097962 A1 25-07-2002
US 5218654	A	08-06-1993	NONE
EP 1219994	A	03-07-2002	JP 2002286959 A 03-10-2002
			EP 1219994 A2 03-07-2002
			US 2002109074 A1 15-08-2002