



US00D925784S

(12) **United States Design Patent**
Baldwin et al.

(10) **Patent No.:** **US D925,784 S**

(45) **Date of Patent:** **** *Jul. 20, 2021**

- (54) **PLUG-IN NIGHT LIGHT**
- (71) Applicants: **Jeffrey P. Baldwin**, Anthem, AZ (US);
John E. Klein, Chandler, AZ (US)
- (72) Inventors: **Jeffrey P. Baldwin**, Anthem, AZ (US);
John E. Klein, Chandler, AZ (US)

5,947,786 A * 9/1999 Glick A63H 33/04
446/85
D419,259 S * 1/2000 Johnson D27/175
D435,124 S * 12/2000 Yuen D26/26
6,674,003 B1 * 1/2004 Torres H02G 3/14
174/66
6,675,512 B1 * 1/2004 Shwartz G09F 7/00
2/195.1
7,025,473 B2 * 4/2006 Dokoupil H05B 45/37
362/640
D524,461 S * 7/2006 Molenaar D26/26
(Continued)

(*) Notice: This patent is subject to a terminal disclaimer.

(**) Term: **15 Years**

(21) Appl. No.: **29/711,967**

(22) Filed: **Nov. 4, 2019**

(51) **LOC (13) Cl.** **26-05**

(52) **U.S. Cl.**
USPC **D26/26**

(58) **Field of Classification Search**
USPC D26/24, 26, 113, 118–120;
D23/366–367, 369; D9/414, 432
CPC F21S 8/035; F21V 23/06; F21V 23/04;
F21V 23/0442; F21W 2121/00; H01R
2103/00; H01R 39/64; H01R 33/00
See application file for complete search history.

(56) **References Cited**

U.S. PATENT DOCUMENTS

D151,571 S * 10/1948 Tillinghast D13/156
D346,361 S * 4/1994 Richey D13/156
D352,564 S * 11/1994 Marischen D26/26
5,375,728 A * 12/1994 West H01R 13/443
174/488
D376,214 S * 12/1996 Pinchuk D26/26
D376,436 S * 12/1996 Emmerling D26/26
D377,535 S * 1/1997 Shulman D26/26
5,662,408 A * 9/1997 Marischen F21S 8/035
362/253
D392,756 S * 3/1998 Hanig D26/26
D394,000 S * 5/1998 Rowe D9/414
D403,442 S * 12/1998 Joss D26/26
D405,007 S * 2/1999 Naas, Sr. D27/189

OTHER PUBLICATIONS

conservationmart.com: LimeLite Night Light 1018 Rectangle. Undated online product page. Retrieved on Nov. 23, 2020 from <https://www.conservationmart.com/p-418-limelite-night-light-1018-rectangle.aspx> (Year: 2020).*

(Continued)

Primary Examiner — Holly E Thurman
(74) *Attorney, Agent, or Firm* — Booth Udall Fuller, PLC; Kenneth C. Booth

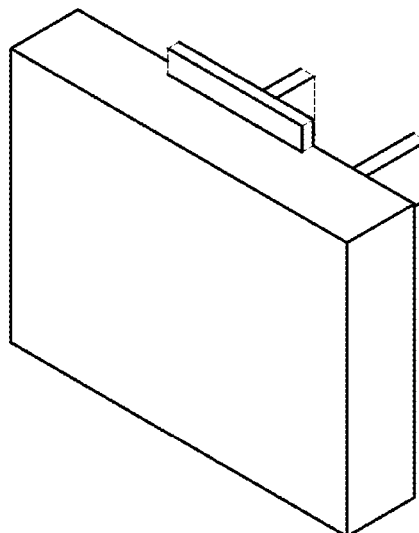
(57) **CLAIM**

We claim the ornamental design for a plug-in night light, as shown and described.

DESCRIPTION

FIG. 1 is a front view for a plug-in night light;
FIG. 2 is a right side view thereof;
FIG. 3 is a left side view thereof;
FIG. 4 is a top view thereof;
FIG. 5 is a bottom view thereof;
FIG. 6 is a back view thereof; and,
FIG. 7 is a front perspective view thereof.
The broken lines in the figures are for illustrative purposes or represent portions of the article which form no part of the claimed design.

1 Claim, 7 Drawing Sheets



(56)

References Cited

U.S. PATENT DOCUMENTS

D526,422 S *	8/2006	Yuen	D26/26
7,652,210 B2 *	1/2010	White	H01R 13/447 174/67
D618,833 S *	6/2010	Wei	D26/26
D633,237 S *	2/2011	Wang	D26/26
D634,055 S *	3/2011	Hokazono	D26/89
D639,984 S *	6/2011	Stolte	D26/26
D641,098 S *	7/2011	Wildner	D26/89
D645,175 S *	9/2011	Stolte	D26/26
8,093,497 B2 *	1/2012	White	H02G 3/14 174/67
8,324,500 B2 *	12/2012	Belyea	H01R 13/443 174/66
D675,908 S *	2/2013	Neuhaus	D9/414
D687,706 S *	8/2013	Akana	D9/432
9,088,081 B2 *	7/2015	Hildebrandt	H01R 13/521
D755,607 S *	5/2016	Baber	D8/353
D772,442 S *	11/2016	Lange	D26/26
9,509,080 B1 *	11/2016	Insalaco	H01R 24/30
D776,064 S *	1/2017	Insalaco	H01R 31/06 D13/156
D806,915 S *	1/2018	Burke	D26/26
D813,212 S *	3/2018	Nangeroni	D14/240
D818,155 S *	5/2018	Trice	D26/26
D821,615 S *	6/2018	Trice	D26/26
D849,692 S *	5/2019	Marsden	D13/156
D858,274 S *	9/2019	Perella	D9/432
D861,930 S *	10/2019	Wu	D26/26
10,468,817 B1 *	11/2019	Lee	H01R 13/5812
D869,014 S *	12/2019	Wu	D26/26
D870,326 S *	12/2019	Chen	D26/26
D872,912 S *	1/2020	Wu	D26/26
D873,448 S *	1/2020	Zhang	D26/26
D876,196 S *	2/2020	Baheti	D8/71
D876,679 S *	2/2020	Hou	D26/26
D878,197 S *	3/2020	Griffin	D9/432
D881,003 S *	4/2020	Hendricks	D9/432
D890,605 S *	7/2020	Nelson	D9/423
D894,436 S *	8/2020	Wu	D26/26
D897,567 S *	9/2020	Wu	D26/26
D899,247 S *	10/2020	Kilduff	D9/432
2002/0163796 A1 *	11/2002	Dickie	H05B 33/00 362/84
2005/0020112 A1 *	1/2005	De Cell	H01R 13/443 439/135
2006/0077684 A1 *	4/2006	Yuen	F21S 8/035 362/555
2008/0013932 A1 *	1/2008	He	A01M 1/2072 392/390
2016/0152375 A1 *	6/2016	Chen	B65D 5/30 229/150
2017/0133829 A1 *	5/2017	Caporale	H01B 3/443

OTHER PUBLICATIONS

amazon.com: Night Light, FURANDE Plug-in LED Night Light. Date uploaded Jun. 18, 2020 [site visited Nov. 23, 2020], Retrieved from internet, <https://www.amazon.com/FURANDE-Adjustable-Brightness-Hallway-Stairway/dp/B08BFT6HNV/ref=sr_1_22?dchild=1&keywords=rectangular+night+light&qid=1606152455&sr=8-22> (Year: 2020).*

* cited by examiner

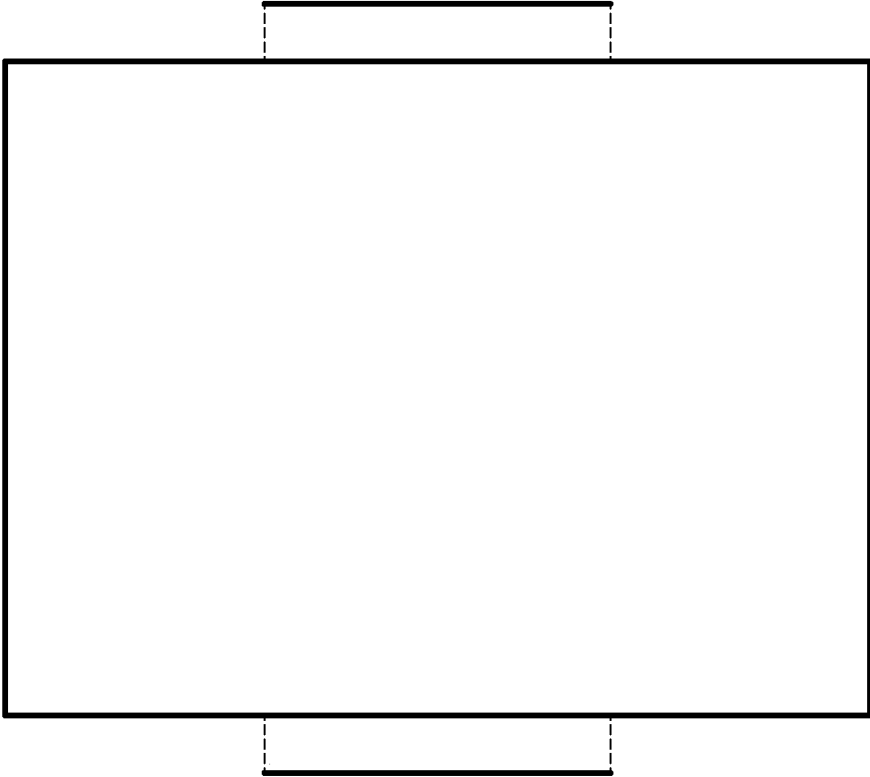


FIG. 1

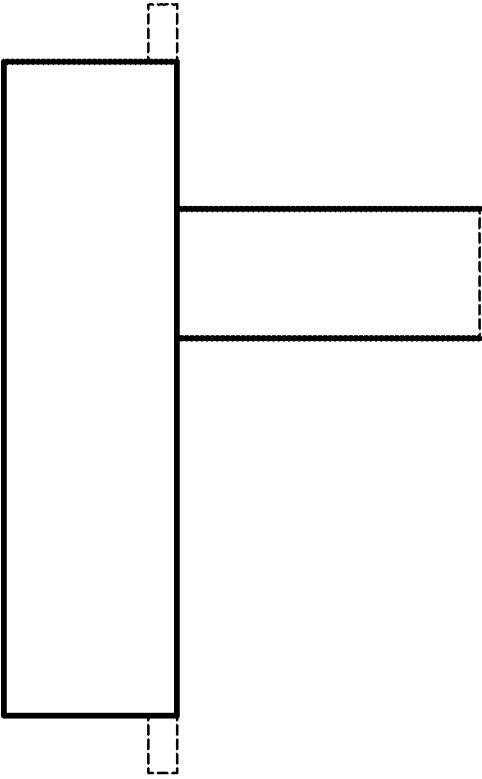


FIG. 2

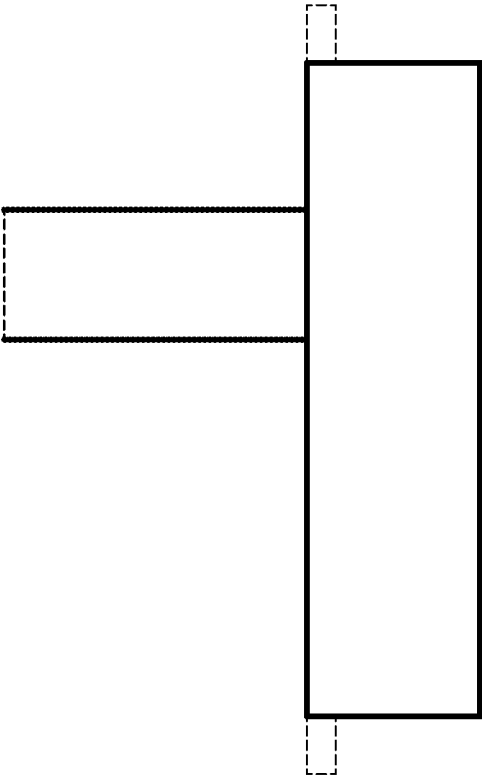


FIG. 3

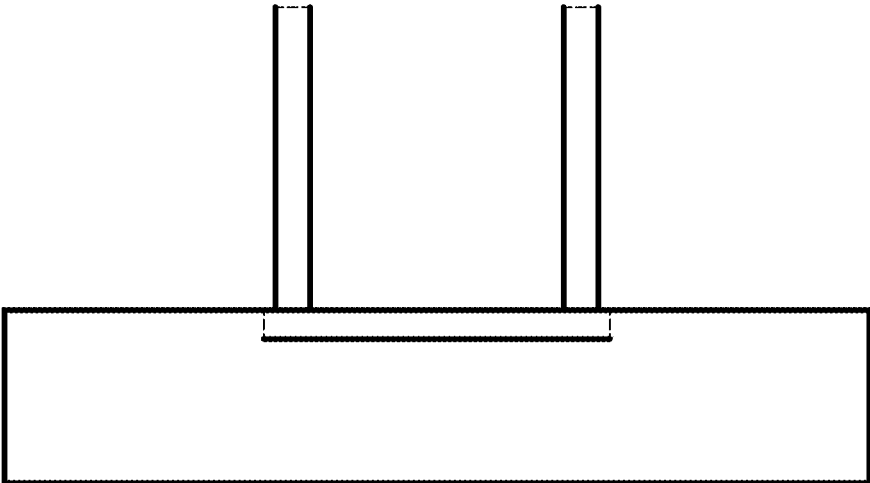


FIG. 4

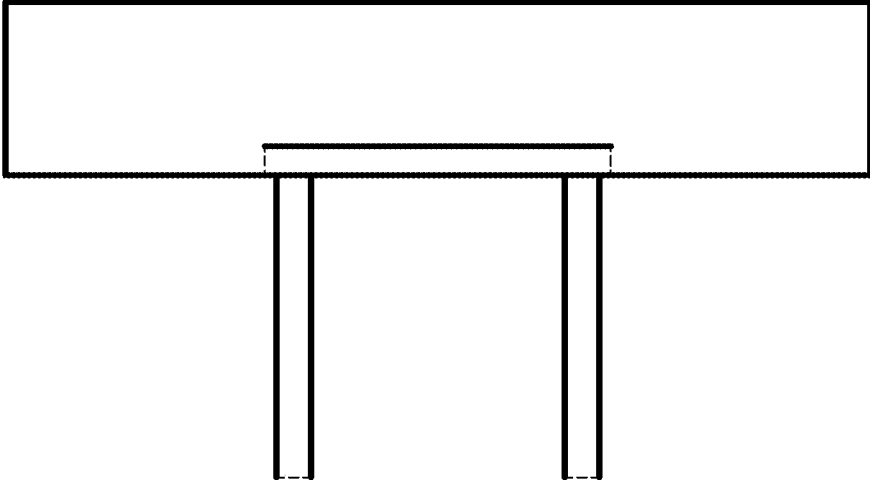


FIG. 5

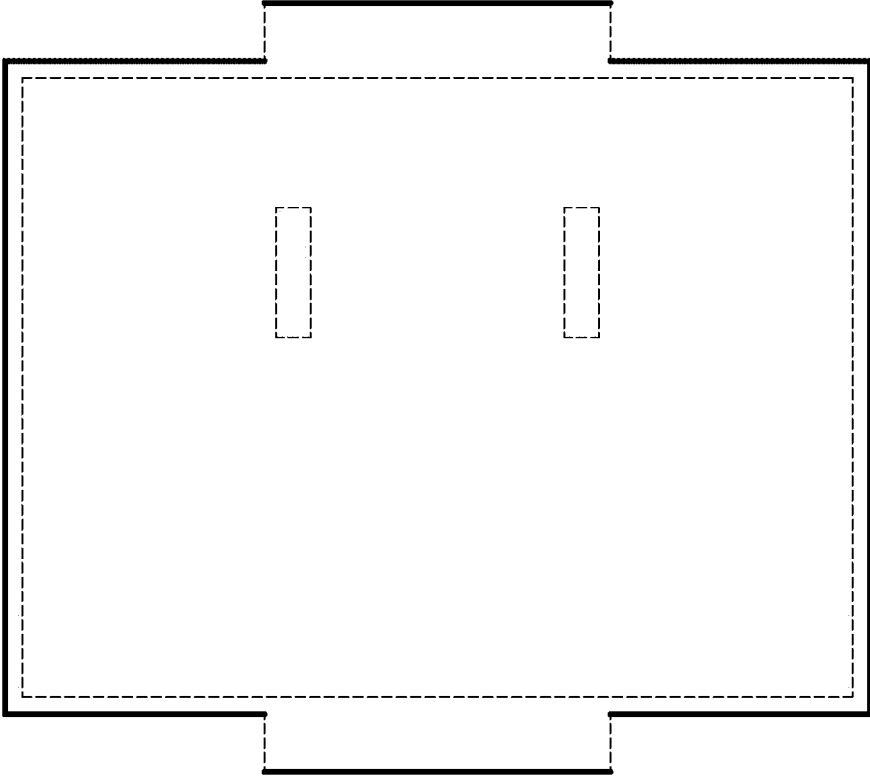


FIG. 6

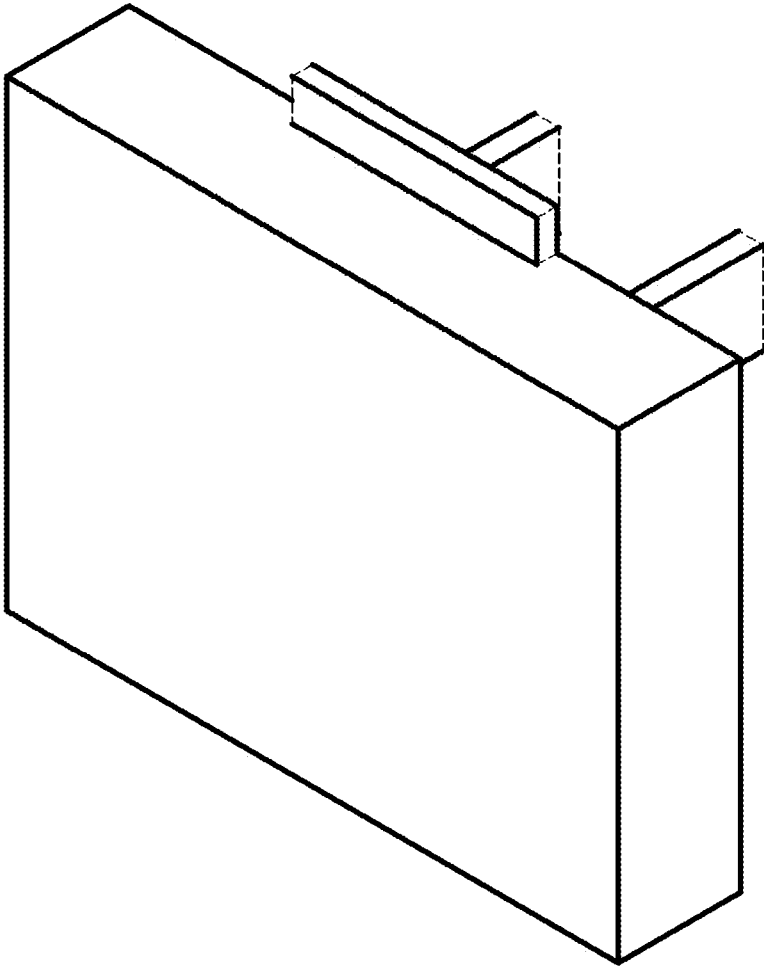


FIG. 7