



US00D346884S

United States Patent [19]

[11] Patent Number: Des. 346,884

Stork

[45] Date of Patent: ** May 10, 1994

[54] **BIRD FEEDER**

[75] Inventor: **Barbara J. Stork**, Jersey City, N.J.

[73] Assignee: **Donsco, Inc.**, Wrightsville, Pa.

[**] Term: **14 Years**

[21] Appl. No.: **896,091**

[22] Filed: **Jun. 5, 1992**

[52] U.S. Cl. **D30/124**

[58] Field of Search 119/52.2, 57.8;
D30/24-28

Sturbridge Yankee Workshop Catalog; p. 45; item #65159—Gazebo Bird Feeder.

Rubbermaid Inc. Product Sheet; item No. 3405, Bird Feeder.

Primary Examiner—A. Hugo Word

Assistant Examiner—Cathy Anne MacCormac

Attorney, Agent, or Firm—Caesar, Rivise, Bernstein, Cohen & Pokotilow, Ltd.

[57] **CLAIM**

The ornamental design for a bird feeder, as shown.

DESCRIPTION

FIG. 1 is a front elevational view thereof;

FIG. 2 is a rear elevational view thereof;

FIG. 3 is a side elevational view taken from the left side thereof;

FIG. 4 is a side elevational view taken from the right side thereof;

FIG. 5 is a top plan view thereof;

FIG. 6 is a bottom plan view thereof; and,

FIG. 7 is a top perspective view thereof.

[56]

References Cited

U.S. PATENT DOCUMENTS

- D. 240,743 7/1976 Renfro D30/126
- D. 328,655 8/1992 Embree D30/124
- 1,516,381 11/1924 Erickson D30/111

OTHER PUBLICATIONS

Colonial Garden Kitchens Catalog; p. 65; item E-A655407; Bird Feeder.

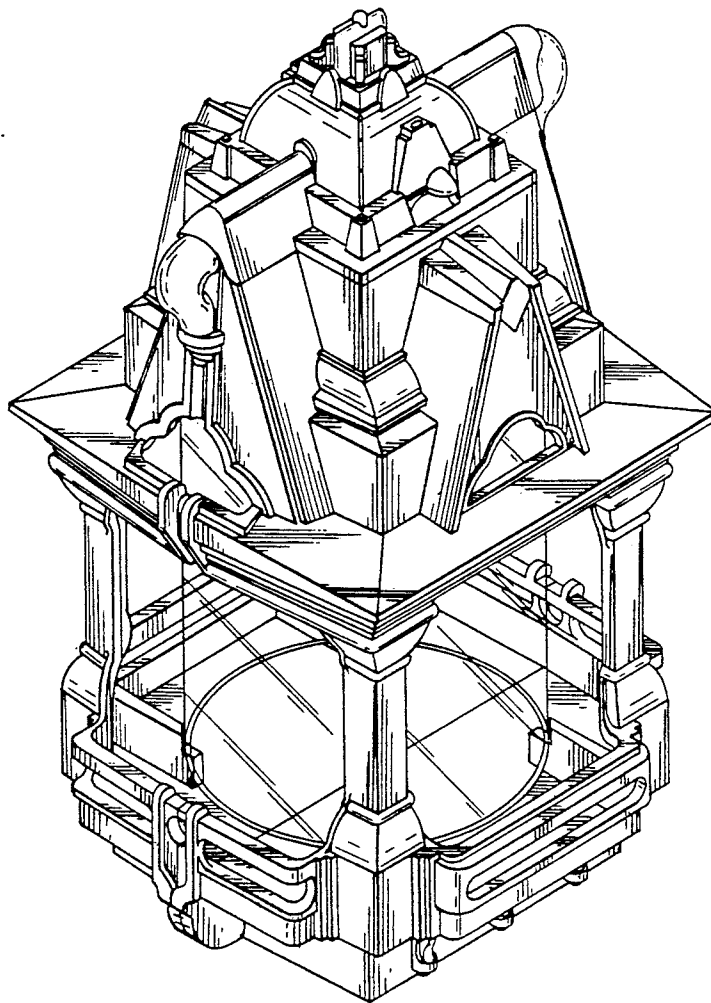


FIG. 1

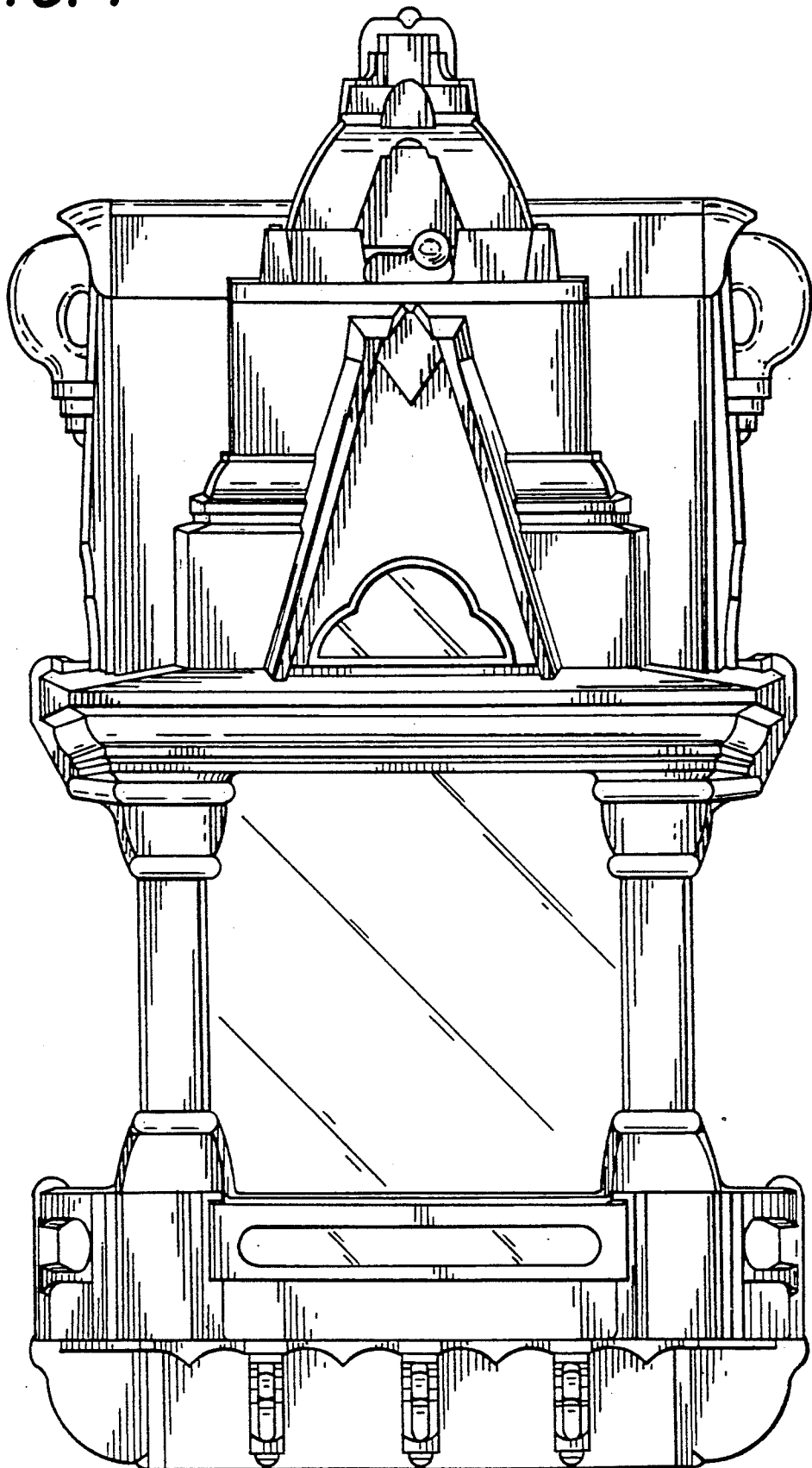


FIG. 2

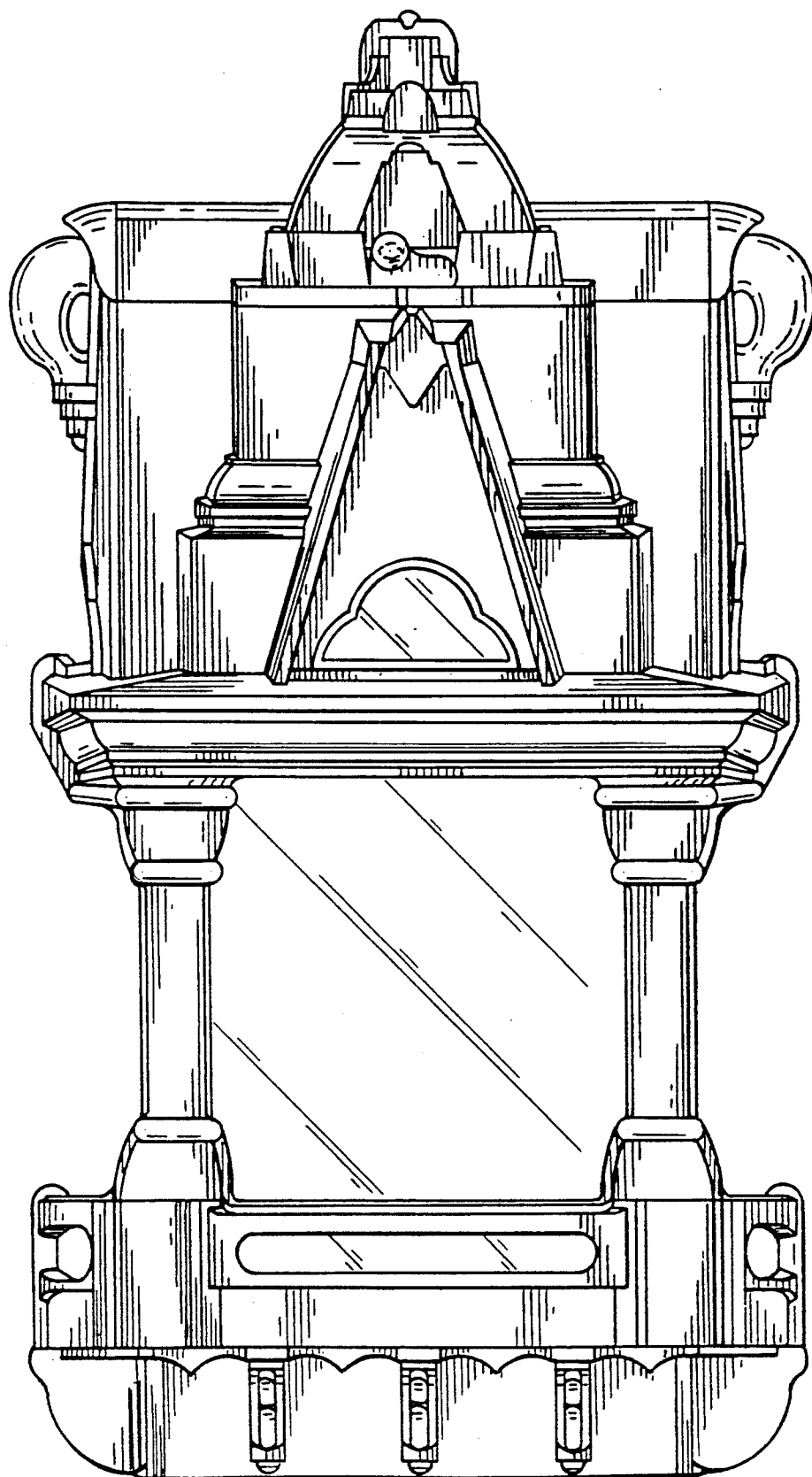


FIG. 3

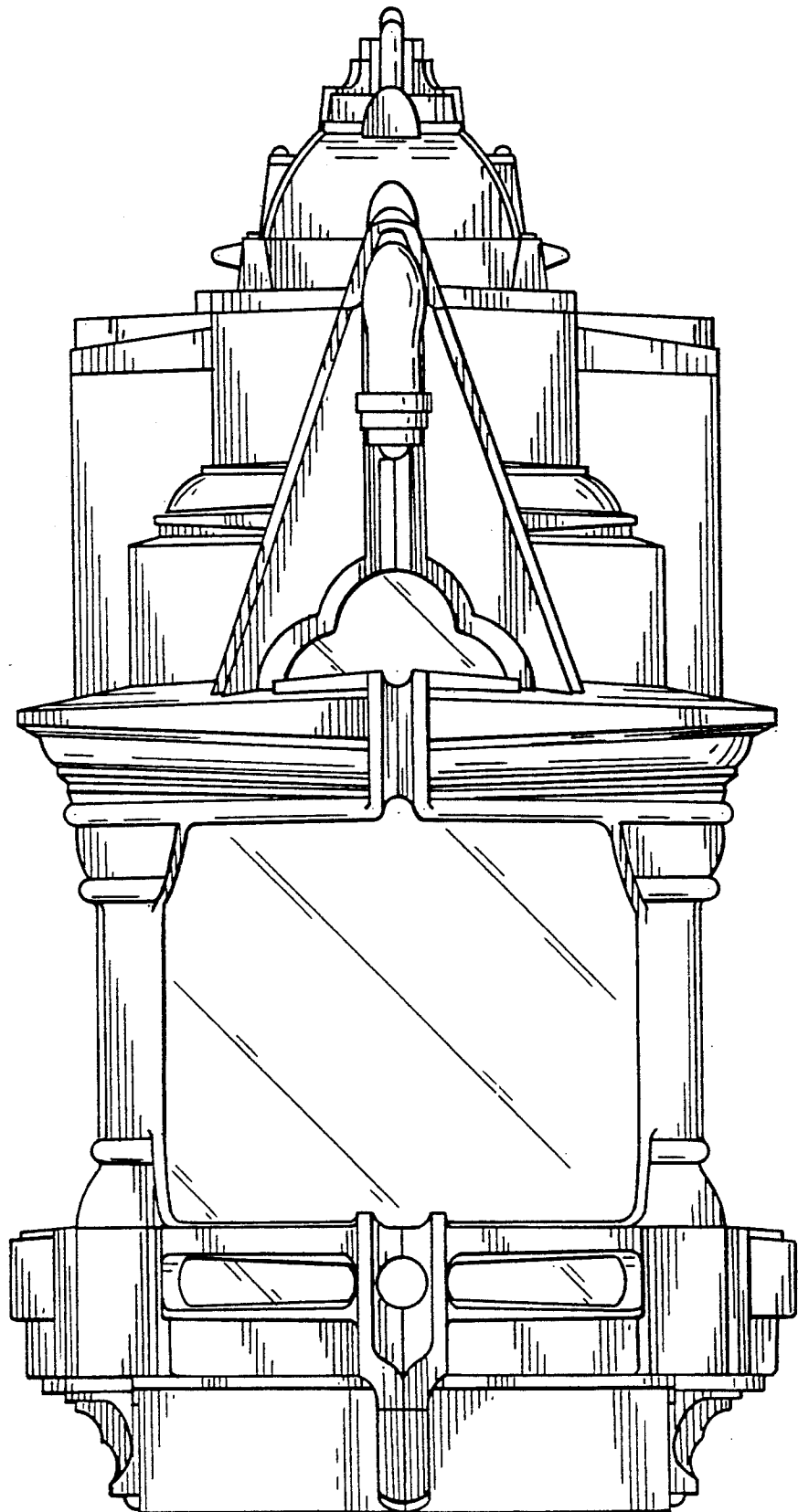


FIG. 4

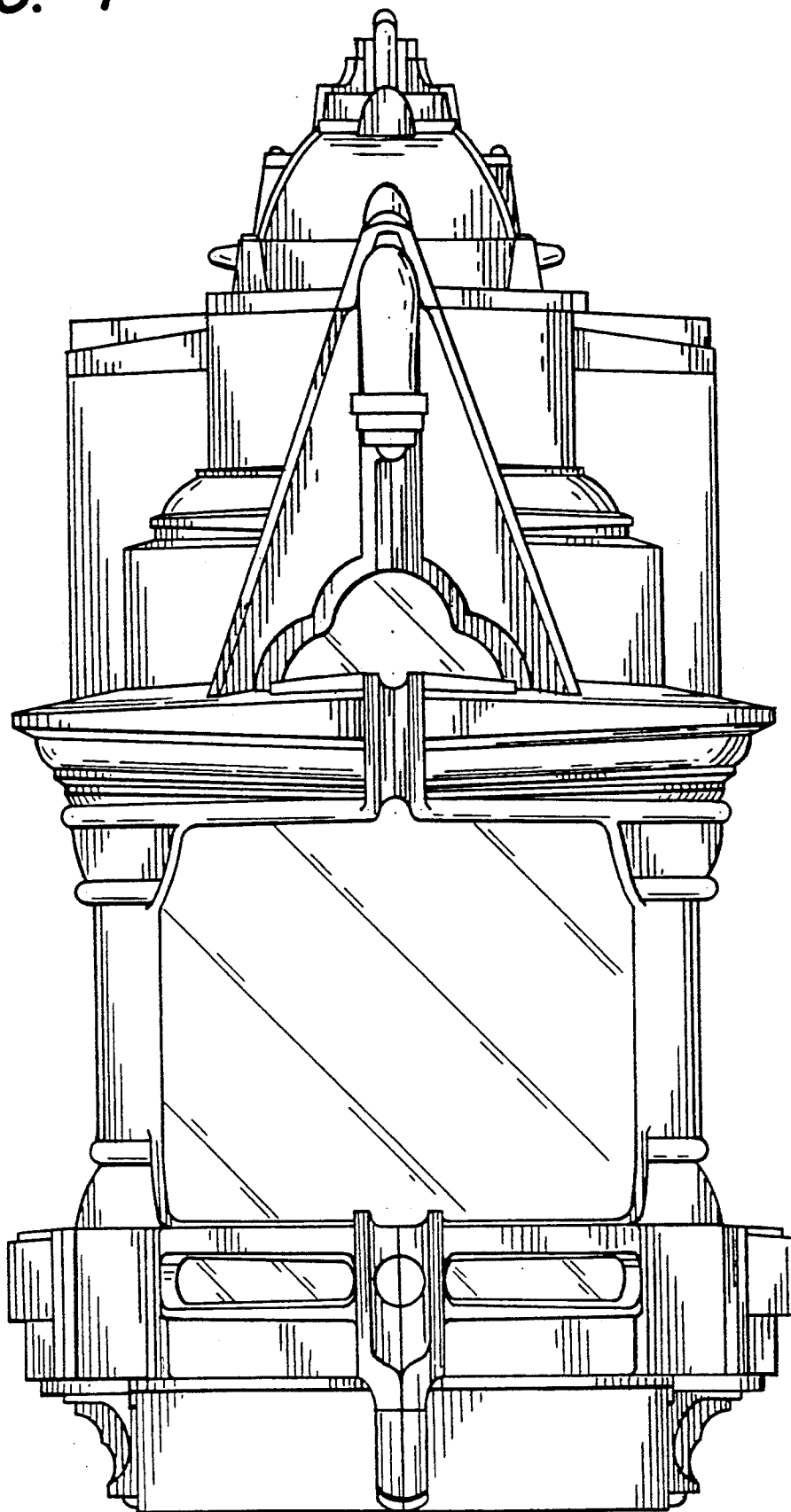


FIG. 5

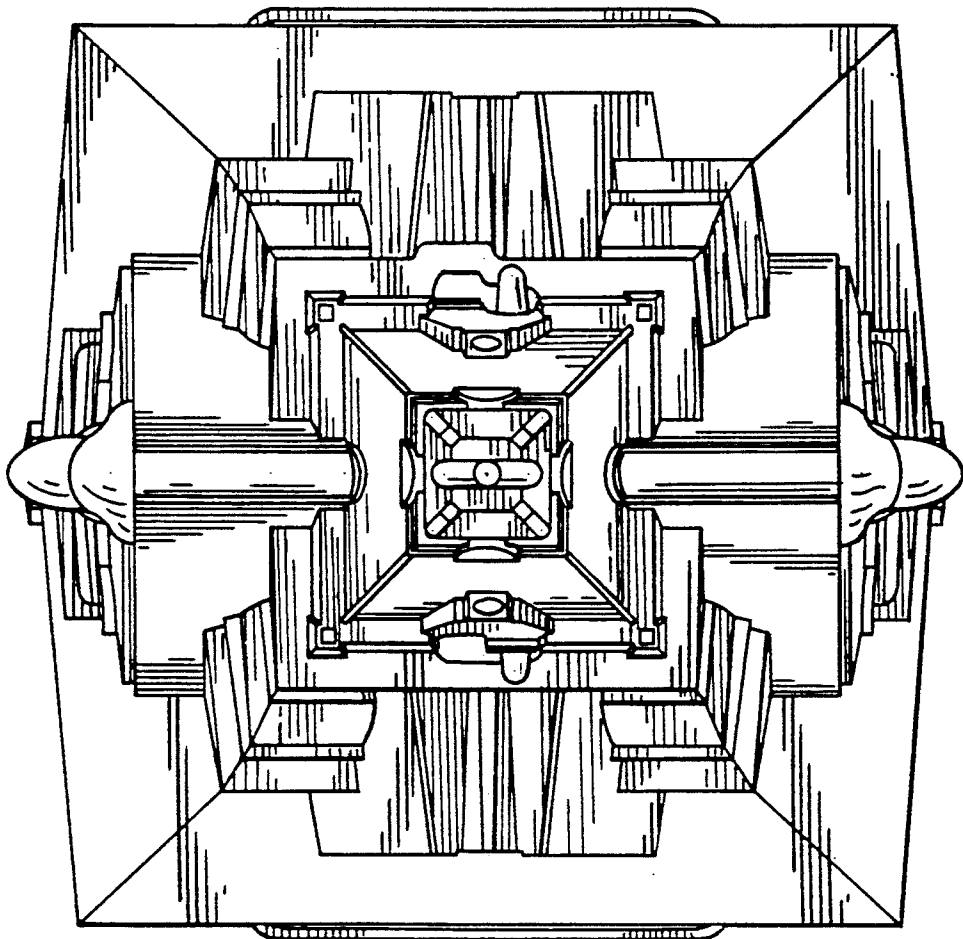


FIG. 6

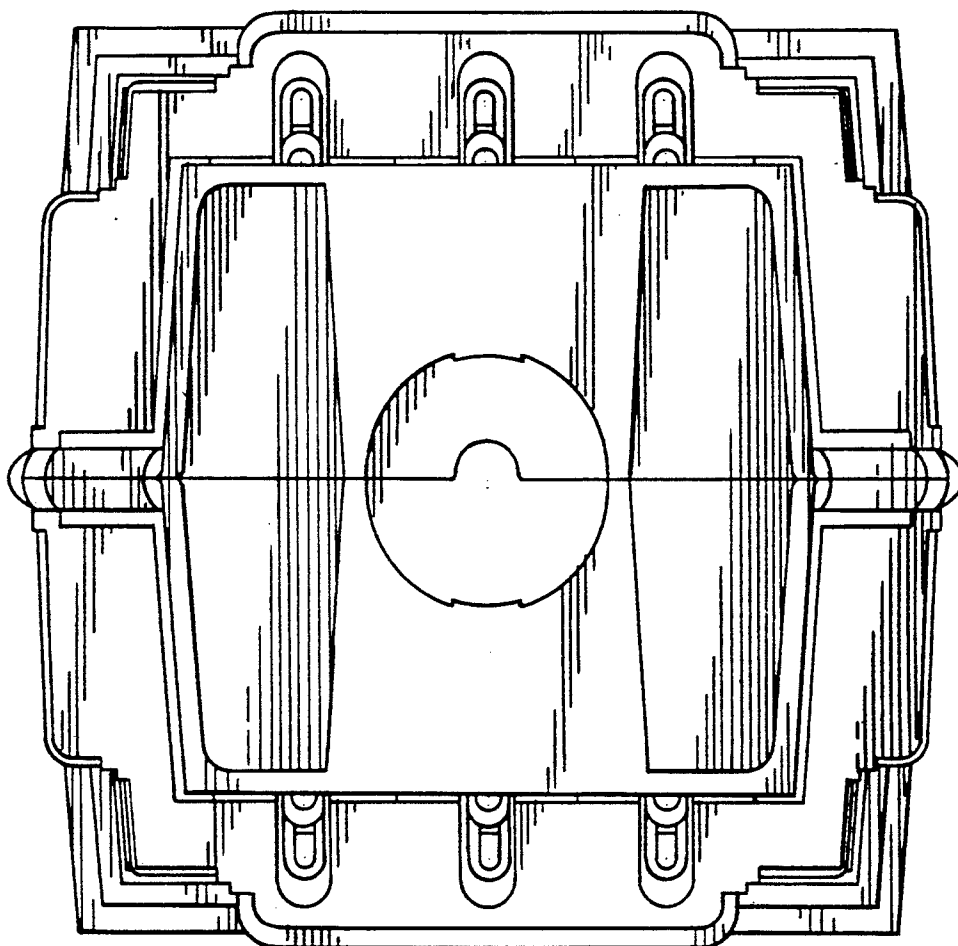


FIG. 7

