



US00D693000S

(12) **United States Design Patent**  
**Shahaf**

(10) **Patent No.:** **US D693,000 S**

(45) **Date of Patent:** **\*\* Nov. 5, 2013**

(54) **FACE MASK FOR ADMINISTERING  
MEDICAMENTS TO INFANTS**

(75) Inventor: **Daniel Shahaf**, Kibbutz Dganiya B. (IL)

(73) Assignee: **Kast Silicone, Ltd.**, Kiryat Anavim (IL)

(\*\*) Term: **14 Years**

(21) Appl. No.: **29/376,924**

(22) Filed: **Oct. 14, 2010**

(30) **Foreign Application Priority Data**

Apr. 14, 2010 (IL) ..... 49282

(51) **LOC (9) Cl.** ..... **29-02**

(52) **U.S. Cl.**  
USPC ..... **D24/110.4**

(58) **Field of Classification Search**  
USPC ..... D24/110-110.4; 128/203.29, 205.25,  
128/206.12, 206.28  
See application file for complete search history.

(56) **References Cited**

**U.S. PATENT DOCUMENTS**

D343,701 S \* 1/1994 Dahlstrand ..... D24/110.1  
D347,495 S \* 5/1994 Baldwin ..... D24/110.1

5,540,223 A \* 7/1996 Starr et al. .... 128/205.25  
D388,873 S \* 1/1998 Richards et al. .... D24/110.4  
D577,815 S \* 9/2008 Gokhale et al. .... D24/110  
D582,031 S \* 12/2008 Sorensen et al. .... D24/110.4  
D598,537 S \* 8/2009 Nashed ..... D24/110.1  
D604,832 S \* 11/2009 Smutney et al. .... D24/110

\* cited by examiner

*Primary Examiner* — Ian Simmons

*Assistant Examiner* — Richelle Shelton

(74) *Attorney, Agent, or Firm* — Whiteford, Taylor & Preston, LLP

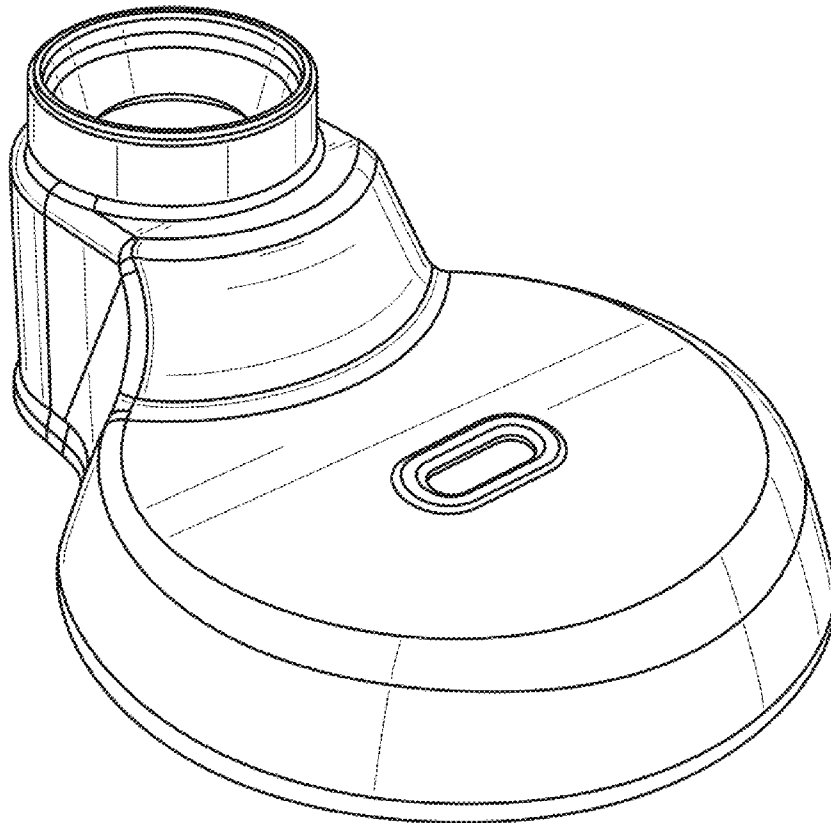
(57) **CLAIM**

The ornamental design for a face mask for administering medicaments to infants, as shown and described.

**DESCRIPTION**

FIG. 1 is a front elevational view of a face mask for administering medicaments to infants;  
FIG. 2 is a rear elevational view thereof;  
FIG. 3 is a top view thereof;  
FIG. 4 is a right side elevational view thereof;  
FIG. 5 is a left side elevational view thereof;  
FIG. 6 is a bottom plan view thereof; and,  
FIG. 7 is a bottom, front, left side perspective view thereof.

**1 Claim, 4 Drawing Sheets**



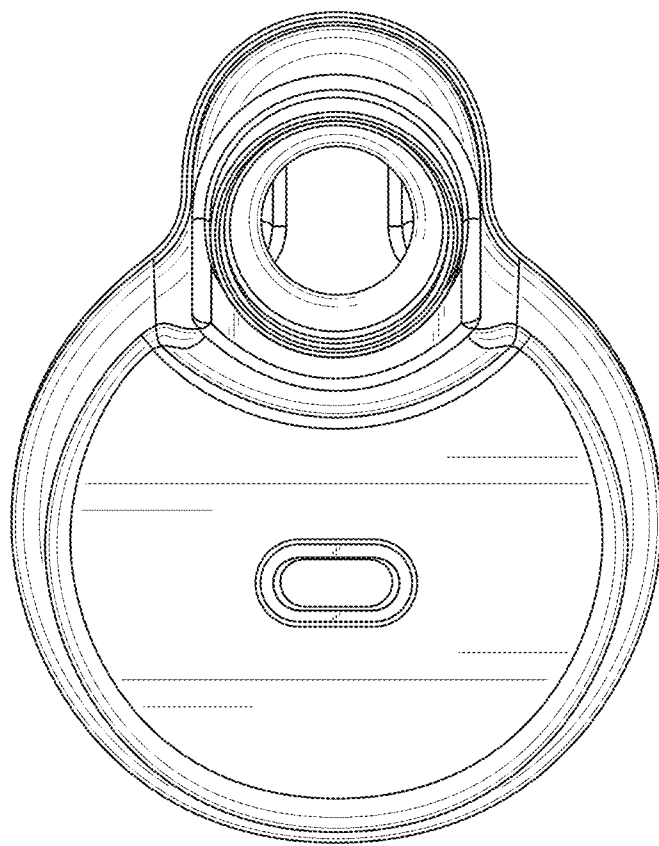


FIG. 1

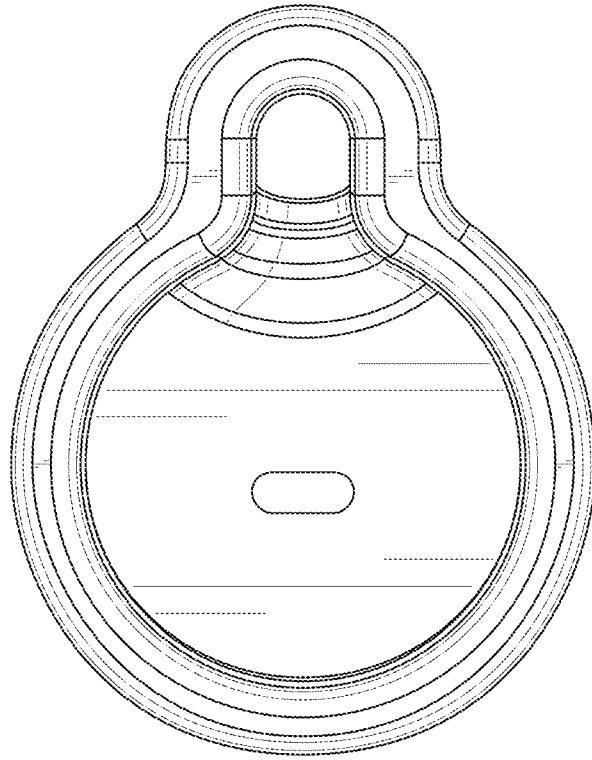


FIG. 2

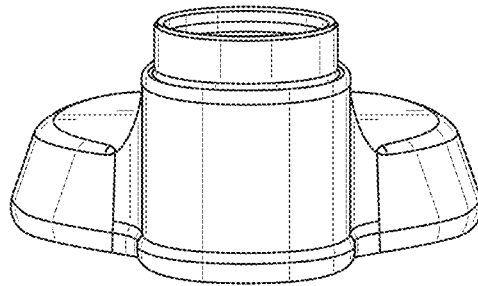


FIG. 3

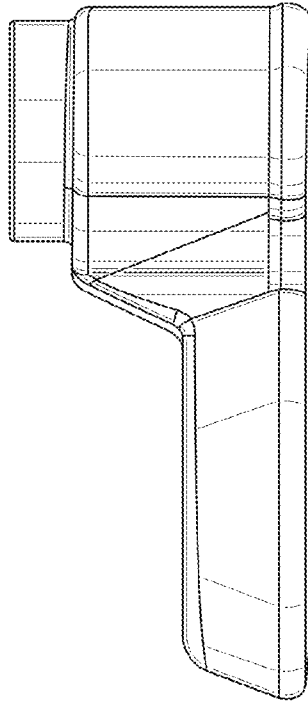


FIG. 4

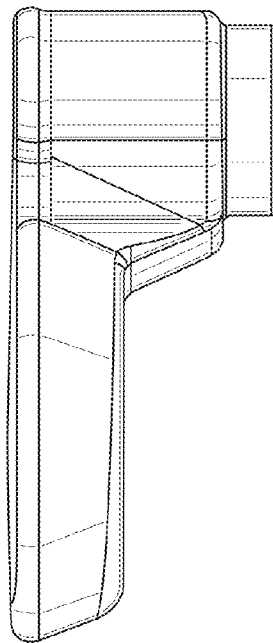


FIG. 5

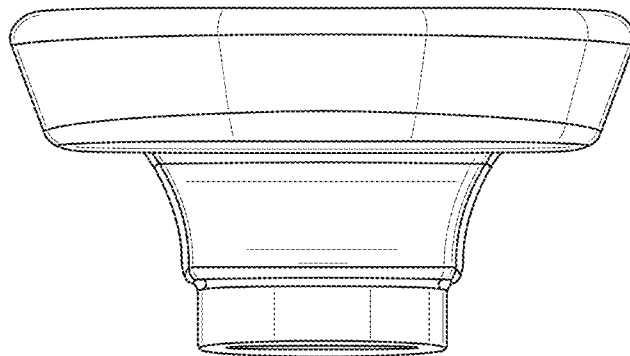


FIG. 6

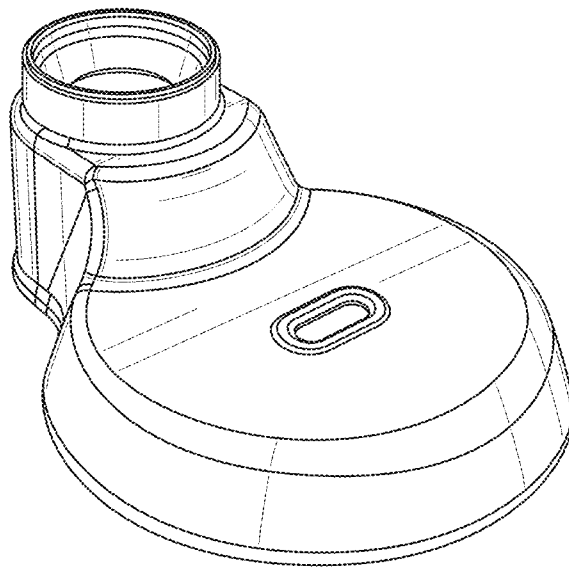


FIG. 7