

(19) World Intellectual Property Organization
International Bureau



(43) International Publication Date
13 February 2003 (13.02.2003)

PCT

(10) International Publication Number
WO 03/012895 A3

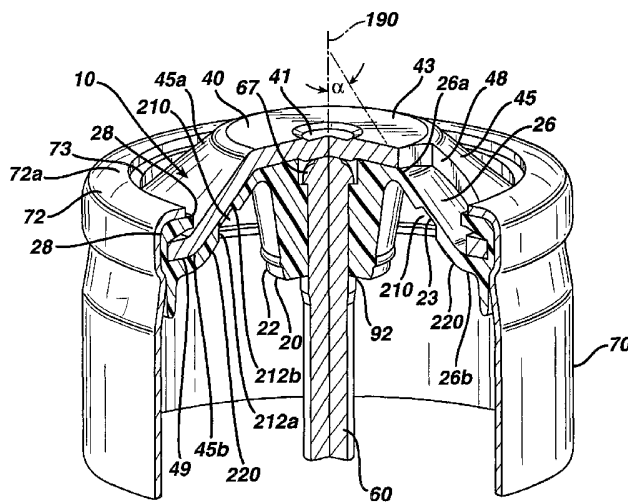
- (51) International Patent Classification⁷: H01M 2/04, 2/12
- (21) International Application Number: PCT/US02/23380
- (22) International Filing Date: 17 July 2002 (17.07.2002)
- (25) Filing Language: English
- (26) Publication Language: English
- (30) Priority Data:
09/918,072 30 July 2001 (30.07.2001) US
- (63) Related by continuation (CON) or continuation-in-part (CIP) to earlier application:
US 09/918,072 (CON)
Filed on 30 July 2001 (30.07.2001)
- (71) Applicant (for all designated States except US): THE GILLETTE COMPANY [US/US]; Prudential Tower Building, Boston, MA 02199 (US).
- (72) Inventors; and
- (75) Inventors/Applicants (for US only): DUPREY, Kevin [US/US]; 71 Auburn Rd., West Hartford, CT 06119 (US). HESSION, John, A. [US/US]; 7 Drinkwater Ave., Braintree, MA 02184 (US). YOPPOLO, Robert, A. [US/US]; 6 Fairoak Circle, New Milford, CT 06776 (US).
- (74) Agents: GALLOWAY, Peter, D. et al.; Ladas & Parry, 26 West 61st Street, New York, NY 10023 (US).
- (81) Designated States (national): AE, AG, AL, AM, AT, AU, AZ, BA, BB, BG, BR, BY, BZ, CA, CH, CN, CO, CR, CU, CZ, DE, DK, DM, DZ, EC, EE, ES, FI, GB, GD, GE, GH, GM, HR, HU, ID, IL, IN, IS, JP, KE, KG, KP, KR, KZ, LC, LK, LR, LS, LT, LU, LV, MA, MD, MG, MK, MN, MW, MX, MZ, NO, NZ, OM, PH, PL, PT, RO, RU, SD, SE, SG, SI, SK, SL, TJ, TM, TN, TR, TT, TZ, UA, UG, US, UZ, VN, YU, ZA, ZM, ZW.
- (84) Designated States (regional): ARIPO patent (GH, GM, KE, LS, MW, MZ, SD, SL, SZ, TZ, UG, ZM, ZW), Eurasian patent (AM, AZ, BY, KG, KZ, MD, RU, TJ, TM), European patent (AT, BE, BG, CH, CY, CZ, DE, DK, EE, ES, FI, FR, GB, GR, IE, IT, LU, MC, NL, PT, SE, SK, TR), OAPI patent (BF, BJ, CF, CG, CI, CM, GA, GN, GQ, GW, ML, MR, NE, SN, TD, TG).

Published:

- with international search report
- before the expiration of the time limit for amending the claims and to be republished in the event of receipt of amendments

[Continued on next page]

(54) Title: END CAP ASSEMBLY FOR AN ELECTROCHEMICAL CELL



(57) Abstract: An end cap assembly for an electrochemical cell such as an alkaline cell is disclosed. The end cap assembly comprises a convoluted metal support disk and underlying insulating sealing disk. The convoluted support disk has a downwardly extending wall with at least one aperture therethrough which preferably faces the ambient environment. The insulating disk has a slanted downwardly extending wall forming a rupturable membrane which underlies and abuts the inside surface of the downwardly extending wall of the support disk. The rupturable membrane is slanted downwardly at an acute angle with the cell's longitudinal axis. The rupturable membrane underlies and abuts the aperture in the downwardly extending wall of the end cap when gas pressure within the cell exceeds a predetermined level the rupturable membrane pushed through said aperture and ruptures allowing gas to escape therefrom to the environment. A separate terminal plate can be stacked onto the metal support disk and welded thereto.



WO 03/012895 A3



(88) Date of publication of the international search report:

16 October 2003

For two-letter codes and other abbreviations, refer to the "Guidance Notes on Codes and Abbreviations" appearing at the beginning of each regular issue of the PCT Gazette.

INTERNATIONAL SEARCH REPORT

International Application No
PCT/US 02/23380

A. CLASSIFICATION OF SUBJECT MATTER		
IPC 7 H01M2/04 H01M2/12		
According to International Patent Classification (IPC) or to both national classification and IPC		
B. FIELDS SEARCHED		
Minimum documentation searched (classification system followed by classification symbols)		
IPC 7 H01M		
Documentation searched other than minimum documentation to the extent that such documents are included in the fields searched		
Electronic data base consulted during the international search (name of data base and, where practical, search terms used)		
EPO-Internal, WPI Data		
C. DOCUMENTS CONSIDERED TO BE RELEVANT		
Category *	Citation of document, with indication, where appropriate, of the relevant passages	Relevant to claim No.
X	US 6 127 062 A (GARDNER WILLIAM H ET AL) 3 October 2000 (2000-10-03) column 3, line 15 - line 30 column 5, line 20 - line 24 ---	1, 2
A	US 6 042 967 A (GARDNER WILLIAM H ET AL) 28 March 2000 (2000-03-28) claim 1 ---	1
A	US 4 537 841 A (BOOK RONALD J ET AL) 27 August 1985 (1985-08-27) claim 1 -----	1
<input type="checkbox"/> Further documents are listed in the continuation of box C. <input checked="" type="checkbox"/> Patent family members are listed in annex.		
* Special categories of cited documents :		
A document defining the general state of the art which is not considered to be of particular relevance *E* earlier document but published on or after the international filing date *L* document which may throw doubts on priority claim(s) or which is cited to establish the publication date of another citation or other special reason (as specified) *O* document referring to an oral disclosure, use, exhibition or other means *P* document published prior to the international filing date but later than the priority date claimed *T* later document published after the international filing date or priority date and not in conflict with the application but cited to understand the principle or theory underlying the invention *X* document of particular relevance; the claimed invention cannot be considered novel or cannot be considered to involve an inventive step when the document is taken alone *Y* document of particular relevance; the claimed invention cannot be considered to involve an inventive step when the document is combined with one or more other such documents, such combination being obvious to a person skilled in the art. *&* document member of the same patent family		
Date of the actual completion of the international search		Date of mailing of the international search report
26 August 2003		03/09/2003
Name and mailing address of the ISA European Patent Office, P.B. 5818 Patentlaan 2 NL - 2280 HV Rijswijk Tel. (+31-70) 340-2040, Tx. 31 651 epo nl, Fax: (+31-70) 340-3016		Authorized officer Clement, J-P

INTERNATIONAL SEARCH REPORT

Information on patent family members

International Application No

PCT/US 02/23380

Patent document cited in search report	A	Publication date	Patent family member(s)	Publication date
US 6127062	A	03-10-2000	AU 3107299	A 18-10-1999
			CA 2325397	A1 30-09-1999
			CN 1298555	T 06-06-2001
			EP 1066655	A1 10-01-2001
			JP 2002508575	T 19-03-2002
			TW 424342	B 01-03-2001
			WO 9949526	A1 30-09-1999
<hr/>				
US 6042967	A	28-03-2000	AU 5327599	A 21-02-2000
			CA 2337071	A1 10-02-2000
			CN 1310866	T 29-08-2001
			EP 1104585	A1 06-06-2001
			JP 2002521805	T 16-07-2002
			TW 434929	B 16-05-2001
			WO 0007252	A1 10-02-2000
<hr/>				
US 4537841	A	27-08-1985	AU 562895	B2 18-06-1987
			AU 3482584	A 09-05-1985
			BE 900928	A1 15-02-1985
			BR 8405392	A 03-09-1985
			CA 1236161	A1 03-05-1988
			CH 665502	A5 13-05-1988
			DE 3436415	A1 15-05-1985
			DE 8429178	U1 30-06-1994
			ES 8607627	A1 01-11-1986
			FR 2554640	A1 10-05-1985
			GB 2152272	A, B 31-07-1985
			IT 1178183	B 09-09-1987
			JP 1851326	C 21-06-1994
			JP 5058215	B 26-08-1993
			JP 60117541	A 25-06-1985
			MX 162109	A 27-03-1991
			SG 18290	G 31-08-1990
ZA 8408040	A 25-09-1985			