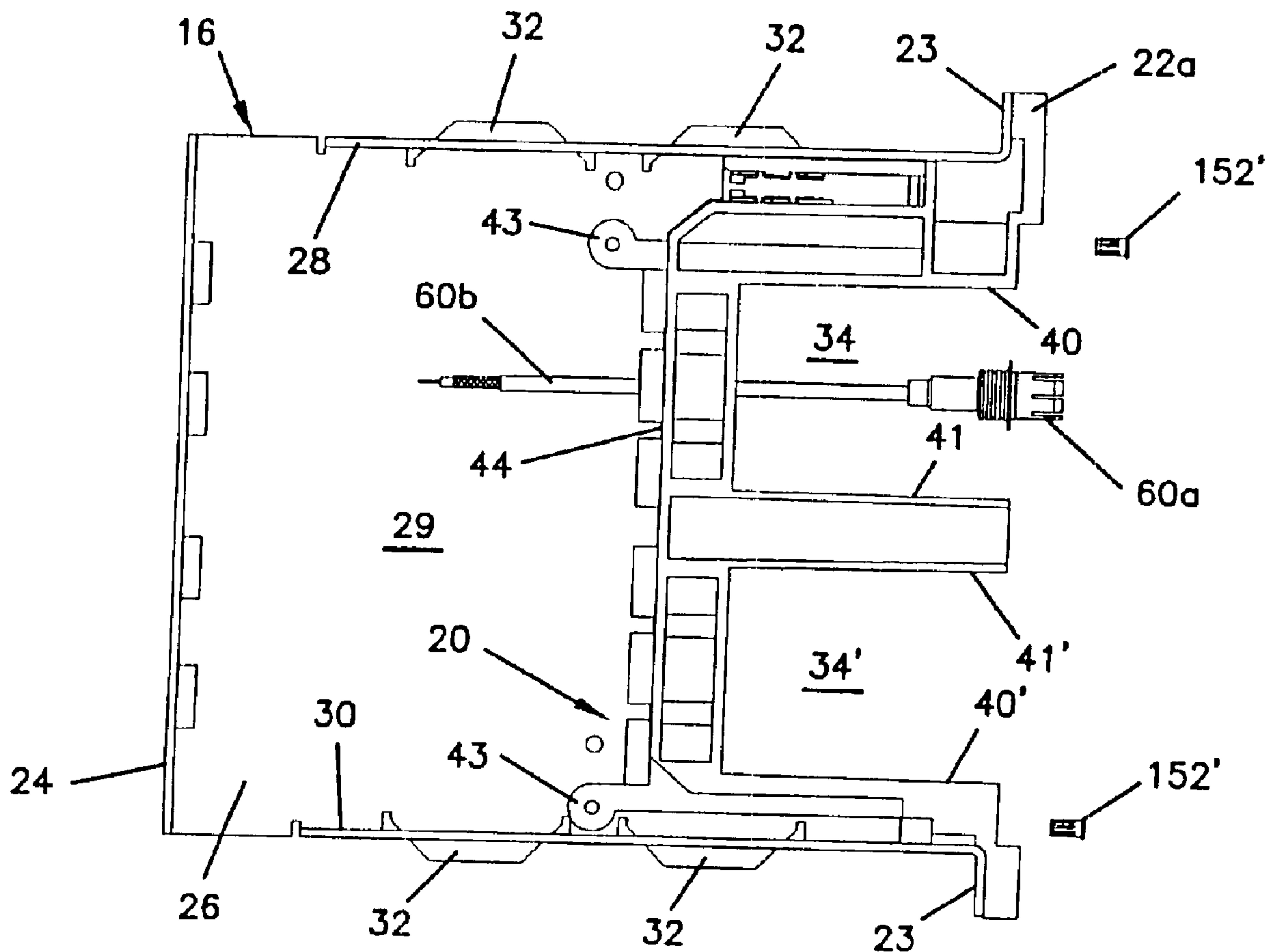




(22) Date de dépôt/Filing Date: 1998/02/23
 (41) Mise à la disp. pub./Open to Public Insp.: 1998/09/03
 (45) Date de délivrance/Issue Date: 2009/05/19
 (62) Demande originale/Original Application: 2 282 521
 (30) Priorité/Priority: 1997/02/28 (US08/808,086)

(51) Cl.Int./Int.Cl. *H01R 24/02* (2006.01),
H01R 13/66 (2006.01), *H01R 13/70* (2006.01),
H04Q 1/14 (2006.01), *H04Q 1/16* (2006.01),
H04Q 1/18 (2006.01)
 (72) Inventeurs/Inventors:
 OLSON, CYNTHIA G., US;
 BURROUGHS, DENNIS M., US
 (73) Propriétaire/Owner:
 ADC TELECOMMUNICATIONS, INC., US
 (74) Agent: ROBIC

(54) Titre : MODULE DSX A JACK AMOVIBLE
 (54) Title: DSX MODULE WITH REMOVABLE JACK



(57) Abrégé/Abstract:
 A switching coax jack module (10) contains two removable jacks (14, 14'). The jack module (10) includes a sheet metal housing (12) with a front wall (22) and a rear wall (24). An interior wall structure (20) within the housing (12) defines two recesses (34, 34')

(57) **Abrégé(suite)/Abstract(continued):**

within the housing (12) recessed from and open through the front wall (22). The interior wall structure (20) carries four sliding coax connectors (60a, 61a, 60a', 61a') with two of the four exposed within each of the recesses (34, 34'). Coax cables (60b, 61b, 60b', 61b') contained within the housing connect each of the four sliding coax connectors with individual ones of coax connectors (60, 61, 60', 61') mounted on the rear wall (24) and exposed to an exterior of the housing (12). Two switching jacks (14, 14') containing switching components (125) are slidably received within the recesses (34, 34'). Sliding connectors (112, 113) mate with the housing sliding connectors (60a, 61a, 60a', 61a'). Ports (121, 122, 123) on the front of the jacks (14, 14') are exposed through the forward wall (22). Arcuate edges (104, 106) of the jacks are complementarily shaped to arcuate grooves (84) on the interior wall structure (20) to guide the jacks into the recesses with the jack sliding connectors mating with the housing sliding connectors. The jacks and recesses are symmetrically shaped to permit identically constructed jacks to be inserted into either recess by rotating a jack about its longitudinal axis.

ABSTRACT

A switching coax jack module (10) contains two removable jacks (14, 14'). The jack module (10) includes a sheet metal housing (12) with a front wall (22) and a rear wall (24). An interior wall structure (20) within the housing (12) defines two recesses (34, 34') within the housing (12) recessed from and open through the front wall (22). The interior wall structure (20) carries four sliding coax connectors (60a, 61a, 60a', 61a') with two of the four exposed within each of the recesses (34, 34'). Coax cables (60b, 61b, 60b', 61b') contained within the housing connect each of the four sliding coax connectors with individual ones of coax connectors (60, 61, 60', 61') mounted on the rear wall (24) and exposed to an exterior of the housing (12). Two switching jacks (14, 14') containing switching components (125) are slidably received within the recesses (34, 34'). Sliding connectors (112, 113) mate with the housing sliding connectors (60a, 61a, 60a', 61a'). Ports (121, 122, 123) on the front of the jacks (14, 14') are exposed through the forward wall (22). Arcuate edges (104, 106) of the jacks are complementarily shaped to arcuate grooves (84) on the interior wall structure (20) to guide the jacks into the recesses with the jack sliding connectors mating with the housing sliding connectors. The jacks and recesses are symmetrically shaped to permit identically constructed jacks to be inserted into either recess by rotating a jack about its longitudinal axis.

DSX MODULE WITH REMOVABLE JACK

I. BACKGROUND OF THE INVENTION

1. Field of the Invention

5 This invention pertains to switching jacks for the telecommunication and data and video transmission industries. More particularly, this invention pertains to a module containing removable switching jacks.

2. Description of the Prior Art

10 In the telecommunications industry, modules having switching jacks for performing inter-connect and cross-connect functions are well known. An example of such is shown in U.S. Patent 4,815,104 to Williams et al dated March 21, 1989. With reference to FIG. 5 of the '104 Patent, jacks 144 are mounted in the interior of a housing and permanently connected to cables 82,84,86,88 which extend rearwardly from the jacks to connectors 74,76,78 and 80 on a rear panel of the module housing.

15 The jacks used in inter-connect and cross-connect modules are well known switching jacks. In addition to those shown in U.S. Patent 4,815,104, switching coax jacks are disclosed in U.S. Patent 4,749,968 to Burroughs dated June 1988, U.S. Patent 5,348,491 to Louwagie et al dated September 20, 1994 and U.S. Patent 5,246,378 to the Seiceanu dated September 21, 1993. Both of the '491 and '378 patents teach jack modules which include not only switching components but
20 monitor ports for permitting monitoring functions without signal interruption.

From time to time, switching jacks may fail. While this is a low probability event, it requires replacement of the switching jack. In designs such as that of U.S. Patent 4,815,104, the entire jack module must be replaced in the event of the failure of any one of the two switching jacks.

25 It is undesirable to have to remove the entire jack module in the event of the failure of one of the two switching jacks within the jack module. Further, as telecommunications facilities are being developed, it is desirable to pre-cable and install modules without the need for having switching jacks present during the cabling. For example, with reference to U.S. Patent 4,815,104, the module is
30 installed in a cabinet and telecommunications equipment is secured to the module by coax cables coupled to the connectors on the rear panel of the module. The forward ports on the module permit access to the circuit as desired. However, normal operation proceeds without any access occurring.

35 When being developed, telecommunications equipment facilities find economies in the ability to cable-up modules during the development of the facilities

prior to the modules actually being needed for use. However, this is a very expensive procedure since the switching jack modules are idle for a substantial period of time. If the jacks were separate from the module, the modules could be pre-installed without jacks during the facilities development phase and jacks could be added to the modules as the circuit requirements of the facility grew.

It is an object of the present invention to provide
10 DSX modules with removable switching jacks.

According to the present invention, there is provided a coax jack module housing for use with first and second jacks, each jack having:

- A. a jack body (100) having a front wall (111) and a rear wall (110) and a width having a first transverse dimension (Z-Z), said body (100) further having upper and lower edges (104, 106);
- B. first and second mating connectors (112, 113) disposed on said rear wall (110) of said jack body (100) with an
20 axis between said upper and lower edges (104, 106) parallel with a second transverse dimension (Y-Y);
- C. said jack body (100) including first and second forward ports (122, 123) on said front wall (111) for receiving a jack plug;
- D. a switching circuit (125) within said body (100) for normally electrically connecting said mating connectors (112, 113) in the absence of a plug in either of said ports (122, 123) and for opening said connection upon insertion of a plug into either of said ports (122, 123), said coax
30 jack module housing comprising:

2a

A. a housing (12) containing a single digital signal cross-connect (DSX) circuit, said housing (12) having:

(a) a front end (22), a rear end (24), a side wall (26) and top and bottom walls (28, 30) cooperating to define a housing interior (29) and with said housing (12) having a longitudinal axis (X-X) from said front end (22) to said rear end (24) and with said housing (12) having said first transverse dimension (Y-Y) extending between said top and bottom walls (28, 30) and said second transverse dimension (Z-Z) orthogonal to said first transverse dimension (Y-Y) and said axis (X-X) and with said second transverse dimension (Z-Z) being smaller than either of said first transverse dimension (Y-Y) and said axis (X-X);

(b) said housing (12) having interior walls (40, 41, 41', 42, 44) within said interior (29) defining first and second recesses (34, 34') linearly aligned along said first transverse dimension (Y-Y) at said front end (22) and with an unobstructed access through said front end (22) to said recesses (34, 34');

(c) said circuit including circuit components contained within said housing (12) and completely within said second transverse dimension (Z-Z), said circuit components including:

10

20

30

2b

- (1) first and second pairs of first and second coax cable connectors (60, 61, 60', 61') secured to said rear end (24) for connection to coax cables external of said housing (12), said first and second pairs of first and second coax cable connectors (60, 61, 60', 61') disposed linearly aligned along said first transverse dimension (Y-Y) at said rear end (24);
- 10 (2) first and second pairs of first and second sliding coax connectors (60a, 61a, 60a', 61a') mounted within said interior (12);
- (3) first and second pairs of first and second coax conductors (60b, 61b, 60b', 61b') disposed within said interior (29) and connecting said first and second coax cable connectors (60, 61, 60', 61') with respective ones of said first and second sliding connectors (60a, 61a, 60a', 61a');
- 20 (4) each of said sliding coax connectors (60a, 61a, 60a', 61a') adapted to slidably receive an individual one of said mating connectors (112, 113) moving along a path of travel toward mating ends of said sliding coax connectors (60a, 61a, 60a', 61a'), said path of travel being parallel to said longitudinal axis (X-X);
- (5) said first and second pairs of said sliding coax connectors (60a, 61a, 60a', 61a') mounted within said first and second recesses (34, 34'), respectively, in a
- 30

2c

linear array along said first transverse dimension (Y-Y) and with each of said sliding coax connectors (60a, 61a, 60a', 61a') mounted with said mating ends spaced from said front end (22) by a recessed distance and positioned and exposed to said first and second recesses (34, 34') to slidably receive one of said mating connectors (112, 113) moving in said path of travel from said front end (22) and parallel to said longitudinal direction (X-X);

10

(6) said sliding connectors of each of said first and second pairs of said sliding coax connectors (60a, 61a, 60a', 61a') spaced apart by a transverse distance parallel to said first transverse dimension (Y-Y);

20

B. said interior walls (40, 41, 41', 42, 44) of said housing (12) having cooperating guides (40) for guiding said jacks (14, 14') into said recesses (34, 34') with said jacks (14, 14') moving in the path of travel and with the mating connectors (112, 113) aligned with the sliding connectors (60a, 61a, 60a', 61a');

C. said front end including a front wall portion (22a);

D. a cover (102) on said front wall (111) disposed to align with said wall portion (22a) when each of said jack bodies (100) is received within said recess with said mating connectors (112, 113) mated with said sliding coax connectors (60a, 61a).

2d

According to the present invention, there is also provided a coax jack module housing for use with first and second jacks, each jack having:

A. a jack body (100) having a front wall (111) and a rear wall (110) and a width having a first transverse dimension (Z-Z), said body (100) further having upper and lower edges (104, 106);

10 B. first and second mating connectors (112, 113) disposed on said rear wall (110) of said jack body (100) with an axis between said upper and lower edges (104, 106) parallel with a second transverse dimension (Y-Y);

C. said jack body (100) including first and second forward ports (122, 123) on said front wall (111) for receiving a jack plug;

D. a switching circuit (125) within said body (100) for normally electrically connecting said mating connectors (112, 113) in the absence of a plug in either of said ports (122, 123) and for opening said connection upon insertion of a plug into either of said ports (122, 123), said coax
20 jack module housing comprising:

A. a housing (12) containing a single digital signal cross-connect (DSX) circuit, said housing (12) having:

(a) a front end (22), a rear end (24), a side wall (26) and top and bottom walls (28, 30) cooperating to define a housing interior (29) and with said housing (12) having a longitudinal axis (X-X) from said front end (22) to said rear end (24) and with said housing (12) having said first transverse dimension (Y-Y) extending between said top
30

2e

and bottom walls (28, 30) and said second transverse dimension (Z-Z) orthogonal to said first transverse dimension (Y-Y) and said axis (X-X) and with said second transverse dimension (Z-Z) being smaller than either of said first transverse dimension (Y-Y) and said axis (X-X);

10 (b) said housing (12) having interior walls (40, 41, 41', 42, 44) within said interior (29) defining first and second recesses (34, 34') linearly aligned along said first transverse dimension (Y-Y) at said front end (22) and with an unobstructed access through said front end (22) to said recesses (34, 34');

(c) said circuit including circuit components contained within said housing (12) and completely within said second transverse dimension (Z-Z), said circuit components including:

20 (1) first and second pairs of first and second coax cable connectors (60, 61, 60', 61') secured to said rear end (24) for connection to coax cables external of said housing (12), said first and second pairs of first and second coax cable connectors (60, 61, 60', 61') disposed linearly aligned along said first transverse dimension (Y-Y) at said rear end (24);

30 (2) first and second pairs of first and second sliding coax connectors (60a, 61a, 60a', 61a') mounted within said interior (12);

2f

- (3) first and second pairs of first and second coax conductors (60b, 61b, 60b', 61b') disposed within said interior (29) and connecting said first and second coax cable connectors (60, 61, 60', 61') with respective ones of said first and second sliding connectors (60a, 61a, 60a', 61a');
- 10 (4) each of said sliding coax connectors (60a, 61a, 60a', 61a') adapted to slidably receive an individual one of said mating connectors (112, 113) moving along a path of travel toward mating ends of said sliding coax connectors (60a, 61a, 60a', 61a'), said path of travel being parallel to said longitudinal axis (X-X);
- 20 (5) said first and second pairs of said sliding coax connectors (60a, 61a, 60a', 61a') mounted within said first and second recesses (34, 34'), respectively, in a linear array along said first transverse dimension (Y-Y) and with each of said sliding coax connectors (60a, 61a, 60a', 61a') mounted with said mating ends spaced from said front end (22) by a recessed distance and positioned and exposed to said first and second recesses (34, 34') to slidably receive one of said mating connectors (112, 113) moving in said path of travel from said front end (22) and parallel to said longitudinal direction (X-X);
- 30

2g

(6) said sliding connectors of each of said first and second pairs of said sliding coax connectors (60a, 61a, 60a', 61a') spaced apart by a transverse distance parallel to said first transverse dimension (Y-Y);

10 B. said interior walls (40, 41, 41', 42, 44) of said housing (12) having cooperating guides (40) for guiding said jacks (14, 14') into said recesses (34, 34') with said jacks (14, 14') moving in the path of travel and with the mating connectors (112, 113) aligned with the sliding connectors (60a, 61a, 60a', 61a'), wherein said cooperating guides includes said walls being shaped complementary to said upper and lower edges of said jack body.

II. SUMMARY OF THE INVENTION

According to a preferred embodiment of the present invention, a switching coax jack module is disclosed which includes a housing unit having walls defining an interior. Interior walls define first and second recesses disposed along the front end of the module. Coax cable connectors are secured to an end wall of the housing and sliding coax connectors are mounted on the interior walls in communication with the recesses. Coax cables connect the sliding coax connectors with the coax cable connectors on the end walls. Each of the sliding coax connectors is adapted to slidably receive an individual one of a mating connector. Jack devices are provided each having a jack body sized to be received within the recesses. Mating connectors are provided on rear walls of the jack bodies and positioned to slidably mate with the sliding coax connectors as the jack body is inserted into the recess.

III. A BRIEF DESCRIPTION OF THE DRAWINGS

FIGURE 1 is a side elevation view of a module according to the present invention for use in an interconnect application;

FIGURE 2 is front elevation of the module in FIG. 1;

FIGURE 3 is a rear elevation view of the module of FIG. 1;

FIGURE 4 is a side elevation view of a housing for use in the module of

2h

FIG. 1 and showing a sliding coax connector attached to a coax cable;

FIGURE 5 is an exploded view of the sliding coax connector and attached cable of FIG. 4;

FIGURE 6 is a rear perspective view of an internal wall structure of the housing of FIG. 4;

FIGURE 7 is a front perspective view of the wall structure of FIG. 6;

FIGURE 8 is a side elevation view of the wall structure of FIG. 6;

FIGURE 9 is a view taken along a line 9-9 of FIG. 8;

FIGURE 10 is a side sectional view of the wall structure of FIG. 6;

FIGURE 11 is a rear perspective view of the housing shown in FIG. 4;

FIGURE 12 is a side elevation view of the housing of FIG. 11;

10

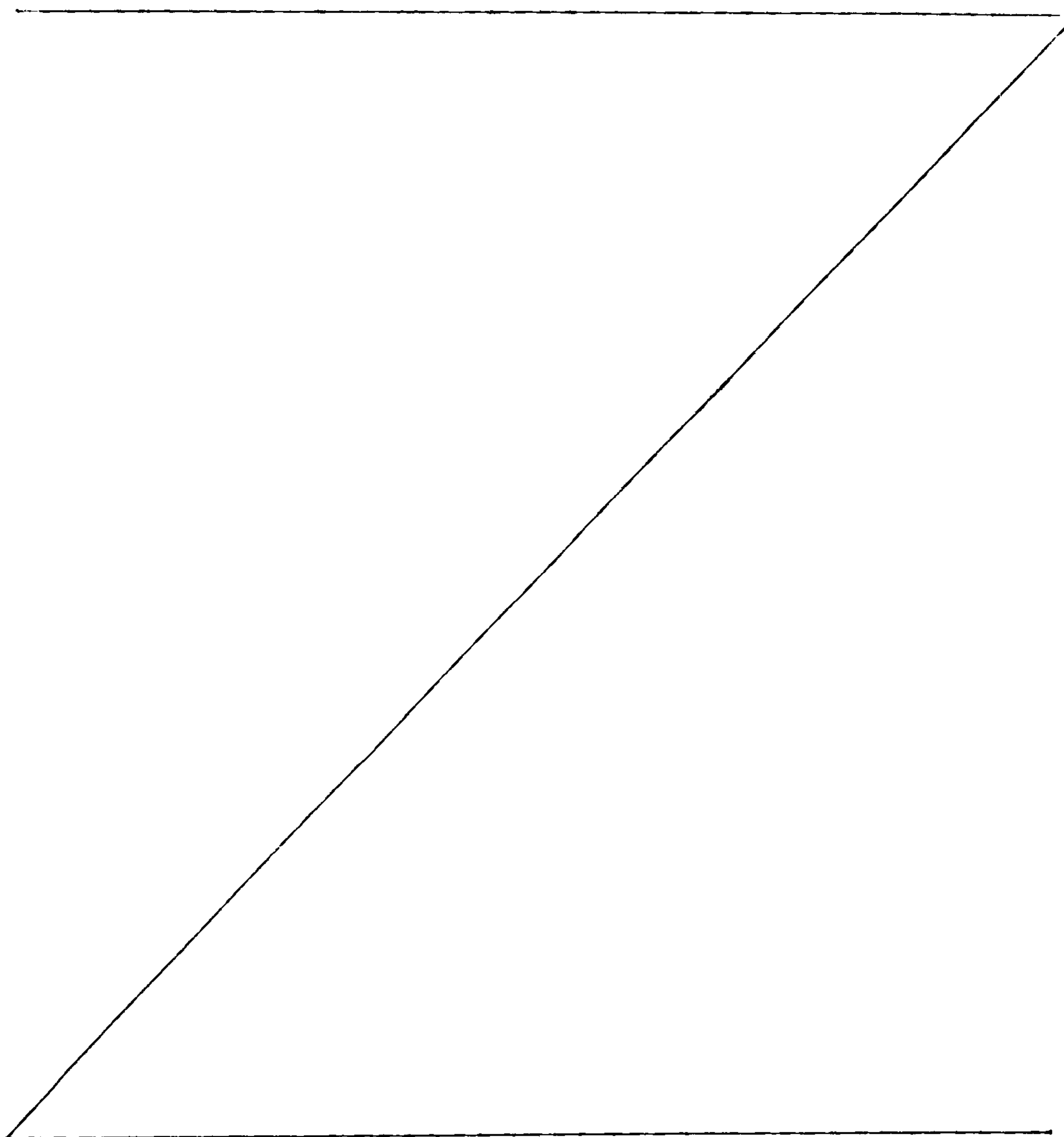


FIGURE 13 is a rear elevation view of housing of FIG. 11;

FIGURE 14 is a rear perspective view of a jack device (less front panel) for use in the module of FIG. 1;

5 FIGURE 15 is a side elevation view of the jack device of FIG. 14 with a cover member removed to expose internal components;

FIGURE 16 is an electrical schematic of the jack device of FIG. 14;

FIGURE 17 is a front elevation view of the jack device of FIG. 14;

FIGURE 18 is a partial sectional side elevation view of the jack device of FIG. 14;

10 FIGURE 19 is rear elevation view of the jack device of FIG. 14;

FIGURE 20 is a front perspective view of a front panel for the jack device of FIG. 14; and

FIGURE 21 is a rear perspective view of the front panel of FIG. 20;

IV. DESCRIPTION OF THE PREFERRED EMBODIMENT

15 Referring now to the several drawing figures in which identical elements are numbered identically throughout, a description of a preferred embodiment of the present invention will now be provided.

20 With initial reference to FIGS. 1-3, a jack module 10 is shown including a housing unit 12 and two jack devices (or, more simply, jacks) 14,14'. As will be more fully described, the jacks 14,14', are individually removable from the housing unit 12. The housing has a front end 22, a rear end 24, a side wall 26 and top and bottom walls 28, 30. The walls 28,30,24,22, and side wall 26 define a housing interior 29.

25 In the embodiment of FIGS. 1-3, the jack module 10 is an interconnect module for interconnect applications. As such it does not include tracer lamps and pin jacks commonly found in modules for cross-connect applications. It will be appreciated that the present invention can be utilized for both inter-connect and cross-connect applications as well as other uses.

30 The housing unit 12 includes a sheet metal housing 16 (most clearly shown in FIGS. 4 and 11-13), together with an internal wall structure 20 (separately shown in FIGS. 6-10).

35 A longitudinal axis X-X (FIG. 1 only) extends from the front wall 22 to the rear wall 24 with the top and bottom walls 28,30 being parallel to the longitudinal axis X-X. Best shown in FIG. 2, the front end 22 extends in a first transverse dimension Y-Y perpendicular to axis X-X and has a transverse width Z throughout the length of axis Y-Y. The interior wall structure 20 is positioned within the interior 29 and contained within the width dimension Z.

The top and bottom walls 28,30 include rails 32 to be received within aligned grooves (not shown) of a chassis (not shown) into which the housing 12 may be inserted in side-by-side relation to similarly constructed modules contained within the same chassis. The front wall has mounting tabs 23 for attachment to a chassis.
5 Mounting blocks 25 having mounting screws 27 passing through tabs 23.

The housing contains the interior wall structure 20 which defines two recesses 34,34' (FIG. 4) which are linearly aligned along the axis Y-Y and open to the front end 22.

The interior wall structure 20 is best shown in FIGS. 6-10 and includes
10 parallel spaced apart guide rails 40,41,40' and 41' which are parallel to axis X-X and spaced apart to define the recesses 34,34'. The walls 40,40',41, 41' are joined by an end wall 44. Further, extending from walls 40,40' are front wall portions 22a,22b, which define the front wall 22 of the housing 12. Each of the rails 40,40',41,41' is spaced back from the front wall portions 22a,22b to define a recess 42 (FIG. 8).

15 A support 50 is attached to wall 40 for supporting a tracer lamp and pin jack (not shown) as are customarily used in cross-connect applications to permit tracer lamps and pin jacks to be inserted within the structure 50 and accessed through the wall 22a for cross-connect applications.

The side wall 26 of the housing has a cutout 45 (FIGS. 11 and 12) at the
20 forward end. The wall structure 20 is mounted with screws received within bosses 43 and with the rear wall 44 aligned with the edge of the cutout 45.

Coax connectors 60,61,61',60' are secured to the rear wall 24 for attachment to coaxial cables. The connectors 60,61,60',61' are well known BNC connectors in a preferred embodiment.

25 Pairs of identical sliding coax connectors 60a,61a,60a',61a' are mounted to the rear wall 44. Connectors 60,60a; 61,61a; 60',60a' and 61',61a' are joined by coaxial cables 60b,60b',61b,61b' completely contained within the interior 29 of the housing as best shown in FIG. 1.

Each of the mating sliding coax connectors is identical. For ease of
30 illustration, connector 60a is best shown with reference to FIGS. 4 and 5. The connector 60a includes fingers 62 which are resilient spring contacts disposed in a cylindrical array mounted to a mandrel 64 and a hub 66. The hub 66 can be press fit within holes formed in the rear wall 44. A center pin 68 is contained within a dielectric spacer 70 and disposed within the hub 66 with the center pin 68 centrally
35 positioned surrounded by the fingers 62.

A cable 60b is secured to the sliding connector with a center conductor 72 of cable 60b received within the pin 68 and with the groundshield 74 and jacket 76 of the cable 60b secured to the mandrel 64 by a crimp sleeve 78.

Best shown in FIG. 10, the rear wall 44 contains three holes 81,82,83,81',82',83' for each of the recesses 34,34'. The holes 81,82,83,81',82',83' include a center hole 82,82' having an axis parallel to and centrally positioned between walls 40,41 and 40',41'. Remaining holes 81,83; 81',83' are parallel to and equally spaced from holes 82,82' on opposite sides thereof. All of the holes in the rear wall 44 are disposed in a linear array along the dimension of the axis Y-Y.

For reasons that will become apparent, each of walls 40,41,40',41' is arcuate in cross-section and includes opposing surfaces such that wall 40 arcs toward and opposes wall 41 and wall 40' opposes and arcs toward wall 41'. The walls have opposing linear grooves 84 (FIG. 9) extending the lengths of the walls.

Concentric with each of holes 81-83 and 81'-83', the wall 44 has bores 81a-83a and 81a'-83a' as shown in FIG. 9. The bores 81a-83a, 81a'-83a' are sized for each to pass a standard BNC connector for purposes that will become apparent.

The fingered contacts 62 of the sliding connector 60a,61a,60a' and 61a' are sized to be slidably engaged on the interior of a standard BNC connector as the BNC connector is inserted into bores 82a,83a,82a' and 83a', respectively, and urged toward the sliding connector. Sliding connectors and mating connectors are shown in operation in FIGS. 17 and 18 of commonly assigned U.S. Patent 5,214,673 to Morgenstern et al dated May 25, 1993.

The jack 14,14' are identical and include a jack body 100 and a cover plate 102. The jack body 100 is shown separately in FIGS. 14-19. The jack body 100 includes left and right shells 101 which are joined at a part line 103. The jack body has a width approximately equal to the transverse dimension Z (FIG. 2). The height of the body is equal to the spacing between opposing walls 40,41 and 40',41'. The upper and lower edges 104,106 of the body are complimentary shaped to the shaping of the walls 40,41,40',41' and include a flange 108 to be received within the grooves 84 of the walls 40,41,40',41'.

A rear end 110 of the body is provided with BNC connectors 112,113 which are sized to fit within the bores 81a-83a, 81a'-83a'. Accordingly the BNC connectors 112,113 are mating sliding connectors such that the fingers 62 of the sliding connectors 60a,61a,60a',61a' are received within the interior of the BNC connectors 112,113 and urge against the interior cylindrical wall of the BNC connectors 112,113. Best shown in FIGS. 18 and 19, each of the BNC connectors 112,113 includes an internal center pin 112a,113a which is hollow to receive the solid center pin 68 of the sliding connectors 60a,61a,60a',61a' when the BNC connector is slidably coupled with the sliding connector.

The forward wall 111 of the jack body 100 includes three ports 121,122,123 including two ports 122,123 aligned with each of the BNC connectors 112,113.

Each of the ports 121-123 expose an interior center conductor 121a-123. An OUT center conductor 122a extends through the center port 122 and is electrically connected to the center pin 112a the rear BNC connector 112. An IN center conductor 123a extends from the lower port 123 and the center conductor 113a of the lower BNC connector 113. A switching circuit 125 is provided between the two center conductors 122a,123a such that insertion of a plug into either of the ports 122,123 terminates a normal electrical connection between the BNC connector locations 112,113 and isolates the opposite center conductor to ground.

The third port 121 includes a center conductor 121a connected across to resistance 126 to the OUT conductor 122a. Insertion of a plug into the third port 121 permits monitoring of a signal on the OUT center conductor 122a without interrupting flow of a signal from the middle BNC connector 112 to the lower BNC connector 113.

The jack 100 is electrically conductive to provide a groundshield for internal circuit components. It will be appreciated that jacks with such internal circuitry are well known in the art and examples of such are shown in U.S. Patent 5,348,491.

The forward end 111 of the jack includes flats 130 disposed on both sides of the jack 100 between the ports 121-123. The flats 130 have threaded bores 130a for receiving screws 132 (FIG. 1).

The dielectric cover 102 is shown in FIGS. 20 and 21 and includes three holes 121b,122b,123b to be aligned with the ports 121-123 such that the cover 102 can be slid over the ports 121-123 onto the front end 111 of the jack 100. Holes 130b on the sides of the covers 102 permit the passage of the threaded screw 132 through the front plate 102 and into the holes 130a on the sides of the jack 100 to securely fasten the front cover 102 to the front 111 of the jack 100.

The front cover 102 is provided with flanges including an upper flange 150 sized to be received within the recess 42. A hole 151 is passed through the flange 150 and aligned with a threaded insert 152,152' (FIG. 4) in the recess 42. As a result, a screw 154 (FIG. 2) can be removably replaced into the holes 151,152 to removably secure the jack 14 to the module 10.

A second flange 160 protrudes along an opposite side of the front plate 102. The flanges 150,160 are sized such that when two jacks 14,14' are placed within the recesses as illustrated in FIG. 1, the front plates 102 are received within the recesses 42 and form a continuous plastic plate along the front edge 22.

It will be noted that the rear wall 44 of the interior wall structure 20 includes three holes per recess including a centrally positioned hole 82,82' and the remaining holes 81,81',83,83' being symmetrical about the centrally positioned hole 82,82'. Three holes are utilized to permit modification of the design to include a monitor

BNC mating connector off of the rear end 110 of the jack 100 to couple with a monitor sliding connector which could be added into the third hole to permit monitoring capabilities off of the rear end 24 of the module 10. Also, three holes are provided to permit the manufacturer of an end wall symmetrical about axis X-X.

5 The positioning of the holes on the rear wall 44 and their relative spacing is selected to be symmetrical about the axis of the center hole 82,82'. Further, the rear BNC 112 is selected to be positioned along the center line between the top and bottom edges 104,106 of the jack. As a result, the center BNC 112 connects with the center hole 82,82' sliding connector whenever the jack is rotated 180 degrees
10 about it's longitudinal axis. Accordingly, the jack can be fitted into either of the upper or lower recesses 34,34' without the need for a separate inventory of different jacks for the upper and lower recesses. The front plates may be provided with silk screening or other indicators which may be rotated as desired to provide an indication to an operator of the various functions of the ports.

15 With the devise thus described, an individual jack may be removed and replaced without the need for removal of the other jack within the module or without need for removal of the entire module from an installation. Furthermore, a module (without jack), may be pre-cabled in an installation and jacks may be added to modules when desired to bring a circuit on-line. Also, the design permits a single
20 inventory of jacks which may be symmetrically positioned. Further, the mating geometry of the guide walls and edges of the jacks insure accurate alignment of the jacks when they are slid into position to be immediately coupled with the sliding connectors. The passage of a screw through the upper flange of each of the front plates permits a jack to be secured to the module and prevents undesired disruption
25 of the jack when a plug is inserted or removed from a jack port.

 When the foregoing detailed description of the present invention it has been shown how the objects of the invention have been obtained in a preferred manner. Modifications and equivalents of the disclosed concepts such as those which readily occur to one skilled in the art are intended to be included within the scope of the
30 claims which are appended hereto.

WHAT IS CLAIMED IS:

1. A coax jack module housing for use with first and second jacks, each jack having:

A. a jack body (100) having a front wall (111) and a rear wall (110) and a width having a first transverse dimension (Z-Z), said body (100) further having upper and lower edges (104, 106);

10 B. first and second mating connectors (112, 113) disposed on said rear wall (110) of said jack body (100) with an axis between said upper and lower edges (104, 106) parallel with a second transverse dimension (Y-Y);

C. said jack body (100) including first and second forward ports (122, 123) on said front wall (111) for receiving a jack plug;

20 D. a switching circuit (125) within said body (100) for normally electrically connecting said mating connectors (112, 113) in the absence of a plug in either of said ports (122, 123) and for opening said connection upon insertion of a plug into either of said ports (122, 123), said coax jack module housing comprising:

A. a housing (12) containing a single digital signal cross-connect (DSX) circuit, said housing (12) having:

(a) a front end (22), a rear end (24), a side wall (26) and top and bottom walls (28, 30) cooperating to define a housing interior (29) and with said housing (12) having a longitudinal axis (X-X) from said front end (22) to said rear end (24) and with said housing (12) having said first transverse dimension (Y-Y) extending between said top

and bottom walls (28, 30) and said second transverse dimension (Z-Z) orthogonal to said first transverse dimension (Y-Y) and said axis (X-X) and with said second transverse dimension (Z-Z) being smaller than either of said first transverse dimension (Y-Y) and said axis (X-X);

10 (b) said housing (12) having interior walls (40, 41, 41', 42, 44) within said interior (29) defining first and second recesses (34, 34') linearly aligned along said first transverse dimension (Y-Y) at said front end (22) and with an unobstructed access through said front end (22) to said recesses (34, 34');

(c) said circuit including circuit components contained within said housing (12) and completely within said second transverse dimension (Z-Z), said circuit components including:

20 (1) first and second pairs of first and second coax cable connectors (60, 61, 60', 61') secured to said rear end (24) for connection to coax cables external of said housing (12), said first and second pairs of first and second coax cable connectors (60, 61, 60', 61') disposed linearly aligned along said first transverse dimension (Y-Y) at said rear end (24);

30 (2) first and second pairs of first and second sliding coax connectors (60a, 61a,

60a', 61a') mounted within said interior (12);

(3) first and second pairs of first and second coax conductors (60b, 61b, 60b', 61b') disposed within said interior (29) and connecting said first and second coax cable connectors (60, 61, 60', 61') with respective ones of said first and second sliding connectors (60a, 61a, 60a', 61a');

10

(4) each of said sliding coax connectors (60a, 61a, 60a', 61a') adapted to slidably receive an individual one of said mating connectors (112, 113) moving along a path of travel toward mating ends of said sliding coax connectors (60a, 61a, 60a', 61a'), said path of travel being parallel to said longitudinal axis (X-X);

20

(5) said first and second pairs of said sliding coax connectors (60a, 61a, 60a', 61a') mounted within said first and second recesses (34, 34'), respectively, in a linear array along said first transverse dimension (Y-Y) and with each of said sliding coax connectors (60a, 61a, 60a', 61a') mounted with said mating ends spaced from said front end (22) by a recessed distance and positioned and exposed to said first and second recesses (34, 34') to slidably receive one of said mating connectors (112, 113) moving in said path of travel from said front end (22) and

30

parallel to said longitudinal direction (X-X);

(6) said sliding connectors of each of said first and second pairs of said sliding coax connectors (60a, 61a, 60a', 61a') spaced apart by a transverse distance parallel to said first transverse dimension (Y-Y);

- 10 B. said interior walls (40, 41, 41', 42, 44) of said housing (12) having cooperating guides (40) for guiding said jacks (14, 14') into said recesses (34, 34') with said jacks (14, 14') moving in the path of travel and with the mating connectors (112, 113) aligned with the sliding connectors (60a, 61a, 60a', 61a');
- C. said front end including a front wall portion (22a);
- 20 D. a cover (102) on said front wall (111) disposed to align with said wall portion (22a) when each of said jack bodies (100) is received within said recess with said mating connectors (112, 113) mated with said sliding coax connectors (60a, 61a).

2. A coax jack module housing according to claim 1, wherein said jack includes a monitor port on said front wall and connected to monitor a signal at one of said mating connectors, and said cover includes three holes, one hole for each of said monitor port, and said first and second forward ports.

3. A coax jack module housing according to claim 1, wherein said cooperating guides includes said walls being

shaped complementary to said upper and lower edges of said jack body.

4. A coax jack module housing according to claim 3, wherein said cooperating guides are symmetrical.

5. A coax jack module housing according to claim 3, wherein said cooperating guides are curved.

6. A coax jack module housing according to claim 5, wherein said cooperating guides include centrally extending grooves.

10 7. A coax jack module housing according to claim 1, wherein the cover includes two cover portions, each cover portion including a first fastener hole for receipt of a fastener to mount the cover portion to the respective jack body.

8. A coax jack module housing according to claim 7, wherein each cover portion includes a flange including a second fastener hole for receipt of a second fastener to mount the cover portion to the front end (22) of the housing.

20 9. A coax jack module housing for use with first and second jacks, each jack having:

A. a jack body (100) having a front wall (111) and a rear wall (110) and a width having a first transverse dimension (Z-Z), said body (100) further having upper and lower edges (104, 106);

B. first and second mating connectors (112, 113) disposed on said rear wall (110) of said jack body (100) with an

axis between said upper and lower edges (104, 106) parallel with a second transverse dimension (Y-Y);

C. said jack body (100) including first and second forward ports (122, 123) on said front wall (111) for receiving a jack plug;

D. a switching circuit (125) within said body (100) for normally electrically connecting said mating connectors (112, 113) in the absence of a plug in either of said ports (122, 123) and for opening said connection upon insertion
10 of a plug into either of said ports (122, 123), said coax jack module housing comprising:

A. a housing (12) containing a single digital signal cross-connect (DSX) circuit, said housing (12) having:

(a) a front end (22), a rear end (24), a side wall (26) and top and bottom walls (28, 30) cooperating to define a housing interior (29) and with said housing (12) having a longitudinal axis (X-X) from said front end (22) to said rear end (24) and with said
20 housing (12) having said first transverse dimension (Y-Y) extending between said top and bottom walls (28, 30) and said second transverse dimension (Z-Z) orthogonal to said first transverse dimension (Y-Y) and said axis (X-X) and with said second transverse dimension (Z-Z) being smaller than either of said first transverse dimension (Y-Y) and said axis (X-X);

(b) said housing (12) having interior walls (40, 41, 41', 42, 44) within said interior (29)
30

defining first and second recesses (34, 34') linearly aligned along said first transverse dimension (Y-Y) at said front end (22) and with an unobstructed access through said front end (22) to said recesses (34, 34');

(c) said circuit including circuit components contained within said housing (12) and completely within said second transverse dimension (Z-Z), said circuit components including:

10

(1) first and second pairs of first and second coax cable connectors (60, 61, 60', 61') secured to said rear end (24) for connection to coax cables external of said housing (12), said first and second pairs of first and second coax cable connectors (60, 61, 60', 61') disposed linearly aligned along said first transverse dimension (Y-Y) at said rear end (24);

20

(2) first and second pairs of first and second sliding coax connectors (60a, 61a, 60a', 61a') mounted within said interior (12);

(3) first and second pairs of first and second coax conductors (60b, 61b, 60b', 61b') disposed within said interior (29) and connecting said first and second coax cable connectors (60, 61, 60', 61') with respective ones of said first and second sliding connectors (60a, 61a, 60a', 61a');

30

(4) each of said sliding coax connectors (60a, 61a, 60a', 61a') adapted to slidably

receive an individual one of said mating connectors (112, 113) moving along a path of travel toward mating ends of said sliding coax connectors (60a, 61a, 60a', 61a'), said path of travel being parallel to said longitudinal axis (X-X);

10 (5) said first and second pairs of said sliding coax connectors (60a, 61a, 60a', 61a') mounted within said first and second recesses (34, 34'), respectively, in a linear array along said first transverse dimension (Y-Y) and with each of said sliding coax connectors (60a, 61a, 60a', 61a') mounted with said mating ends spaced from said front end (22) by a recessed distance and positioned and exposed to said first and second recesses (34, 34') to slidably receive one of said mating connectors (112, 113) moving in said path of travel from said front end (22) and parallel to said longitudinal direction (X-X);

20 (6) said sliding connectors of each of said first and second pairs of said sliding coax connectors (60a, 61a, 60a', 61a') spaced apart by a transverse distance parallel to said first transverse dimension (Y-Y);

30 B. said interior walls (40, 41, 41', 42, 44) of said housing (12) having cooperating guides (40) for guiding said jacks (14, 14') into said recesses (34, 34') with said jacks (14, 14') moving in the path of travel and with the mating connectors

(112, 113) aligned with the sliding connectors (60a, 61a, 60a', 61a'), wherein said cooperating guides includes said walls being shaped complementary to said upper and lower edges of said jack body.

FIG. 3

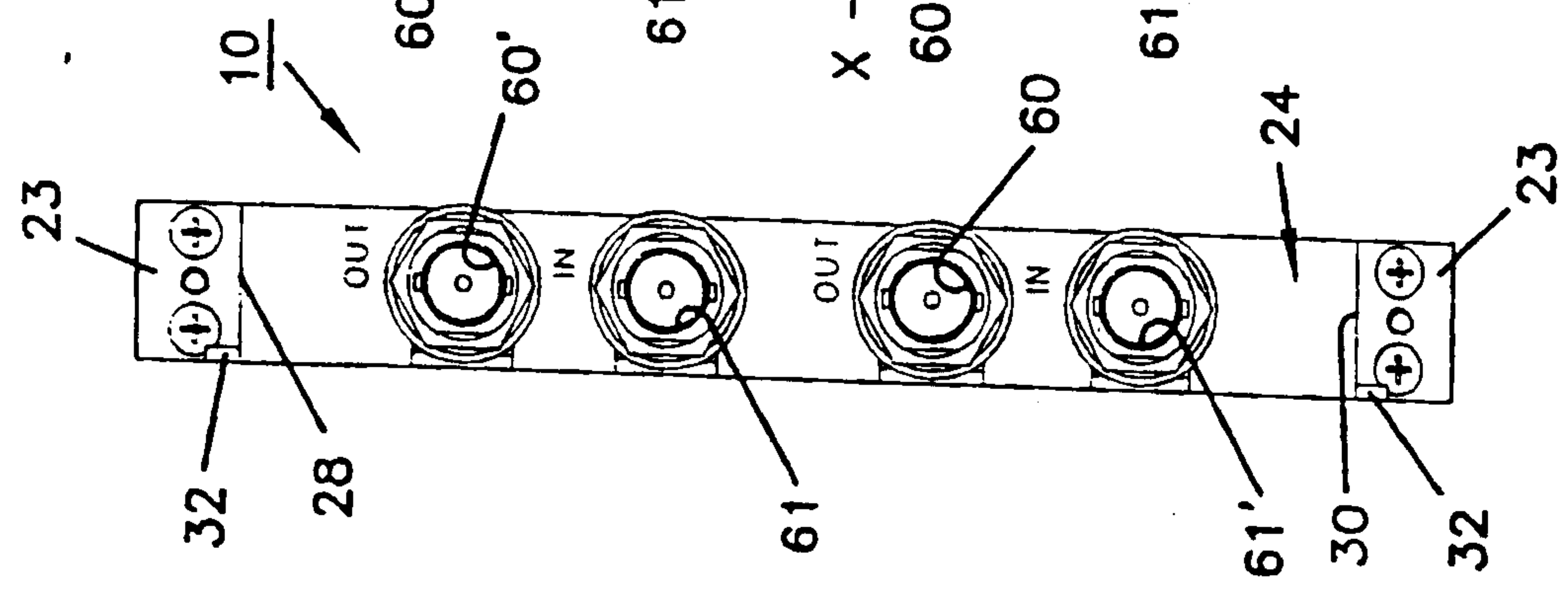


FIG. 1

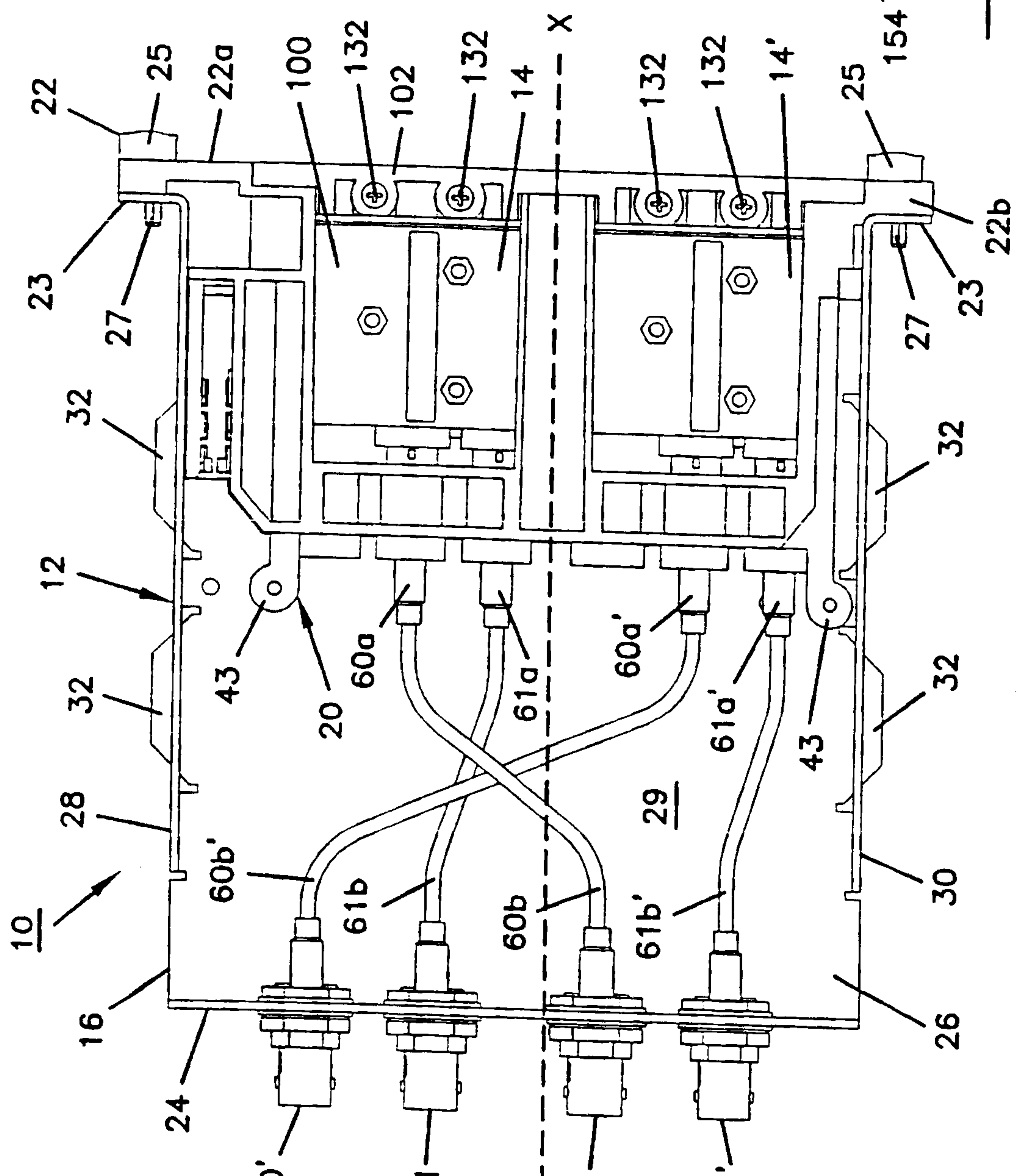
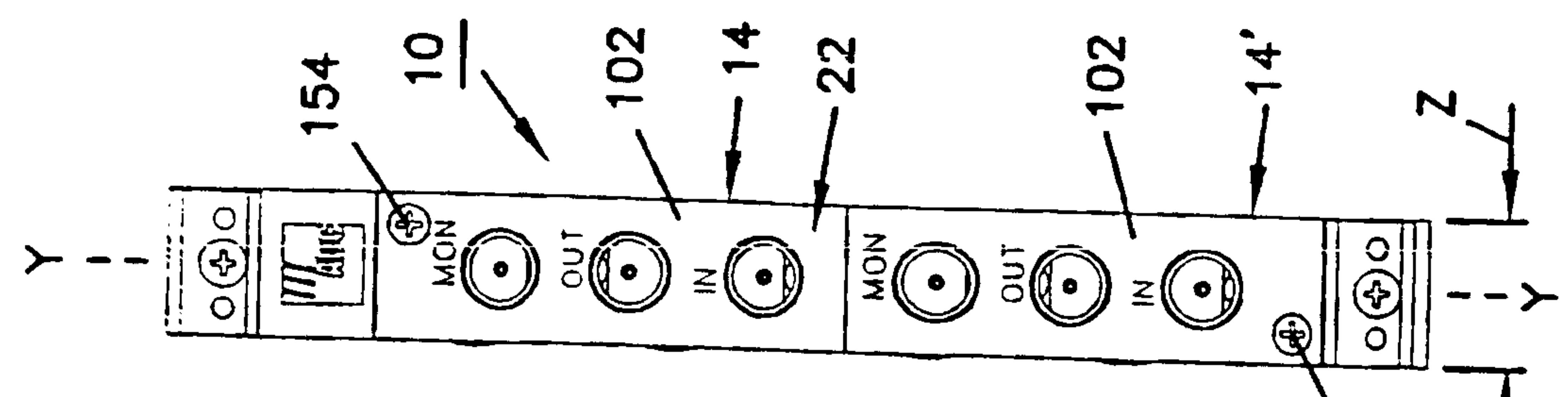


FIG. 2



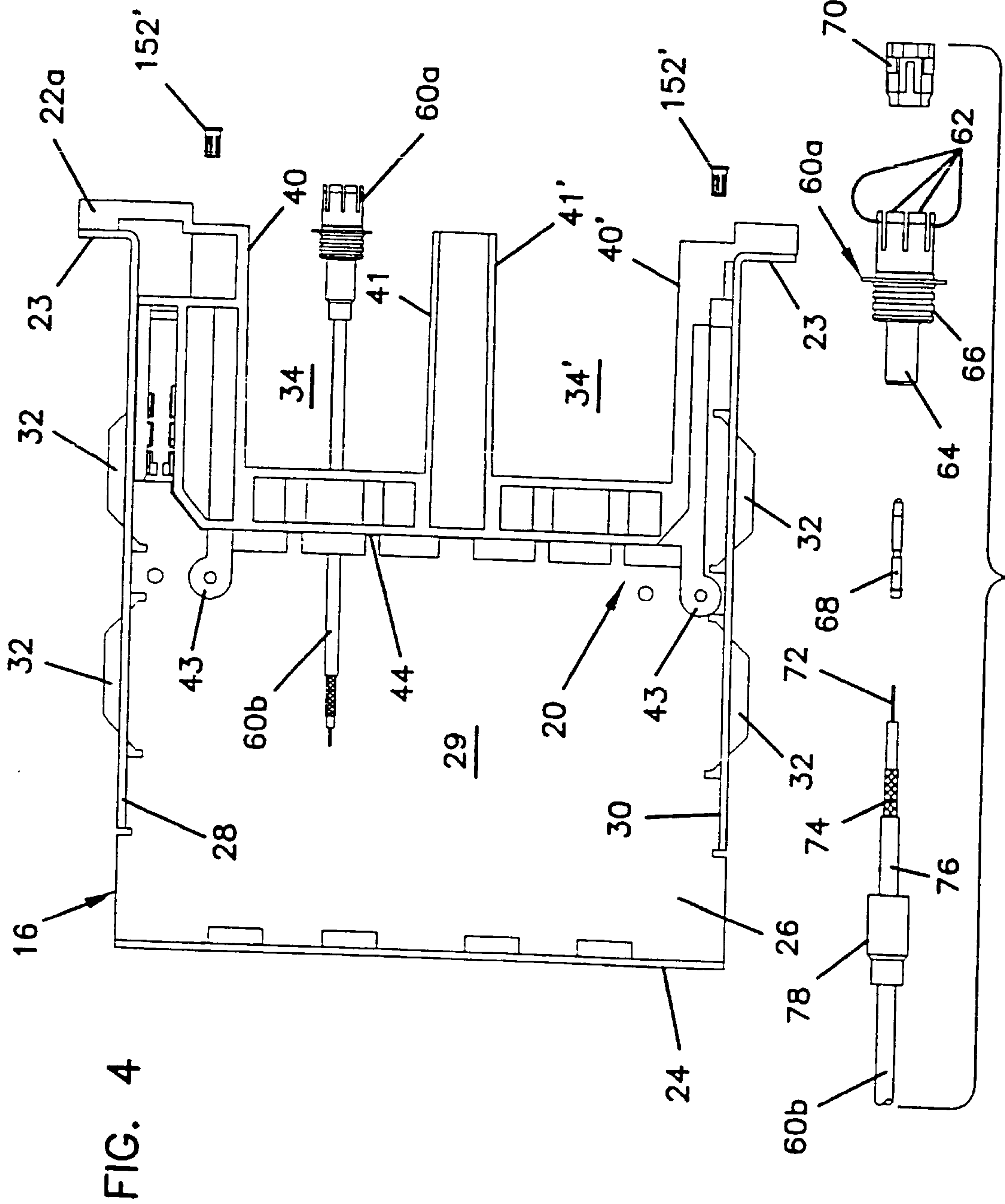
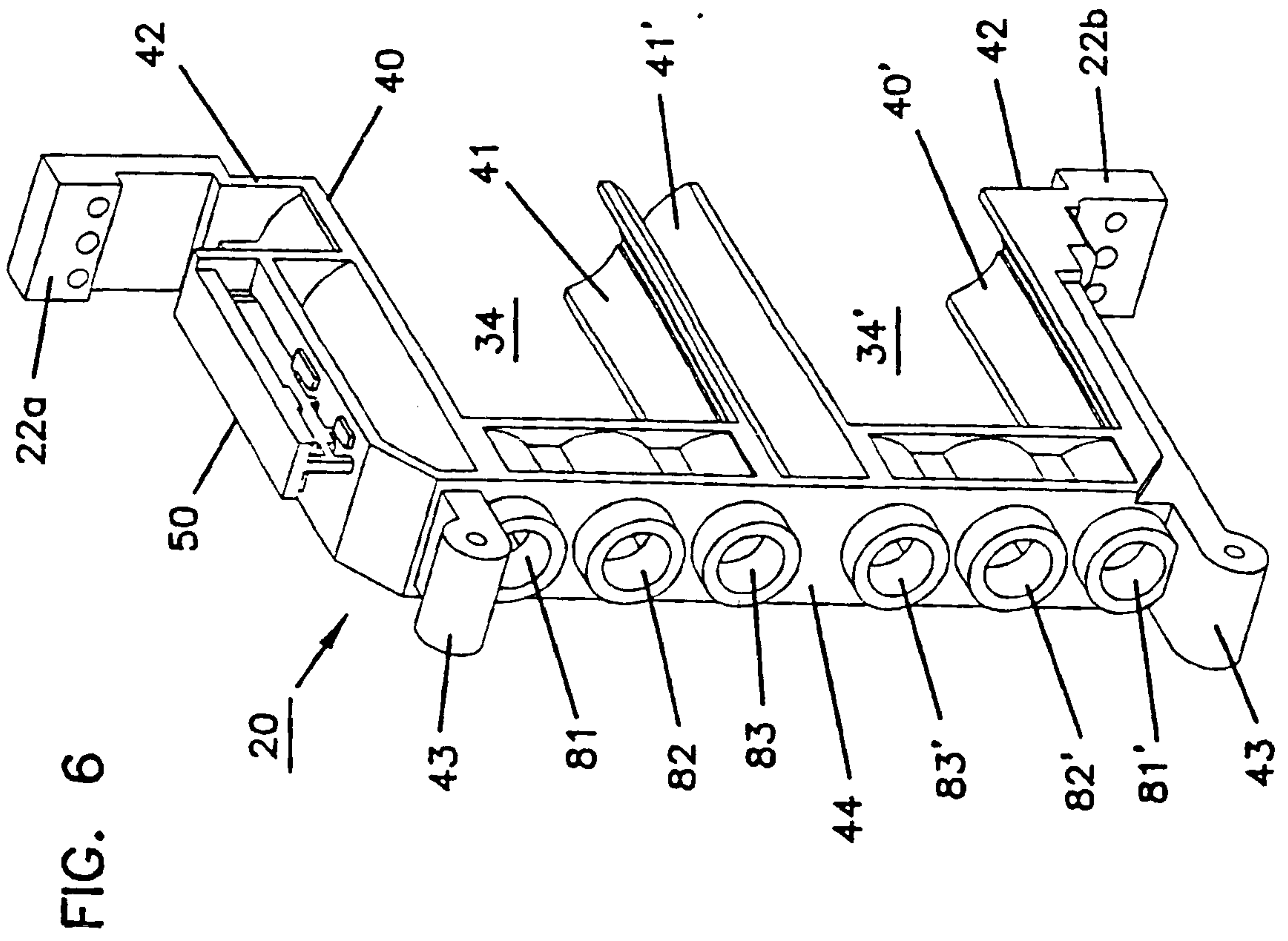
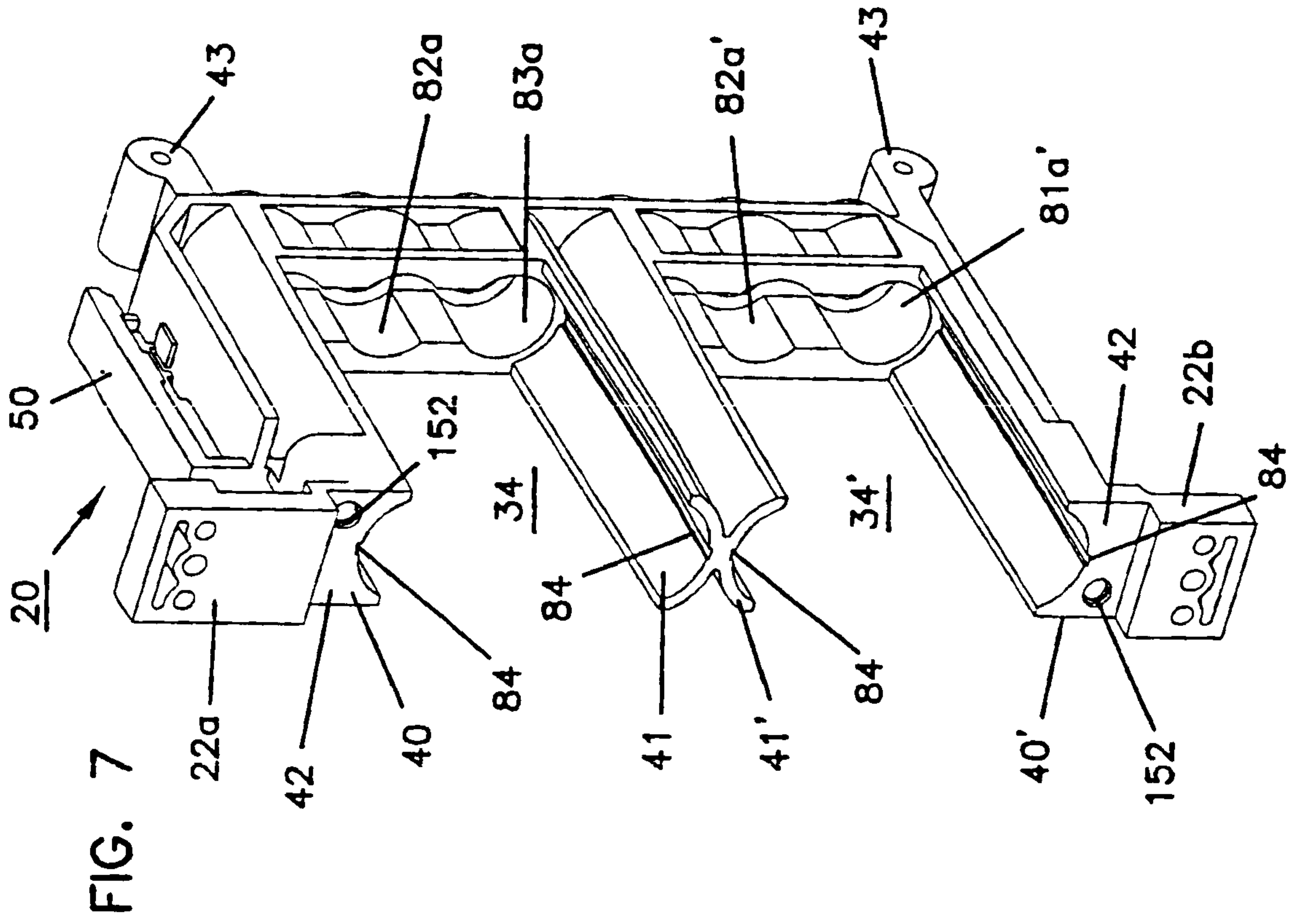


FIG. 4

FIG. 5



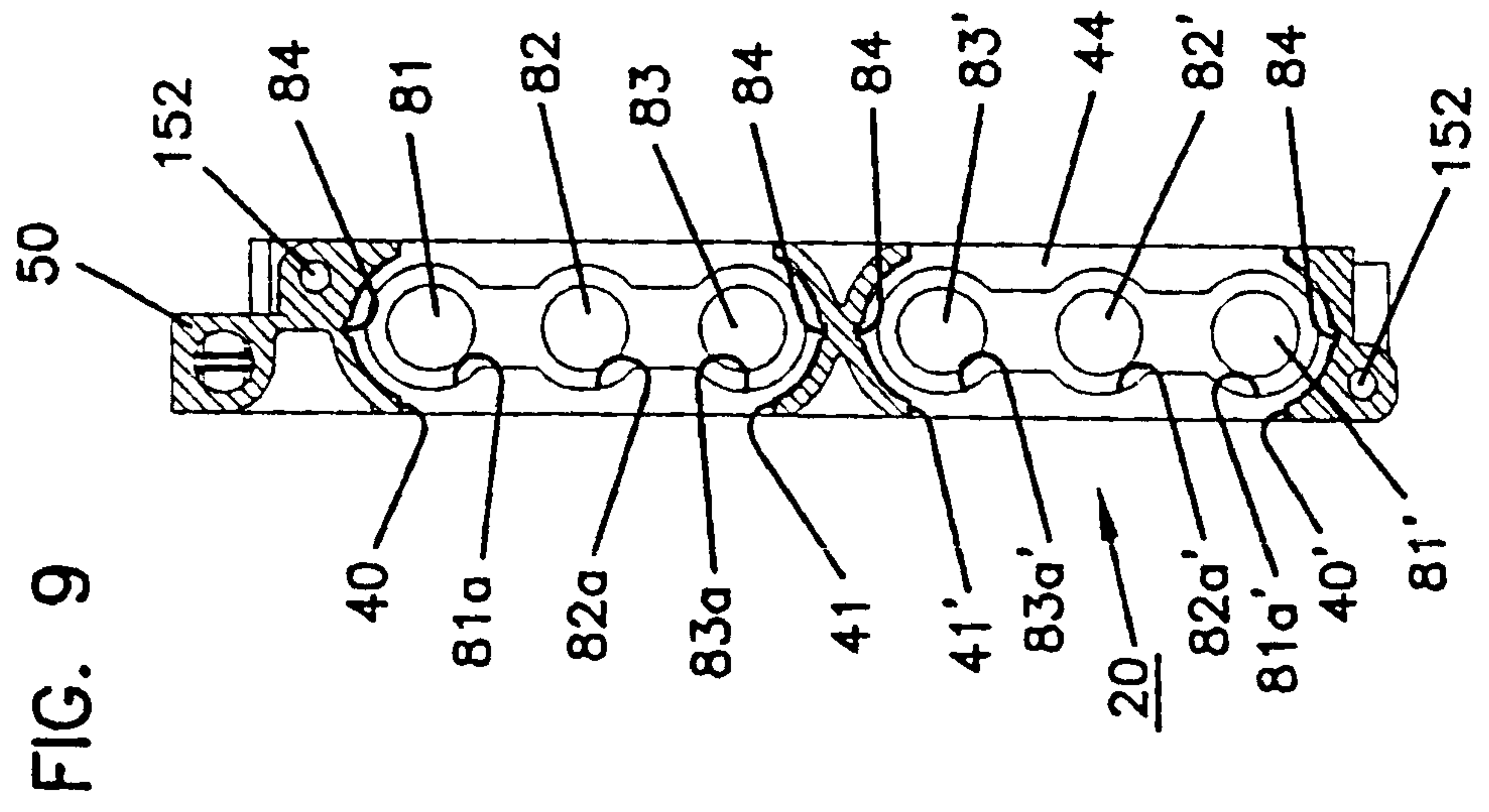
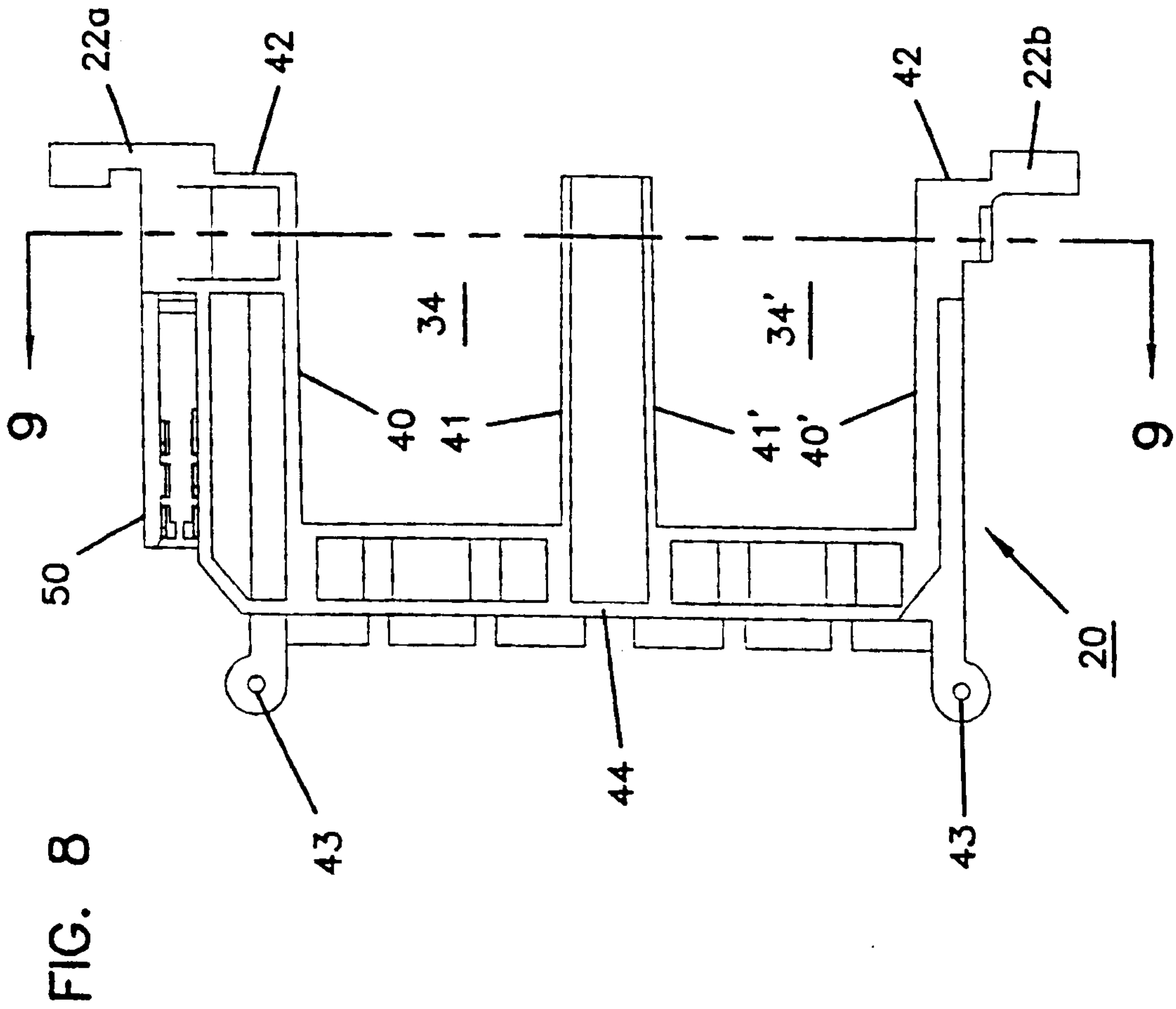


FIG. 9

FIG. 8

FIG. 10

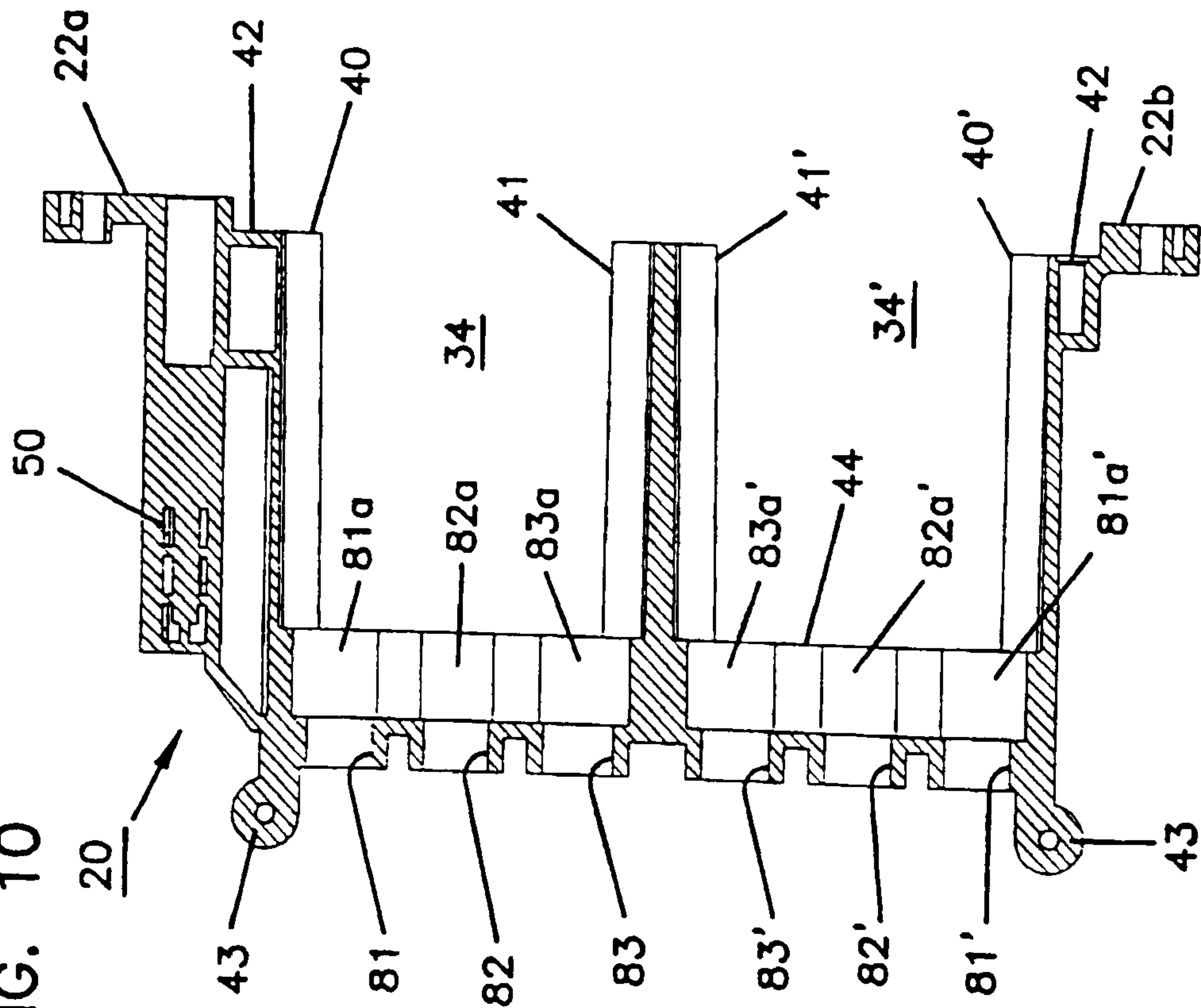


FIG. 11

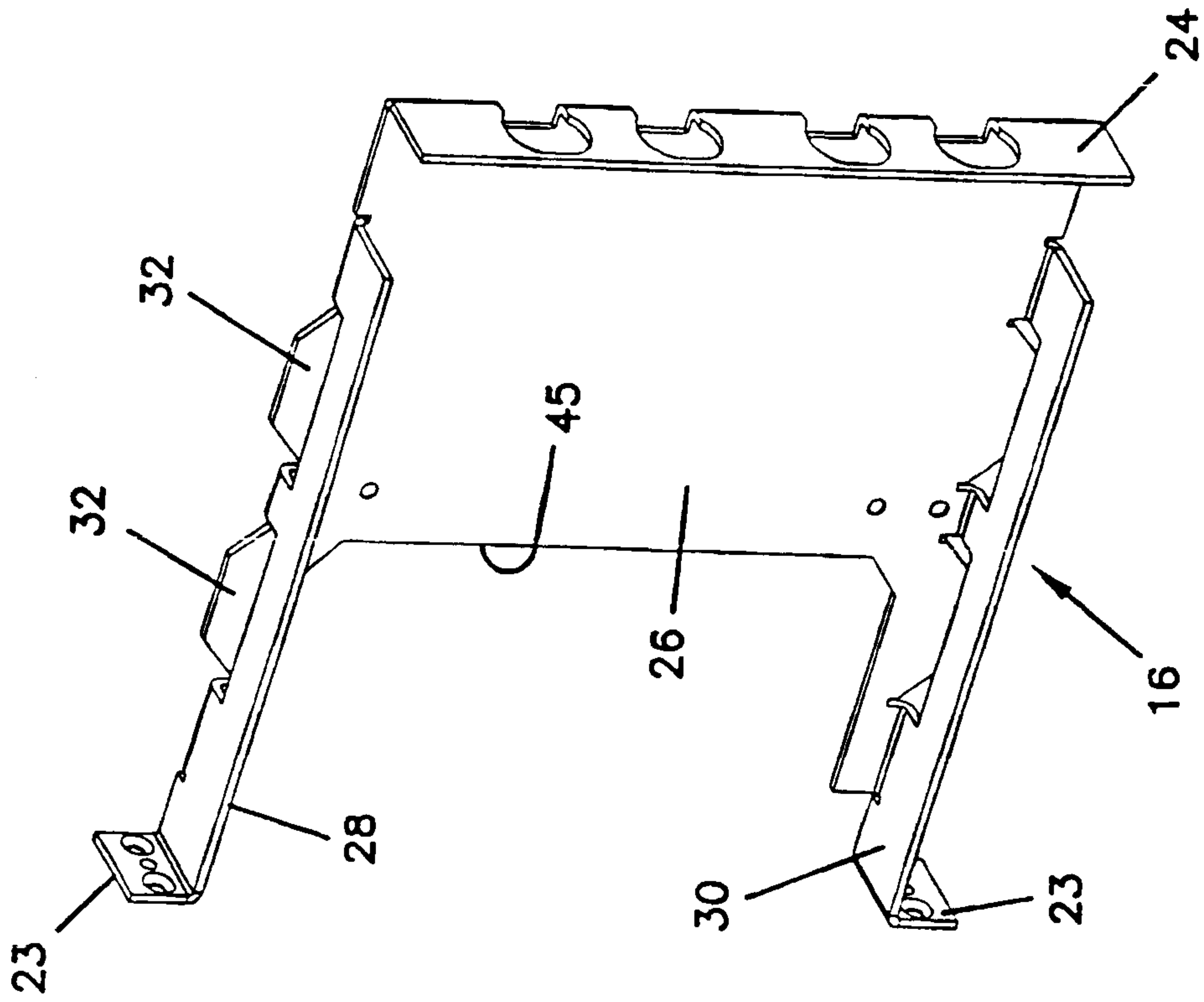


FIG. 12

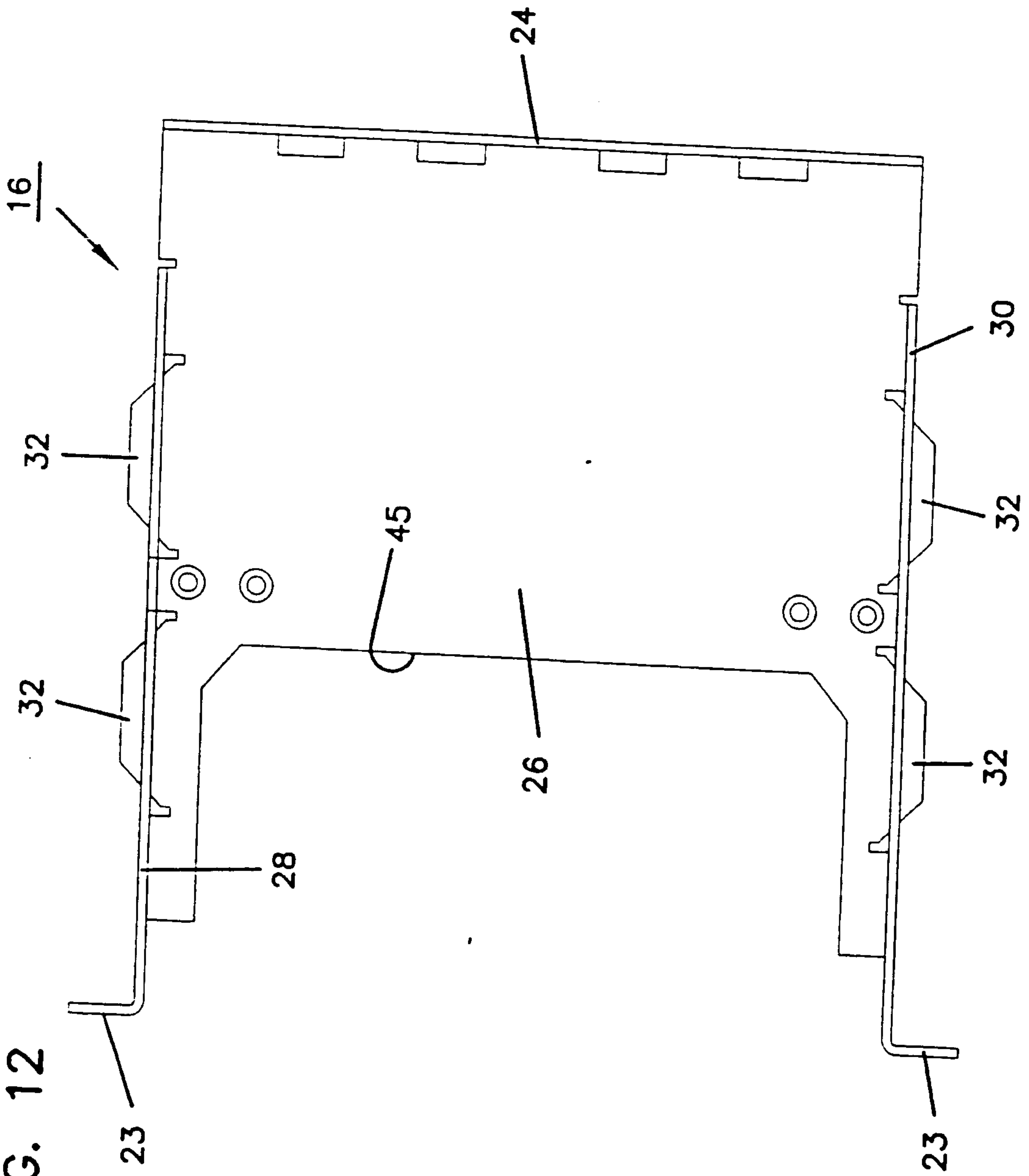


FIG. 13

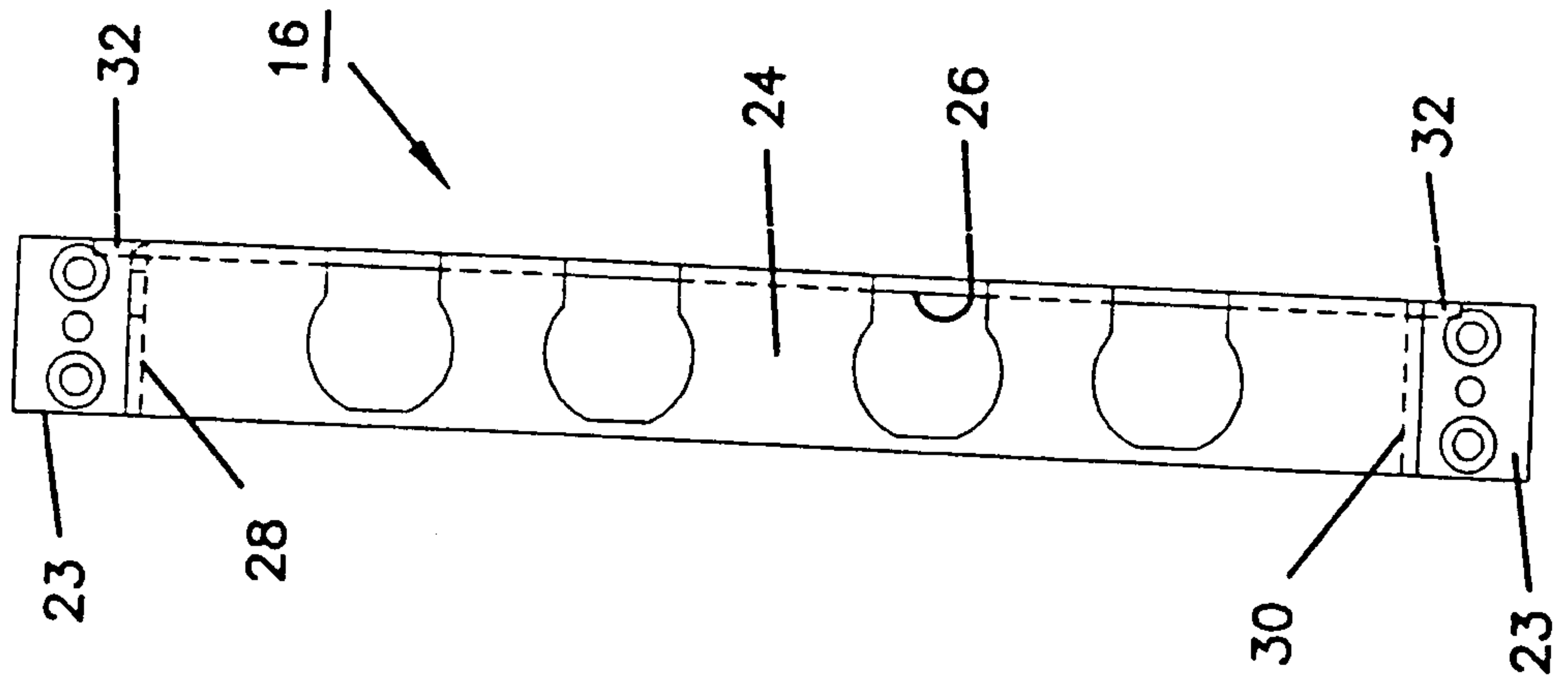


FIG. 14

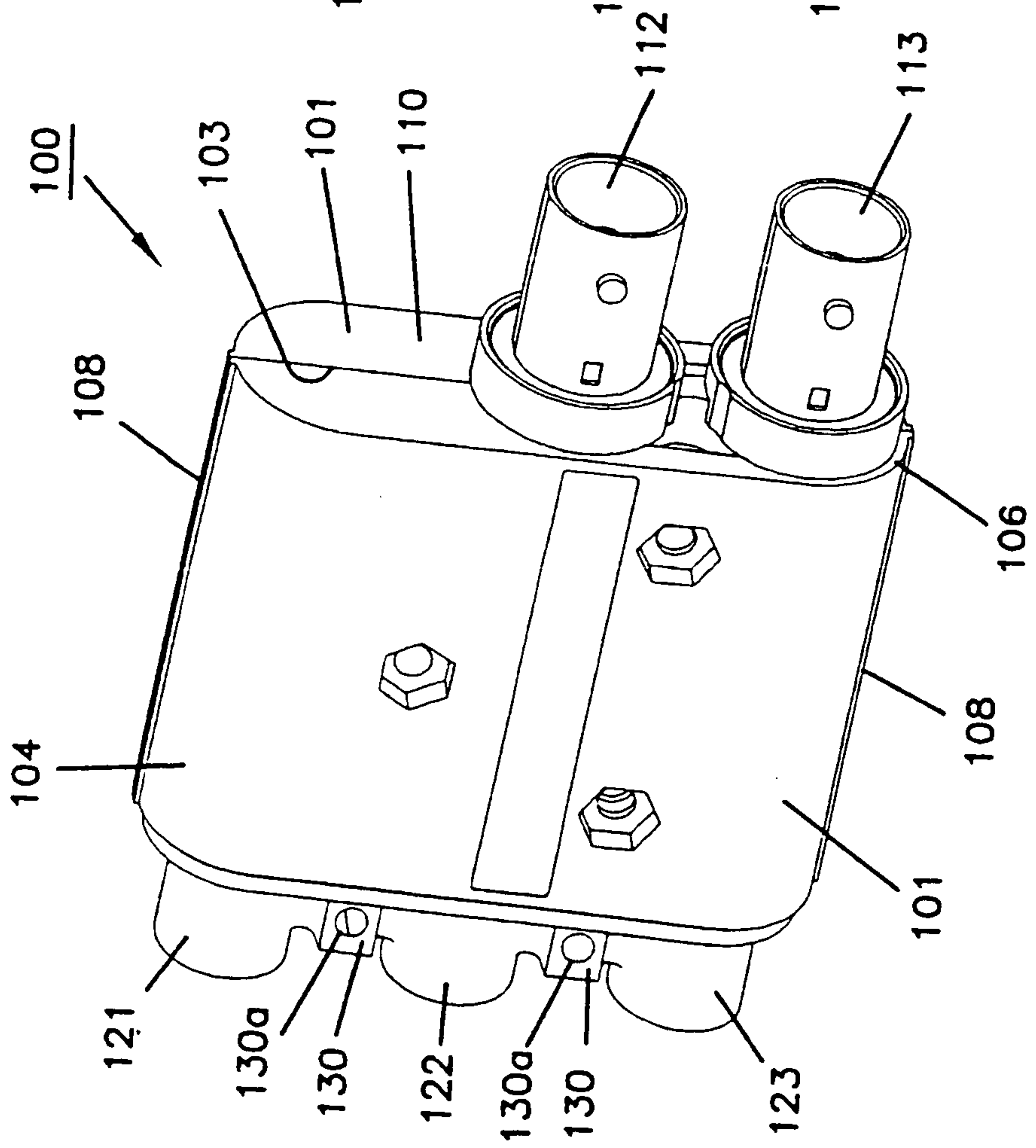
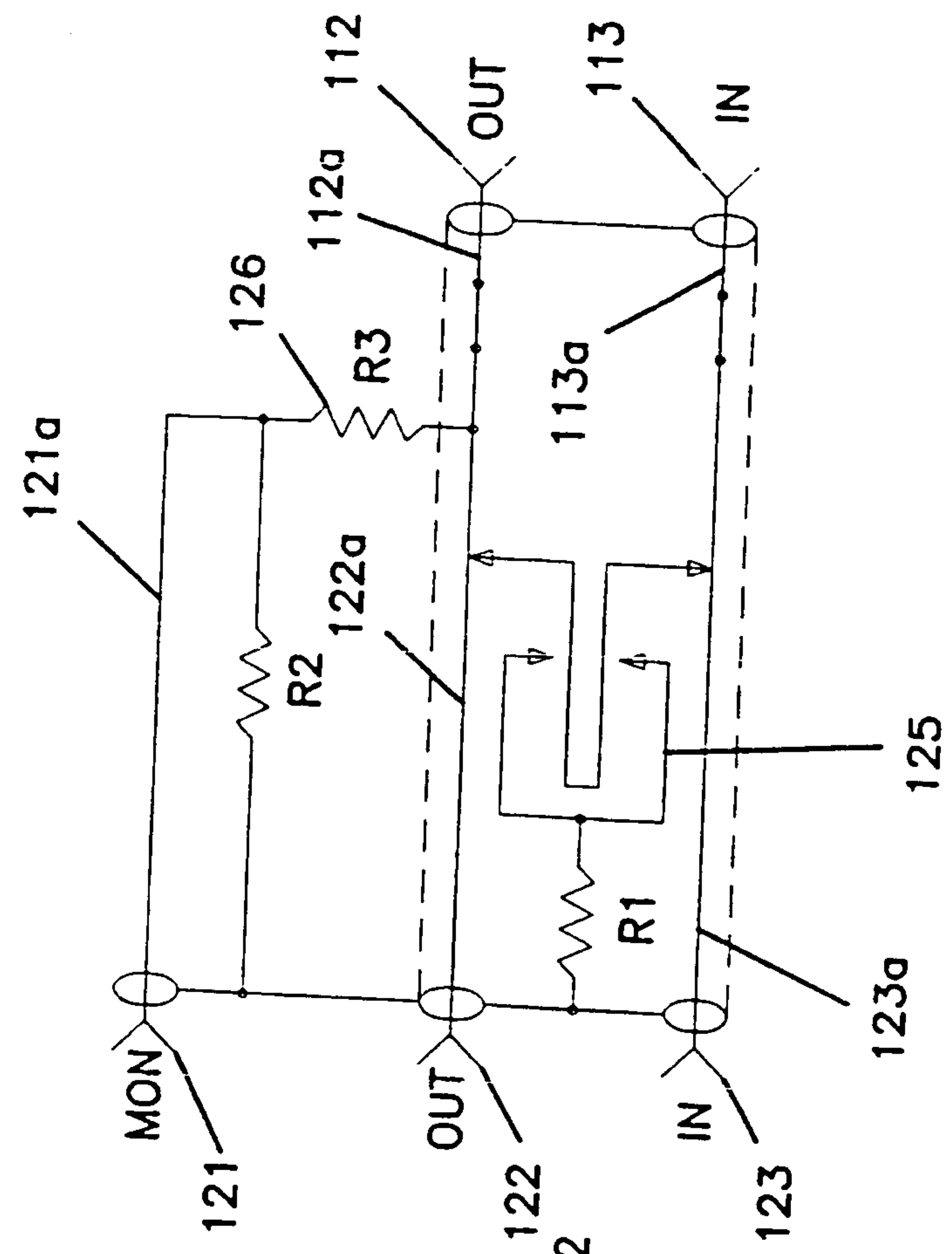


FIG. 16



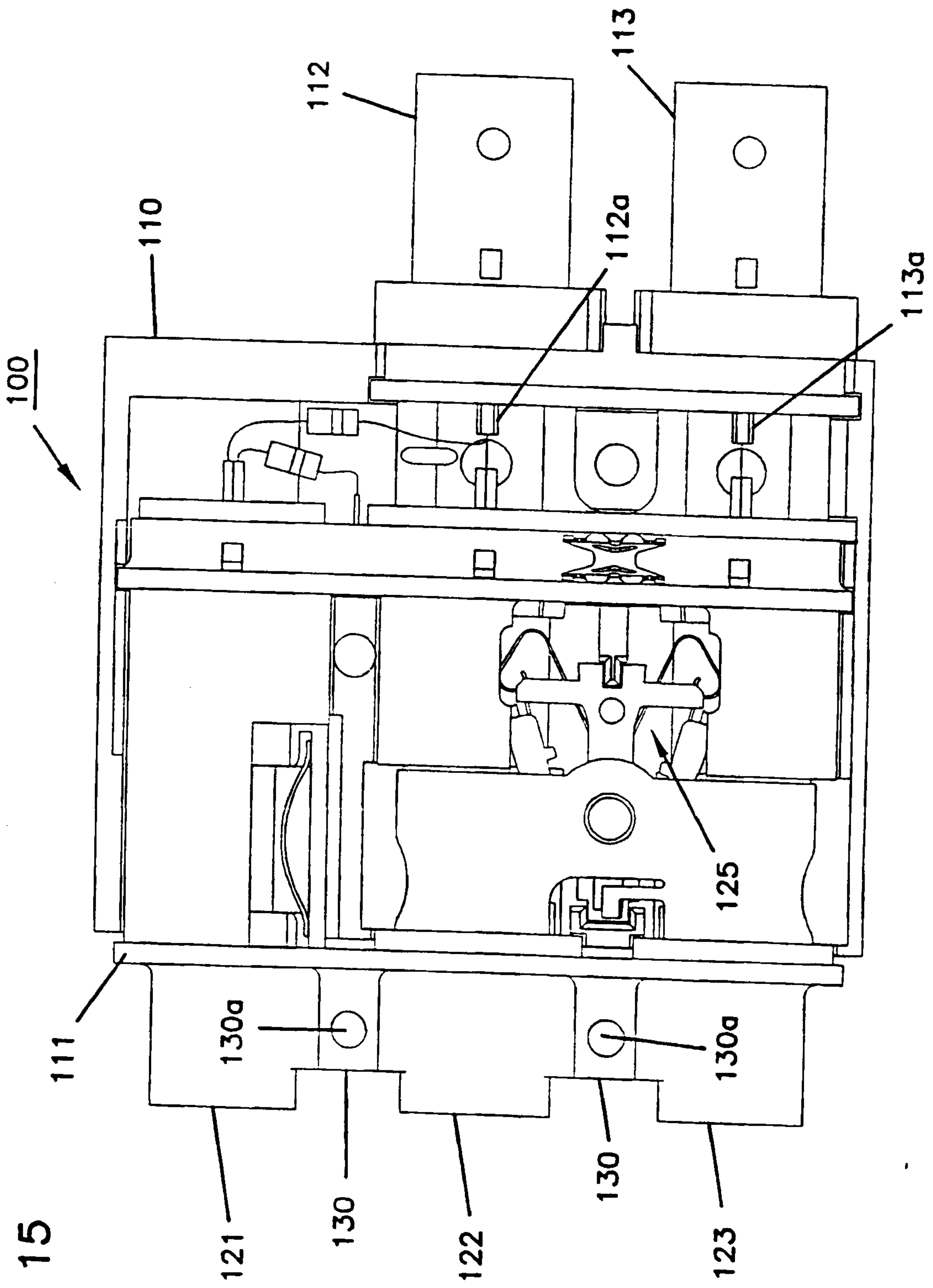


FIG. 15

FIG. 17

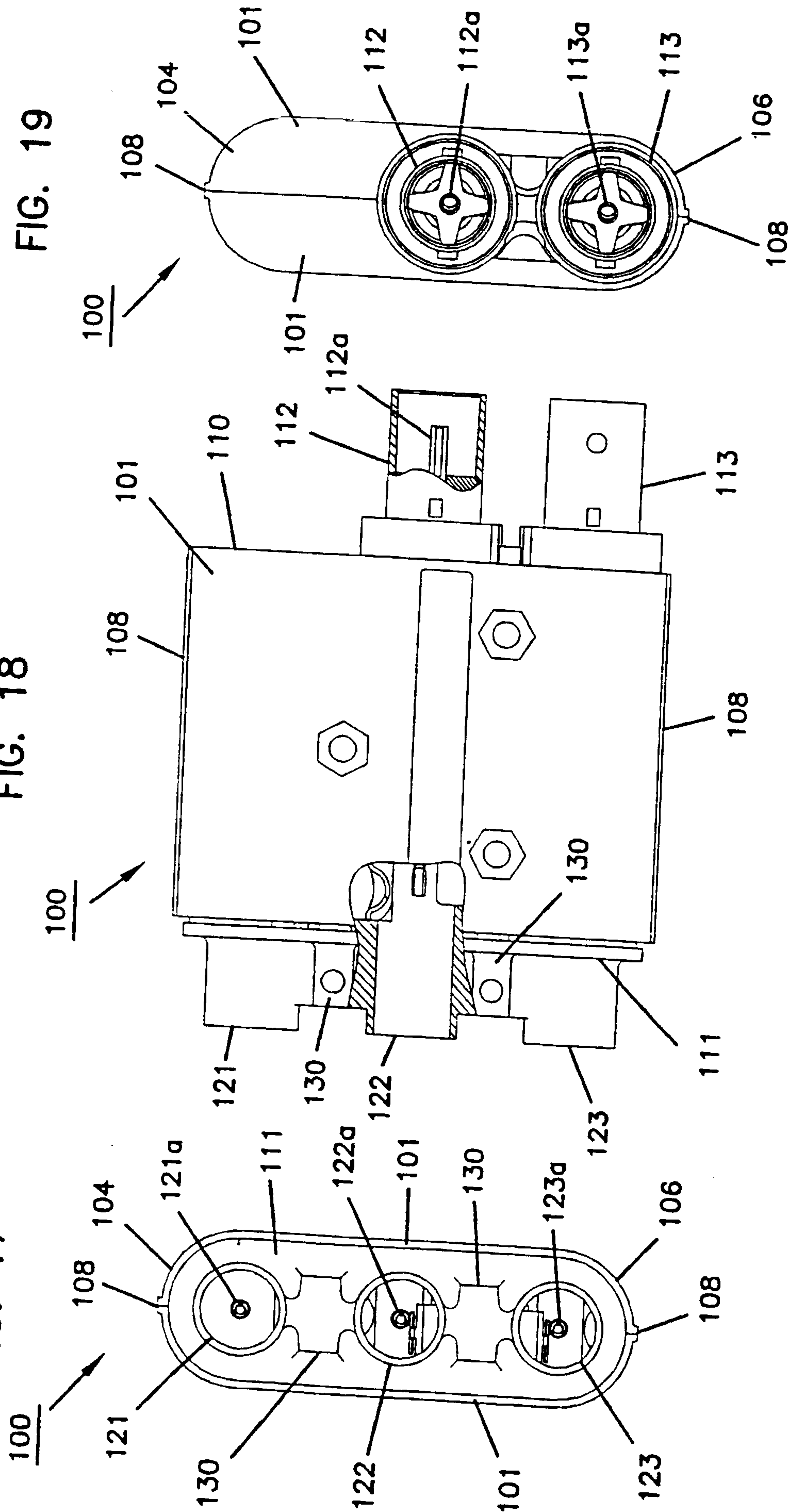


FIG. 18

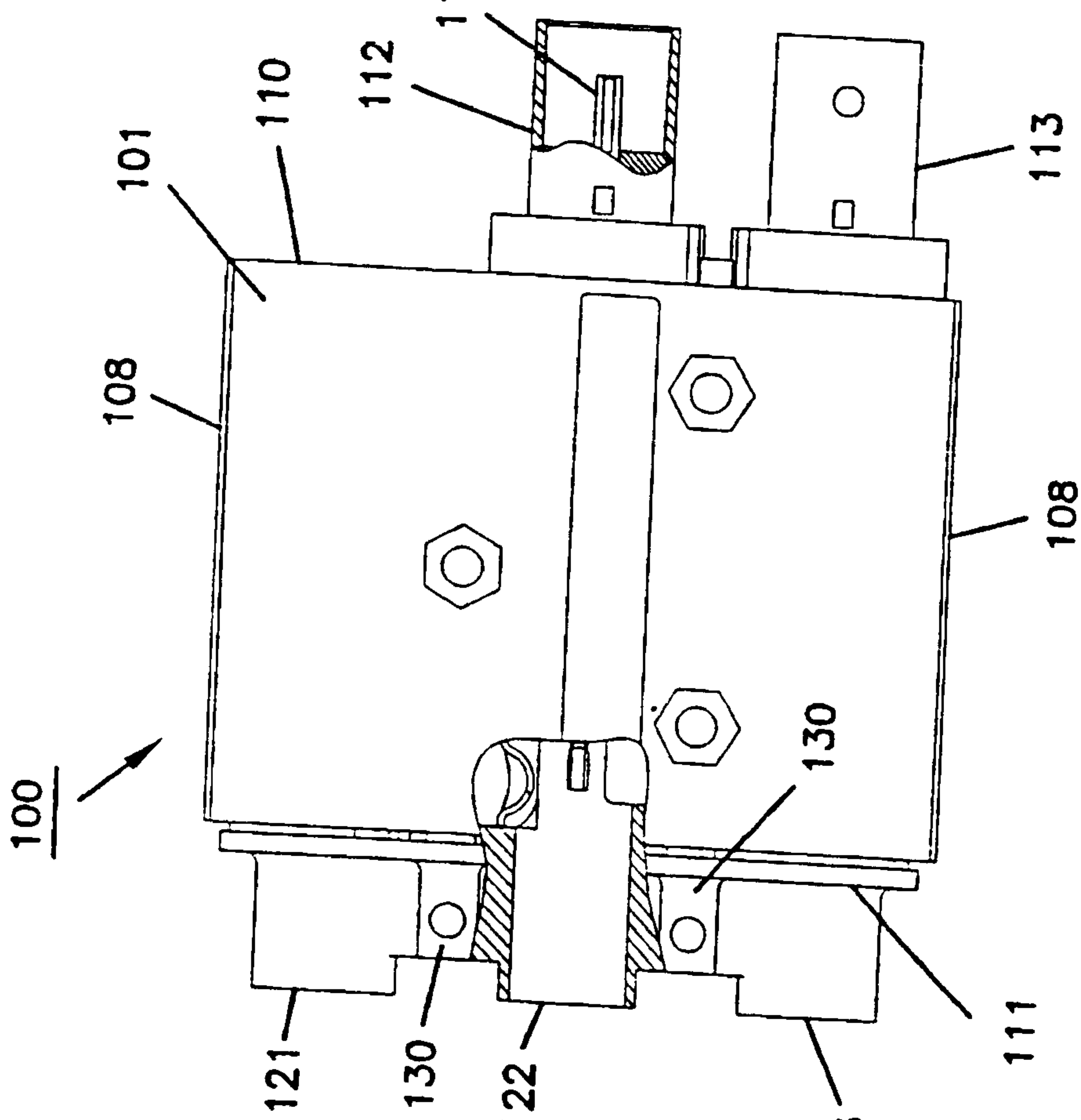


FIG. 19

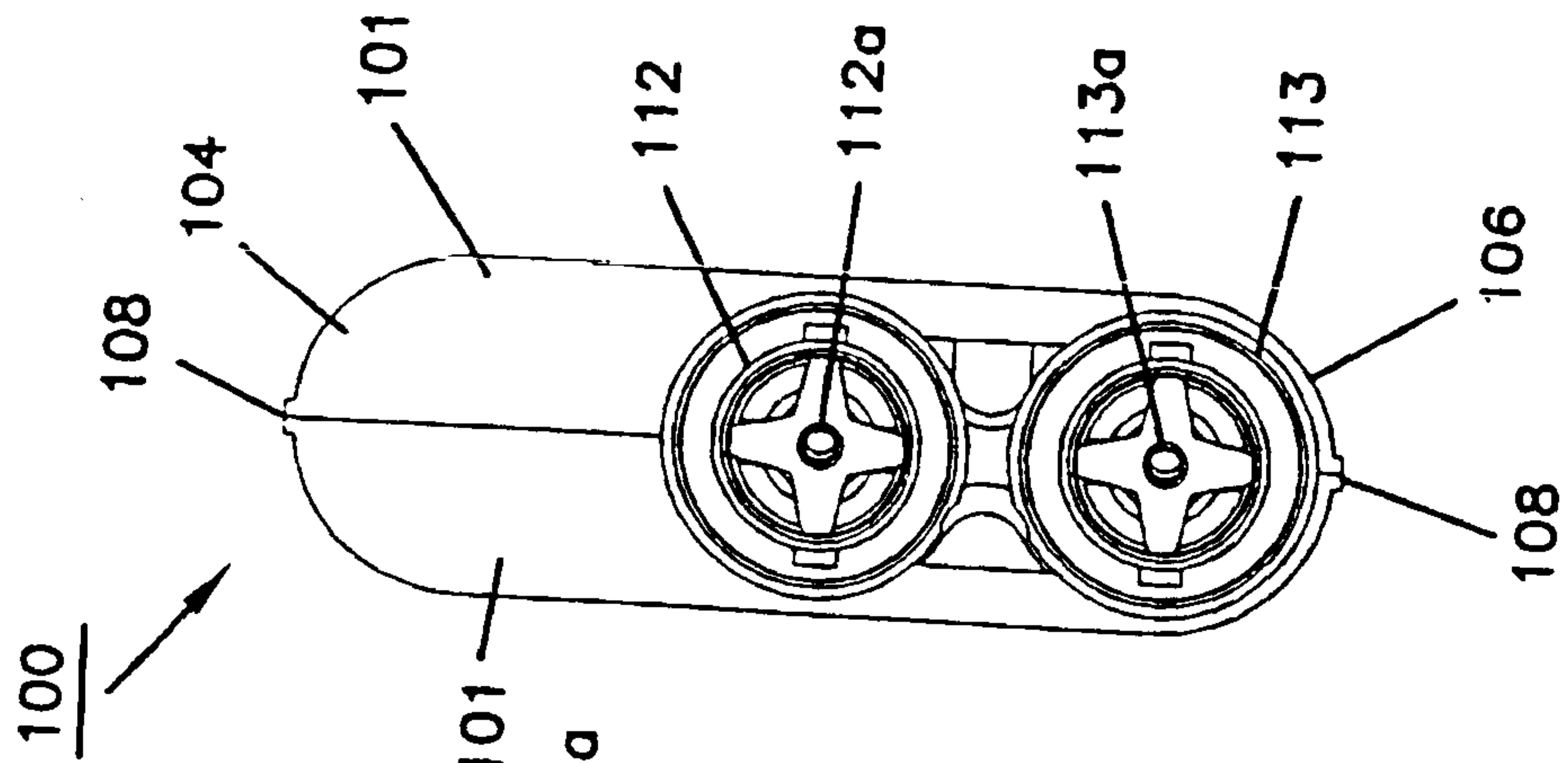


FIG. 20

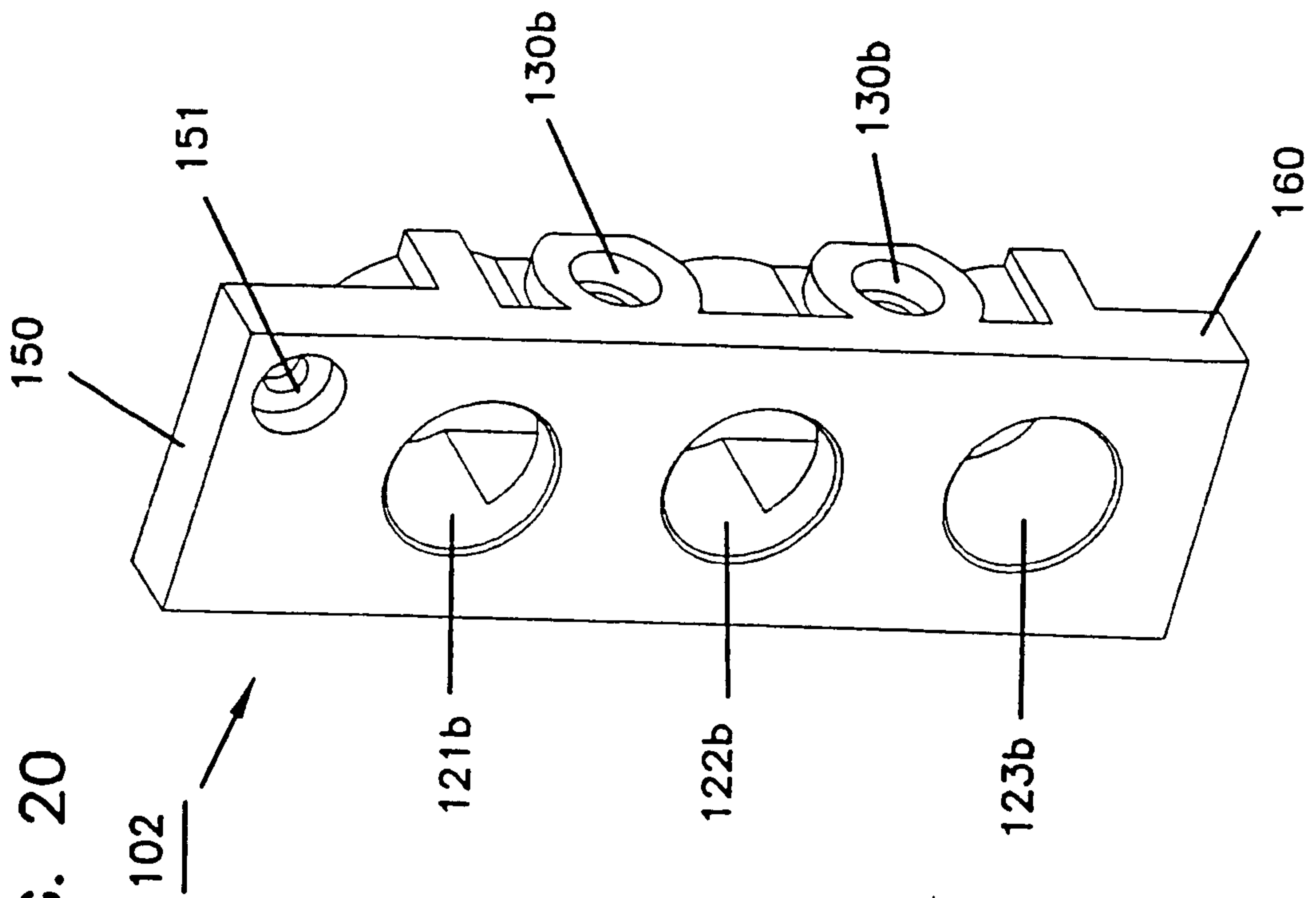


FIG. 21

