

- [54] **REVERSE OSMOSIS WATER PURIFICATION UNIT**  
[76] **Inventor: Jack P. Slovak**, 8901 Crescent, Huntington Beach, Calif. 92646  
[\*\*] **Term: 14 Years**  
[21] **Appl. No.: 79,602**  
[22] **Filed: Jul. 30, 1987**  
[52] **U.S. Cl. .... D23/207**  
[58] **Field of Search .... D23/207, 208; 210/652, 210/653, 654, 655, 321.89**

- [56] **References Cited**  
**U.S. PATENT DOCUMENTS**  
D. 215,000 8/1969 Young ..... D23/207  
D. 268,866 5/1983 Desai et al. .... D23/207  
D. 278,650 4/1985 Slovak et al. .... D23/209

- D. 290,638 6/1987 Bishop ..... D23/207  
D. 296,126 6/1988 Clark ..... D23/207  
4,391,712 7/1983 Tyler et al. .... 210/652

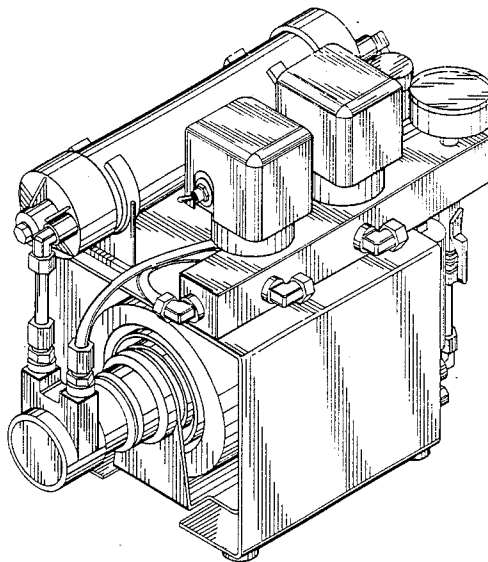
*Primary Examiner*—James M. Gandy  
*Assistant Examiner*—Lisa Lichtenstein  
*Attorney, Agent, or Firm*—Leonard Tachner

[57] **CLAIM**

The ornamental design for a reverse osmosis water purification unit, as shown.

**DESCRIPTION**

FIG. 1 is a perspective view of a reverse osmosis water purification unit showing my new design; FIG. 2 is a top plan view thereof; FIG. 3 is a left side elevational view thereof; FIG. 4 is a rear elevational view thereof; FIG. 5 is a front elevational view thereof; and FIG. 6 is a right side elevational view thereof.



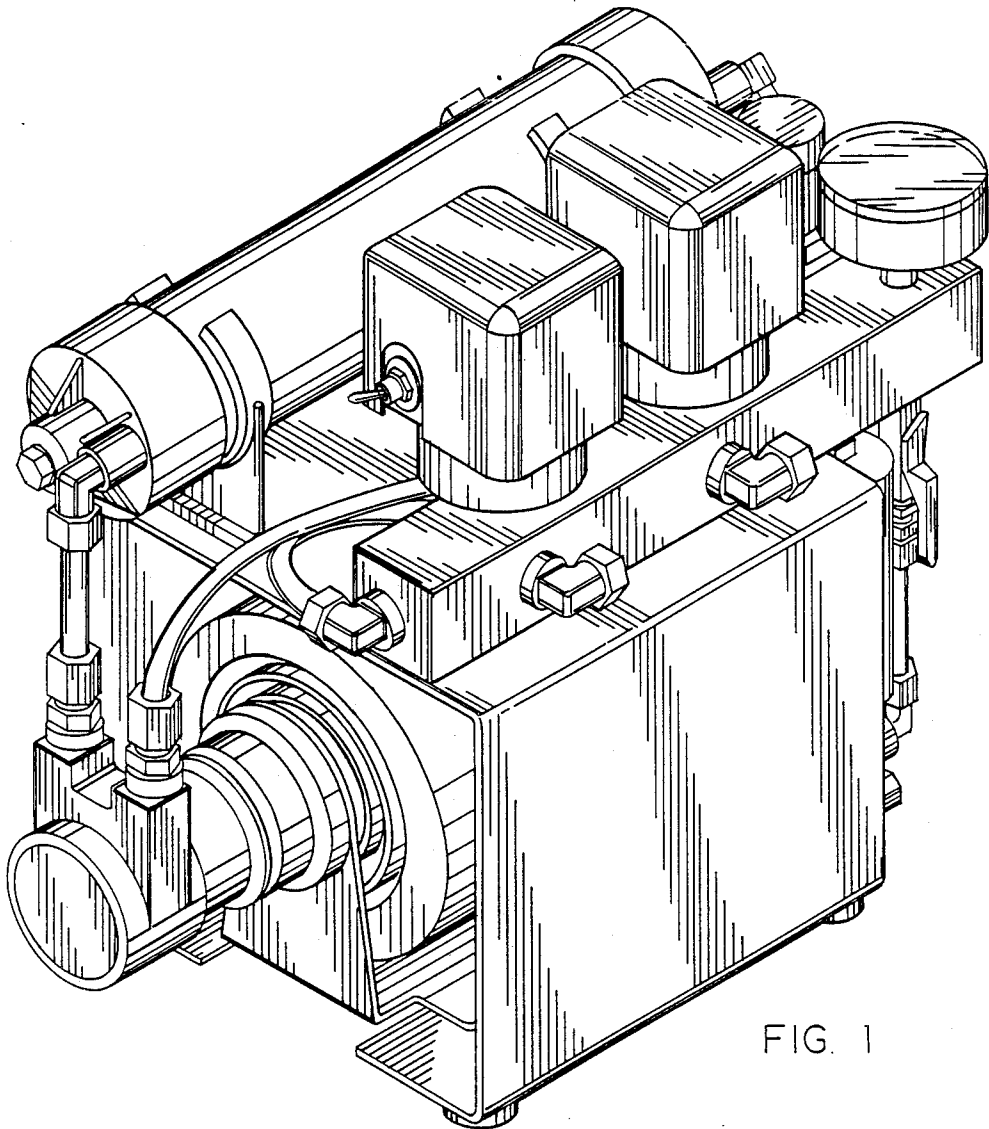
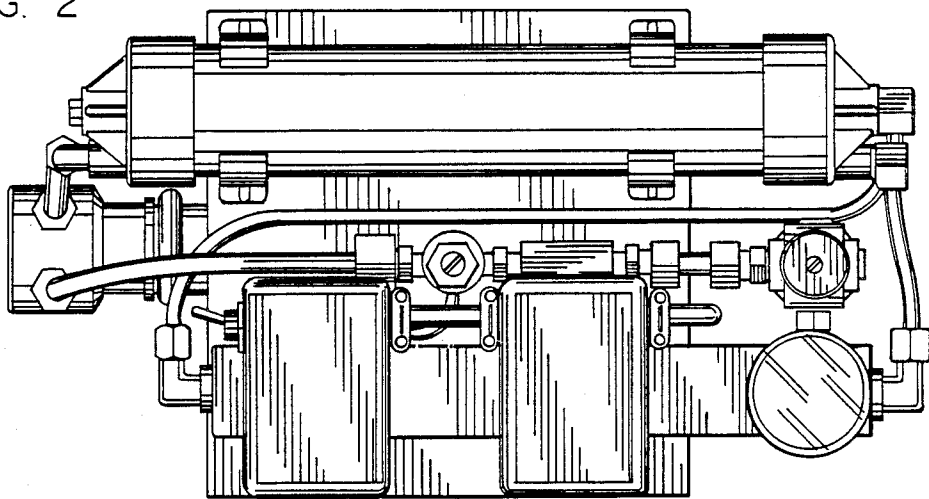


FIG. 1

FIG. 2



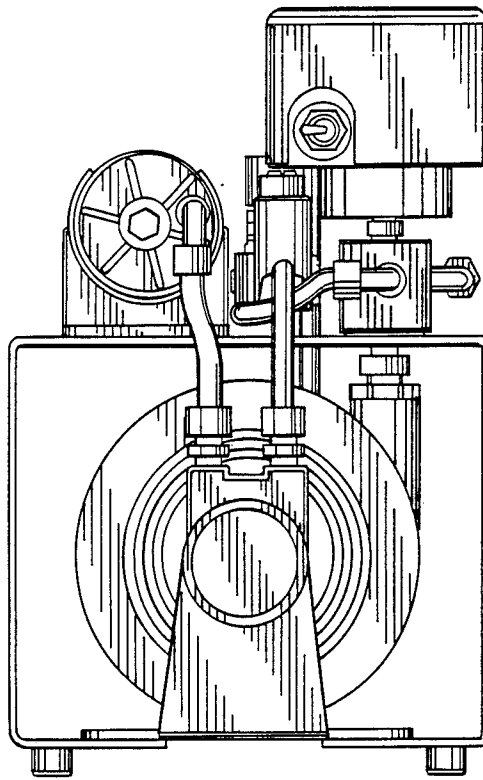


FIG. 3

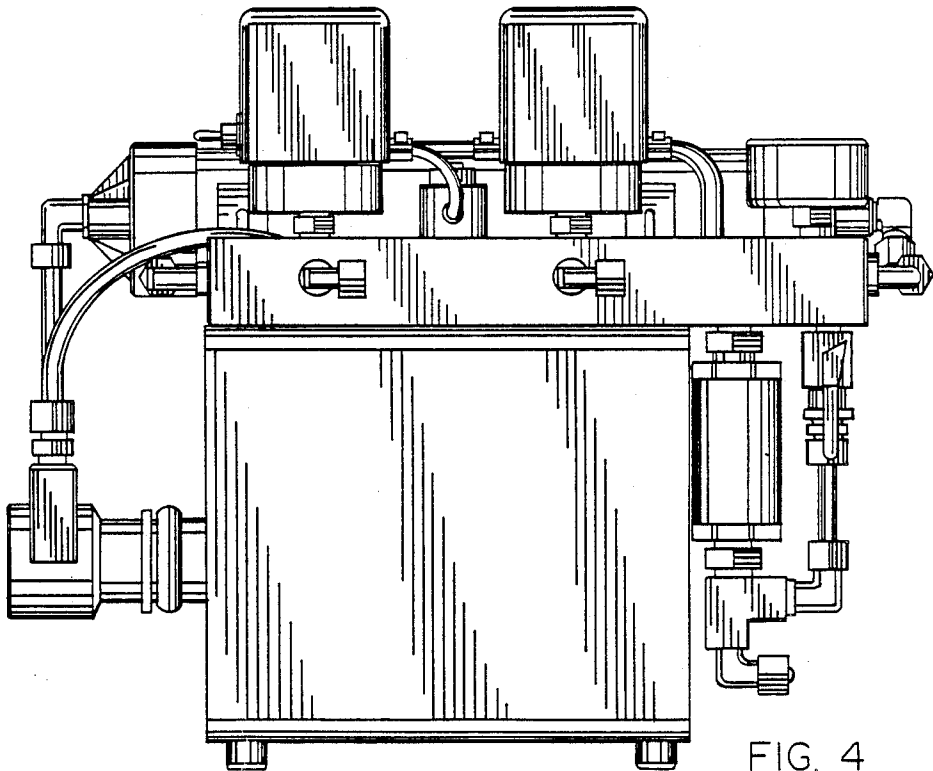


FIG. 4

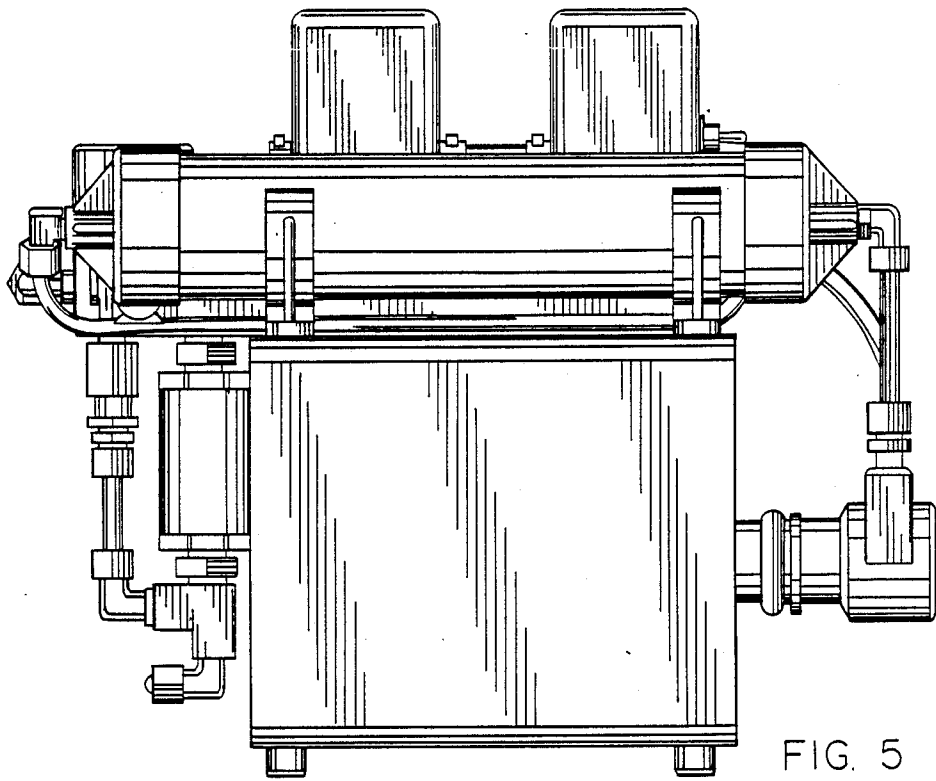


FIG. 5

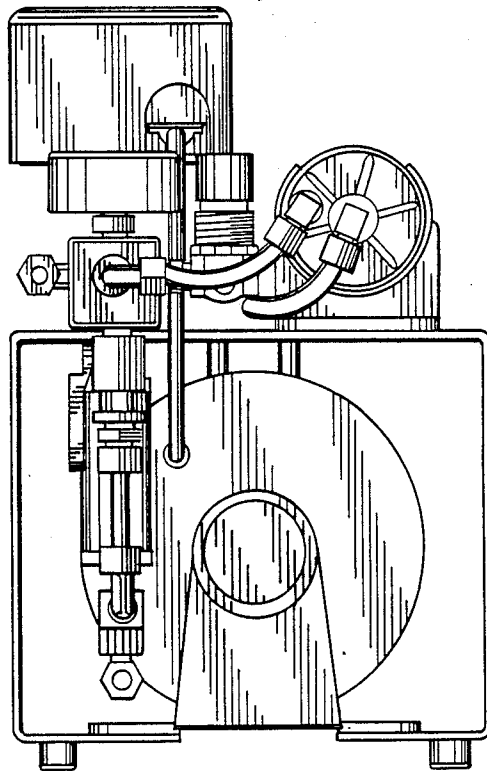


FIG. 6