



US00D337237S

United States Patent [19] Frizell

[11] Patent Number: **Des. 337,237**

[45] Date of Patent: **** Jul. 13, 1993**

| | | |
|---|--------------------------------|----------|
| [54] COOKING GRILL | 1,438,792 12/1922 Snyder | 126/21 R |
| [75] Inventor: Boyd D. Frizell, Jacksonville, Fla. | 3,517,602 6/1970 Horton | 99/482 X |
| | 4,867,051 9/1989 Schalk | 99/446 X |

[73] Assignee: **Jesse Delgado, Hartland, Wis.**

[**] Term: **14 Years**

[21] Appl. No.: **353,777**

[22] Filed: **May 18, 1989**

[52] U.S. Cl. **D7/332**

[58] Field of Search **D7/332, 337, 338, 348, D7/334; 126/21 A, 25 R, 29, 9 R; 99/425, 482, 446; D23/318, 319, 202, 205; D6/495, 499**

[56] **References Cited**

U.S. PATENT DOCUMENTS

| | | | |
|------------|--------|-----------------|--------|
| D. 243,310 | 2/1977 | Heberling | D7/337 |
| D. 295,135 | 4/1988 | Ogden | D7/334 |

OTHER PUBLICATIONS

Royal Chrome, Royal Metal Manufacturing Company, Chicago, Ill., C 1941, p. 58 #41.

Primary Examiner—A. Hugo Word
Assistant Examiner—Paula A. Mortimer
Attorney, Agent, or Firm—Jansson & Shupe, Ltd.

[57] **CLAIM**

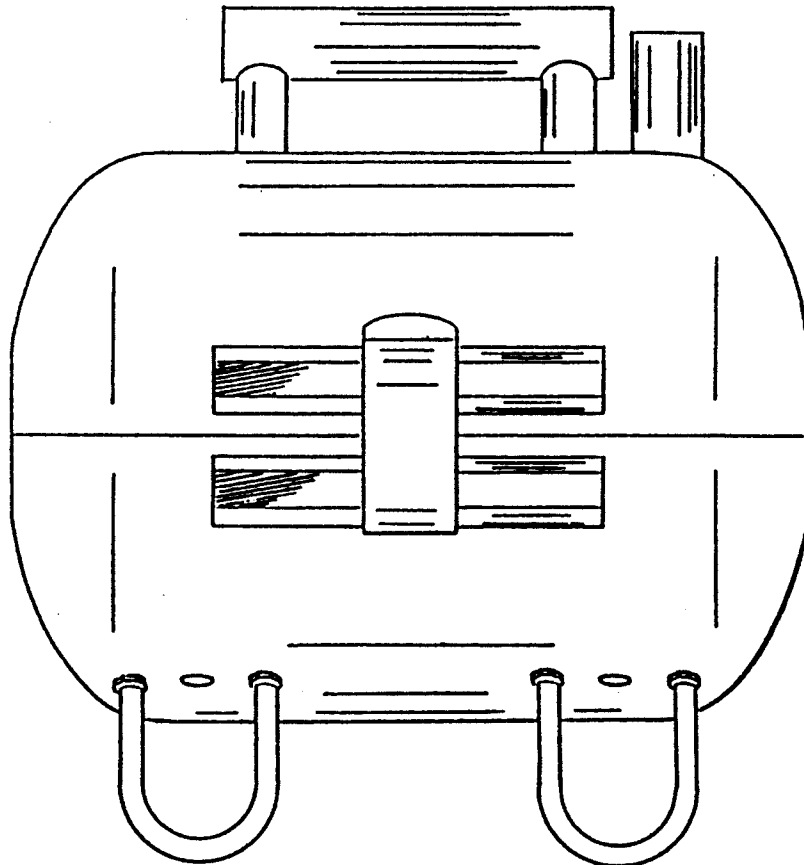
The ornamental design for a cooking grill, as shown.

DESCRIPTION

FIG. 1 is a front elevational view of a cooking grill showing my new design;

FIG. 2 is a top plan view thereof; and,

FIG. 3 is a side elevational view thereof.



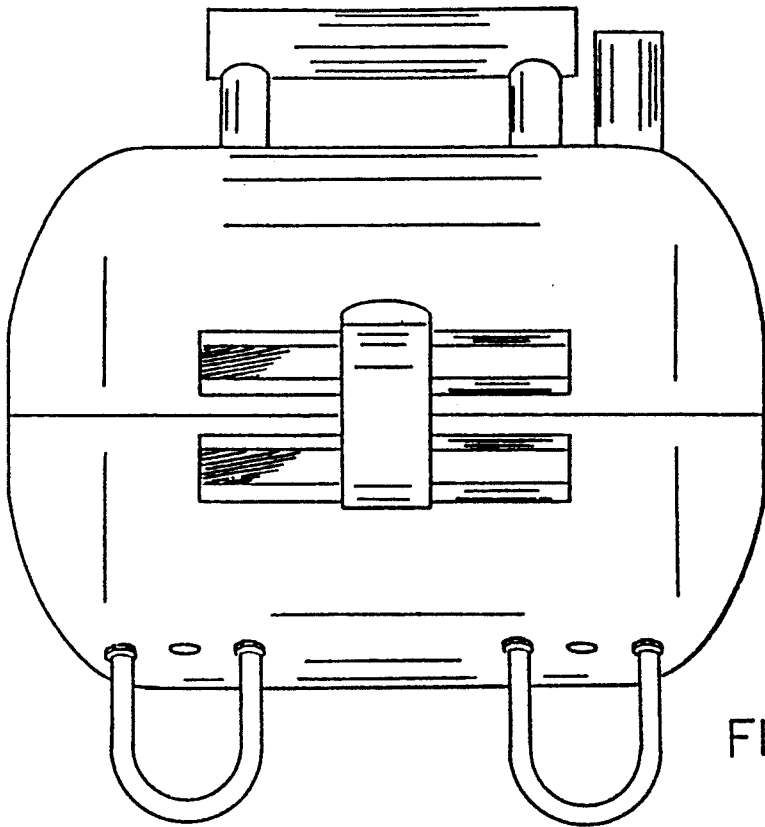


FIG. 1

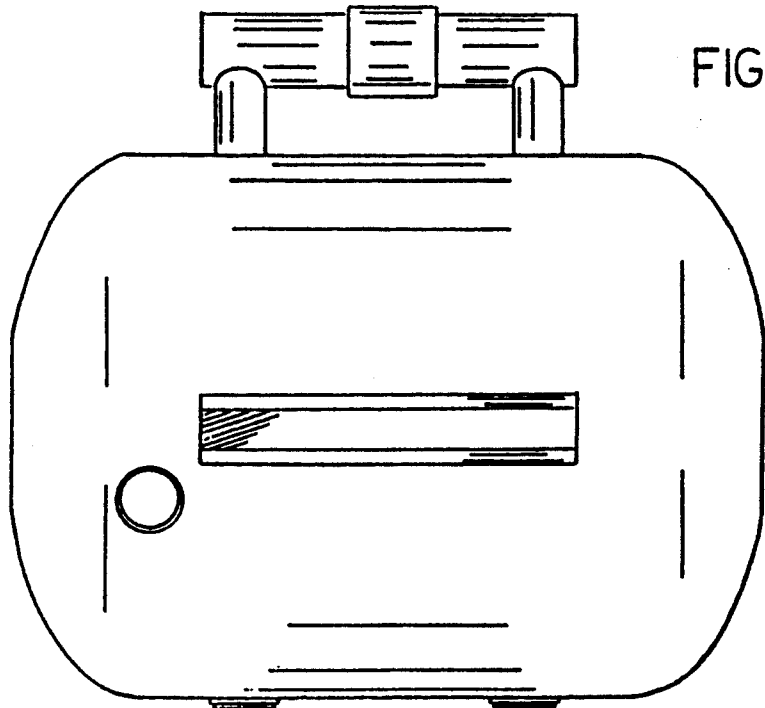


FIG. 2

FIG. 3

