



US00D511372S

(12) **United States Design Patent**
Selover

(10) **Patent No.:** **US D511,372 S**

(45) **Date of Patent:** **** Nov. 8, 2005**

(54) **FLUID INTAKE COVER**

D370,716 S * 6/1996 Menzies D23/261
6,810,537 B1 * 11/2004 Barnes et al. 4/507

(75) Inventor: **Craig Selover**, Huntington Woods, MI (US)

* cited by examiner

(73) Assignee: **Masco Corporation**, Taylor, MI (US)

Primary Examiner—Robin V. Taylor

(**) Term: **14 Years**

(74) *Attorney, Agent, or Firm*—Edgar A. Zarins; Lloyd D. Doigan

(21) Appl. No.: **29/200,045**

(57) **CLAIM**

(22) Filed: **Feb. 23, 2004**

The ornamental design for a fluid intake cover, as shown and described.

(51) **LOC (8) Cl.** **23-01**

(52) **U.S. Cl.** **D23/261**

(58) **Field of Search** D23/208, 261;
4/507; 422/264, 265; 137/268; 210/497.01,
498

DESCRIPTION

FIG. 1 is a perspective view of a fluid intake cover showing my new design;

FIG. 2 is a lower perspective view thereof;

FIG. 3 is a side view thereof; the opposite side being a mirror image of the side shown; and,

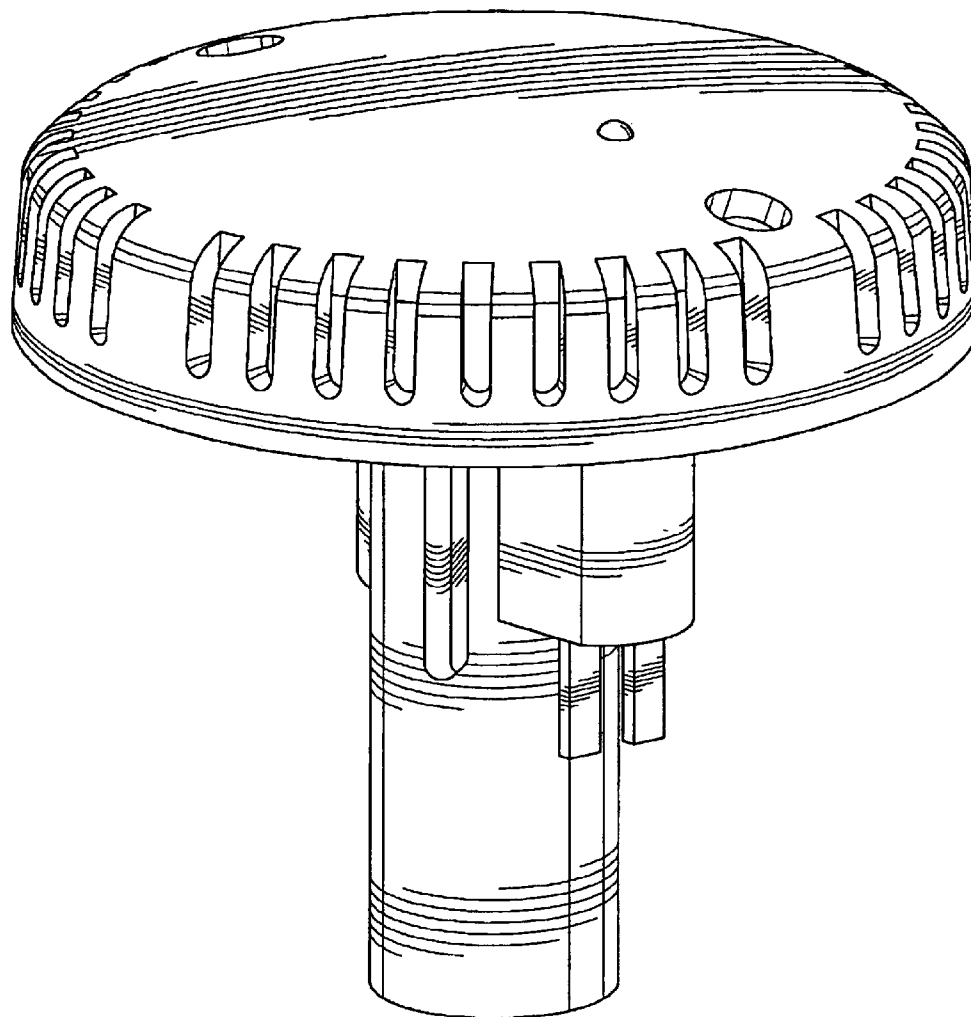
FIG. 4 is a second side view thereof.

(56) **References Cited**

U.S. PATENT DOCUMENTS

D334,616 S * 4/1993 Nimmo D23/249

1 Claim, 4 Drawing Sheets



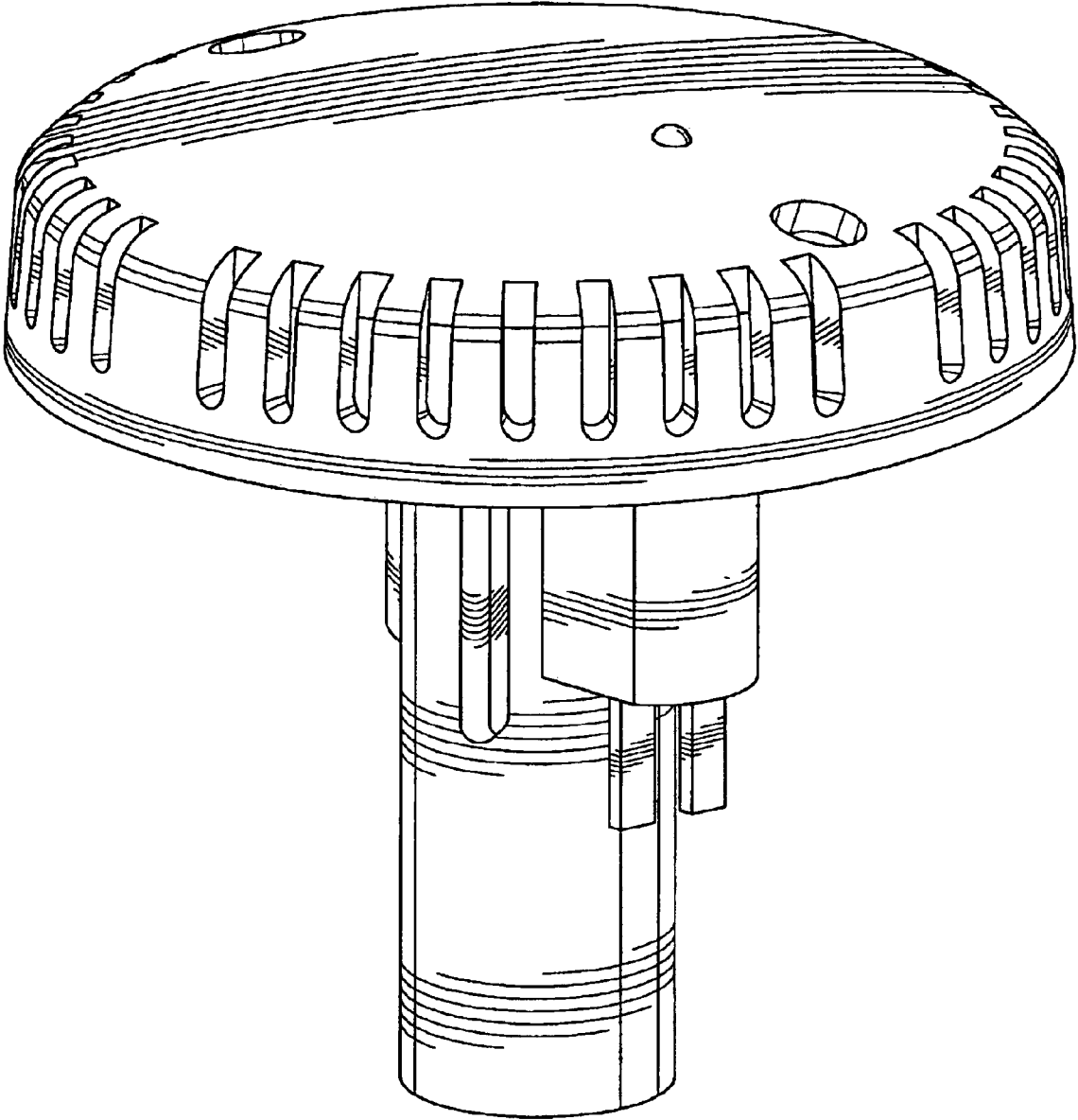


Fig-1

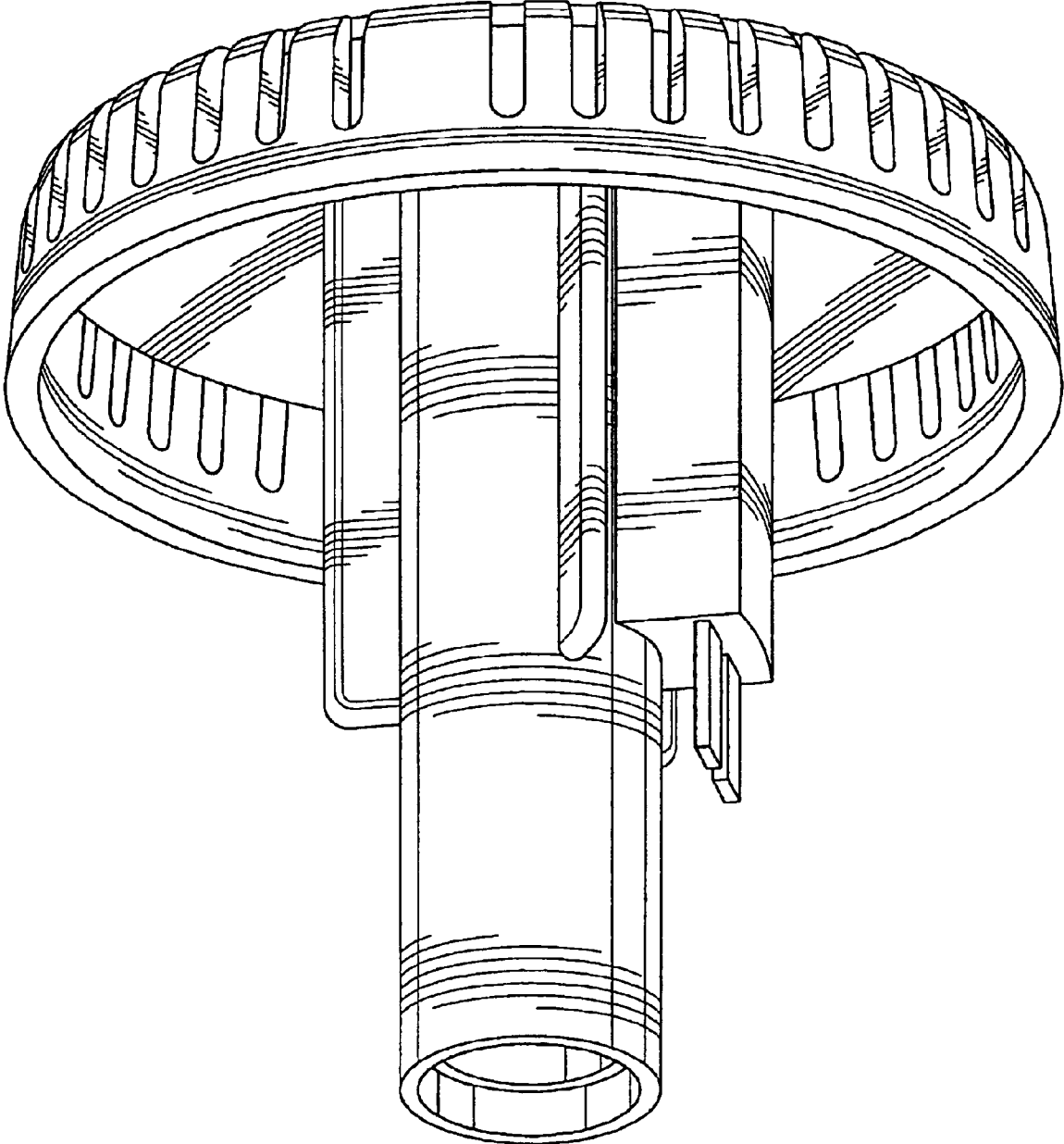


Fig-2

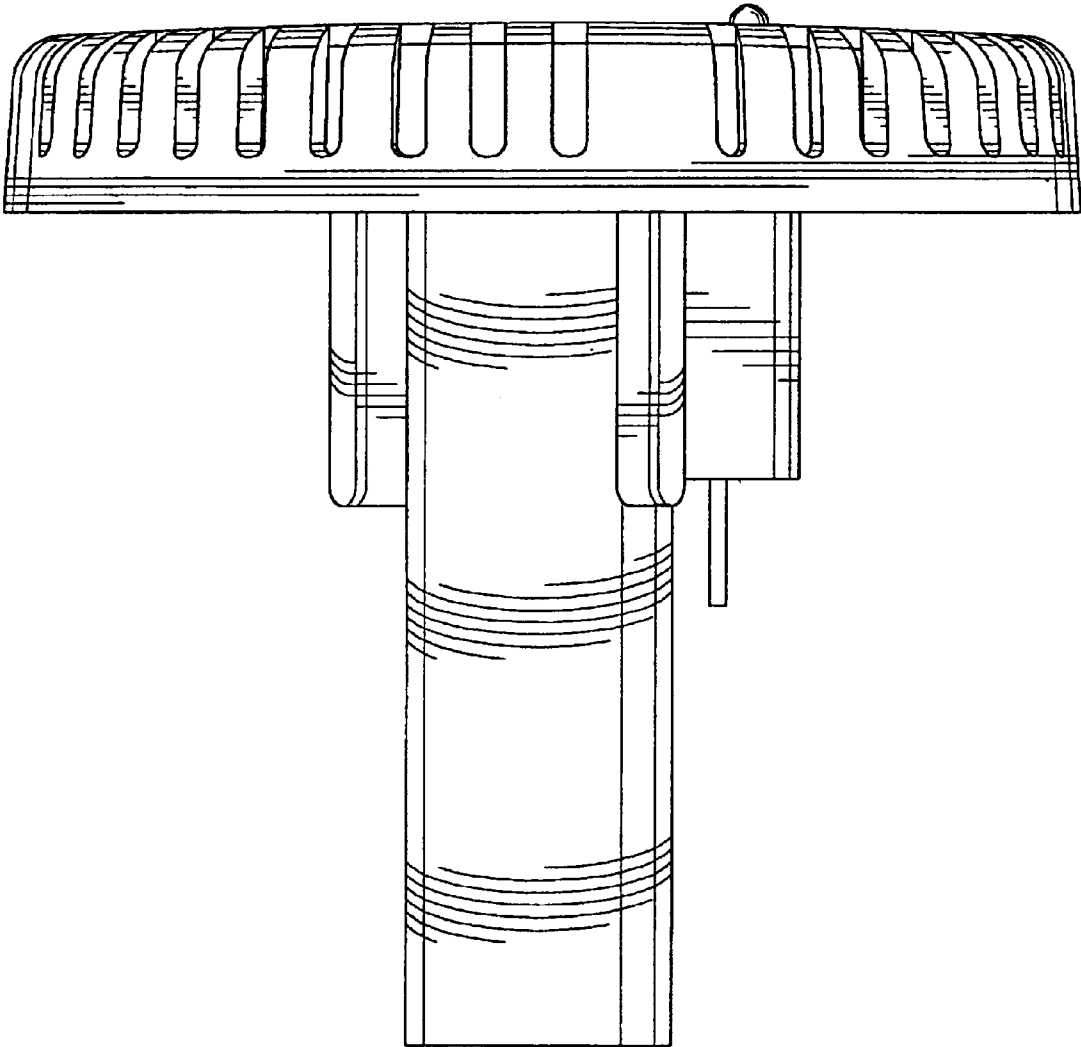


Fig-3

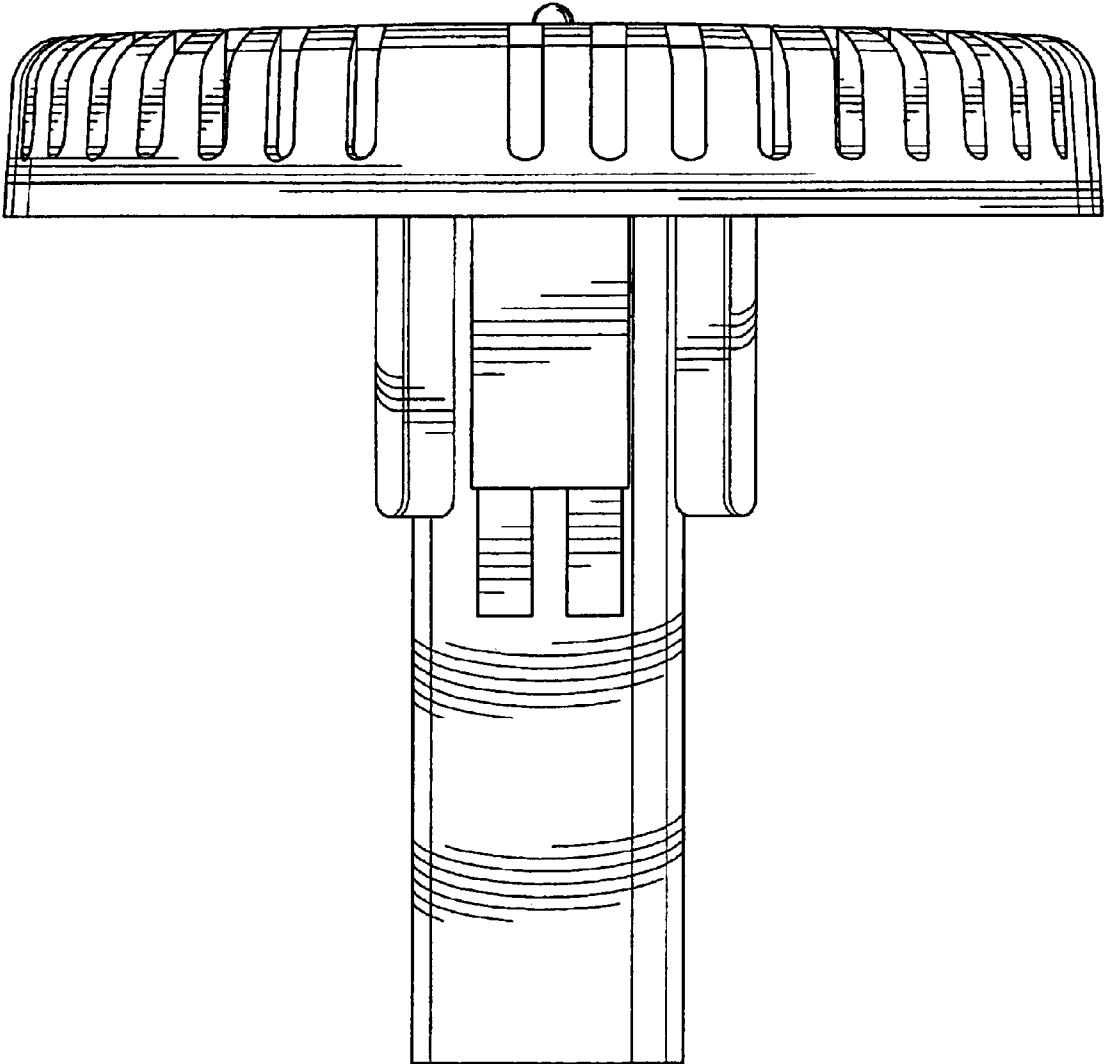


Fig-4