

(19) World Intellectual Property Organization  
International Bureau



(43) International Publication Date  
24 November 2005 (24.11.2005)

PCT

(10) International Publication Number  
WO 2005/111886 A1

(51) International Patent Classification<sup>7</sup>: G06F 17/60

[KR/KR]; #209-1202 Danggok-maeul Hyundai Apt., Poongmoo-dong Kimpo-si, Kyunggi-do 415-070 (KR).

(21) International Application Number:  
PCT/KR2005/001303

(74) Agent: CHUN, Sung Jin; Muhann Patent & Law Firm, 5th Fl., Youngpoong Building, 142 Nonhyun-dong, Kangnam-gu, Seoul 135-749 (KR).

(22) International Filing Date: 4 May 2005 (04.05.2005)

(25) Filing Language: Korean

(81) Designated States (unless otherwise indicated, for every kind of national protection available): AE, AG, AL, AM, AT, AU, AZ, BA, BB, BG, BR, BW, BY, BZ, CA, CH, CN, CO, CR, CU, CZ, DE, DK, DM, DZ, EC, EE, EG, ES, FI, GB, GD, GE, GH, GM, HR, HU, ID, IL, IN, IS, JP, KE, KG, KM, KP, KZ, LC, LK, LR, LS, LT, LU, LV, MA, MD, MG, MK, MN, MW, MX, MZ, NA, NI, NO, NZ, OM, PG, PH, PL, PT, RO, RU, SC, SD, SE, SG, SK, SL, SM, SY, TJ, TM, TN, TR, TT, TZ, UA, UG, US, UZ, VC, VN, YU, ZA, ZM, ZW.

(26) Publication Language: English

(30) Priority Data:  
10-2004-0031250 4 May 2004 (04.05.2004) KR

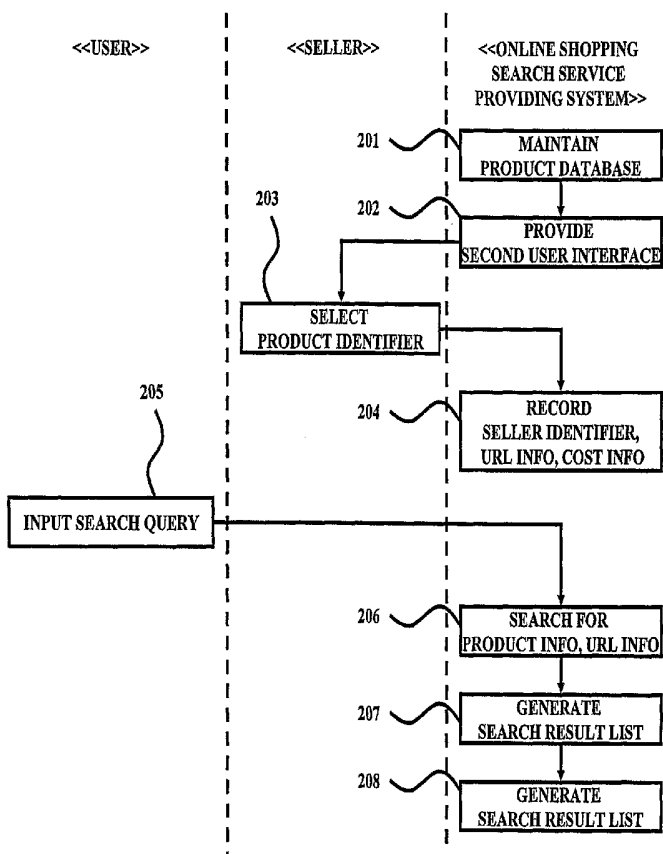
(71) Applicant (for all designated States except US): NHN CORPORATION [KR/KR]; 34th Fl., Startower Building, 737 Yoksam-dong, Kangnam-gu, Seoul 135-984 (KR).

(72) Inventor; and  
(75) Inventor/Applicant (for US only): HA, Woo Seong

(84) Designated States (unless otherwise indicated, for every kind of regional protection available): ARIPO (BW, GH, GM, KE, LS, MW, MZ, NA, SD, SL, SZ, TZ, UG, ZM,

[Continued on next page]

(54) Title: METHOD FOR PROVIDING ON-LINE SHOPPING SEARCH SERVICE AND SYSTEM THEREOF



(57) Abstract: The present invention relates to method and system for providing an online shopping search service, and more particularly, to method and system for providing an online shopping search service, which constructs a database systematically including information about a product registrant, a product registered by the product registrant and a seller who wants to sell the registered product, and performs operations associated with an online shopping search service by using the database.

WO 2005/111886 A1



ZW), Eurasian (AM, AZ, BY, KG, KZ, MD, RU, TJ, TM),  
European (AT, BE, BG, CH, CY, CZ, DE, DK, EE, ES, FI,  
FR, GB, GR, HU, IE, IS, IT, LT, LU, MC, NL, PL, PT, RO,  
SE, SI, SK, TR), OAPI (BF, BJ, CF, CG, CI, CM, GA, GN,  
GQ, GW, ML, MR, NE, SN, TD, TG).

*For two-letter codes and other abbreviations, refer to the "Guidance Notes on Codes and Abbreviations" appearing at the beginning of each regular issue of the PCT Gazette.*

**Published:**

— *with international search report*

**METHOD FOR PROVIDING ON-LINE SHOPPING SEARCH SERVICE AND  
SYSTEM THEREOF**

Technical Field

5           The present invention relates to method and system for providing an online shopping search service. More particularly, the present invention relates to method and system for providing an online shopping search service, which constructs a database systematically including information about a product registrant, a product registered by the product registrant and a seller who wants to sell the registered product, and performs  
10 operations associated with an online shopping search service by using the database.

Background Art

          As the Internet is widely distributed, now product sellers can construct an online virtual market, which is an online shopping mall. Also, Internet users can  
15 purchase any particular product or goods through the virtual market without visiting stores in person. Thanks to the appearance of such online shopping mall, now, users can save time and money by direct purchase plans, such as personal visit, an advance order, and the like. A lot of users use online shopping malls because of the above advantages. Thus, various online shopping malls are entering into the virtual market.

20           However, a conventional Internet shopping mall is being operated in such a manner that products are supplied by product suppliers and the products are directly sold to purchasers. In this type of internet shopping malls, there is a problem that product suppliers have to make efforts to open a store by individually contacting with a plurality of Internet shopping malls. Also, there is another problem that an operator of  
25 the Internet shopping mall has to take trouble since procedures of determining a product to sell at the Internet shopping mall and making a contract with a product supplier who supplies the product are not coordinated.

          In order to solve the aforementioned problems, Korean Patent Application No 10-2001-0074164 (Publication Number 2003-0043144) discloses a unified  
30 merchandising system using Internet, which can connect a supplier supplying products with an Internet shopping mall selling the products.

          The merchandising system comprises a plurality of supplier servers, a plurality

of shopping mall servers, "a merchandising server", a purchaser terminal and a financial server. The supplier servers provide product information via the Internet. The shopping mall servers display the product information on a web page having a sale channel via the Internet. "The merchandising server" is constructed via the Internet  
5 between the plurality of supplier servers and the plurality of shopping mall servers and connects the supplier servers to the shopping mall servers. The purchaser terminal transmits purchase and payment information to the shopping mall servers in order to enable a user to purchase a product corresponding to product information displayed at the plurality of shopping mall servers. The financial server, connected to the purchaser  
10 terminal, the shopping mall servers, the merchandising server and the supplier servers through the Internet, performs a payment procedure.

Although the merchandising system can make an online space where a product supplier can contact with an operator of Internet shopping mall, it still has the following problems in the prior art.

15 Even in case of using the merchandising system, the problems in the conventional Internet shopping mall service still remain. That is, i) the operator of the Internet shopping mall has to fully review each product information provided from the merchandising server, make a request for opening a store and receive authentication. ii) Although a plurality of shopping mall servers and a plurality of supplier servers are  
20 connected to the merchandising server, a user who wants to purchase a product cannot be provided with a web search service for each product being sold at the shopping mall. iii) It is impossible to provide the product supplier or the operator of the Internet shopping mall with a statistical service about a current sales state of one or more products registered by a plurality of product suppliers or that of a product at the  
25 shopping mall server which is opened via the merchandising server. iv) A procedure of processing product information into data recorded in the product database has to be fully performed on a side managing the merchandising server, in which the product information is provided by each of product suppliers. v) Even in case that the operator of the Internet shopping mall selects a product to sell, the procedure of manufacturing a  
30 web page for sales of products has to be performed by the operator.

Also, the prior art adopts a method of charging a shopping mall operator who has opened a store at a web site, based on a fixed cost or the number of products

registered by the shopping mall operator. The web site is operated by an online shopping search service server. Thus, the shopping mall operator has to pay money despite of whether a registered product is actually exposed to a user, if exposed, the number of exposures, or the number of selections from the user with respect to the registered product, for example, the number of clicks, or the like. According to such charging method, although shopping mall operators pay the same amount of money, there is a problem that unbalance between shopping mall operators having a big opening effect and shopping mall operators having a small opening effect. Also, there is another problem that an online shopping search service operator cannot make a profit since he/she cannot further charge the shopping mall operator having a bigger opening effect.

Thus, there is required the advent of new technology, constructing a regular and integrative database with respect to products registered by a plurality of product registrants, readily providing a web search service to a plurality of users who have accessed an online shopping search service server with respect to products registered by a plurality of product registrants or a plurality of sellers, and employing a reasonable charging method.

### Disclosure of Invention

#### Technical Goals

The present invention is conceived to solve the aforementioned problems in the prior art. Thus, the present invention provides method and system for providing an online shopping search service, which can provide a systematic and detailed search service with respect to all kinds of products in an online shopping mall by i) constructing a product database or a product information database automatically, systematically and in real time, in such a manner that a user interface for inputting product information systematically is provided to a product registrant and procedures of registering the product are performed and ii) if the product is selected by a seller, reflecting information associated with the seller or the product in the product database or the product information database automatically, systematically and in real time.

The present invention also provides method and system for providing an online shopping search service, which can reduce time loss and economic loss in managing an

online shopping search service server by maintaining a database storing various information on products on sale at each online shopping mall using a centralized directory system.

The present invention also provides method and system for providing an online shopping search service, which can provide a user who wants to purchase a product with a web search service with respect to all the products in each mall by largely reducing time in constructing a database by processing product information.

The present invention also provides method and system for providing an online shopping search service, which can solve unbalance in charging over opening effects between online shopping mall operators and enable an online shopping search service operator to charge the shopping mall operator having a big opening effect.

#### Technical Solutions

In order to achieve the above goals and solve the aforementioned problems in the prior art, according to one embodiment of the present invention, there is provide a method for providing an online shopping search service, comprising the steps of: maintaining a product database including a record about identification information on a product registered by a product registrant or product information associated therewith, in which the identification information includes a product registrant identifier of the product registrant and a product identifier of the product; providing a seller with a user interface for selecting the product identifier by referring to the product database; receiving a selection of the product identifier from the seller; recording a seller identifier of the seller, URL information of a web page for sales of products which is registered by the seller and cost information transmitted from the seller in the product database, in association with the selected product identifier; receiving a search query from a user; searching for product information corresponding to the search query or URL (Uniform Resource Locator) information of a web page for sales of products associated with the product information, by referring to the product database; generating a search result list by sorting the searched product information or the URL information in accordance with the cost information associated with the searched product information; and providing the user with the generated search result list.

Also, according to one embodiment of the present invention, there is provided a

system for providing an online shopping search service, comprising: a first database for maintaining a product database including a record having a field for a product registrant identifier, a product identifier or a seller identifier; a second database for maintaining a product information database including product information associated with the product identifier, URL information of a web page for sales of products associated with the seller identifier and cost information; a user interface providing means providing a seller with a user interface for selecting a product by using the product identifier or product information; a database management means recording a seller identifier of the seller in the first database in association with a product identifier of a product selected by the seller and recording URL information of a web page for sales of products associated with the seller identifier and cost information transmitted from the seller in the second database; a search query receiving means receiving a search query from a user; a search means searching for product information corresponding to the search query or URL information of a web page for sales of products associated with the product information by referring to the second database; a search result list generating means generating a search result list by sorting the searched product information or the URL information in accordance with the cost information by referring to the second database; and a search result list providing means providing the user with the generated search result list.

#### 20 Brief Description of Drawings

FIG. 1 is a view illustrating a network connection of a system for providing an online shopping search service, in one embodiment of the present invention;

FIG. 2 is a flowchart illustrating a method for providing an online shopping search service according to one embodiment of the present invention;

25 FIG. 3 is a view illustrating one example of data recorded in a product database, in one embodiment of the present invention;

FIG. 4 is a flowchart for explaining procedures of maintaining a product database, in one embodiment of the present invention;

30 FIG. 5 is a view illustrating one example of a user interface, in one embodiment of the present invention;

FIG. 6 is a view illustrating one example of a user interface enabling a seller to input a search query for searching a product, in one embodiment of the present

invention;

FIG. 7 is a view illustrating one example of a web page provided by an online shopping search service, in one embodiment of the present invention;

FIG. 8 is a flowchart illustrating a method for providing an online shopping search service according to another embodiment of the present invention;

FIG. 9 is a flowchart illustrating procedures of generating a web page for sales of products and performing a payment through the web page, in one embodiment of the present invention;

FIG. 10 is a block diagram illustrating a system for providing an online shopping search service according to another embodiment of the present invention; and

FIG. 11 is an inner block diagram of a general-purpose computer which can be employed in implementing a method for providing an online shopping search service according to the present invention.

#### Best Mode for Carrying Out the Invention

Hereinafter, method and system for providing an online shopping search service according to the present invention will be fully described with reference to the accompanying drawings.

FIG. 1 is a view illustrating a network connection of a system for providing an online shopping search service, in one embodiment of the present invention. An online shopping search service providing system 100 is connected to a terminal 110 of a product registrant, shopping mall servers 120 of sellers, or a terminal 130 of a user.

'A product registrant' used herein is the subject who registers a product to an online shopping search service providing system and in charge of distribution of the product, such as delivery of the product and the like. 'A seller' herein is the subject who selects a product registered to the online shopping search service providing system and sells the product through a predetermined online shopping mall. One subject may act as a product registrant or a seller. The seller may sell a product which is secured using another route, not the online shopping search service providing system.

FIG. 2 is a flowchart illustrating a method for providing an online shopping search service according to one embodiment of the present invention. The method for providing an online shopping search service according to the present embodiment can



be performed by a predetermined online shopping search service providing system.

In step 201, the online shopping search service providing system maintains a product database. The product database includes a record about identification information on a product registered by a product registrant or product information  
5 associated with the identification information.

The identification information is information about a product registered by a product registrant. Thus, the identification information includes a product registrant identifier of the product registrant or a product identifier of the product. Also, the product database may further include a record associated with a seller identifier.

10 The product information is information about the product. Thus, the product information can include information on a price of the product, a category thereof, image data thereof, and the like. Further description related thereto will be described later.

FIG. 3 is a view illustrating one example of data recorded in the product database. Drawing symbol 3a is a record about identification information. Drawing  
15 symbol 3b is a record about product information associated with a product identifier or identification information. Drawing symbol 3c is a record about a seller identifier associated with the product identifier or the identification information, URL information of a web page for sales of products, and cost information transmitted from a seller. Configuration of the product database, which is configuration of a field or a record, in  
20 FIG. 3 is exemplary. Thus, it will be apparent to those skilled in the related art that a method of constructing a database can be variously selected. The database can efficiently indicate relations with identification information, a product registrant identifier, a product identifier, product information, a seller identifier, URL information of a web page for sales of products, or cost information.

25 The step 201 of maintaining the product database will be further fully described with reference to FIG. 4.

In step 401, the online shopping search service providing system records and maintains a product register for specifying each product, in a product register database for each product. A conventional product register which is in a type of an electronic  
30 document, can be used for the product register.

The product register is used for specifying the product by each product. For example, each of product registers exists for each of models, such as 'Exilim EX M1',

'Exilim EX M2', 'Exilim EX Z3', 'Exilim EX Z4', etc, which are digital cameras manufactured by 'casio'.

Table 1 illustrates one example of the product register for 'Exilim EX M1'

[Table 1]

Exilim EX M1			
Manufacturer	casio	Pixels	1.3 mil
Mode	normal	Memory capacity	14M
Storage method	SD card/MMC	CCD	
Features	Moving pictures, voice recording; MP3 player function; USB		
Description			
...			

5 In step 402, the online shopping search service providing system provides a product registrant with a first user interface for selecting a product register by referring to the product register database. Before performing the step 402, the online shopping search service providing system may enable a user who wants to register a product to perform an enrolling procedure for a product registrant or an authenticating procedure.  
 10 Through the procedure, a product registrant identifier can be given to the product registrant.

For example, a web page as illustrated in FIG. 5 may be used for the first user interface.

15 The online shopping search service providing system provides a product registrant with a web page as illustrated by drawing symbol 5a. In case that the product registrant clicks a button for 'select product category' (drawing symbol 501) using a mouse, the online shopping search service providing system can provide the product registrant with a web page through which the product registrant can select a category as illustrated by drawing symbol 5b. That is, in case that the product  
 20 registrant selects a category using a mouse, the online shopping search service providing system can provide the product registrant with product registers belonging to the category or lower categories of the category and through this, enables the product registrant to search for the product registers by a category-oriented searching method.

Also, as indicated by drawing symbols 502 and 503, the online shopping search

service providing system can enable the product registrant to search for the product register by using a model name of the product or a manufacturer thereof. Also, although not illustrated, the online shopping search service providing system may enable the product registrant to search for the product register by a keyword-oriented  
5 searching method.

In case that a search query is received from the product registrant by the aforementioned searching method, the online shopping search service providing system searches for a product register corresponding to the search query and generates a search result list for the searched product register. The generated search result list can be  
10 provided to the product registrant as indicated by drawing symbol 504. In step 403, the product registrant can first read product registers (or description thereof) by clicking a 'show' button (drawing symbol 505) and later, select any wanted product register by clicking a 'send' button (drawing symbol 506).

Meanwhile, in case that there is no product register corresponding to the search  
15 query as a result of the search, the online shopping search service providing system can provide the product registrant with a user interface through which the product registrant can register a product register. At this time, in order to prevent that a plurality of product registers for the same product exist or that an unnecessary product register is generated, an operator of the online shopping search service providing system may  
20 perform a procedure of inspecting a product register received from the product registrant, before registering the product register.

In step 403, the product registrant inputs product information on a product that he/she wants to register.

At this time, in case that the product register as aforementioned in the table 1 is  
25 selected, the product registrant may use product information, for example, 'pixels', included in the product register as it is, and input additional product information only.

The product information may include information on a price of the product, a category thereof, image data thereof, whether the product is genuine goods, whether an after-sale service thereof is paid or free, size or color thereof, the number thereof, a  
30 delivery method thereof and a registration date thereof and whether a gift or a point is offered to a purchaser of the product, a payment method of the product (whether a credit card or a payment by installment is available) and the like. At this time, the online

shopping search service providing system may use a category of the product, image data thereof, and size or color thereof, included in the selected product register, as it is, from the product information, without receiving the same from the product registrant.

In step 404, the online shopping search service providing system generates a product identifier by using the selected product register and the received product information. That is, the online shopping search service providing system generates a product identifier associated with the selected product register and the received product information.

In step 405, the online shopping search service providing system generates identification information. The identification information includes a product registrant identifier for identifying the product registrant or the product identifier.

In step 406, the online shopping search service providing system records a record in the product database. The record includes the generated identification information and the product information. Also, the online shopping search service providing system can record only relation with the selected product register in the product database to inquire about product information included in the selected product register, without repeatedly recording the product information, recorded in the product register database in association with the product register, in the product database.

Referring to drawing symbol 3a, product registrant 'wisjjang' has registered three kinds of products. The products are identified by product identifiers 'a11112', 'a11113' and 'a11114', respectively. A product identified by the product identifier 'a11112' (hereinafter, product 'a11112') may be a different kind of product from product 'a11113'. For example, the product 'a11112' may be clothing and the product 'a11113' may be a refrigerator.

Also, the product 'a11112' and the product 'a11113' may be the same kind of products, i.e. products associated with the same product register. Only product information between the products may be different. For example, while the product 'a11112' is digital camera 'Exilim EX M1' selling at 460,000 won and offering a paid deliver service, the product 'a11113' may be digital camera 'Exilim EX M1' selling at 470,000 won, offering a free delivery service or a gift.

Meanwhile, although the present embodiment includes the step of generating identification information including a product registrant identifier or a product identifier,

the product registrant identifier or the product identifier may be respectively used without generating the identification information.

Through the aforementioned procedures, the product database can be constructed as illustrated in drawing symbol 3a or 3b. Procedures of constructing a record about the seller identifier, URL information of a web page for sales of goods, and cost information, as illustrated in Drawing symbol 3c, will be described later.

In step 202, the online shopping search service providing system provides a seller with a second user interface for selecting a product, more exactly a product identifier, by referring to the product database. Before performing the step 202, the online shopping search service providing system may enable a user who wants to select a product to perform an enrolling procedure for a seller or an authenticating procedure. Through the procedure, a seller identifier can be given to the seller.

For example, the online shopping search service providing system enables the seller to select a product by using a keyword-oriented searching method or a category-oriented searching method. Also, it is preferable to enable the seller to search by using an appropriate search query for each category. For example, in case that the seller selects a category of digital cameras, the online shopping search service providing system can provide the seller with a web page for inputting a search query, as illustrated in FIG. 6.

As indicated by drawing symbol 601, the online shopping search service providing system enables a seller to select a category of 'digital cameras' using a category-oriented searching method. Also, as indicated by drawing symbol 602, online shopping search service providing system can provide the seller with a user interface for inputting a search query, such that through the user interface, the seller can easily search for a wanted digital camera in the category.

The user interface as indicated by drawing symbol 602 may be determined differently for each category. For example, in a 'formal attire' category, the user interface can be set to enable the seller to input a selection of 'one piece/two piece/three piece suite', 'size', 'price', and the like.

In case that the seller clicks a 'type' button (drawing symbol 603) using a mouse, the online shopping search service providing system enables the seller to select a type of digital cameras, as illustrated in (b) of FIG. 6. In case that the seller selects 'normal

type' through a mouse click or the like, a list of product information about general digital cameras among product information recorded in the product database is provided to the seller.

In step 203, the seller confirms the provided list of product information and  
5 selects a product identifier associated with product information. Specifically, in case that the seller selects product information from the product information list, a product identifier associated with the product information can be embodied to be selected.

As described by referring to FIG. 4, the online shopping search service providing system embodies the first user interface, such that 1) a product is registered  
10 for each product register and product information for each category is inputted. Thus, each of data such as product information and the like can be systematically recorded in the product database.

Accordingly, the online shopping search service providing system enables the seller to input various search queries easily for each category by referring to the product  
15 database. On the other hand, the online shopping search service providing system provides the seller with exact search results.

In step 204, the online shopping search service providing system records a seller identifier of the seller, URL information of a web page for sales of products registered by the seller and cost information transmitted from the seller, in the product  
20 database in association with the selected product identifier.

At this time, the URL information is URL information of a web page for sales of products where a product associated with the product identifier is being sold among web pages provided at a shopping mall server of the seller.

Also, the cost information may be information about a fee or commission which  
25 the seller has paid or will pay to an operator of the online shopping search service enabling the seller to select a product registered to the online shopping search service providing system and to sell the selected product through a predetermined online shopping mall. In addition, the cost information may be advertising costs which the seller has paid or will pay to the operator of the online shopping search service in order  
30 to advertiser his/her online shopping mall.

According to one embodiment of the present invention, there is provided a method for providing an online shopping search service, in which the online shopping

search service providing system performs the step of receiving information on a selling period of a product associated with the selected product identifier from the seller and the cost information is determined based on the selling period. According to the present embodiment, the seller is enabled to pay in accordance with the length of a period  
5 during which the selected product is sold. Thus, it is possible to construct a more reasonable charging system.

Through the above procedures, a record as illustrated in drawing symbol 3c can be generated. Also, the online shopping search service providing system can record URL information of the web page for sales of products and the cost information in  
10 association with the product identifier and the seller identifier.

Hereinafter, procedures of providing a user with an online shopping search service will be described with reference to the product database. The online shopping search service providing system can provide an online shopping search service of a keyword-oriented searching method or a category-oriented searching method, which  
15 enables a user to request a search by inputting a search keyword or selecting a category. Also, the online shopping search service providing system provides the user with the user interface as illustrated in FIG. 6, and may enable the user to input a search query maximized for each category. In step 205, the user inputs a search query in the online shopping search service providing system by using the aforementioned method or other  
20 various methods.

In step 206, the online shopping search service providing system searches for product information corresponding to the search query by referring to the product database or searches for URL information of a web page for sales of products associated with the product information.

25 In step 207, the online shopping search service providing system generates a search result list by sorting the searched product information or the URL information in accordance with cost information associated with the searched product information, by referring to the product database. According to one embodiment of the present invention, the online shopping search service providing system can sort the searched  
30 product information or the URL information in ascending or descending of the cost information in step 207.

In step 208, the online shopping search service providing system generates a

search result list by sorting the searched product information or the URL information.

According to configuration such constructed, users can be provided with an integrative online shopping search service for products being sold at each online shopping mall by accessing the online shopping search service providing system.

5 In the prior art, in case that an online shopping mall is connected with an online shopping search service providing system and an online shopping search service for products being sold at the online shopping mall is provided to users, the online shopping search service is being operated for some items of products only.

10 In order to provide an online shopping search service of the above type, an operator of an online shopping search service providing system in the prior art is provided with product information data, which includes information about products being sold at the shopping mall server, from a database of each shopping mall server. However, in the prior art, configuration of the database provided at each shopping mall server is different for each online shopping mall. Thus, the operator should perform  
15 procedures of constructing a product database, required to provide an online search service in the online search service providing system, by referring to the database manually one by one.

20 However, as aforementioned, according to the present invention, the product database can be automatically constructed in the online shopping search service providing system, while a product registrant inputs product information including price information of a product and registers the product and a seller selects the registered product.

25 That is, since a product registrant registers a product by using a user interface provided at the online shopping search service providing system, data associated with each of product registrants is recorded in the product database in the same or similar structure. Thus, the product database can systematically manage relation of the product registrant, product information on the product registered by the product registrant, and a seller who selects the product. In these aspects, a method for providing an online shopping search service according to the present invention can  
30 provide a user with an online shopping search service for the entire shopping malls.

Hereinafter, in providing a user with an online shopping search service for a product according to the present invention, embodiments capable of additionally



providing a product registrant or a seller with a predetermined premium service will be described.

In a method for providing an online shopping search service according to one embodiment of the present invention, the step 206 may include the step of searching for  
5 second product information or second URL information of a web page for sales of products associated with the second product information.

The step 207 may include the step of generating a second search result list by sorting the searched second product information or second URL information. The step 208 may include the step of controlling the generated second search result list to be  
10 exposed on a predetermined location of a web page to be provided to the user. Also, the step 208 may further include the step of indicating predetermined display information in the generated second search result list.

In a method for providing an online shopping search service according to the present embodiment, an online shopping search service for products is basically  
15 provided. Also, product information and URL information satisfying a predetermined criterion can be provided to a user in a different type from a general search result list. For example, a special room can be prepared on a web page provided to a user terminal, such as "a room for recommending products", "a room for recommending shopping malls", "a sponsor link", or the like. The second search result list can be provided to  
20 the special room. Also, at the same time, it is possible to indicate advertising such as "AD" with respect to items included in the second search result list, as the display information, or to indicate recommendation such as "recommending shopping malls".

Meanwhile, in a method for providing an online shopping search service according to another embodiment of the present invention, the step 206 includes the  
25 step of searching for second product information or second URL information of a web page for sales of products associated with the second product information. The step 208 includes the steps of indicating predetermined display information in a particular item of the generated search result list and providing the user with the search result list having the display information. At this time, the particular item is an item associated  
30 with the searched second product information or second URL information.

In a method for providing an online shopping search service according to the present embodiment, an online shopping search service for products is basically

provided. Also, product information and URL information satisfying a predetermined criterion can be provided to a user, in which predetermined display information is added in a search result list. For example, it is possible to indicate advertising such as "AD" in the search result list, as the display information, or to indicate recommendation such as "recommending shopping malls".

FIG. 7 is a view illustrating one example of a web page provided by an online shopping search service according to the embodiment capable of providing a predetermined premium service additionally. As illustrated in FIG. 7, it is possible to generate a separate list of products provided at a shopping mall and to expose the list on an upper portion of a web page where online shopping search results are provided. At the same time, it is also possible to expose the list in a different type from other lists by adding display information such as "AD" or the like. Also, it is possible to make display information different in a general search result list, by using an indication of "recommending shopping malls" or the like. The web page illustrated in FIG. 7 is exemplary. A method of efficiently displaying product information can be selected variously.

According to one embodiment of the present invention, there is provided a method for providing an online shopping search service in which the online shopping search service providing system further performs the step of maintaining a second database, and the second database includes information on the number of inputted selections from a second user for the product information or the URL information, and the second product information and the second URL information is product information and URL information of which the information on the number of inputted selections exceeds a predetermined numerical value. According to the present embodiment, product information or URL information of which the number of inputted selections by other users using a click or the like is high can be preferentially provided to a user. Thus, there is an effect that it is possible to satisfy desire of the user who wants to be provided with popular product information through the online search service.

Also, according to one embodiment of the present invention, there is provided a method for providing an online shopping search service in which the online shopping search service providing system further performs the step of maintaining a second database, and the second database includes information on the number of exposures of

the product information or the URL information to a second user, and the second product information and the second URL information is product information and URL information of which the information on the number of exposures exceeds a predetermined numerical value. According to the present embodiment, product information or URL information which is more frequently exposed to other users because of the high number of times corresponding to search queries inputted by other users can be preferentially provided to a user. Thus, there is an effect that it is possible to satisfy desire of the user who wants to be provided with popular product information through the online search service.

10 Also, according to one embodiment of the present invention, there is provided a method for providing an online shopping search service in which the online shopping search service providing system further performs the step of maintaining a second database, and the second database includes information on the number of inputted selections from a second user for the product information or the URL information, and information on the number of exposures of the product information or the URL information to the second user, and the second product information and the second URL information is product information and URL information of which the information on the number of inputted selections over the information on the number of exposures exceeds a predetermined numerical value. According to the present embodiment, product information or URL information of which the number of inputted selections is high in comparison with the number of exposures to other users can be preferentially provided to a user. Thus, there is an effect that it is possible to satisfy desire of the user who wants to be provided with product information frequently selected by the public.

25 Also, according to one embodiment of the present invention, there is provided a method for providing an online shopping search service in which the online shopping search service providing system further performs the step of maintaining a second database, and the second database includes information on the number of inputted selections from a second user with respect to the product information or the URL information and information on the quantity of sold products with respect to a product associated with the product information and the second product information and the second URL information is product information and URL information of which the

30

information on the quantity of sold products over the information on the number of inputted selections exceeds a predetermined numerical value. Although product information or URL information is selected frequently, there may be no substantial purchasing. Thus, according to the present embodiment, there is an effect that it is possible to satisfy desire of a user who wants to be preferentially provided with product information associated with a product which is being purchased at high frequency by the public.

Also, according to one embodiment of the present invention, there is provided a method for providing an online shopping search service in which the second product information and the second URL information is associated with a product that a second seller sells; and the second seller is a seller who has transmitted cost information exceeding a predetermined standard amount. The standard amount can be determined in advance by a service operator. According to the present embodiment, sellers who want to provide their product information to users preferentially pay more to the service operator. Thus, there is an effect that it is possible to improve profits that the service operator can obtain by providing of service.

According to another embodiment of the present invention, there is provided a method for providing an online shopping search service in which online shopping search results are sorted in accordance with the number of times that product information is selected by users, the number of times that the product information is exposed to users, or the quantity of sold products. Hereinafter, this embodiment will be described.

FIG. 8 is a flowchart illustrating a method for providing an online shopping search service according to one embodiment of the present invention. The method for providing an online shopping search service according to the present embodiment is performed by a predetermined online shopping search service providing system.

The online shopping search service providing system performs steps 801 to 809. At this time, the steps 801 to 803, steps 806 and 807, and step 809 correspond to steps 201 to 203, steps 205 and 206, and step 208 in FIG. 2, respectively. Thus, further description related thereto will be omitted and the other steps will be described.

In step 804, the online shopping search service providing system records a seller identifier of a seller or URL information of a web page for sales of products

registered by the seller in a product database in association with a selected product identifier.

In step 805, the online shopping search service providing system maintains a second database. The second database includes information on the number of inputted  
5 selections from a first user with respect to product information or URL information of a web page for sales of products associated with the product information.

In step 808, the online shopping search service providing system generates a search result list by sorting searched product information or URL information in accordance with the number of inputted selections by referring to the second database.

10 By performing the above steps, the online shopping search service providing system can provide a second user with product information which is sorted in ascending or descending of information on the number of inputted selections. Thus, it is possible to satisfy desire of the second user who wants to be preferentially provided with product information of which the number of inputted selections is high.

15 According to one embodiment of the present invention, there is provided a method for providing an online shopping search service in which the information on the number of inputted selections is generated by counting the number of times that the product information or the URL information of a web page for sales of products associated therewith is selected by the first user during a predetermined time interval,  
20 and in step 808 the online shopping search service providing system generates the search result list by sorting only product information or URL information of which the information on the number of inputted selections exceeds a predetermined numerical value, from the searched product information or the URL information by referring to the second database. According to the present embodiment, since product information of  
25 which the number of inputted selections does not reach a predetermined numerical value during a certain period is not included in a search result list, it is possible to control the number of listings of online shopping search results automatically. Thus, there is an effect that a user is provided with the appropriate number of search listings only and can save time finding out wanted product information.

30 Also, according to one embodiment of the present invention, there is provided a method for providing an online shopping search service in which the online shopping search service providing system further includes the step of generating charging

information with respect to a product registrant or a seller in accordance with the information on the number of inputted selections by referring to the second database. According to the present embodiment, since a product registrant or a seller is charged based on how much users are interested in a product registered by the product registrant or sold by the seller, a more reasonable charging system can be constructed.

According to another embodiment of the present invention, there is provided a method for providing an online shopping search service, providing product information by sorting the same in accordance with the number of times that the product information is exposed to a user.

In step 805, the online shopping search service providing system maintains a second database. The second database includes information on the number of exposures of the product information or URL information of a web page for sales of products associated therewith to a first user. In step 808, the online shopping search service providing system generates a search result list by sorting the searched product information or URL information in accordance with the information on the number of exposures by referring to the second database.

By performing the above steps, the online shopping search service providing system can provide a second user with product information which is sorted in ascending or descending of information on the number of exposures. Thus, it is possible to satisfy desire of the second user who wants to be preferentially provided with product information of which the number of exposures is high.

According to one embodiment of the present invention, there is provided a method for providing an online shopping search service in which the information on the number of exposures is generated by counting the number of times that the product information or the URL information of a web page for sales of products associated therewith is exposed to the first user during a predetermined time interval; and in step 808, the online shopping search service providing system generates the search result list by sorting only product information or URL information of which the information on the number of exposures exceeds a predetermined numerical value from the searched product information or the URL information by referring to the second database. According to the present embodiment, since product information of which the number of exposures does not reach a predetermined numerical value during a certain period is

not included in a search result list, it is possible to control the number of listings of online shopping search results automatically. Thus, there is an effect that a user is provided with the appropriate number of search listings only and can save time finding out wanted product information.

5           Also, according to one embodiment of the present invention, there is provided a method for providing an online shopping search service in which the online shopping search service providing system further includes the step of generating charging information with respect to a product registrant or a seller in accordance with the information on the number of exposures by referring to the second database.  
10   According to the present embodiment, since a product registrant or a seller is charged based on how much users are interested in a product registered by the product registrant or sold by the seller, a more reasonable charging system can be constructed.

          According to another embodiment of the present invention, there is provided a method for providing an online shopping search service, providing online shopping  
15   search results in accordance with the quantity of sold products.

          In step 805, the online shopping search service providing system according to the present embodiment maintains a second database. The second database includes information on the quantity of sold products with respect to the product, in association with the seller identifier or URL information of a web page for sales of products  
20   registered by the seller. In step 808, the online shopping search service providing system generates a search result list by sorting the searched product information or URL information in accordance with the information on the quantity of sold products by referring to the second database.

          By performing the above steps, the online shopping search service providing  
25   system can provide a user with product information which is sorted in ascending or descending of information on the quantity of sold products. Thus, it is possible to satisfy desire of the user who wants to be preferentially provided with product information of which the number of sold products is high.

          According to one embodiment of the present invention, there is provided a  
30   method for providing an online shopping search service in which the online shopping search service providing system generates a web page for sales of products in association with a shopping mall site of a seller and in case that purchasing is completed

through the web page, the information on the quantity of sold products can be generated by receiving payment information.

FIG. 9 is a flowchart illustrating procedures of generating a web page for sales of products and performing a payment through the web page according to the present embodiment. In step 901, the online shopping search service providing system transmits identification information and product information associated with a selected product identifier, to a shopping mall server supporting a shopping mall site of the seller.

In step 902, the online shopping search service providing system generates a web page for sales of products with respect to a product associated with the selected product identifier in association with the shopping mall site, by using the transmitted identification information and product information. In this case, since the identification information and the product information are standardized, a program can be used and the program enables the web page for sales of products to be generated automatically by using the identification information and the product information. Also, the product information can be displayed on the web page for sales of products. The shopping mall server can store the identification information in association with the web page for sales of products.

The present embodiment generates the web page for sales of products by using identification information or product information recorded in the product database as it is. Thus, according to the present embodiment, data is recorded in a database of the shopping mall server, in the same or similar structure to the product database. In this aspect, a method for providing an online shopping search service according to the present embodiment can provide an online shopping search service for the entire shopping malls.

Step 903 corresponds to step 804. In this step, the online shopping search service providing system records URL information of the generated web page for sales of products in the product database.

In case that a request for purchasing and a payment is made for the product by a purchaser accessing the web page for sales of products in step 904, the shopping mall server transmits payment information on the payment to the online shopping search service providing system in step 905. In this case, the payment information includes the identification information on the product and purchasing information on the number



of purchased products. Also, the payment information may include information on a purchasing price of the product, information on a delivery place thereof, and the like.

In this case, the online shopping search service providing system can identify a product registrant who has registered a product on sale at the web page for sales of products, by using identification information included in the transmitted payment information. Also, the online shopping search service providing system can generate information on the quantity of sold products in relation to how many the products are being sold, by using the number of times that payment information including identification information on the product is transmitted and purchase information on the number of purchased products included in the payment information.

According to the present embodiment, the online shopping search service providing system can generate information on rankings of sold products based on the information on the quantity of sold products and store the generated information on rankings of sold products in a predetermined database. The online shopping search service providing system can generate a search result list by sorting searched product information or URL information in accordance with the information on rankings of sold products, and provide a user with the generated search result list. In this case, the online shopping search service providing system can sort the searched product information or the URL information in ascending or descending of the information on rankings of sold products. According to the present embodiment, it is possible to provide an online shopping search service providing method, enabling a user to select and purchase a product more conveniently by preferentially providing the user with product information associated with a popular product of which unit sales is good.

The embodiments of the present invention include computer readable media including program instructions to implement various operations embodied by a computer. The media may also include, alone or in combination with the program instructions, data files, data structures, tables, and the like. The media and program instructions may be those specially designed and constructed for the purposes of the present invention, or they may be of the kind well known and available to those having skill in the computer software arts.

Hereinafter, a system for providing an online shopping search service according to another embodiment of the present invention will be described. FIG. 10 is a block

diagram illustrating the online shopping search service providing system according to the present embodiment.

An online shopping search service providing system 1000 according to the present embodiment includes a first database 1001, a second database 1002, a user interface providing means 1003, a database management means 1004, a search query receiving means 1005, a search means 1006, a search result list generating means 1007, and a search result list providing means 1008.

The first database 1001 maintains a product database. The product database includes a record having a field for a product registrant identifier, a product identifier or a seller identifier.

The second database 1002 maintains a product information database. The product information database includes product information associated with the product identifier, URL information of a web page for sales of products associated with the seller identifier and cost information.

The product registrant identifier is used for identifying a product registrant who registers a product by inputting product information in the product information database. The product identifier is used for identifying a product associated with product information inputted by the product registrant. The seller identifier is used for identifying a seller who selects a product by using product information registered in the product information database and sells the selected product.

Also, the cost information may be information about a fee or commission which the seller has paid or will pay to an operator of the online shopping search service enabling the seller to select a product registered to the online shopping search service providing system and to sell the selected product through a predetermined online shopping mall. In addition, the cost information may be advertising costs which the seller has paid or will pay to the operator of the online shopping search service in order to advertiser his/her online shopping mall.

A seller can inquire about product information recorded in the product information database by using a user interface provided by the user interface providing means 1003. The user interface providing means 1003 may provide a user interface through which the seller searches for the product information. At this time, the online shopping search service providing system 1000 further includes a search engine (not

illustrated). As aforementioned in the above embodiment, the online shopping search service providing system 1000 can provide a search service using various searching methods such as a keyword-oriented searching method, a category-oriented searching method, and the like. At this time, the online shopping search service providing system 1000 may further include a search engine (not illustrated).

The seller selects a product which is on sale under a predetermined condition, by referring to product information using the user interface.

The database management means 1004 records a seller identifier of the seller in the first database 1001 in association with a product identifier of a product selected by the seller and records URL information of a web page for sales of products associated with the seller identifier and cost information transmitted from the seller in the second database 1002.

According to one embodiment of the present invention, the online shopping search service providing system 1000 can transmit the selected product information and a product identifier associated with the product information and a product registrant identifier to a shopping mall server (not illustrated) of the seller. The shopping mall server can generate a web page for sales of products for selling a product associated with the product information by using the same. In this case, the product identifier, or the product registrant identifier is stored in the shopping mall server in association with the web page for sales of products.

The search query receiving means 1005 receives a search query from a user through a user terminal 1010. The search means 1006 searches for product information corresponding to the search query or URL information of a web page for sales of products associated with the product information by referring to the second database 1002.

The search result list generating means 1007 generates a search result list by sorting the searched product information or the URL information in accordance with the cost information by referring to the second database 1002. The search result list providing means 1008 provides the user with the generated search result list through the user terminal 1010.

FIG. 11 is an inner block diagram of a general-purpose computer which can be employed in implementing a method for providing an online shopping search service

according to the present invention.

The computer system 1100 includes any number of processors 1110 (also referred to as central processing units, or CPUs) that are coupled to storage devices including primary storage (typically a random access memory, or "RAM 1120 "),  
5 primary storage (typically a read only memory, or "ROM 1130"). As is well known in the art, ROM 1130 acts to transfer data and instructions uni-directionally to the CPU and RAM 1120 is used typically to transfer data and instructions in a bi-directional manner. Both of these primary storage devices may include any suitable type of the computer-readable media described above. A mass storage 1140 is also coupled bi-  
10 directionally to CPU and provides additional data storage capacity and may include any of the computer-readable media described above. The mass storage 1140 may be used to store programs, data and the like and is typically a secondary storage medium such as a hard disk that is slower than primary storage. A specific mass storage device such as a CD-ROM 1160 may also pass data uni-directionally to the CPU. Processor 1110 is  
15 also coupled to an interface 1150 that includes one or more input/output devices such as such as video monitors, track balls, mice, keyboards, microphones, touch-sensitive displays, transducer card readers, magnetic or paper tape readers, tablets, styluses, voice or handwriting recognizers, or other well-known input devices such as, of course, other computers. Finally, processor 1110 optionally may be coupled to a computer or  
20 telecommunications network using a network connection as shown generally at a network interface 1170. With such a network connection, it is contemplated that the CPU might receive information from the network, or might output information to the network in the course of performing the above-described method steps. The above-described devices and materials will be familiar to those of skill in the computer  
25 hardware and software arts.

The hardware elements above may be configured to act as one or more software modules for implementing the operations of this invention.

The foregoing descriptions of specific embodiments of the present invention have been presented for purposes of illustration and description. They are not intended  
30 to be exhaustive or to limit the invention to the precise forms disclosed, and obviously many modifications and variations are possible in light of the above teaching.

Therefore, it is intended that the scope of the invention be defined by the claims

appended thereto and their equivalents.

#### Industrial Applicability

According to method and system for providing an online shopping search  
5 service according to the present invention, it is possible to provide a systematic and  
detailed search service with respect to all kinds of products in an online shopping mall  
by constructing a product database or a product information database automatically,  
systematically and in real time, in such a manner that a user interface for inputting  
product information systematically is provided to a product registrant and procedures of  
10 registering the product are performed and by reflecting information associated with the  
seller or the product in the product database or the product information database  
automatically, systematically and in real time.

Also, according to method and system for providing an online shopping search  
service according to the present invention, it is possible to reduce time loss and  
15 economic loss in managing an online shopping search service server by maintaining a  
database storing various information on products on sale at each online shopping mall  
using a centralized directory system.

Also, according to method and system for providing an online shopping search  
service according to the present invention, it is possible to provide a user who wants to  
20 purchase a product with a web search service with respect to all the products in each  
mall by largely reducing time in constructing a database by processing product  
information.

Also, according to method and system for providing an online shopping search  
service according to the present invention, it is possible to solve unbalance in charging  
25 over opening effects between online shopping mall operators and enable an online  
shopping search service operator to charge the shopping mall operator having a big  
opening effect.

CLAIMS

1. A method for providing an online shopping search service, the method comprising the steps of:

maintaining a product database including a record about identification  
5 information on a product registered by a product registrant or product information associated therewith, in which the identification information includes a product registrant identifier of the product registrant and a product identifier of the product;

providing a seller with a user interface for selecting the product identifier by referring to the product database;

10 receiving a selection of the product identifier from the seller;

recording a seller identifier of the seller, URL information of a web page for sales of products which is registered by the seller and cost information transmitted from the seller in the product database, in association with the selected product identifier;

receiving a search query from a user;

15 searching for product information corresponding to the search query or URL (Uniform Resource Locator) information of a web page for sales of products associated with the product information, by referring to the product database;

generating a search result list by sorting the searched product information or the URL information in accordance with the cost information associated with the searched  
20 product information; and

providing the user with the generated search result list.

2. The method of claim 1, further comprising the step of:

receiving information on a selling period of a product associated with the  
25 selected product identifier from the seller;

wherein the cost information is determined based on the selling period.

3. The method of claim 1, wherein:

the step of searching for product information corresponding to the search query  
30 or URL information of a web page for sales of products associated with the product information by referring to the product database comprises the step of searching for second product information or second URL information of a web page for sales of

products associated with the second product information;

the step of generating a search result list by sorting the searched product information or the URL information comprises the step of generating a second search result list by sorting the searched second product information or the second URL  
5 information; and

the step of providing the user with the generated search result list comprises the step of controlling the generated second search result list to be exposed on a predetermined location of a web page for sales of products provided to the user.

10 4. The method of claim 3, wherein:

the step of providing the user with the generated search result list further comprises the step of indicating predetermined display information in the generated second search result list.

15 5. The method of claim 1, wherein:

the step of searching for product information corresponding to the search query or URL information of a web page for sales of products associated with the product information by referring to the product database;

20 the step of providing the user with the generated search result list comprises the steps of:

indicating predetermined display information in a particular item included in the generated search result list in which the particular item is associated with the searched second product information or second URL information; and

25 providing the user with a search result list in which the display information is indicated.

6. The method according to any one of claim 3 to 5, further comprising the step of:

30 maintaining a second database including information on the number of selections inputted from a second user with respect to the product information or the URL information;

wherein the second product information and the second URL information is

product information and URL information of which the information on the number of inputted selections exceeds a predetermined numerical value.

7. The method according to any one of claims 3 to 5, further comprising the step  
5 of:

maintaining a second database including information on the number of exposures of the product information or the URL information with respect to a second user;

10 wherein the second product information and the second URL information is product information and URL information of which the information on the number of exposures exceeds a predetermined numerical value.

8. The method according to any one of claims 3 to 5, further comprising the step  
15 of:

maintaining a second database including information on the number of inputted selections from a second user with respect to the product information or the URL information and information on the number of exposures of the product information or the URL information with respect to the second user;

20 wherein the second product information and the second URL information is product information and URL information of which the information on the number of inputted selections over the information on the number of exposures exceeds a predetermined numerical value.

9. The method according to any one of claims 3 to 5, further comprising the step  
25 of:

maintaining a second database including information on the number of inputted selections from a second user with respect to the product information or the URL information and information on the quantity of sold products with respect to a product associated with the product information;

30 wherein the second product information and the second URL information is product information and URL information of which the information on the quantity of sold products over the information on the number of inputted selections exceeds a



predetermined numerical value.

10. The method of claim 3 or 5, wherein:  
the second product information and the second URL information is associated  
5 with a product that a second seller sells; and  
the second seller is a seller who has transmitted cost information exceeding a predetermined standard amount.
11. A method for providing an online shopping search service, the method  
10 comprising the steps of:  
maintaining a product database including a record about identification  
information on a product registered by a product registrant and product information  
associated therewith, in which the identification information includes a product  
registrant identifier of the product registrant and a product identifier of the product;  
15 providing a seller with a user interface for selecting the product identifier by  
referring to the product database;  
receiving a selection of the product identifier from the seller;  
recording a seller identifier of the seller or URL information of a web page for  
sales of products which is registered by the seller, in the product database, in association  
20 with the selected product identifier;  
maintaining a second database including information on the number of inputted  
selections from a first user, with respect to the product information or URL information  
of a web page for sales of products associated therewith;  
receiving a search query from a second user;  
25 searching for product information corresponding to the search query or URL  
information of a web page for sales of products associated with the product information,  
by referring to the product database;  
generating a search result list by sorting the searched product information or the  
URL information in accordance with the information on the number of inputted  
30 selections by referring to the second database; and  
providing the second user with the generated search result list.

12. The method of claim 11, wherein:

the information on the number of inputted selections is generated by counting the number of times that the product information or the URL information of a web page for sales of products associated therewith is selected by the first user during a predetermined time interval; and

in the step of generating the search result list, the same is generated by sorting only product information or URL information of which the information on the number of inputted selections exceeds a predetermined numerical value, from the searched product information or the URL information by referring to the second database.

13. The method of claim 11, further comprising the step of:

generating charging information with respect to the product registrant or the seller in accordance with the information on the number of inputted selections by referring to the second database.

14. A method for providing an online shopping search service, the method comprising the steps of:

maintaining a product database including a record about identification information on a product registered by a product registrant or product information associated therewith, in which the identification information includes a product registrant identifier of the product registrant and a product identifier of the product;

providing a seller with a user interface for selecting the product identifier by referring to the product database;

receiving a selection of the product identifier from the seller;

recording a seller identifier of the seller or URL information of a web page for sales of products which is registered by the seller, in the product database, in association with the selected product identifier;

maintaining a second database including information on the number of exposures of the product information or URL information of a web page for sales of products associated therewith with respect to a first user;

receiving a search query from a second user;

searching for product information corresponding to the search query or URL

information of a web page for sales of products associated with the product information, by referring to the product database;

generating a search result list by sorting the searched product information or the URL information in accordance with the information on the number of exposures by referring to the second database; and

providing the second user with the generated search result list.

15. The method of claim 14, wherein:

the information on the number of exposures is generated by counting the number of times that the product information or the URL information of a web page for sales of products associated therewith is exposed to the first user during a predetermined time interval; and

in the step of generating the search result list, the same is generated by sorting only product information or URL information of which the information on the number of exposures exceeds a predetermined numerical value from the searched product information or the URL information by referring to the second database.

16. The method of claim 14, further comprising the step of:

generating charging information with respect to the product registrant or the seller in accordance with the information on the number of exposures by referring to the second database.

17. A method for providing an online shopping search service, the method comprising the steps of:

maintaining a product database including a record about identification information on a product registered by a product registrant and product information associated therewith, in which the identification information includes a product registrant identifier of the product registrant and a product identifier of the product;

providing a seller with a user interface for selecting the product identifier by referring to the product database;

receiving a selection of the product identifier from the seller;

recording a seller identifier of the seller or URL information of a web page for

sales of products which is registered by the seller, in the product database, in association with the selected product identifier;

maintaining a second database including information on the quantity of sold products with respect to the product, in association with the seller identifier or URL information of a web page for sales of products registered by the seller;

receiving a search query from a user;

searching for product information corresponding to the search query or URL information of a web page for sales of products associated with the product information, by referring to the product database;

generating a search result list by sorting the searched product information or the URL information in accordance with the information on the quantity of sold products by referring to the second database; and

providing the second user with the generated search result list.

18. The method of claim 17, further comprising the steps of:

transmitting product information and identification information associated with the selected product identifier to a shopping mall server providing a shopping mall site of the seller;

generating a web page for a product associated with the selected product information in association with the shopping mall site, by using the transmitted identification information and product information; and

in case that a payment is made for the product by a purchaser accessing the web page for sales of products, receiving payment information on the payment from the shopping mall server, in which the payment information includes the identification information and purchasing information on the number of purchased products; and

the information on the quantity of sold products is generated based on the identification information and the purchasing information included in the payment information.

19. The method according to any one of claims 1, 11, 14 and 17, wherein:

the product information further includes at least one selected from the group consisting of information on a category of the product, image data thereof, a price

thereof, whether the product is genuine goods, an after-sale service thereof, size or color thereof, the number thereof, a delivery method thereof and a registration date thereof.

20. The method according to any one of claims 1, 11, 14 and 17, wherein:

5 the method further comprises the step of maintaining a product register database recording a product register for specifying a product by each product; and

the step of maintaining the product database including a record about identification information on a product registered by the product registrant or product information associated with the identification information comprises the steps of:

10 providing the product registrant with a user interface for selecting the product register recorded in the product register database;

receiving a selection of the product register or product information from the product registrant;

15 generating a product identifier by using the selected product register and the received product information;

generating identification information including a product registrant identifier of the product registrant or the product identifier; and

20 recording a record including the identification information or the received product information in the product database.

21. A computer readable record medium recording a program for implementing the method according to any one of claims 1 to 5 and 11 to 18.

22. A system for providing an online shopping search service, the system comprising:

25 a first database for maintaining a product database including a record having a field for a product registrant identifier, a product identifier or a seller identifier;

30 a second database for maintaining a product information database including product information associated with the product identifier, URL information of a web page for sales of products associated with the seller identifier and cost information;

a user interface providing means providing a seller with a user interface for selecting a product by using the product identifier or product information;

a database management means recording a seller identifier of the seller in the first database in association with a product identifier of a product selected by the seller and recording URL information of a web page for sales of products associated with the seller identifier and cost information transmitted from the seller in the second database;

5 a search query receiving means receiving a search query from a user;

a search means searching for product information corresponding to the search query or URL information of a web page for sales of products associated with the product information by referring to the second database;

10 a search result list generating means generating a search result list by sorting the searched product information or the URL information in accordance with the cost information by referring to the second database; and

a search result list providing means providing the user with the generated search result list.

FIG. 1

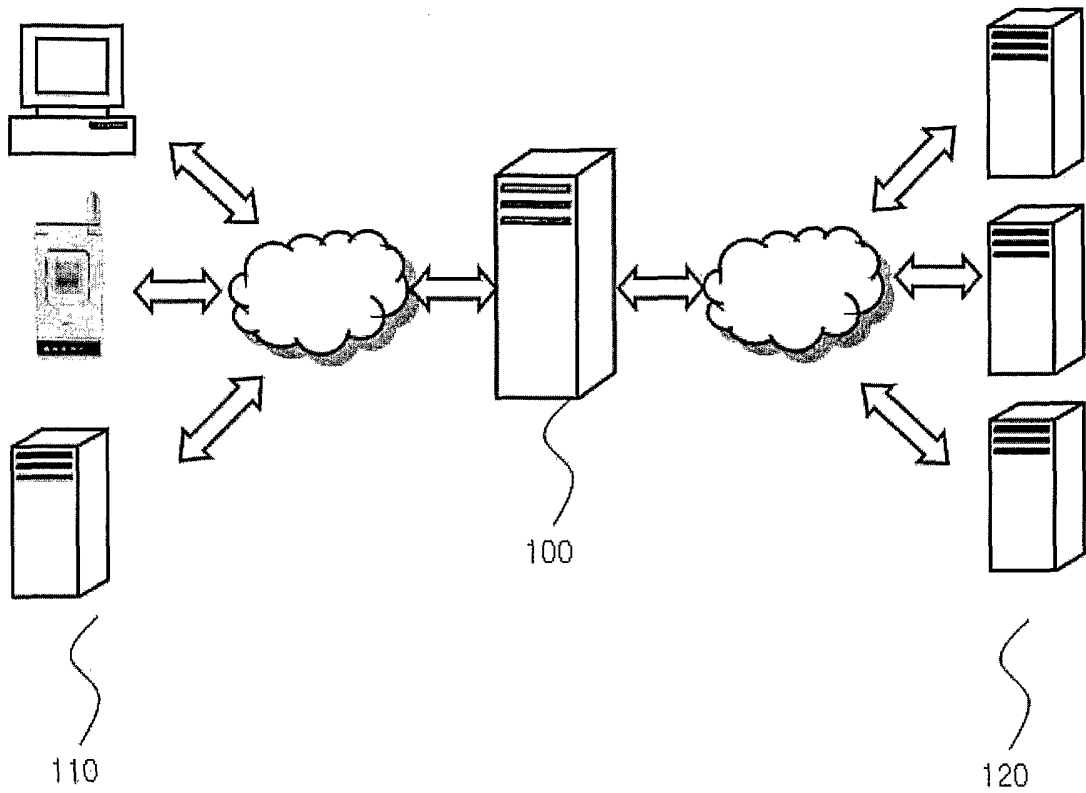


FIG. 2

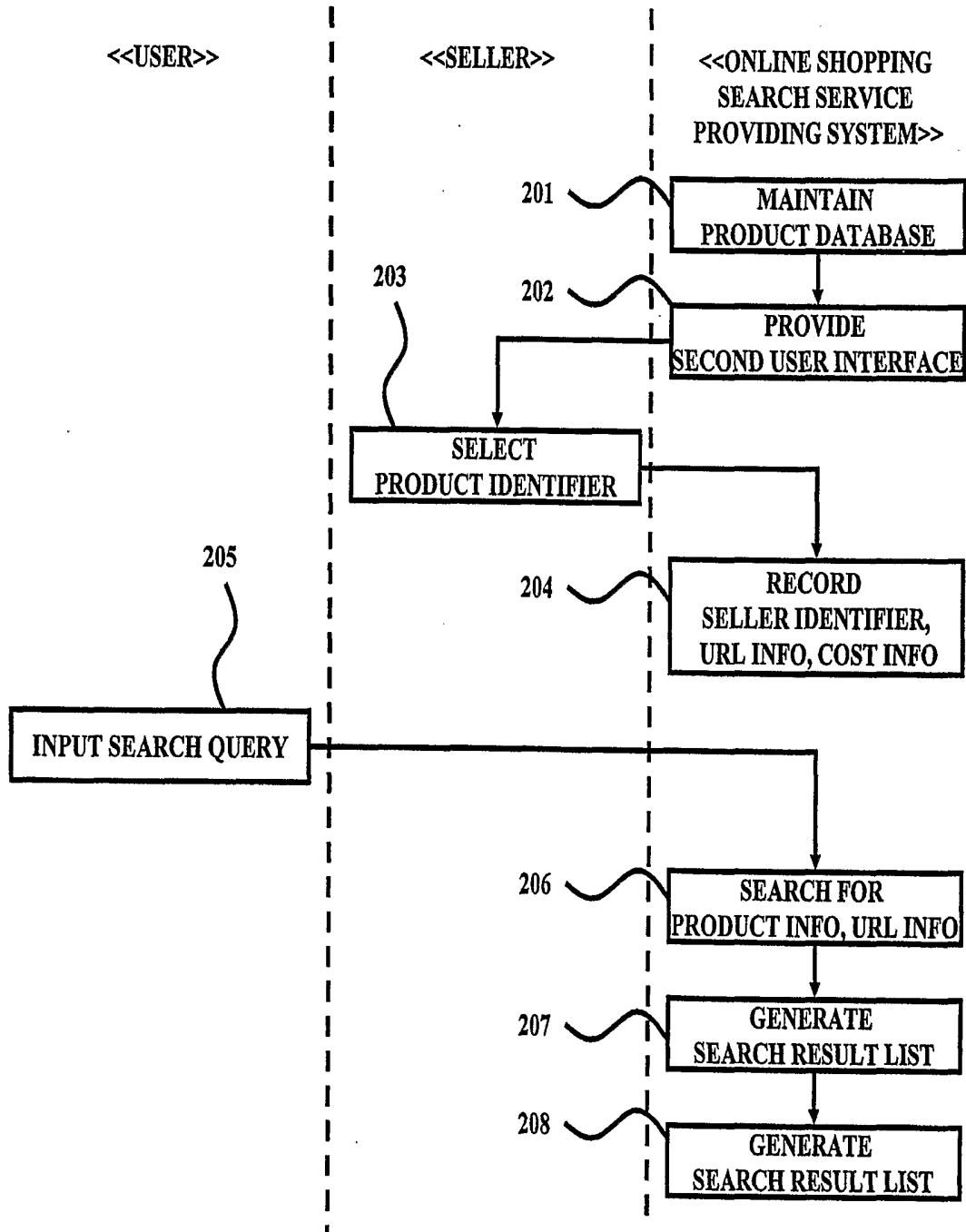




FIG. 3

< 3a >

IDENTIFICATION INFO	
PRODUCT REGISTRANT IDENTIFIER	PRODUCT IDENTIFIER
wisjjang	a11112
	a11113
	a11114
kaori	b11113
	...
...	...

< 3b >

PRODUCT IDENTIFIER (OR IDENTIFICATION INFO)	PRODUCT INFO				
	COST INFO	PAYMMENT	REGISTRATIO N PERIOD	PRODUCT REGISTER IDENTIFIER	...
a11112 (or wisjjang_a11112')	Free delivery	Credit card available	2004.02.01 ~ 2004.08.01	...	...
a11113	Conditional free delivery	Credit card installment available	...	...	...
a11114	Paid delivery	...	...	...	...
...	...	...	...	...	...

< 3c >

PRODUCT IDENTIFIER (OR IDENTIFICATION INFO)	SELLER IDENTIFIER	URL INFO OF WEB PAGE FOR SALES OF PRODUCTS	COST INFO
a11112	posse	http://www.zeromarket.com/new_event/newEventMaker.jsp?getEvent=040206_zero_nasan.html&partner_id=NAVER	300,000 won
	corius	http://www.interpark.com/malls/main/leisure/event/0419inline.html	200,000 won
	...	...	
a11113	...	...	
	...	...	
...	...	...	

FIG. 4

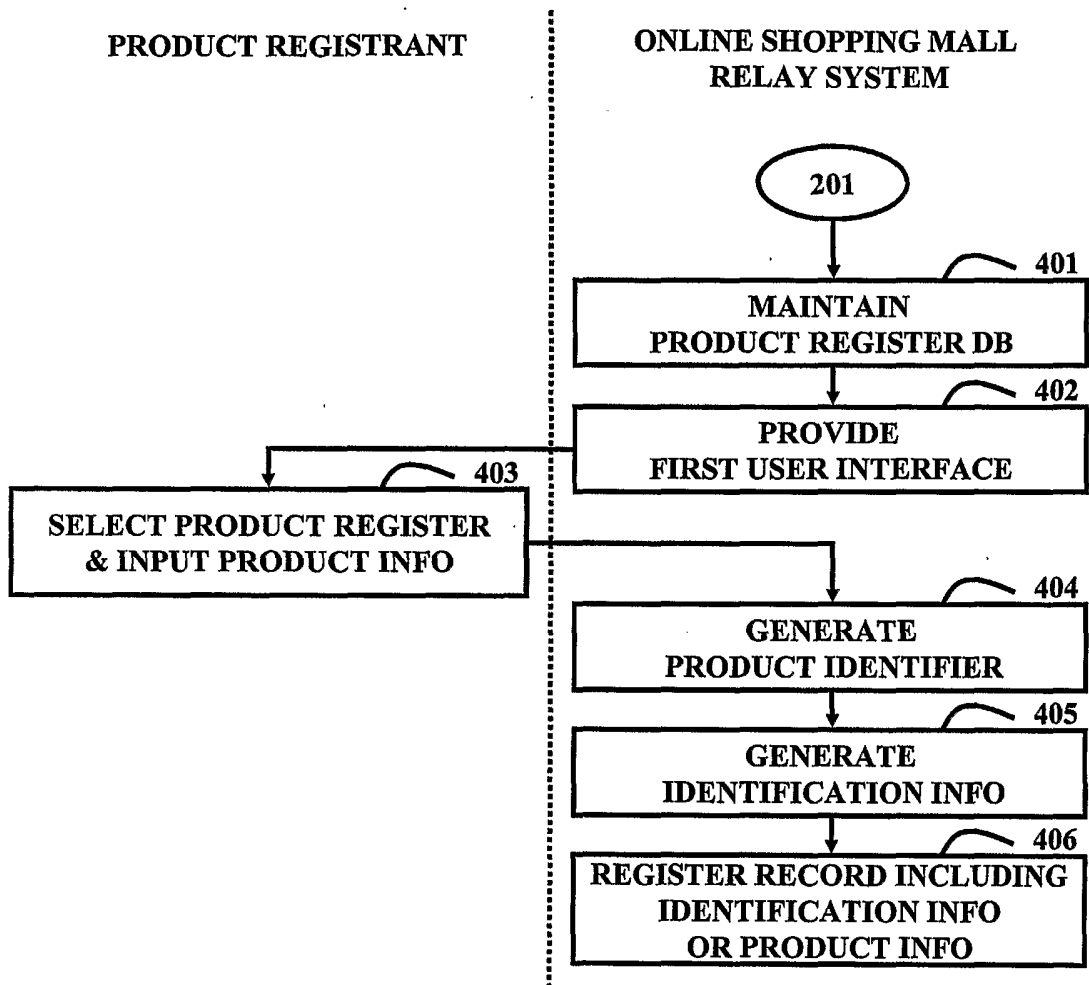
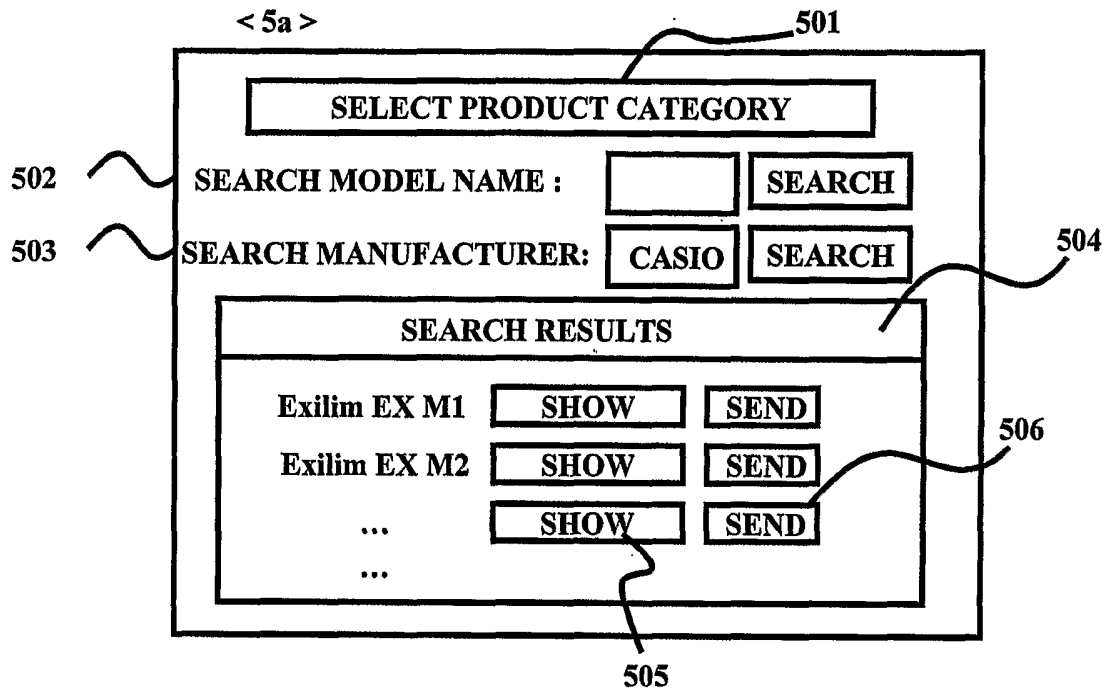


FIG. 5



<5b>

Fashion, clothing> women's wear> pants

Health> sports>fitness

Fashion, merchandise> wallets>men's wallets>brands>brand new

...

...

FIG. 6

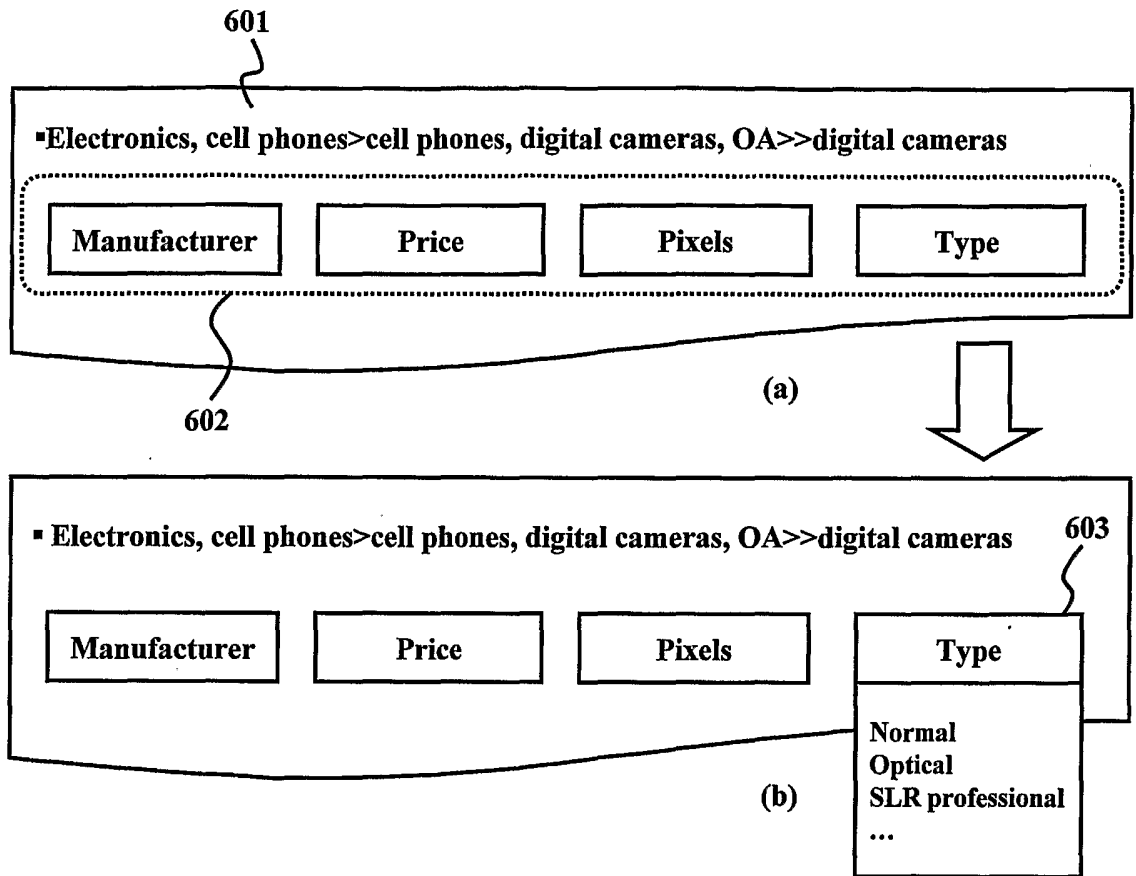


FIG. 7

**SELECT PRODUCT CATEGORY**

SEARCH MODEL NAME :

SEARCH MANUFACTURER :

**SPONSOR LINK**

SHOPPING MALL	SELLING PRICE	-----	
<u>D market</u>	456,000 won	-----	<input type="button" value="AD"/>
<u>F market</u>	465,000 won	-----	<input type="button" value="AD"/>
-----	-----		
-----	-----		

**SEARCH RESULTS**

SHOPPING MALL	SELLING PRICE	-----	
<u>A market</u>	446,000 won	-----	
<u>B market</u>	465,000 won	-----	<input type="button" value="RECOMMENDING SHOPPING MALLS"/>
-----	-----		
-----	-----		

FIG. 8

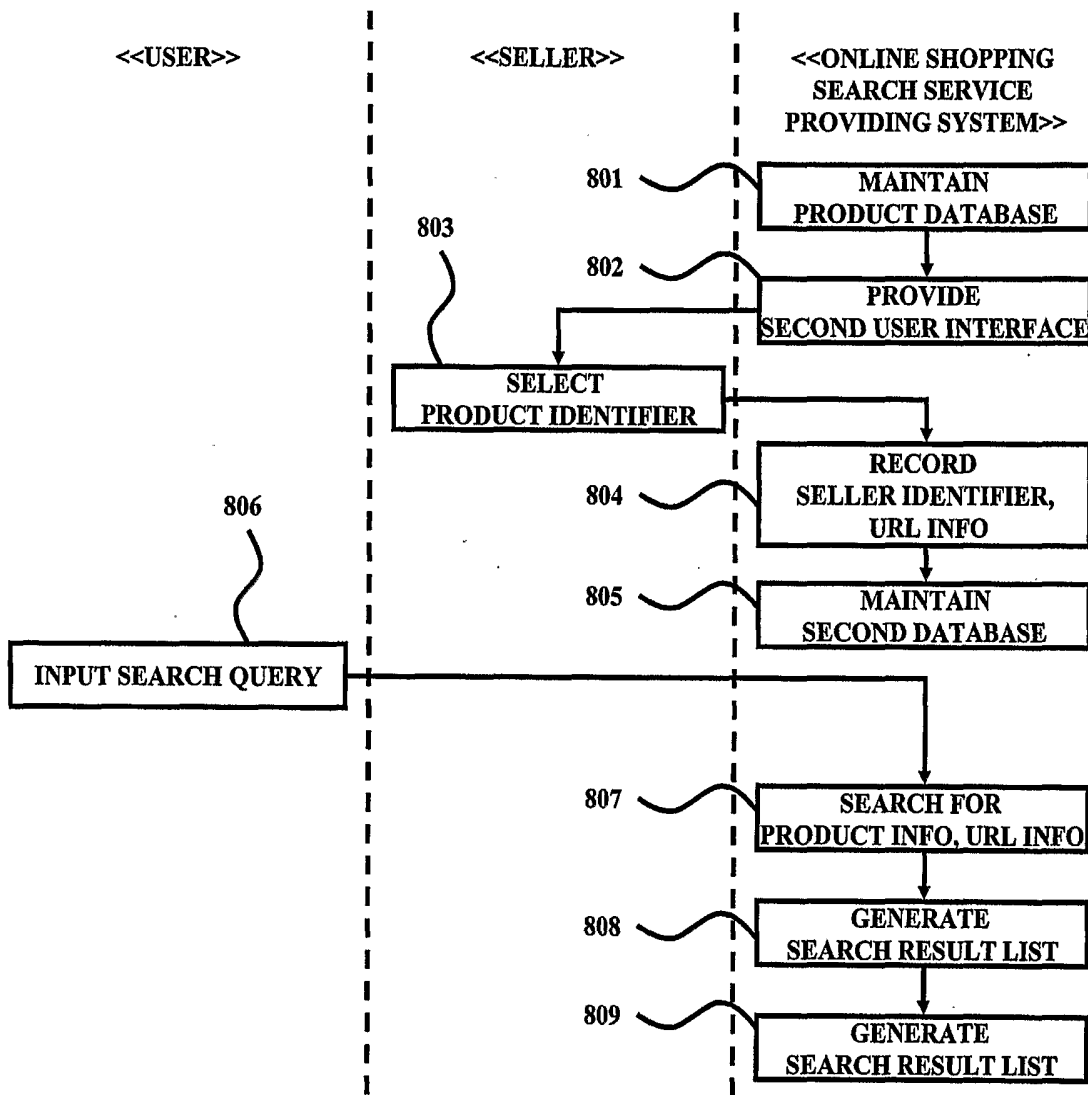


FIG. 9

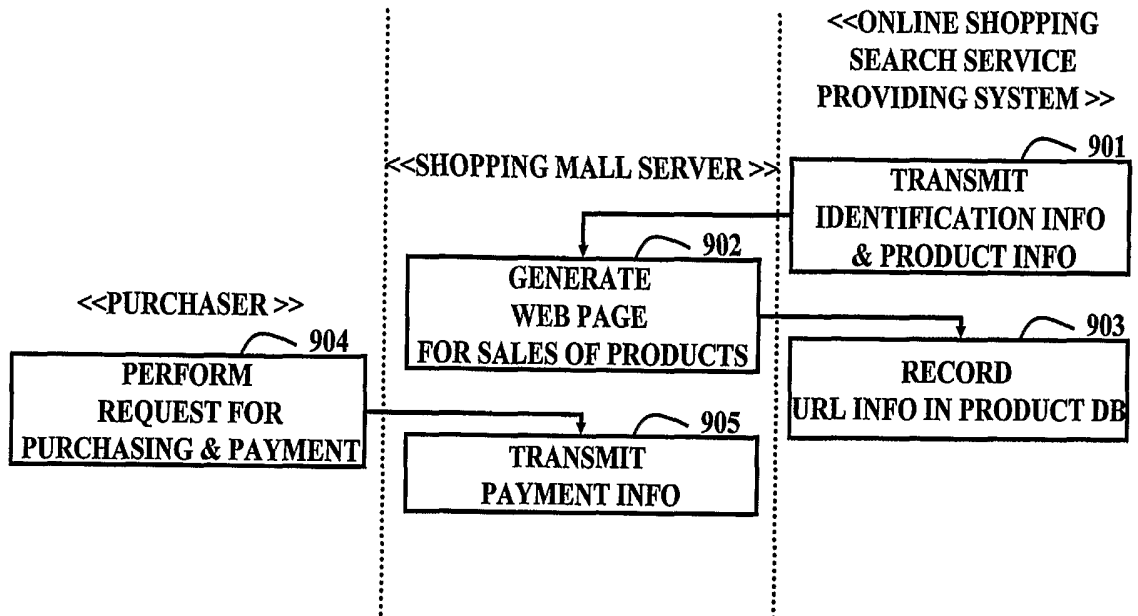


FIG. 10

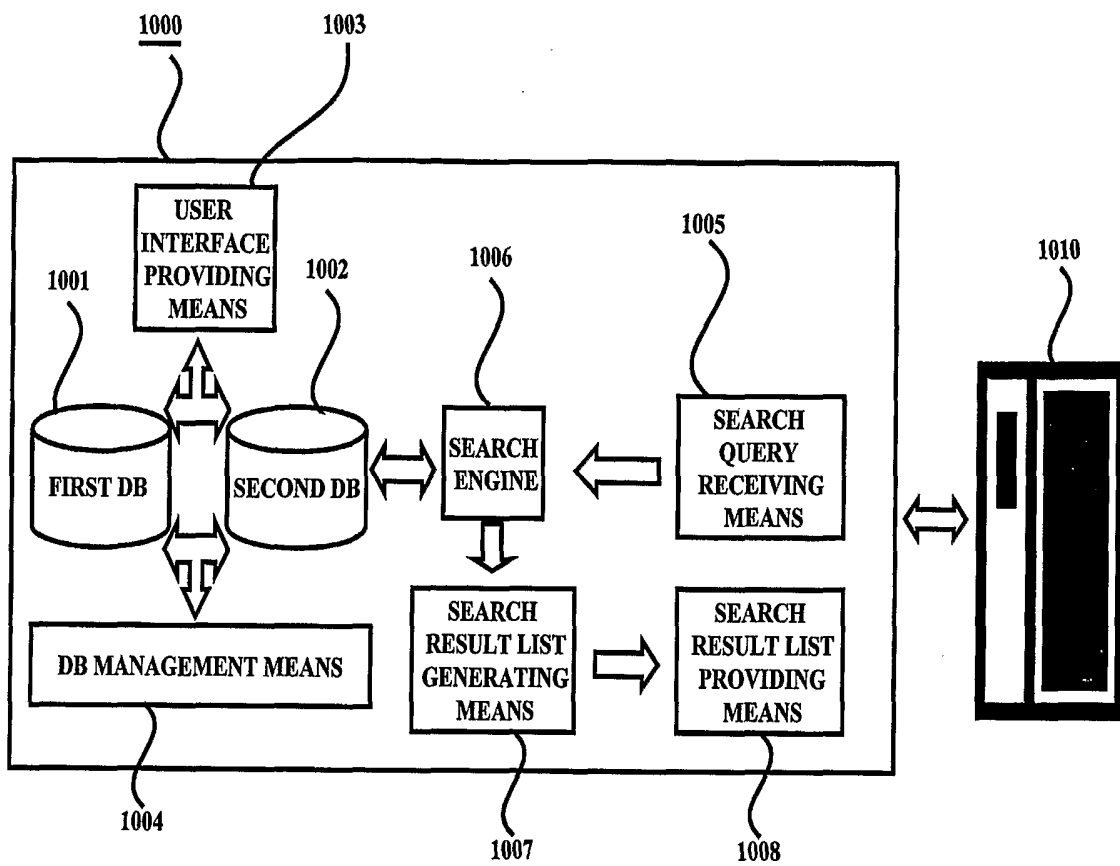
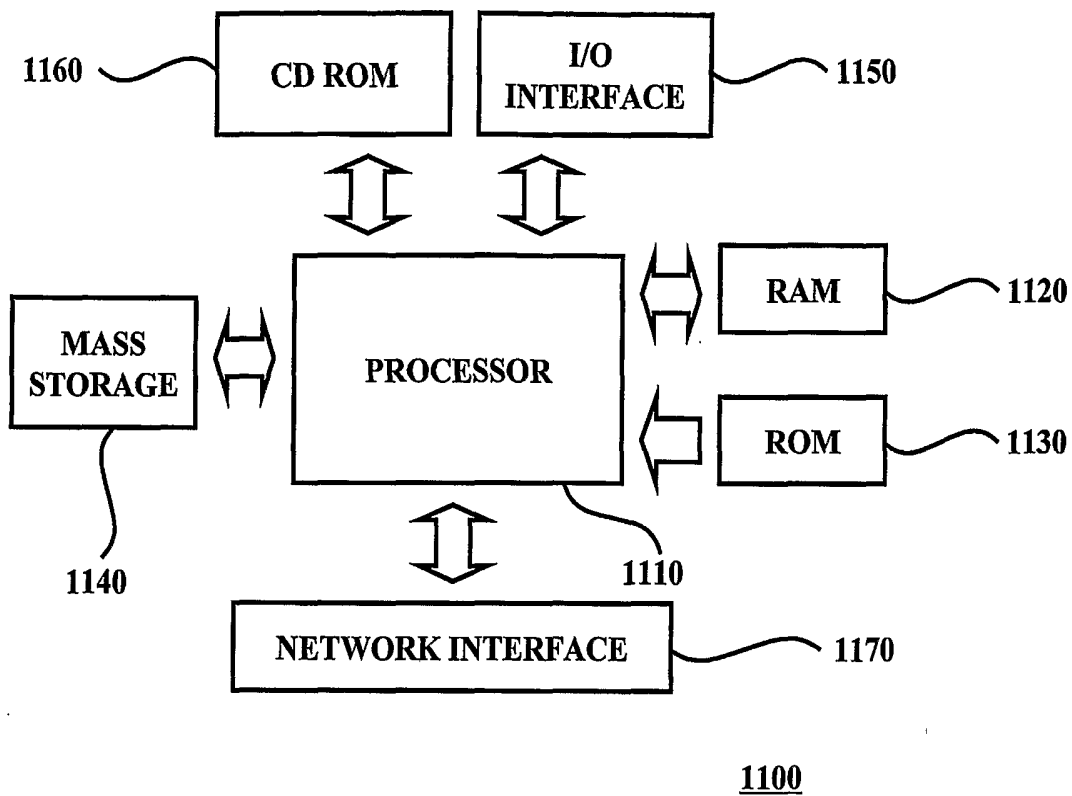






FIG. 11



**INTERNATIONAL SEARCH REPORT**

International application No.  
PCT/KR2005/001303

<b>A. CLASSIFICATION OF SUBJECT MATTER</b>		
<b>IPC7 G06F 17/60</b>		
According to International Patent Classification (IPC) or to both national classification and IPC		
<b>B. FIELDS SEARCHED</b>		
Minimum documentation searched (classification system followed by classification symbols) G06F17/60		
Documentation searched other than minimum documentation to the extent that such documents are included in the fields searched Korean Patents and applications for inventions since 1975 Korean Utility models and applications for Utility models since 1975 Japanese Utility models and application for Utility models since 1975		
Electronic data base consulted during the international search (name of data base and, where practicable, search terms used) eKIPASS "REGISTRATION, PRODUCT, URL"		
<b>C. DOCUMENTS CONSIDERED TO BE RELEVANT</b>		
<b>Category*</b>	<b>Citation of document, with indication, where appropriate, of the relevant passages</b>	<b>Relevant to claim No.</b>
X A	KR 2001-612 A (SIM, JAE YOON) 5 JANUARY 2001 SEE THE WHOLE DOCUMENT	1 2-22
A	US 6076070 A (CENDANT PUBLISHING INC) 13 JUNE 2000 SEE THE WHOLE DOCUMENT	1-5
A	US 6073112 A (GEERLINGS HUIB) 6 JUNE 2000 SEE THE WHOLE DOCUMENT	6-22
A	KR 2000-49795 A (ANYNETWORK, INC.) 5 AUGUST 2000 SEE THE WHOLE DOCUMENT	11-18
A	JP 14-269392 A (AZUMA YOSHIHARU) 20 SEPTEMBER 2002 SEE THE WHOLE DOCUMENT	1-5
<input type="checkbox"/> Further documents are listed in the continuation of Box C. <input checked="" type="checkbox"/> See patent family annex.		
* Special categories of cited documents: "A" document defining the general state of the art which is not considered to be of particular relevance "E" earlier application or patent but published on or after the international filing date "L" document which may throw doubts on priority claim(s) or which is cited to establish the publication date of citation or other special reason (as specified) "O" document referring to an oral disclosure, use, exhibition or other means "P" document published prior to the international filing date but later than the priority date claimed "T" later document published after the international filing date or priority date and not in conflict with the application but cited to understand the principle or theory underlying the invention "X" document of particular relevance; the claimed invention cannot be considered novel or cannot be considered to involve an inventive step when the document is taken alone "Y" document of particular relevance; the claimed invention cannot be considered to involve an inventive step when the document is combined with one or more other such documents, such combination being obvious to a person skilled in the art "&" document member of the same patent family		
Date of the actual completion of the international search 16 AUGUST 2005 (16.08.2005)		Date of mailing of the international search report <b>17 AUGUST 2005 (17.08.2005)</b>
Name and mailing address of the ISA/KR  Korean Intellectual Property Office 920 Dunsan-dong, Seo-gu, Daejeon 302-701, Republic of Korea Facsimile No. 82-42-472-7140		Authorized officer LEE, Jung Suk Telephone No. 82-42-481-5789 

**INTERNATIONAL SEARCH REPORT**

Information on patent family members

International application No.

PCT/KR2005/001303

Patent document cited in search report	Publication date	Patent family member(s)	Publication date
KR 2001-612 A	05/01/2001	NONE	
US 6076070 A	13/06/2000	WO 00/05666 A1 EP 1105827 A1	03/02/2000 03/02/2000
US 6073112 A	06/06/2000	NONE	
KR 2000-49795 A	05/08/2000	NONE	
JP 14-269392 A	22/09/2002	NONE	