

[54] TIGHT SPOT WRENCH

[76] Inventor: Dale G. Basgall, 1634 Peltola, Ceres, Calif. 95307

[**] Term: 14 Years

[21] Appl. No.: 472,557

[22] Filed: Mar. 7, 1983

[52] U.S. Cl. D8/23

[58] Field of Search D8/17, 18, 19, 20-29; 81/90 B, 90 C

[56] References Cited

U.S. PATENT DOCUMENTS

843,274 2/1907 Hughes 81/90 B
1,425,845 8/1922 Foster 81/90 C

FOREIGN PATENT DOCUMENTS

1382315 11/1964 France 81/176.1 X

OTHER PUBLICATIONS

Snap-On Industrial Catalog 65-p ©1965 p. 76, Item "F" Balljoint Socket.

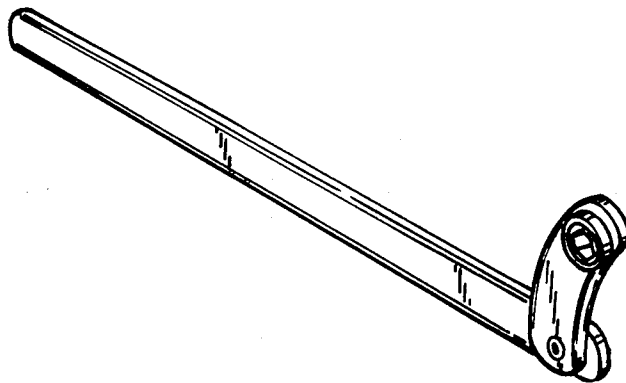
Primary Examiner—Susan J. Lucas
Assistant Examiner—Clare E. Heflin
Attorney, Agent, or Firm—Townsend and Townsend

[57] CLAIM

The ornamental design for a tight spot wrench, as shown.

DESCRIPTION

FIG. 1 is a perspective view of a tight spot wrench showing my new design;
FIG. 2 is a top plan view thereof, shown on an enlarged scale;
FIG. 3 is a front elevational view thereof, shown on an enlarged scale;
FIG. 4 is a right side elevational view thereof, shown on an enlarged scale;
FIG. 5 is a left side elevational view thereof, shown on an enlarged scale;
FIG. 6 is a rear elevational view thereof, shown on an enlarged scale;
FIG. 7 is a bottom plan view thereof, shown on an enlarged scale.



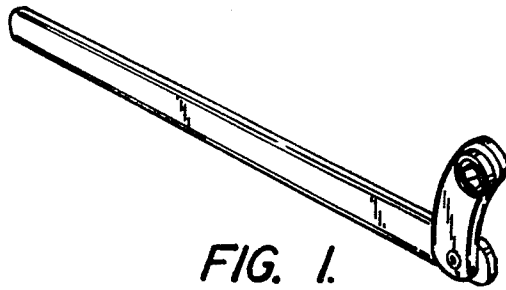


FIG. 1.



FIG. 2.

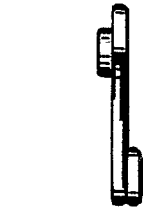


FIG. 3.



FIG. 6.



FIG. 7.

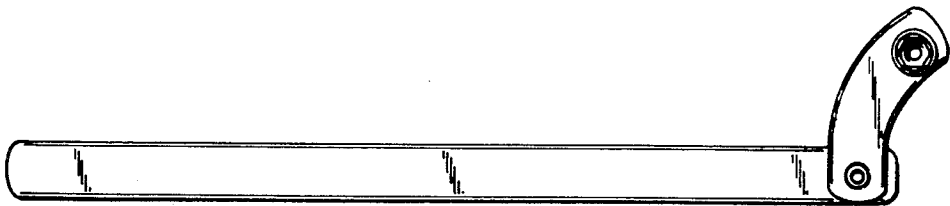


FIG. 5.

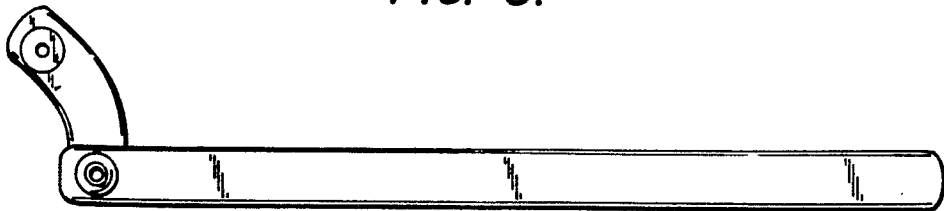


FIG. 4.