



US00D766675S

(12) **United States Design Patent** (10) **Patent No.:** **US D766,675 S**  
**Schlegel et al.** (45) **Date of Patent:** **\*\* Sep. 20, 2016**

(54) **FRUIT AND VEGETABLE BASKET**  
(71) Applicants: **Reid Andersen Schlegel**, Brooklyn, NY (US); **Heidi Serene Farrell**, Brooklyn, NY (US)  
(72) Inventors: **Reid Andersen Schlegel**, Brooklyn, NY (US); **Heidi Serene Farrell**, Brooklyn, NY (US)  
(73) Assignee: **HELEN OF TROY LIMITED**, St. Michael (BB)

D543,412 S \* 5/2007 Munson ..... D7/354  
D568,102 S \* 5/2008 Ruiz de Az a ..... D7/316  
D569,169 S \* 5/2008 Munson ..... D7/354  
D584,112 S \* 1/2009 Ehrenhaus ..... D7/667  
D628,861 S \* 12/2010 Lane ..... D7/667  
D641,217 S \* 7/2011 Chen ..... D7/667  
D653,917 S \* 2/2012 Ehrenhaus ..... D7/584  
D694,067 S \* 11/2013 Chan ..... D7/545  
D708,023 S \* 7/2014 Gast ..... D7/667

\* cited by examiner

Primary Examiner — Terry Wallace

(\*\*) Term: **14 Years**

(21) Appl. No.: **29/514,925**

(22) Filed: **Jan. 18, 2015**

(51) **LOC (10) Cl.** ..... **07-04**

(52) **U.S. Cl.**

USPC ..... **D7/667; D7/601**

(58) **Field of Classification Search**

USPC ..... D7/601, 602, 629, 538-545, 667, 668; D9/424-432

CPC ..... B65D 1/22; A47J 43/286; A47J 43/28; A47J 36/20; A47J 36/22; A47J 43/24; A47J 47/10

See application file for complete search history.

(56) **References Cited**

U.S. PATENT DOCUMENTS

5,988,050 A \* 11/1999 Foster, Jr. .... A47J 47/10 210/241  
D468,168 S \* 1/2003 Gruenberg, Sr. .... D7/667

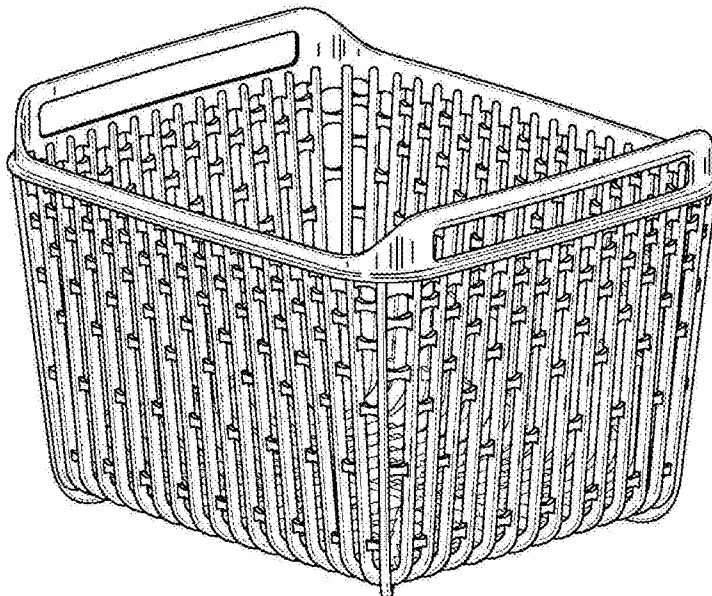
(57) **CLAIM**

The ornamental design for a fruit and vegetable basket, as shown, and described.

**DESCRIPTION**

FIG. 1 is a perspective view of the fruit and vegetable basket;  
FIG. 2 is a left side view of the fruit and vegetable basket;  
FIG. 3 is a front side view of the fruit and vegetable basket;  
FIG. 4 is a top view of the fruit and vegetable basket;  
FIG. 5 is a bottom view of the fruit and vegetable basket;  
and,  
FIG. 6 is a perspective view of the fruit and vegetable basket in a use environment.  
The broken lines are for illustrative purposes only and form no part of the claimed design.

**1 Claim, 6 Drawing Sheets**



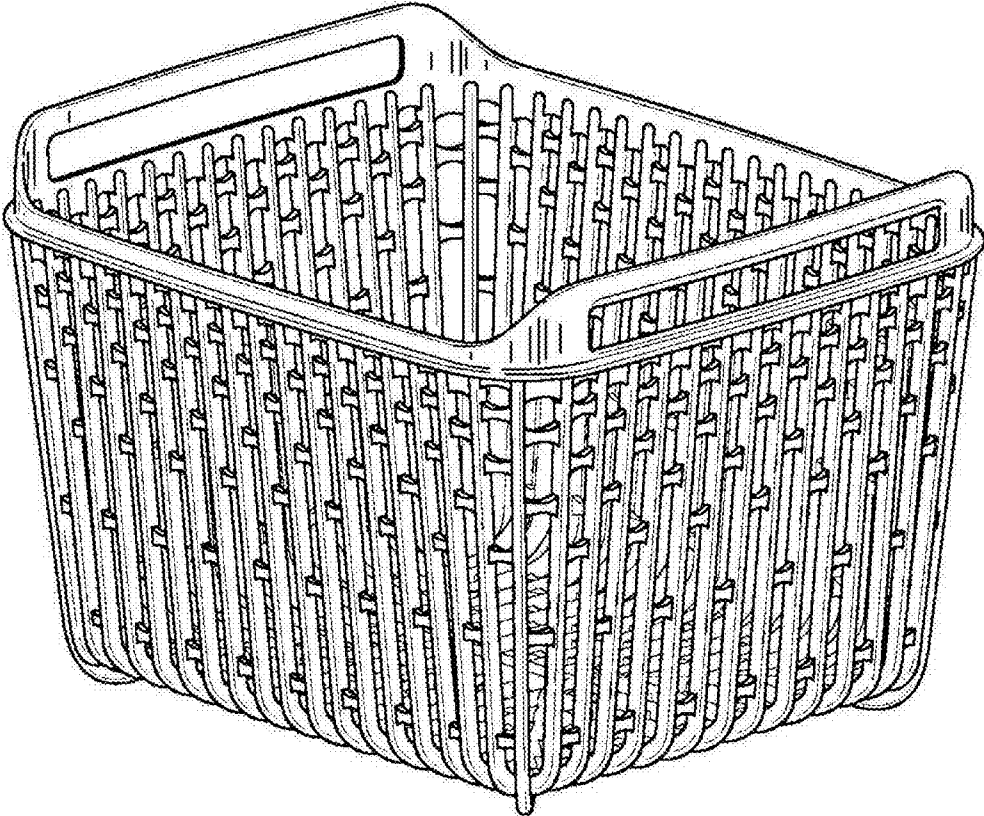


Figure 1

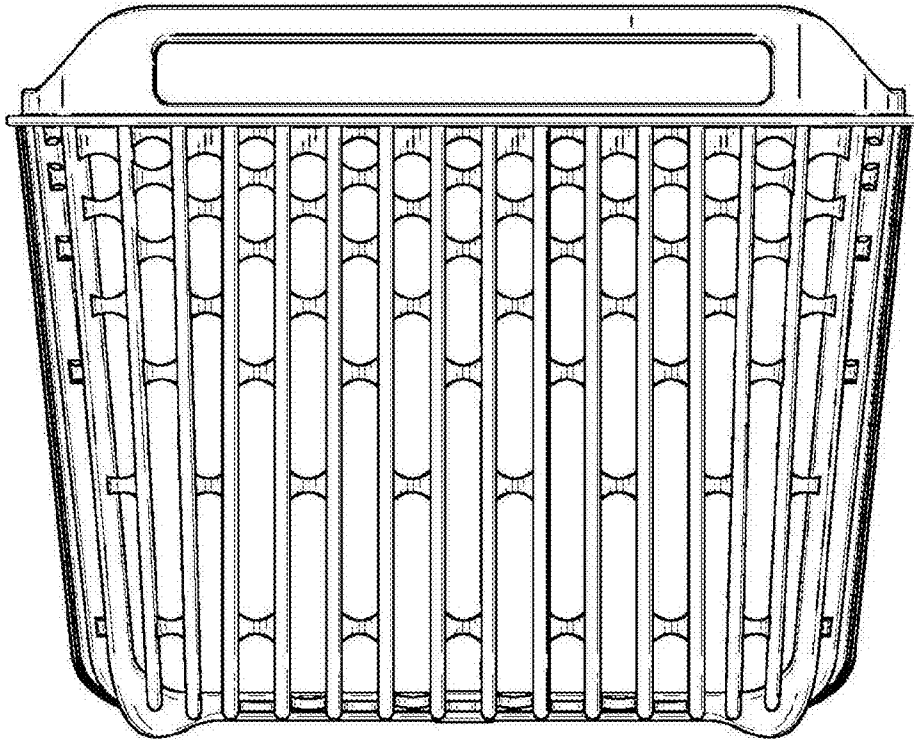


Figure 2

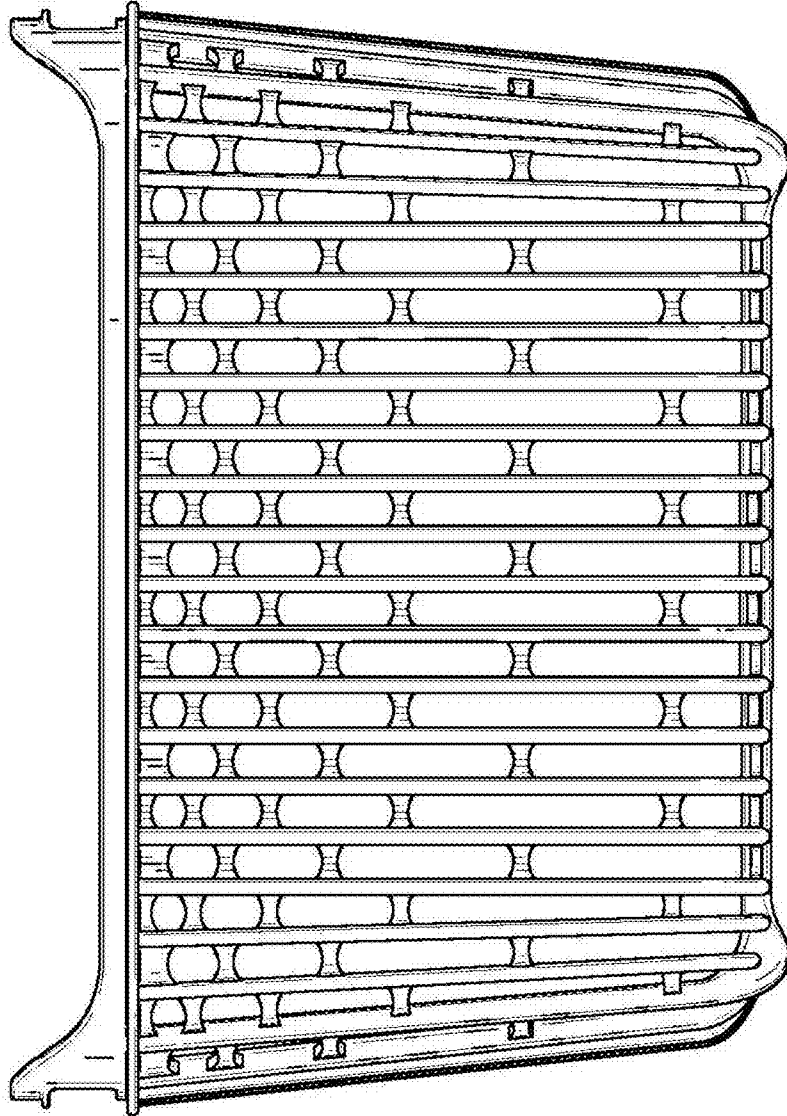


Figure 3

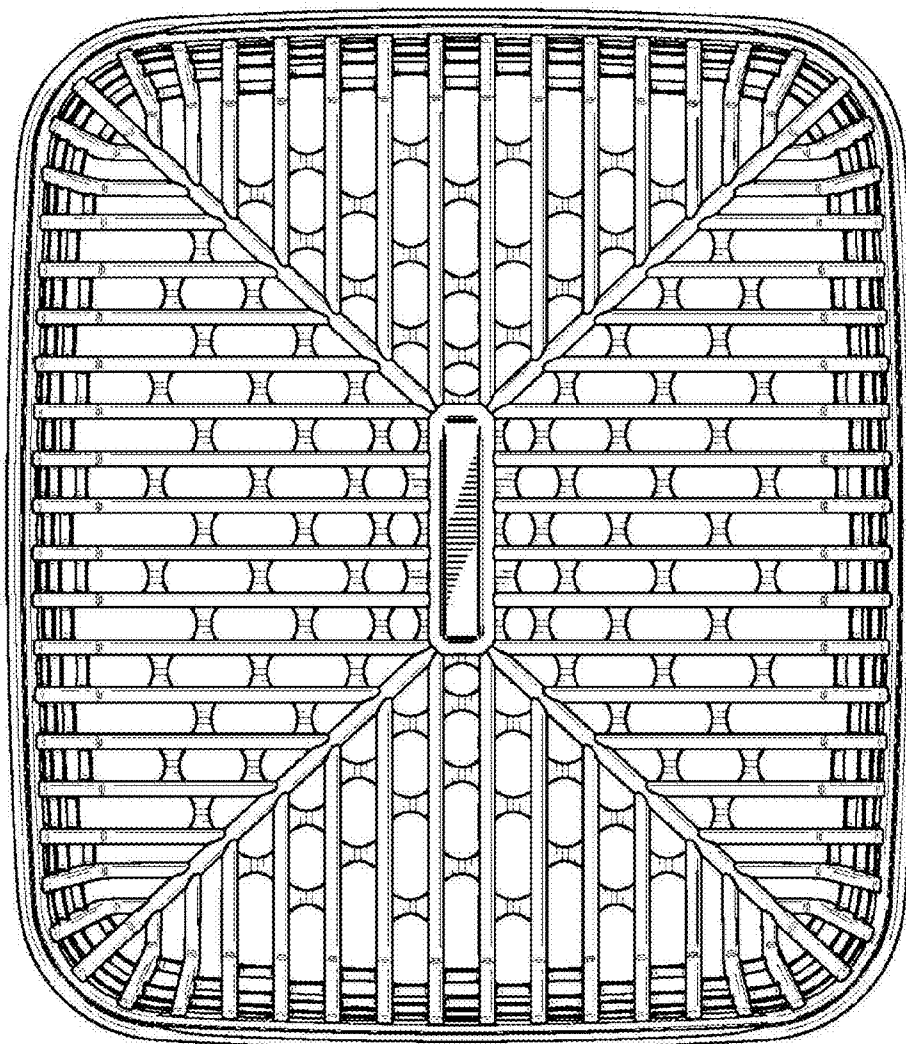


Figure 4

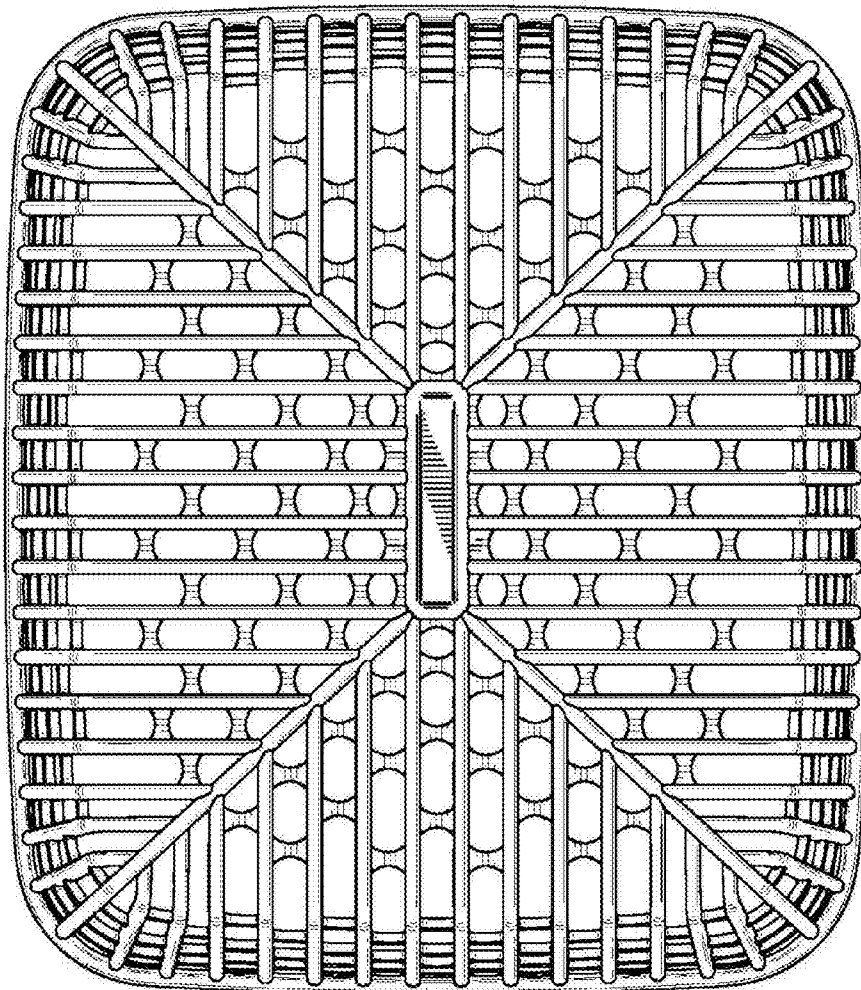


Figure 5

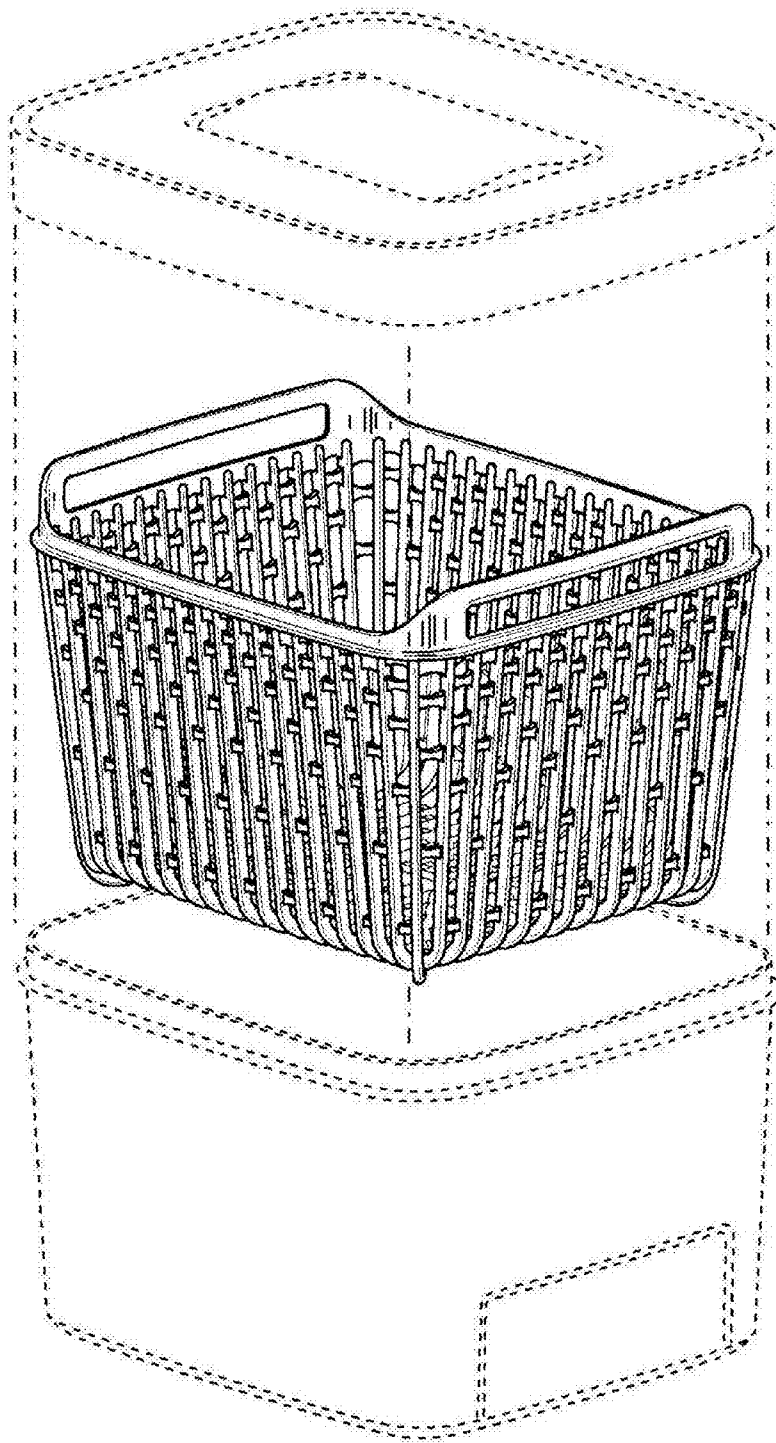


Figure 6