



US00D667851S

(12) **United States Design Patent**  
**Warr**

(10) **Patent No.:** **US D667,851 S**

(45) **Date of Patent:** **\*\* Sep. 25, 2012**

(54) **CAB MODULE**

(75) Inventor: **Owen J. Warr**, Muskego, WI (US)

(73) Assignee: **Harnischfeger Technologies, Inc.**,  
Wilmington, DE (US)

(\*\*) Term: **14 Years**

(21) Appl. No.: **29/407,732**

(22) Filed: **Dec. 1, 2011**

(51) **LOC (9) Cl.** ..... **15-03**

(52) **U.S. Cl.** ..... **D15/30**

(58) **Field of Classification Search** ..... D15/10,  
D15/22-26, 28, 30, 31; 180/89.11, 89.12,  
180/89.13, 89.19, 900; 296/190.01, 190.08,  
296/210, 190, 202

See application file for complete search history.

(56) **References Cited**

**U.S. PATENT DOCUMENTS**

D249,523 S *	9/1978	Segales .....	D15/30
4,278,144 A	7/1981	Perin	
4,344,356 A	8/1982	Casterton et al.	
D273,494 S *	4/1984	Hurlburt et al. ....	D15/30
D275,199 S *	8/1984	Schmidt et al. ....	D15/30
4,480,867 A	11/1984	Ezell et al.	
4,492,151 A	1/1985	Mattei	
4,612,975 A	9/1986	Ikari	
4,616,725 A	10/1986	McDaniel	
D288,206 S *	2/1987	Moscovitch .....	D15/30
D292,632 S *	11/1987	Lich .....	D34/37
4,771,855 A	9/1988	Takashima et al.	
4,846,529 A	7/1989	Tulley	
D323,659 S *	2/1992	Jacobsson .....	D15/30
5,275,255 A	1/1994	Huntley et al.	
5,308,279 A	5/1994	Grinberg	

D348,270 S *	6/1994	Lehmann-Brendel et al.	D15/30
D366,267 S *	1/1996	Lepoix .....	D15/30
5,890,764 A	4/1999	Lee	
5,992,156 A	11/1999	Isobe et al.	

(Continued)

**FOREIGN PATENT DOCUMENTS**

GB 1022623 3/1966

**OTHER PUBLICATIONS**

PCT/US11/26646 International Search Report and Written Opinion dated Apr. 13, 2011 (13 pages).

(Continued)

*Primary Examiner* — Mark Goodwin

(74) *Attorney, Agent, or Firm* — Michael Best & Friedrich LLP

(57) **CLAIM**

I claim the ornamental design for a cab module, as shown and described.

**DESCRIPTION**

FIG. 1 is a perspective view of a cab module showing my new design.

FIG. 2 is a front view of the cab module shown in FIG. 1.

FIG. 3 is a rear view of the cab module shown in FIG. 1.

FIG. 4 is a right side view of the cab module shown in FIG. 1.

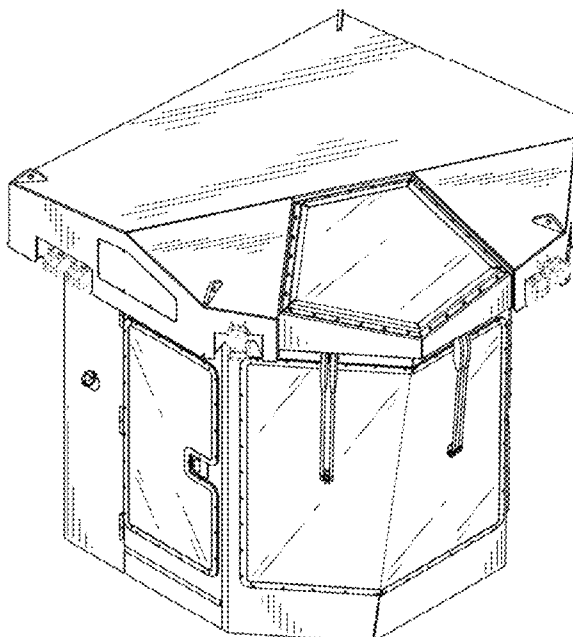
FIG. 5 is a left side view of the cab module shown in FIG. 1.

FIG. 6 is a top view of the cab module shown in FIG. 1; and,

FIG. 7 is a bottom view of the cab module shown in FIG. 1.

The broken line showing of surface features is included for the purpose of illustrating portions of the cab module and forms no part of the claimed design.

**1 Claim, 7 Drawing Sheets**



# US D667,851 S

Page 2

## U.S. PATENT DOCUMENTS

6,012,295	A	1/2000	Isobe et al.	
6,022,182	A	2/2000	Everett	
6,186,573	B1	2/2001	Thurab	
6,196,308	B1	3/2001	Halligan	
D463,462	S *	9/2002	Yanagida et al.	D15/30
6,543,848	B1	4/2003	Suga et al.	
6,557,919	B2	5/2003	Suga et al.	
6,572,172	B1	6/2003	Ninomiya et al.	
6,578,854	B2	6/2003	Wucherpfennig et al.	
D479,536	S *	9/2003	Dahl et al.	D15/30
6,684,969	B1	2/2004	Flowers et al.	
6,755,270	B2	6/2004	Saarinen	
D497,920	S *	11/2004	Antonetti	D15/30
6,955,239	B2	10/2005	Ueda et al.	
6,981,746	B2	1/2006	Chung et al.	
7,036,883	B1	5/2006	Thompson et al.	
D523,029	S *	6/2006	Crawford et al.	D15/30
7,059,680	B2	6/2006	Billger et al.	
7,069,736	B2	7/2006	Kamimae et al.	
7,083,019	B2	8/2006	Chiou et al.	
D528,134	S *	9/2006	Vandendriessche et al.	D15/30
D531,647	S *	11/2006	Stender et al.	D15/30
7,159,687	B2	1/2007	Dunn et al.	
D541,825	S *	5/2007	Pettersson	D15/30
D541,826	S *	5/2007	Brush et al.	D15/30
7,294,181	B1	11/2007	Smith	
D561,205	S *	2/2008	Pettersson	D15/30
7,347,299	B2	3/2008	Billger et al.	
D579,028	S *	10/2008	VanDeVeer et al.	D15/30
7,434,863	B2	10/2008	Hamazaki et al.	
7,520,567	B2	4/2009	Billger et al.	
7,575,276	B1	8/2009	Henry	
D605,207	S *	12/2009	Menges et al.	D15/30
7,681,630	B2	3/2010	Klassen et al.	
D614,674	S *	4/2010	Hobenshield et al.	D15/30
D635,156	S *	3/2011	Berning et al.	D15/30
D636,795	S *	4/2011	Yamamoto et al.	D15/30
D637,630	S *	5/2011	Yamamoto et al.	D15/30
D642,205	S *	7/2011	Yamamoto et al.	D15/30
2003/0070900	A1	4/2003	Elwell	
2006/0061122	A1	3/2006	Billger et al.	
2006/0144634	A1	7/2006	Portscheller et al.	
2009/0276122	A1	11/2009	Demong et al.	
2010/0300796	A1	12/2010	Ryan et al.	

## OTHER PUBLICATIONS

Peterson et al., U.S. Appl. No. 13/037,878, filed Mar. 1, 2011.  
Krellner et al., U.S. Appl. No. 13/369,622, filed Feb. 9, 2012.  
Buchsbaum, "Foresight Energy Invests in Illinois: The Cline Group constructs four underground coal mining complexes," Coal Age, Dec. 2010.

\* cited by examiner

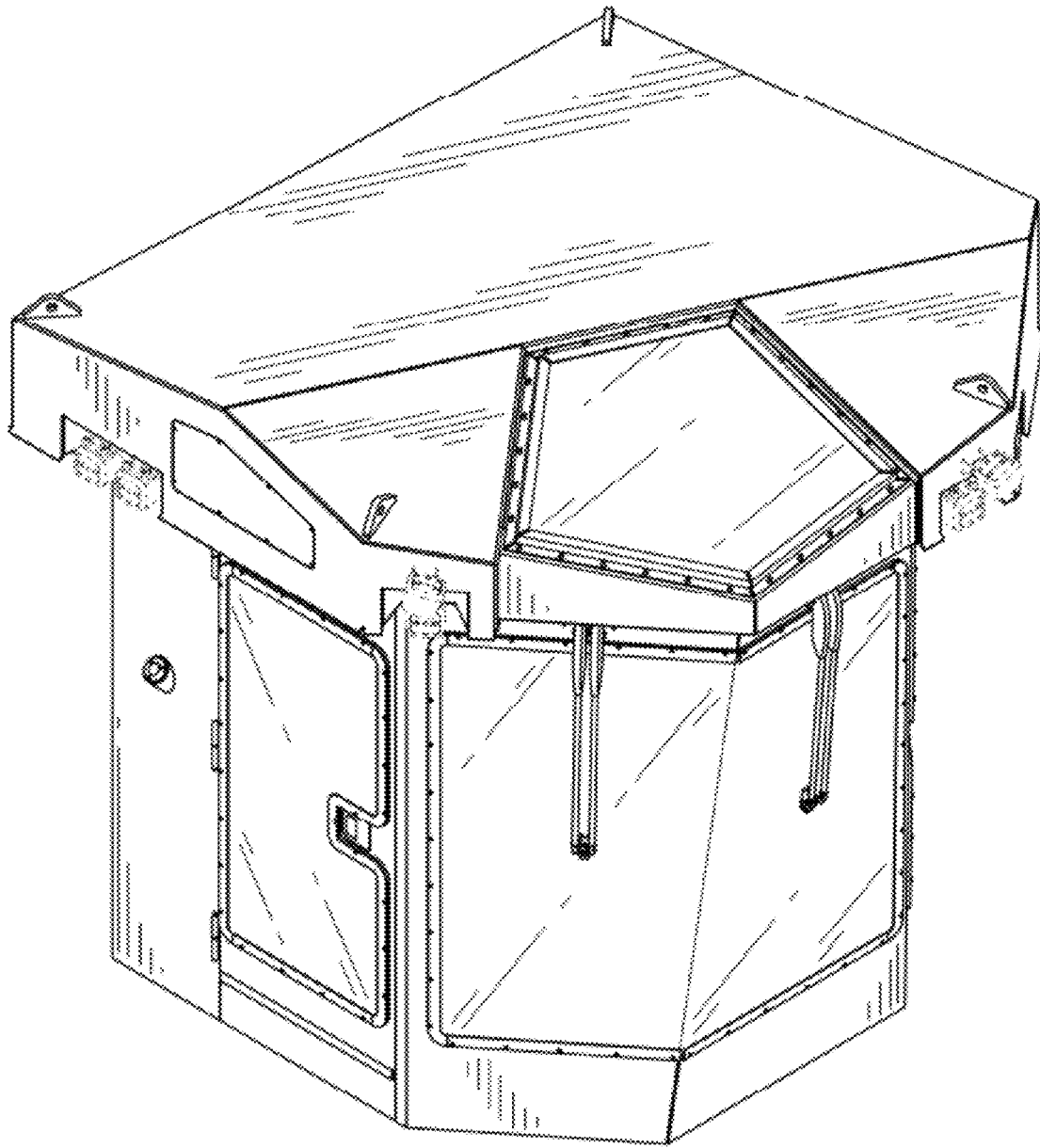


FIG. 1

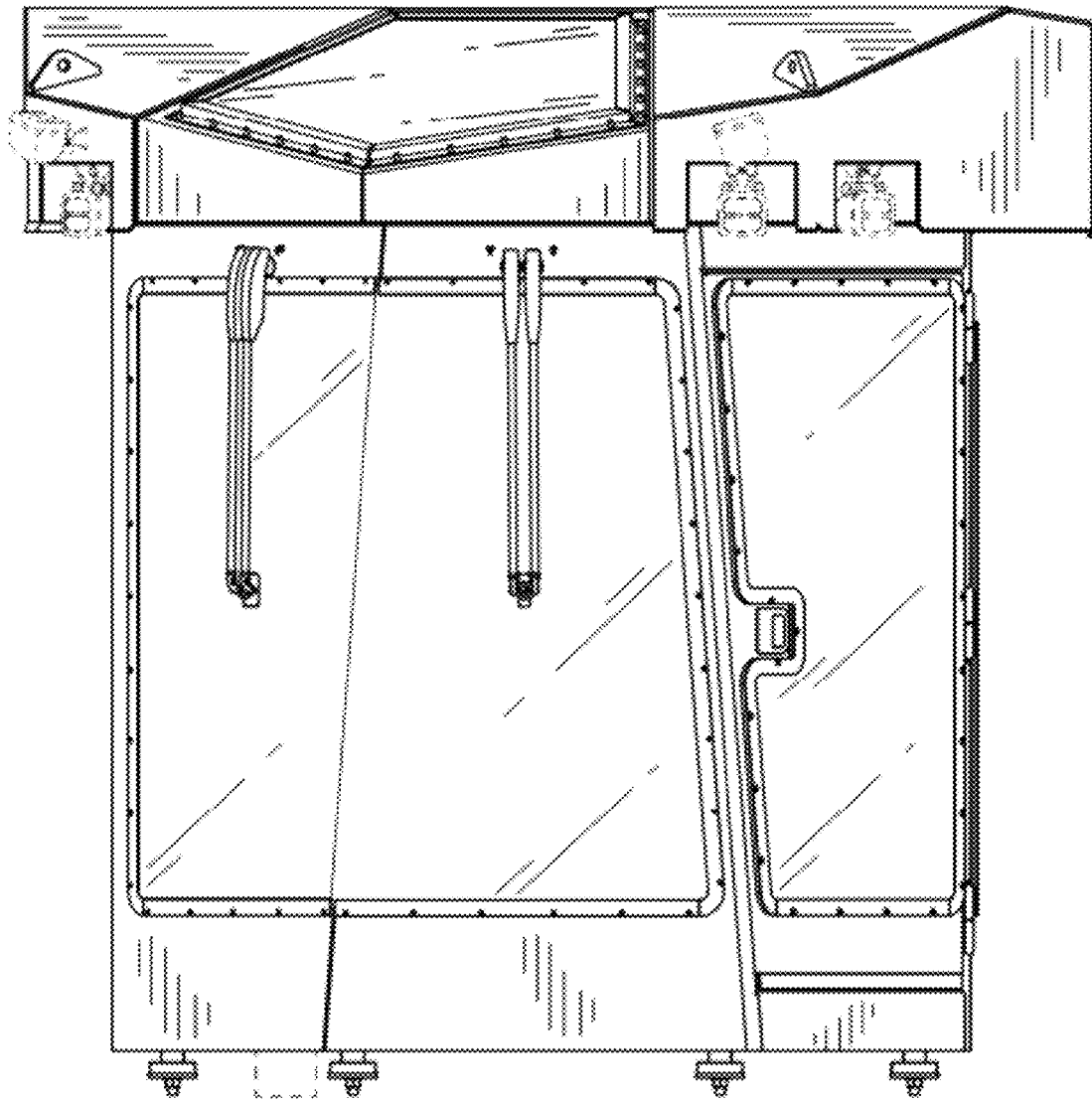


FIG. 2

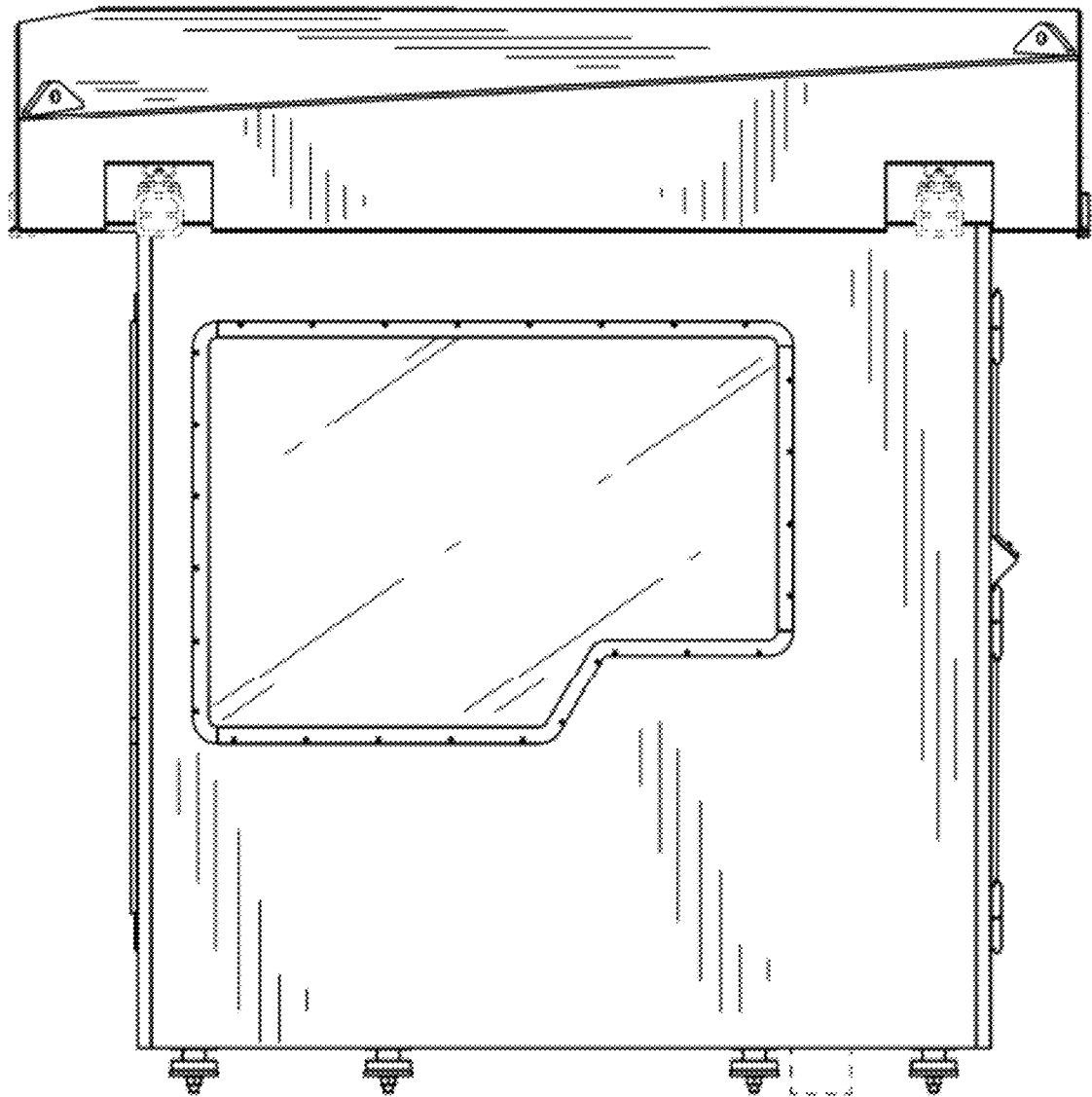


FIG. 3

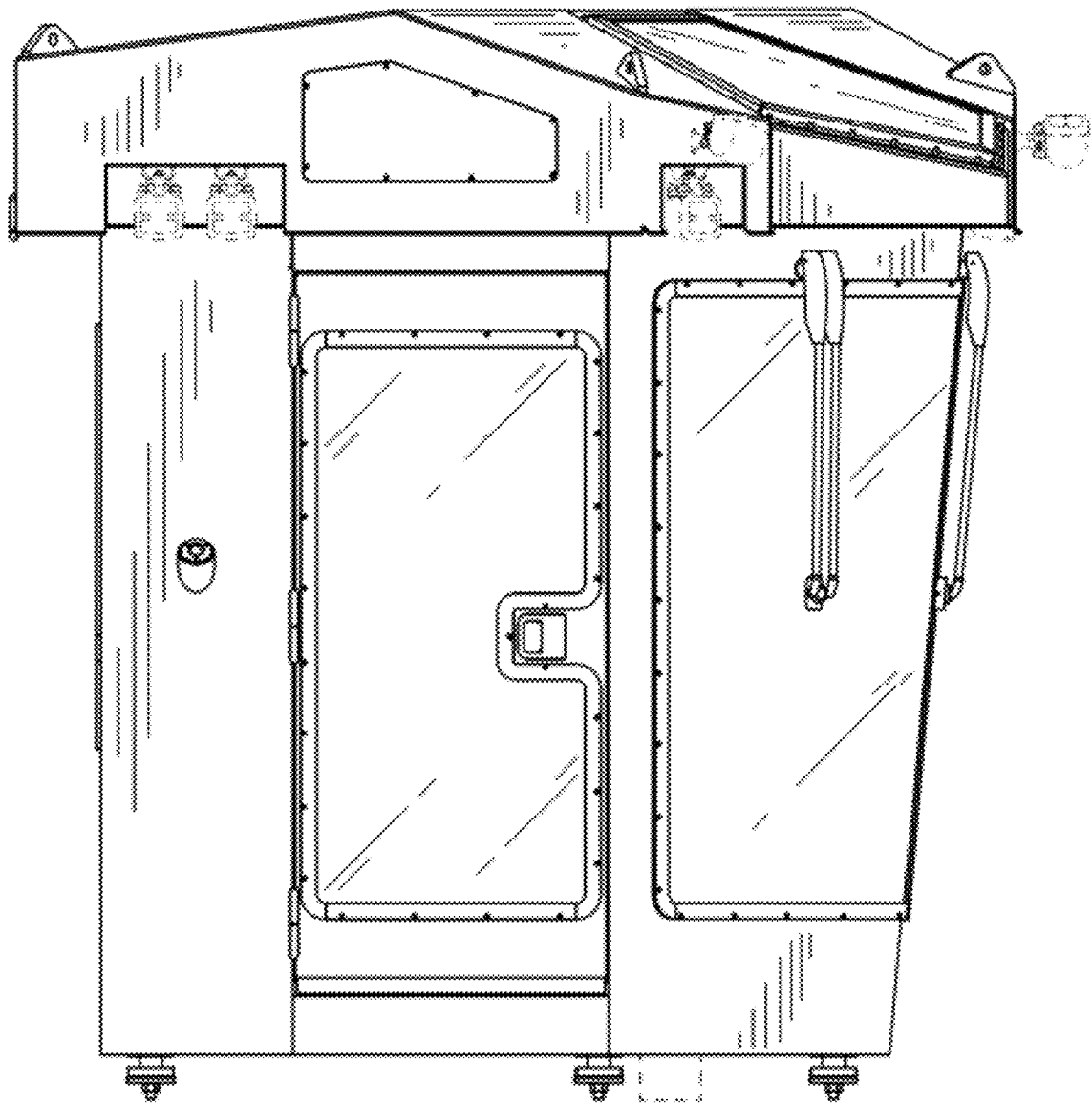


FIG. 4

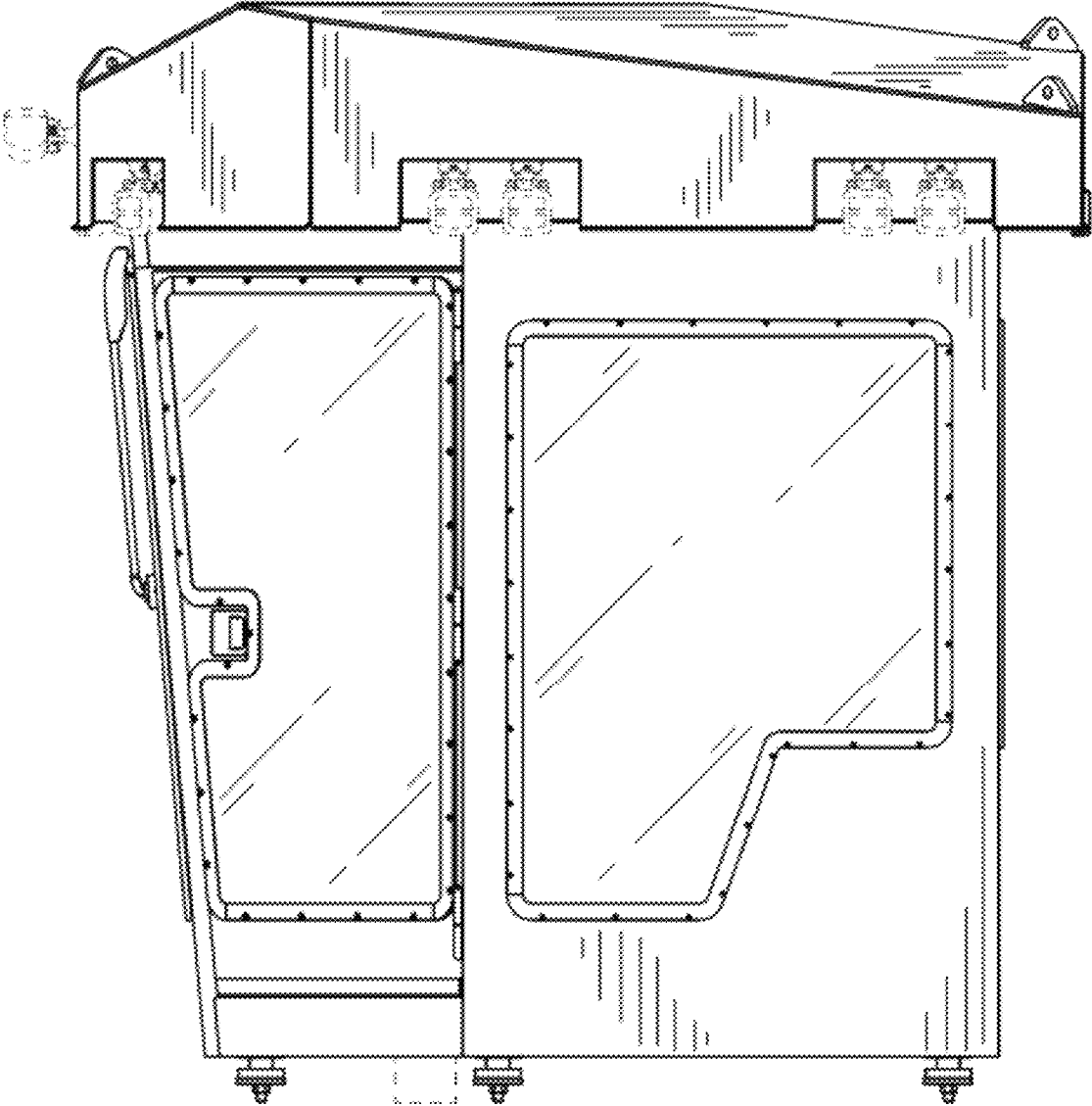


FIG. 5

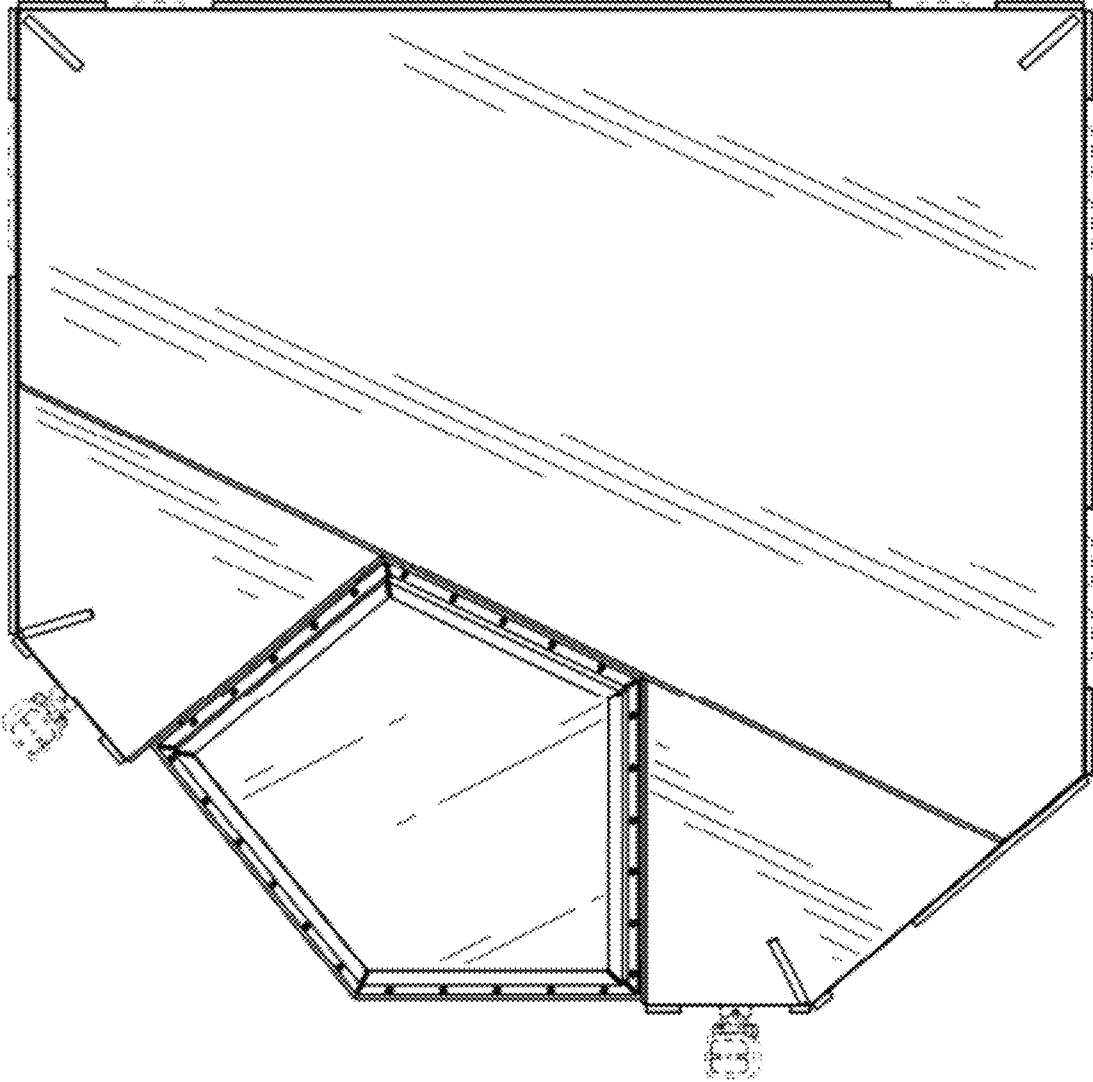


FIG. 6



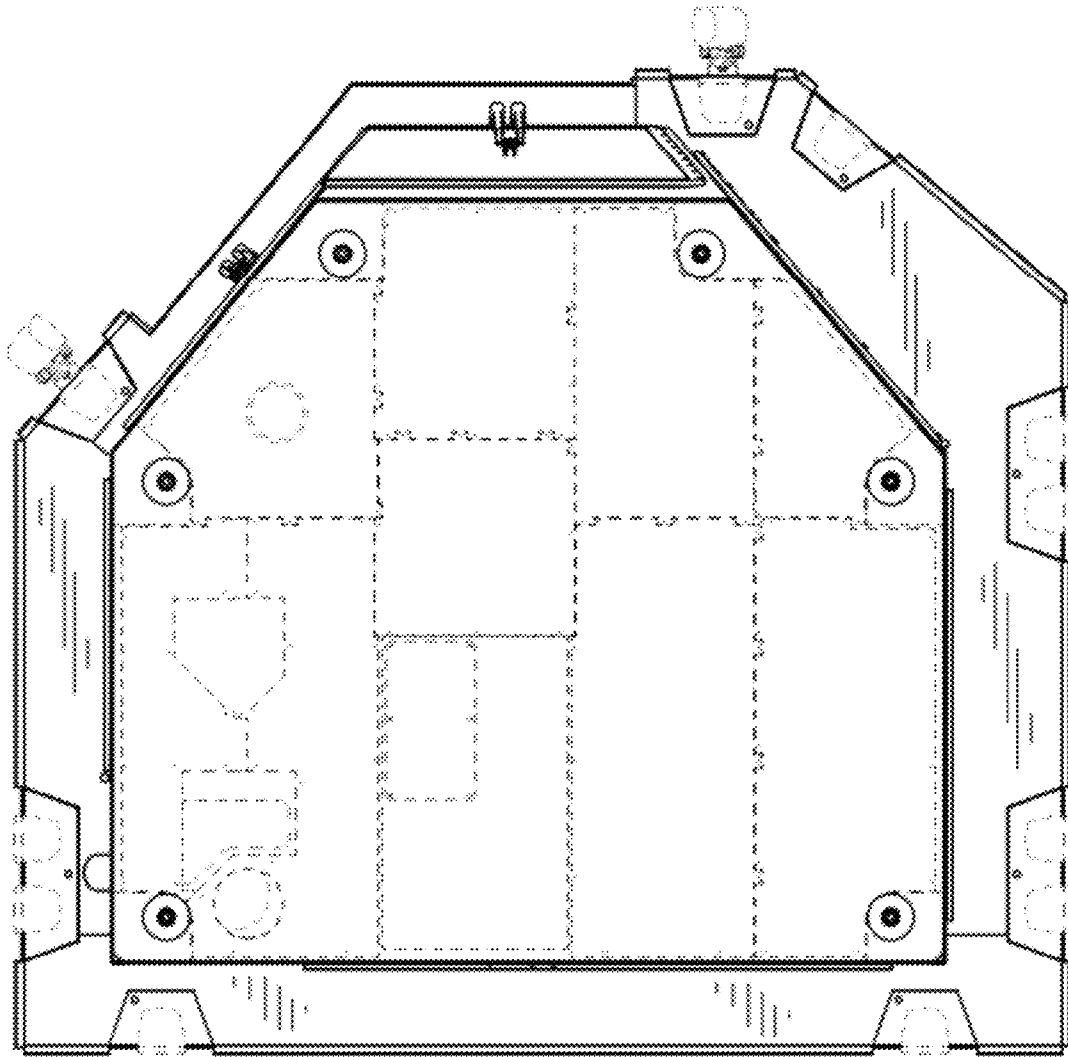


FIG. 7