



(12) **United States Design Patent**
Kimmel

(10) **Patent No.:** **US D863,222 S**
(45) **Date of Patent:** **** Oct. 15, 2019**

(54) **CONDUCTIVE PIN**
(71) Applicant: **Twisted Ideas, Inc.**, Tappan, NY (US)
(72) Inventor: **Reed Kimmel**, Tappan, NY (US)
(73) Assignee: **Twisted Ideas, Inc.**, Tappan, NY (US)
(**) Term: **15 Years**
(21) Appl. No.: **29/699,895**

(22) Filed: **Jul. 30, 2019**
(51) **LOC (12) Cl.** **13-03**
(52) **U.S. Cl.**
USPC **D13/133**
(58) **Field of Classification Search**
USPC D13/110, 112, 118, 123, 133, 146-149,
D13/154-156, 160, 173, 178, 184, 199
CPC .. F16B 19/04; F16B 23/00; F21S 8/00; G02B
6/38; H01H 33/66; H01H 33/664; H01H
1/02; H01H 11/04; H01H 50/54; H01R
9/05; H01R 13/04; H01R 13/52; H01R
13/58; H01R 13/639; H01R 13/66; H01R
24/66; H01R 31/06; H02H 5/04
See application file for complete search history.

(56) **References Cited**

U.S. PATENT DOCUMENTS

| | | | | | |
|-----------|-----|--------|---------------------|-------|-------------------------|
| 1,181,742 | A * | 5/1916 | Coolidge | | H01H 1/02 200/268 |
| 1,658,713 | A * | 2/1928 | Fuller | | H01H 1/02 428/661 |
| 2,796,495 | A * | 6/1957 | Keitel | | H01H 1/02372 200/266 |
| D293,710 | S * | 1/1988 | Woods | | D23/265 |
| 4,726,780 | A | 2/1988 | Thackeray | | |
| 4,904,195 | A | 2/1990 | Thackeray | | |
| D320,082 | S * | 9/1991 | Wyatt | | D24/129 |
| 5,893,772 | A | 4/1999 | Carmo et al. | | |
| 6,358,076 | B1 | 3/2002 | Haag | | |
| D460,571 | S * | 7/2002 | Schimmelpfennig ... | | E04C 5/161 D25/135 |
| D470,818 | S * | 2/2003 | Cheng | | D13/133 |

| | | | | | |
|-----------|-----|--------|-------------|-------|---------|
| D545,664 | S * | 7/2007 | Fields | | D8/310 |
| D562,987 | S * | 2/2008 | Colin | | D24/224 |
| 7,658,505 | B2 | 2/2010 | Howell | | |
| D642,548 | S * | 8/2011 | Bowen, III | | D13/183 |
| D678,516 | S * | 3/2013 | Wong | | D24/121 |
| D726,365 | S * | 4/2015 | Weigensberg | | D27/101 |
| 9,450,348 | B2 | 9/2016 | O'Rourke | | |

(Continued)

FOREIGN PATENT DOCUMENTS

| | | | |
|----|----------|----|--------|
| CA | 2658172 | A1 | 9/2010 |
| WO | 03034548 | A1 | 4/2003 |

OTHER PUBLICATIONS

Tungsten Copper Rivet Electrical Contact, dated Oct. 28, 2016, [online], [site visited Aug. 26, 2019]. Available from Internet, URL: <http://www.tungsten-copper.com/tungsten-copper-rivet-electrical-contact.html> (Year: 2016).*

(Continued)

Primary Examiner — Angela J Lee
Assistant Examiner — Shawn T Gingrich
(74) *Attorney, Agent, or Firm* — Werschulz Patent Law, LLC; Patricia P. Werschulz, Esq.

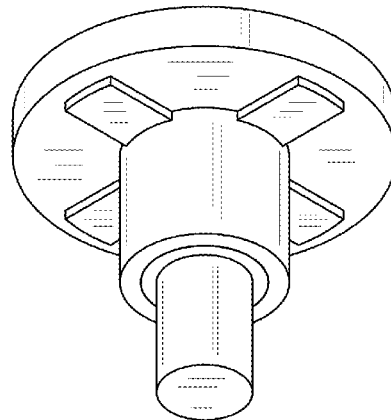
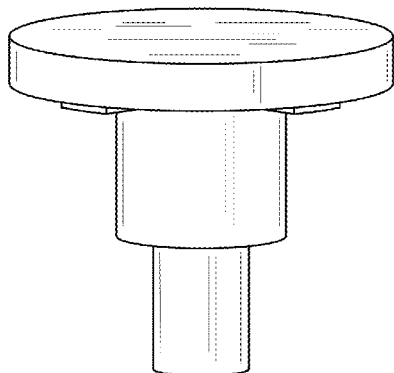
(57) **CLAIM**

The ornamental design for a conductive pin, as shown and described.

DESCRIPTION

FIG. 1 is a perspective view of a conductive pin from above, showing my new design;
FIG. 2 is a bottom perspective view from below;
FIG. 3 is a top plan view thereof;
FIG. 4 is a bottom plan view thereof;
FIG. 5 is a left side elevational view thereof, the right side elevational view being identical; and,
FIG. 6 is a front elevational view thereof, the rear elevational view being identical.

1 Claim, 3 Drawing Sheets



(56)

References Cited

U.S. PATENT DOCUMENTS

D805,193 S * 12/2017 Shoji D24/129
D813,552 S * 3/2018 Katsuma D4/122
D837,346 S * 1/2019 Lee D23/262
D847,595 S * 5/2019 Hampton D8/14
2013/0022782 A1 * 1/2013 Babej F16B 37/068
428/131
2015/0086036 A1 * 3/2015 Wang H04R 1/08
381/91
2016/0091008 A1 * 3/2016 Cerfeuille F16B 19/10
29/451
2016/0093995 A1 * 3/2016 Carbone H01R 13/426
439/733.1
2017/0244187 A1 * 8/2017 Ostermann H01R 13/04
2019/0215997 A1 * 7/2019 Hirooka H05K 13/0409

OTHER PUBLICATIONS

Anonymous, Capstone Light with Sound Bath Vanity Light, Amazon.com, https://www.amazon.com/Capstone-Light-Sound-Bath-Vanity/dp/B01HTZVUPC/ref=sr_1_1?keywords=Capstone+Light+with+Sound+Bath+Vanity+Light%3A+Home+%26+Kitchen&qid=1564163295&s=gateway&sr=8-1; Accessed Jul. 18, 2018.

Anonymous, Hubbell HBL7485 AC Plug NEMA ML-3P Male Black—Our Item #: 9327, <https://www.stayonline.com/detail.aspx?id=14040>, Published/Accessed: Jul. 27, 2018.

Anonymous, Lev-Lok Advantage: A faster, safer & more accurate connection, <https://www.leviton.com/en/products/brands/levlok>.

Anonymous, RV-Power-Cord Adapter, URL: <https://leisurecw.com/product/rv-power-cord-adapter-15-amp-male-to-50-amp-twist-lock-female-camper-detachable/> Published/Accessed: Jul. 27, 2018.

* cited by examiner

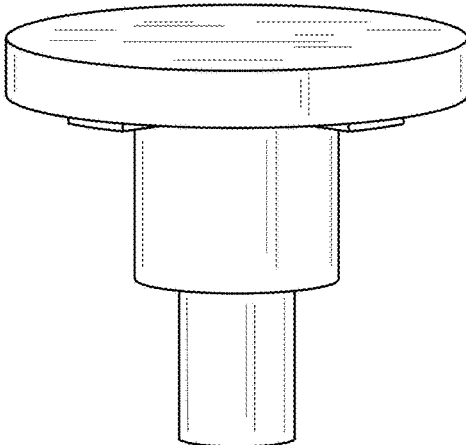


FIG. 1

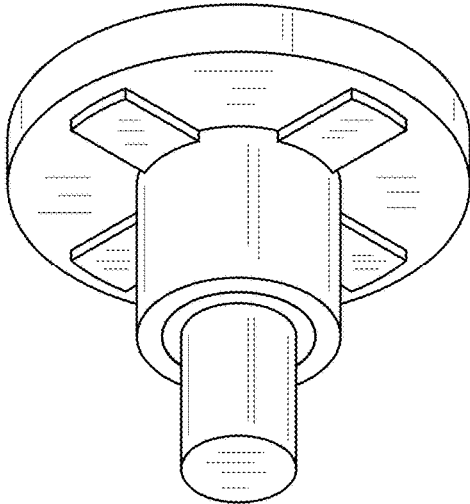


FIG. 2

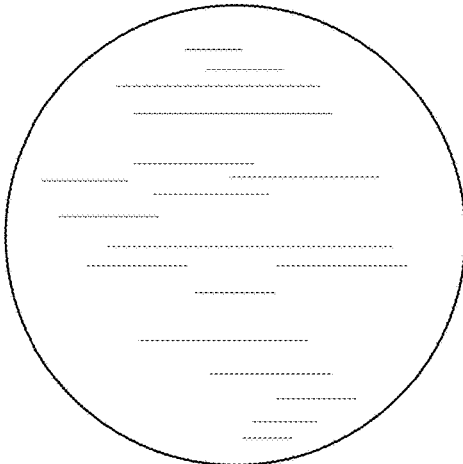


FIG. 3

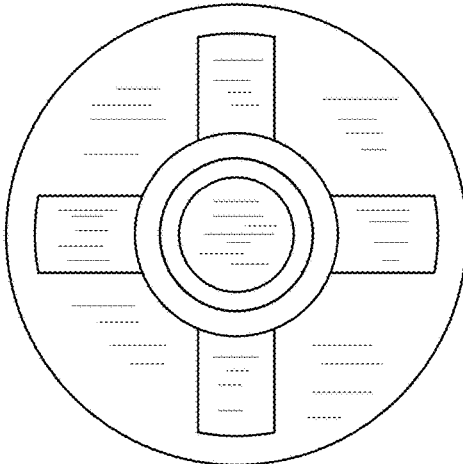


FIG. 4

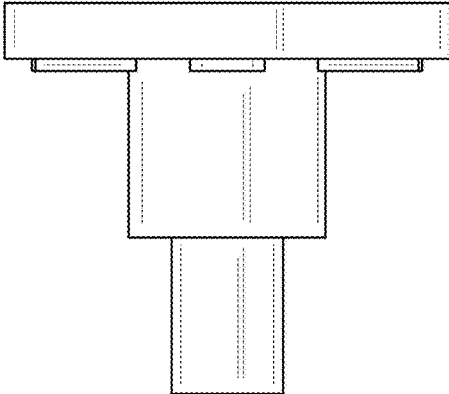


FIG. 5

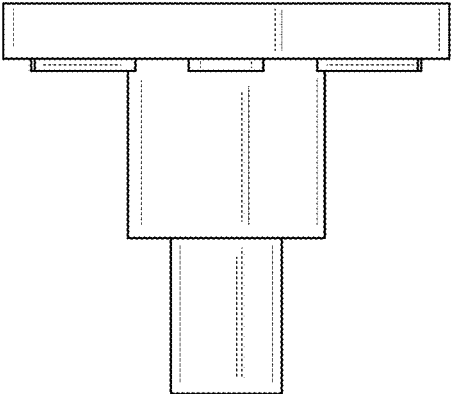


FIG. 6