



US00D390744S

**United States Patent** [19]  
**Otero**

[11] **Patent Number:** **Des. 390,744**  
[45] **Date of Patent:** **\*\*Feb. 17, 1998**

[54] **TEAPOT WITH WARNING WHISTLE**  
[75] **Inventor:** **Domingo Villar Otero, Vigo, Spain**  
[73] **Assignee:** **Plásticos De Galicia, S.A., Vigo, Spain**  
[\*\*] **Term:** **14 Years**

D. 369,058 4/1996 Simmons ..... D7/317 X  
3,218,435 11/1965 Mandziak ..... D7/312 X  
3,591,060 7/1971 Nakamura ..... D7/312 X

[21] **Appl. No.:** **64,533**  
[22] **Filed:** **Jan. 3, 1997**

**OTHER PUBLICATIONS**

King teakettle.Premium Practice, Jan. 1937, p. 16.

*Primary Examiner*—M. N. Pandozzi  
*Attorney, Agent, or Firm*—Bucknam and Archer

[30] **Foreign Application Priority Data**  
Oct. 24, 1996 [ES] Spain ..... 138559

[57] **CLAIM**

The ornamental design for a teapot with warning whistle, as shown and described.

[51] **LOC (6) Cl.** ..... **07-01**  
[52] **U.S. Cl.** ..... **D7/321; D7/312**  
[58] **Field of Search** ..... **D7/319, 301, 316,**  
**D7/300, 302, 303, 312, 317, 318, 322,**  
**305; 219/437; 222/475**

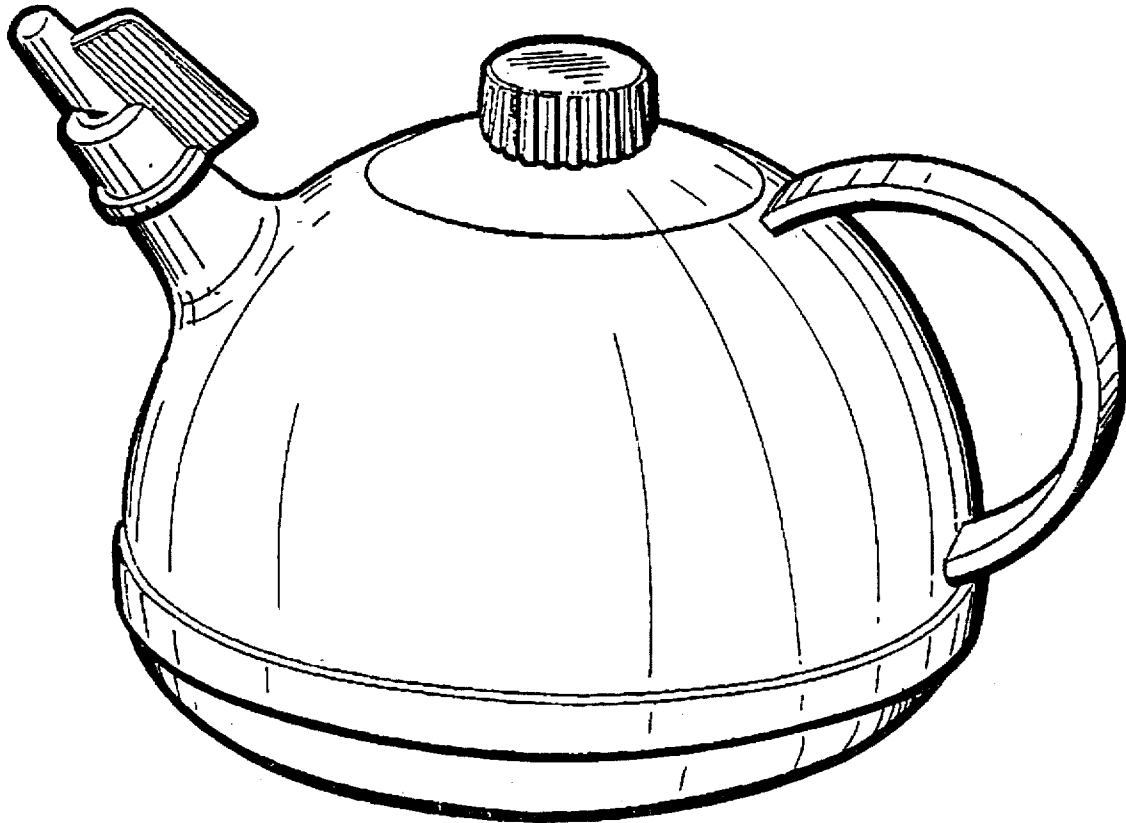
**DESCRIPTION**

FIG. 1 is a front elevational view of a teapot with warning whistle showing my new design;  
FIG. 2 is the right side view of the teapot of FIG. 1;  
FIG. 3 is the top view of the teapot of FIG. 1;  
FIG. 4 is the bottom view of the teapot of FIG. 1;  
FIG. 5 is the left side view of the teapot of FIG. 1;  
FIG. 6 is the rear view of the teapot of FIG. 1; and  
FIG. 7 is a front view in perspective of the teapot of FIG. 1.

[56] **References Cited**  
**U.S. PATENT DOCUMENTS**

D. 62,417 5/1923 Sander ..... D7/322  
D. 288,890 3/1987 Lebowitz ..... D7/322  
D. 302,093 7/1989 Palsby ..... D7/319 X

**1 Claim, 3 Drawing Sheets**



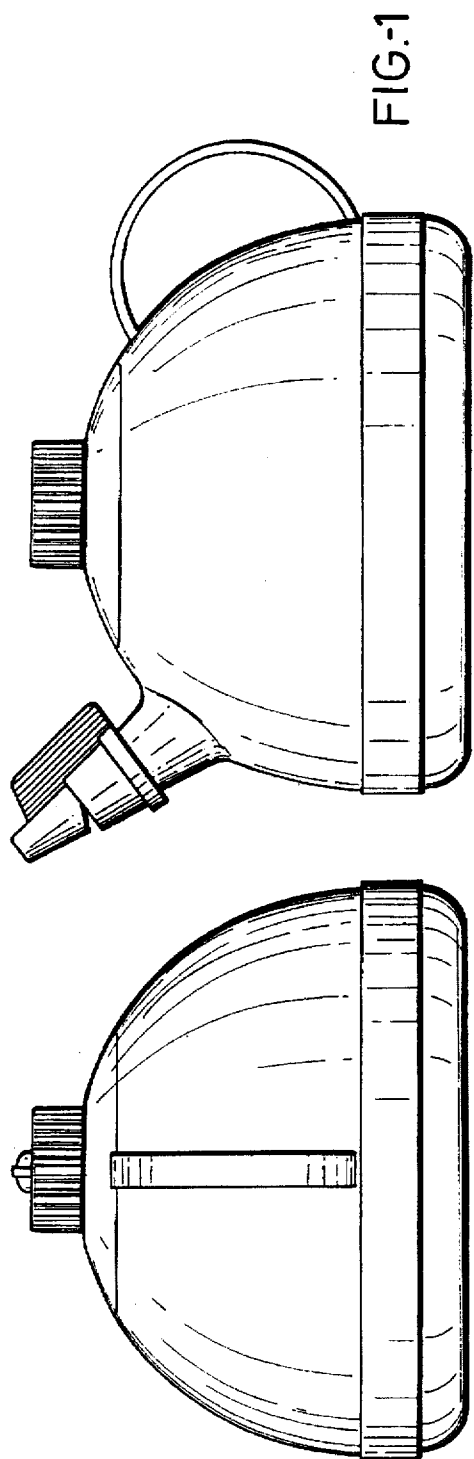


FIG. 1

FIG. 2

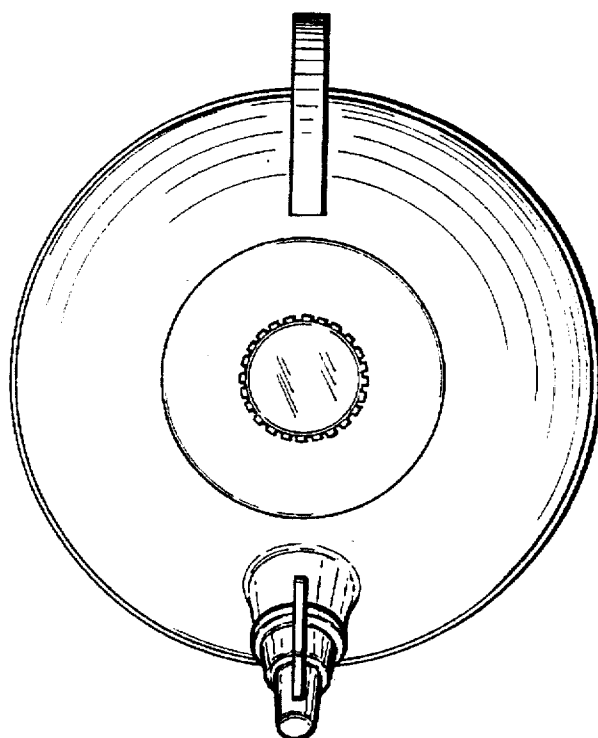


FIG. 3

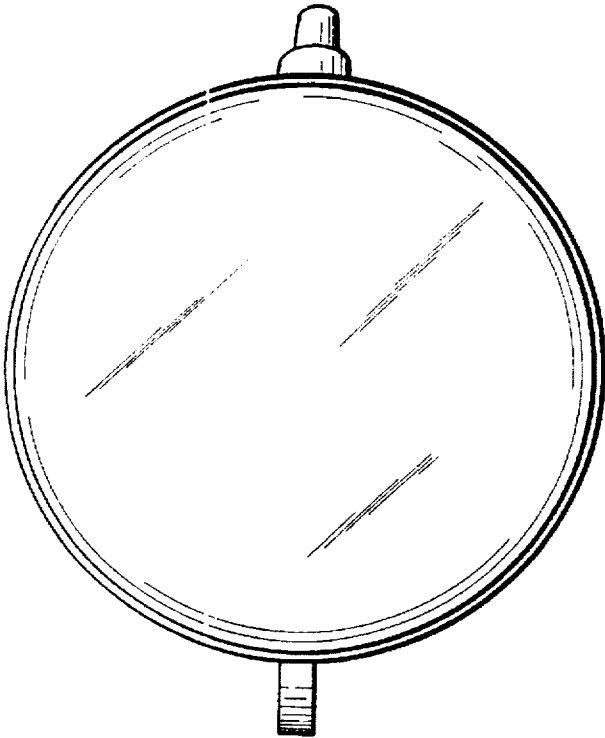


FIG.-4

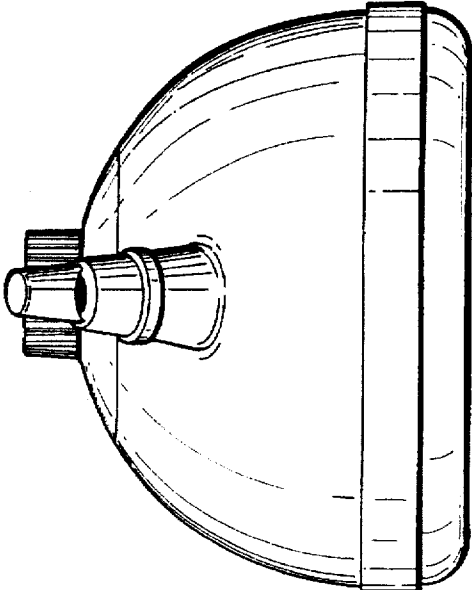


FIG.-5

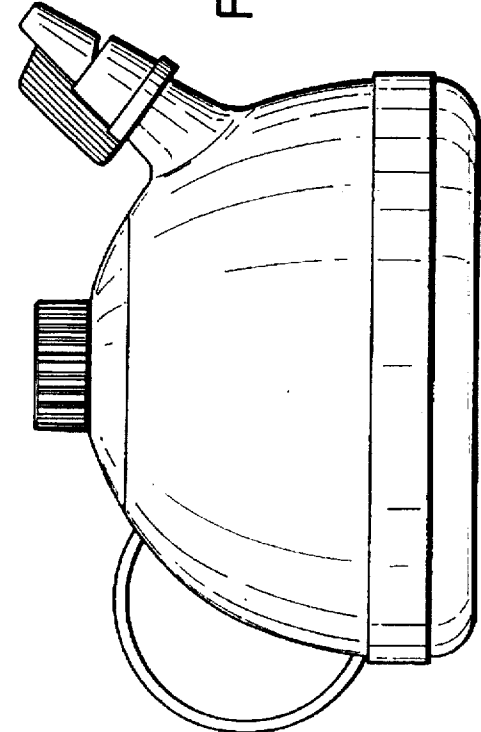


FIG.-6

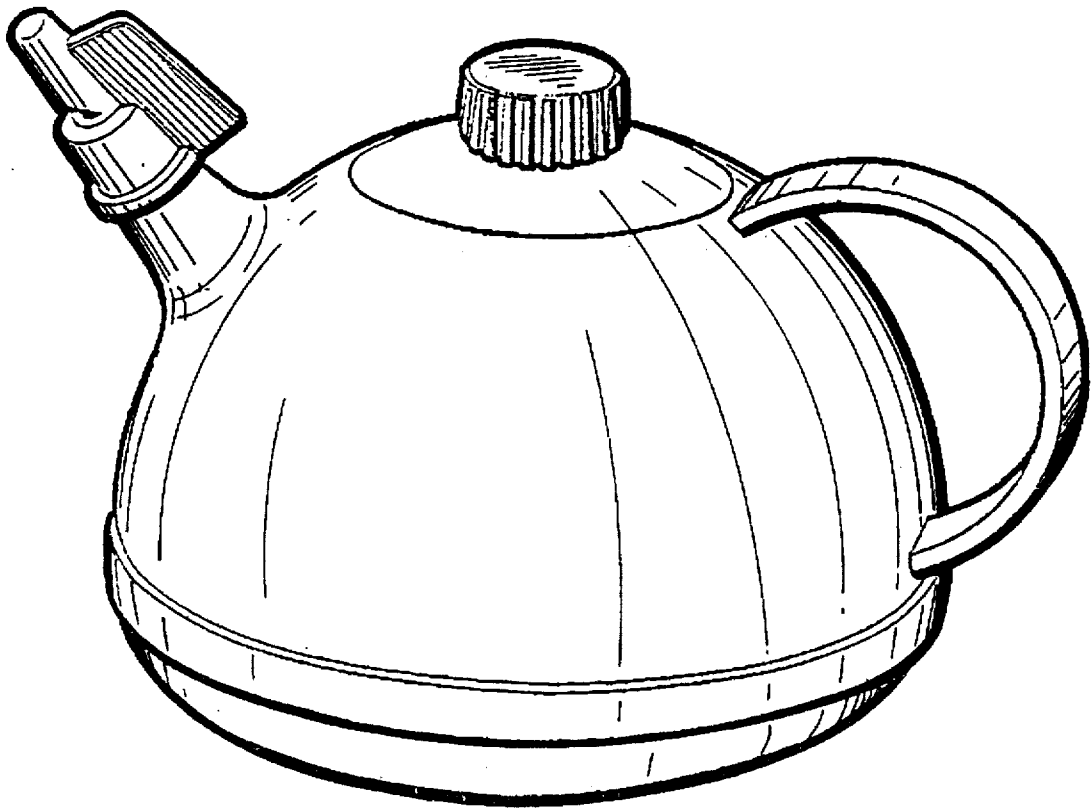


FIG.-7