



US00D749044S

(12) **United States Design Patent**  
**Huang**

(10) **Patent No.:** **US D749,044 S**

(45) **Date of Patent:** **\*\* Feb. 9, 2016**

(54) **CHARGER**

(71) Applicant: **Nokia Corporation**, Espoo (FI)

(72) Inventor: **Chao Huang**, Espoo (FI)

(73) Assignee: **MICROSOFT MOBILE OY**, Espoo (FI)

(\*\*) Term: **14 Years**

(21) Appl. No.: **29/470,103**

(22) Filed: **Oct. 17, 2013**

(51) **LOC (10) Cl.** ..... **13-02**

(52) **U.S. Cl.**  
USPC ..... **D13/108**

(58) **Field of Classification Search**

USPC ..... D13/103, 107-110, 118-119, 133, 184,  
D13/199; D14/251, 253, 432, 434,  
320/107-115  
CPC ..... Y02E 60/10; Y02E 60/12; Y02E 60/122;  
Y02E 60/124; Y02E 60/50; H01M 2/02;  
H01M 2/022; H01M 2/0202; H01M 2/0207;  
H01M 2/0212; H01M 2/1061; H01M 2/1022;  
H01M 2/1055; H01M 2/1066; H01M 2/105;  
H01M 2/20; H01M 2/202; H01M 2/204;  
H01M 2/206; H01M 10/44; H01M 10/46;  
H01M 10/465; H01M 10/482; H01M 2200/30;  
H01M 2250/30; H01M 2250/40; H02J 7/00;  
H02J 7/0003; H02J 7/0011; H02J 7/0013;  
H02J 7/0054; H02J 7/0055; H02J 7/0057;  
H02J 2007/0062

See application file for complete search history.

(56) **References Cited**

U.S. PATENT DOCUMENTS

4,086,523 A \* 4/1978 Izumi ..... H01M 10/46  
320/111  
D350,725 S \* 9/1994 Powers ..... D13/103  
D428,385 S \* 7/2000 Luh ..... D13/103  
D505,389 S \* 5/2005 Chang ..... D13/107

D532,372 S \* 11/2006 Keating ..... D13/108  
D539,216 S \* 3/2007 Hamaguchi ..... D13/103  
D539,217 S \* 3/2007 Hamaguchi ..... D13/103  
D539,218 S \* 3/2007 Gaber ..... D13/108  
D557,658 S \* 12/2007 Ledbetter ..... D13/108  
D624,920 S \* 10/2010 Sheppard ..... D14/435.1  
D633,034 S \* 2/2011 Heine ..... D13/103

(Continued)

FOREIGN PATENT DOCUMENTS

AU 109246 10/1990  
AU 337442 8/2011

(Continued)

*Primary Examiner* — Rosemary K Tarca

(74) *Attorney, Agent, or Firm* — Banner & Witcoff, Ltd.

(57) **CLAIM**

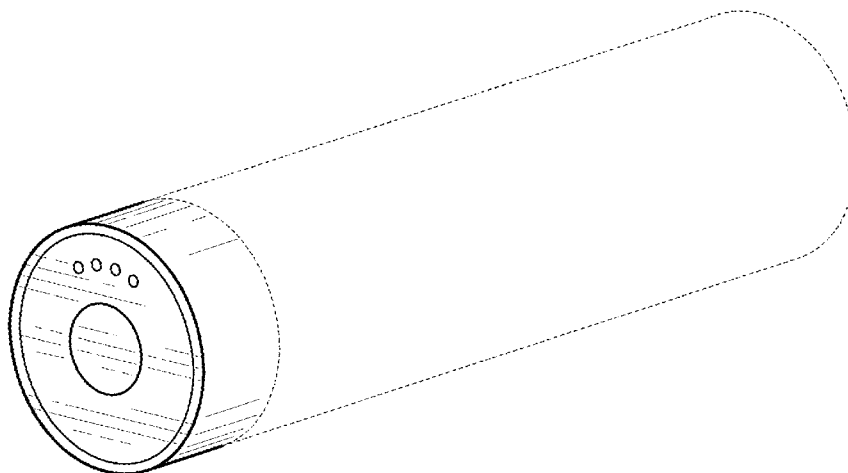
The ornamental design for a charger, as shown and described.

**DESCRIPTION**

FIG. 1 is a perspective front view of a charger, showing illuminable elements in a lightable sequence;  
FIG. 2 is another perspective front view of a charger, showing illuminable elements in a lightable sequence;  
FIG. 3 is another perspective front view of a charger, showing illuminable elements in a lightable sequence;  
FIG. 4 is another perspective front view of a charger, showing illuminable elements in a lightable sequence;  
FIG. 5 is another perspective front view of a charger, showing illuminable elements in a lightable sequence; and,  
FIG. 6 is an alternative perspective front view of the charger from FIG. 5.

The broken line showing of the charger in is for illustrative purposes only and forms no part of the claimed design. The charger includes circular illuminable elements on the front face. Applicant recognizes inventive aspects of the charger, and portions thereof, with the circular elements illuminated in any of the single state illuminable patterns shown, or in the multi-state or sequence of illumination shown.

**1 Claim, 3 Drawing Sheets**



(56)

References Cited

FOREIGN PATENT DOCUMENTS

U.S. PATENT DOCUMENTS

D645,816	S	*	9/2011	Sasada	.....	D13/108
8,014,130	BI	*	9/2011	Nguyen	.....	H01R 13/447
						361/600
D664,920	S	*	8/2012	Huang	.....	D13/107
D676,379	S	*	2/2013	Liu	.....	D13/108
D686,155	S	*	7/2013	Nguyen	.....	D13/103
D703,134	S	*	4/2014	Wong	.....	D13/108
D718,233	S	*	11/2014	Aumiller	.....	D13/108
D720,688	S	*	1/2015	Popper	.....	D13/103
D730,282	S	*	5/2015	Miller	.....	D13/103
D733,050	S	*	6/2015	Chiang	.....	D13/103
D735,663	S	*	8/2015	Miller	.....	D13/103

EP	000651138-0001	1/2007
EP	000770441-0001	6/2007
GB	2077133	3/1998
GB	2074933	5/1998
GB	2092766	6/1999
JP	1098785	1/2001
JP	1125940	11/2001
RU	83273	10/2012
WO	DM/077811	2/2012

\* cited by examiner

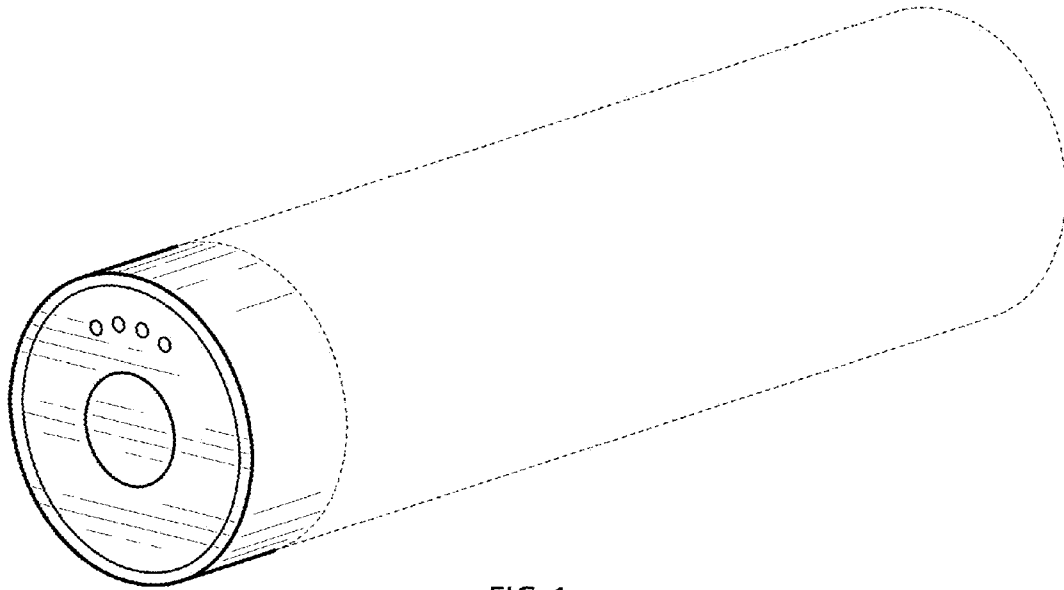


FIG. 1

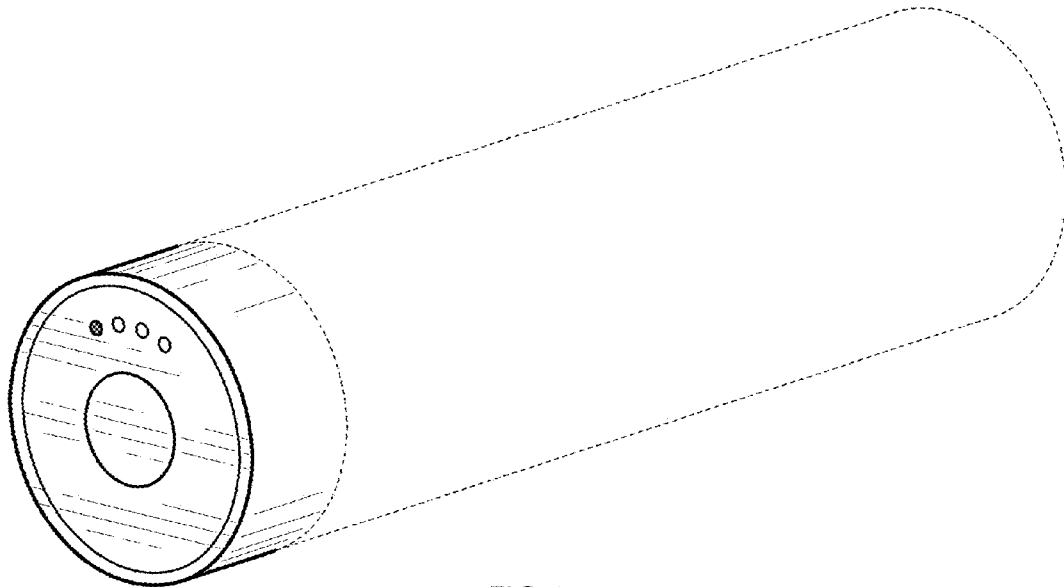


FIG. 2

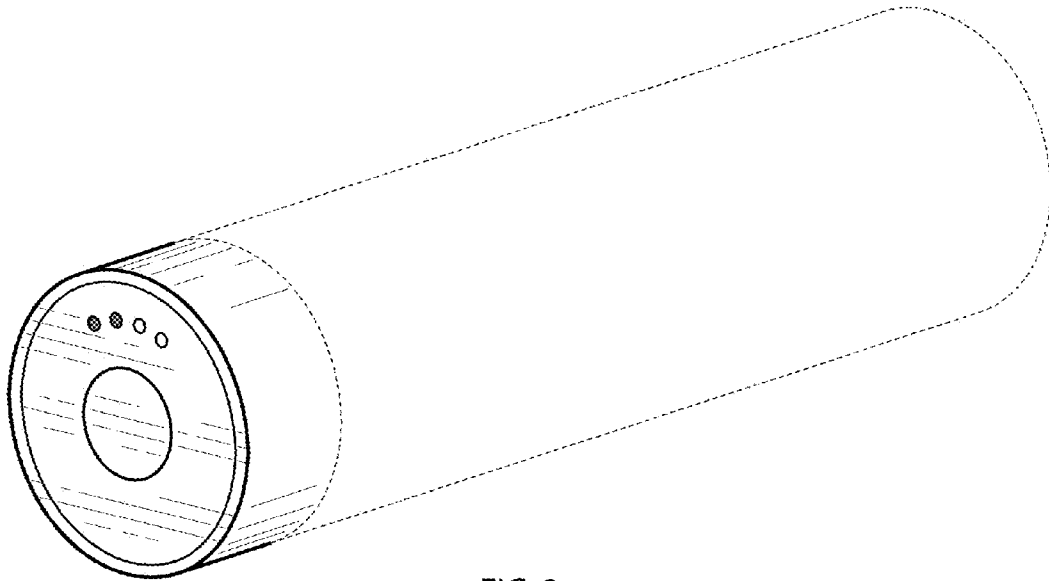


FIG. 3

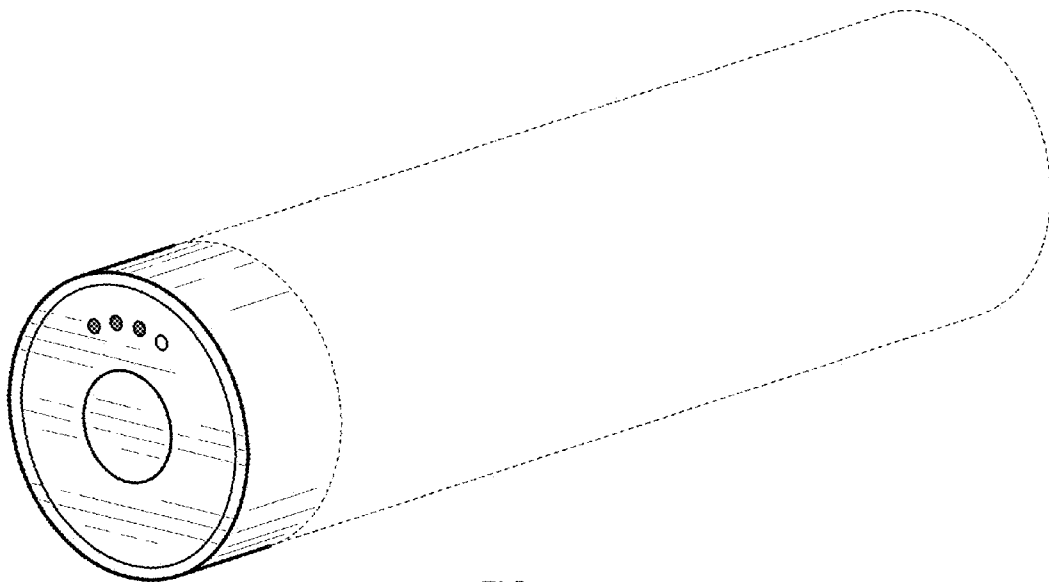


FIG. 4

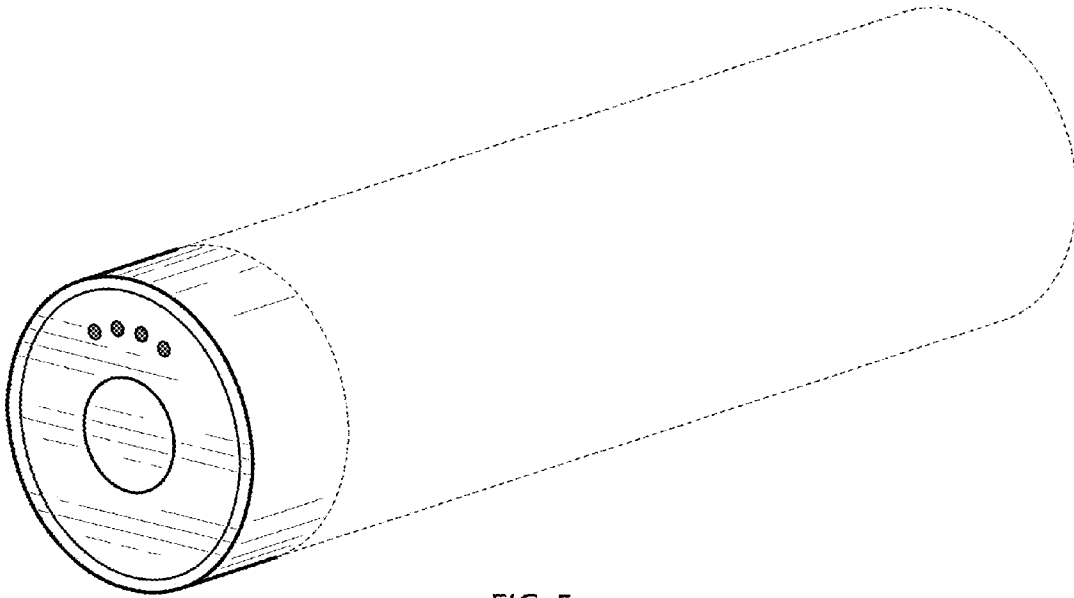


FIG. 5

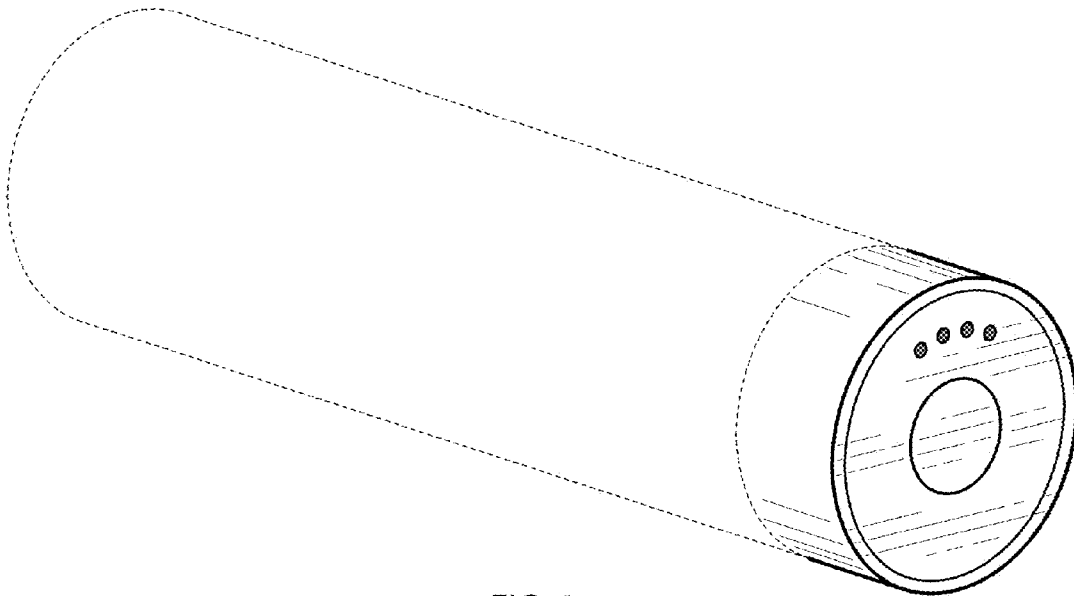


FIG. 6