



(12) **DEMANDE DE BREVET CANADIEN
CANADIAN PATENT APPLICATION**

(13) **A1**

(86) Date de dépôt PCT/PCT Filing Date: 2020/03/06
 (87) Date publication PCT/PCT Publication Date: 2020/09/10
 (85) Entrée phase nationale/National Entry: 2021/08/30
 (86) N° demande PCT/PCT Application No.: CA 2020/000021
 (87) N° publication PCT/PCT Publication No.: 2020/176967
 (30) Priorité/Priority: 2019/03/06 (US62/814,737)

(51) Cl.Int./Int.Cl. *E21B 23/00* (2006.01),
B23B 31/117 (2006.01), *B23B 31/20* (2006.01),
B23B 31/40 (2006.01)
 (71) Demandeur/Applicant:
NOETIC TECHNOLOGIES INC., CA
 (72) Inventeurs/Inventors:
SLACK, MAURICE WILLIAM, CA;
YUNG, VICTOR, CA
 (74) Agent: TOMKINS, DONALD V.

(54) Titre : APPAREIL ET PROCÉDES POUR AMÉLIORER LA DISTRIBUTION DE CONTRAINTES EN SURFACE À L'INTÉRIEUR DE MÉCANISMES À PINCE DE SERRAGE
 (54) Title: APPARATUS AND METHODS FOR IMPROVING CONTACT STRESS DISTRIBUTION WITHIN COLLET-TYPE MECHANISMS

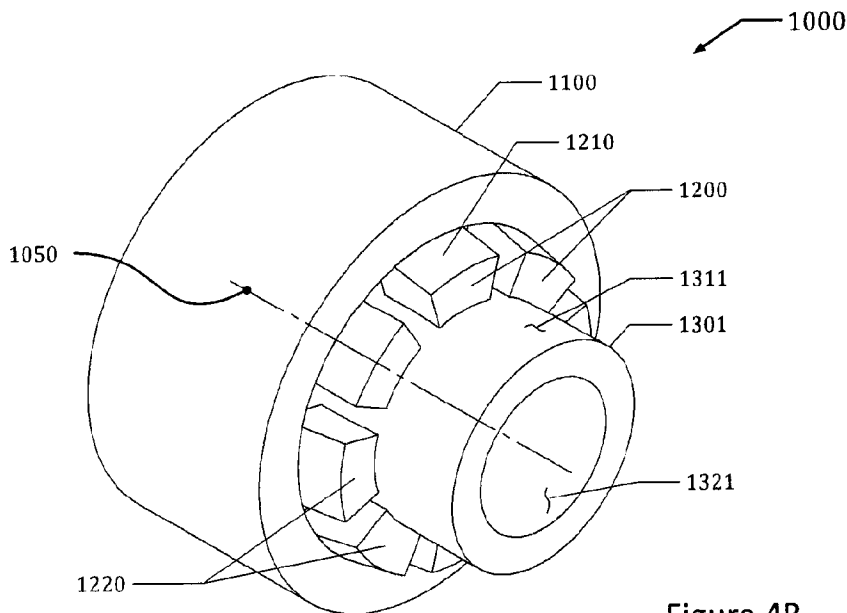


Figure 4B

(57) **Abrégé/Abstract:**

A collet-type mechanism for releasably gripping either an external or internal target surface of a tubular workpiece includes a collet receiver defining a collet receiver contact surface configured as a curved lateral surface of a truncated right circular cone, and a segmented collet assembly comprising a plurality of collet segments. Each collet segment defines a workpiece engagement surface configured for gripping engagement with a workpiece target surface, and a collet segment contact surface configured for at least partial contacting engagement with the collet receiver contact surface. The collet segment contact surface may comprise two axially-contiguous regions, one of which corresponds to a curved lateral surface of either an oblique circular cylinder or a right circular cylinder, and the other of which corresponds to a curved lateral surface of a truncated right circular cone.

(12) INTERNATIONAL APPLICATION PUBLISHED UNDER THE PATENT COOPERATION TREATY (PCT)

(19) World Intellectual Property
Organization
International Bureau



(10) International Publication Number
WO 2020/176967 A1

(43) International Publication Date
10 September 2020 (10.09.2020)

(51) International Patent Classification:

E21B 23/00 (2006.01) *B23B 31/40* (2006.01)
B23B 31/117 (2006.01) *B23B 31/20* (2006.01)

(21) International Application Number:

PCT/CA2020/000021

(22) International Filing Date:

06 March 2020 (06.03.2020)

(25) Filing Language:

English

(26) Publication Language:

English

(30) Priority Data:

62/814,737 06 March 2019 (06.03.2019) US

(71) Applicant: **NOETIC TECHNOLOGIES INC.** [CA/CA];
4110-56 Avenue NW, Edmonton, Alberta T6B 3R8 (CA).

(72) Inventors: **SLACK, Maurice William**; 3214 McCall Place
NW, Edmonton, Alberta T6R 3V2 (CA). **YUNG, Victor**;
7052 Newston Road NW, Edmonton, Alberta T5E 6V8
(CA).

(74) Agent: **TOMKINS, Donald V.**; c/o Tomkins Law Office,
740, 10150 - 100 Street, Edmonton, Alberta T5J 0P6 (CA).

(81) Designated States (unless otherwise indicated, for every kind of national protection available): AE, AG, AL, AM, AO, AT, AU, AZ, BA, BB, BG, BH, BN, BR, BW, BY, BZ, CA, CH, CL, CN, CO, CR, CU, CZ, DE, DJ, DK, DM, DO, DZ, EC, EE, EG, ES, FI, GB, GD, GE, GH, GM, GT, HN, HR, HU, ID, IL, IN, IR, IS, JO, JP, KE, KG, KH, KN, KP, KR, KW, KZ, LA, LC, LK, LR, LS, LU, LY, MA, MD, ME, MG, MK, MN, MW, MX, MY, MZ, NA, NG, NI, NO, NZ, OM, PA, PE, PG, PH, PL, PT, QA, RO, RS, RU, RW, SA, SC, SD, SE, SG, SK, SL, ST, SV, SY, TH, TJ, TM, TN, TR, TT, TZ, UA, UG, US, UZ, VC, VN, WS, ZA, ZM, ZW.

(84) Designated States (unless otherwise indicated, for every kind of regional protection available): ARIPO (BW, GH, GM, KE, LR, LS, MW, MZ, NA, RW, SD, SL, ST, SZ, TZ, UG, ZM, ZW), Eurasian (AM, AZ, BY, KG, KZ, RU, TJ, TM), European (AL, AT, BE, BG, CH, CY, CZ, DE, DK, EE, ES, FI, FR, GB, GR, HR, HU, IE, IS, IT, LT, LU, LV, MC, MK, MT, NL, NO, PL, PT, RO, RS, SE, SI, SK, SM,

(54) Title: APPARATUS AND METHODS FOR IMPROVING CONTACT STRESS DISTRIBUTION WITHIN COLLET-TYPE MECHANISMS

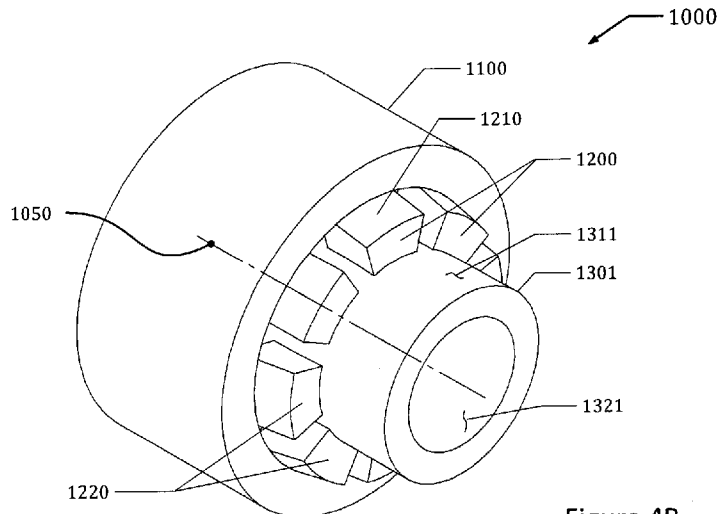


Figure 4B

(57) Abstract: A collet-type mechanism for releasably gripping either an external or internal target surface of a tubular workpiece includes a collet receiver defining a collet receiver contact surface configured as a curved lateral surface of a truncated right circular cone, and a segmented collet assembly comprising a plurality of collet segments. Each collet segment defines a workpiece engagement surface configured for gripping engagement with a workpiece target surface, and a collet segment contact surface configured for at least partial contacting engagement with the collet receiver contact surface. The collet segment contact surface may comprise two axially-contiguous regions, one of which corresponds to a curved lateral surface of either an oblique circular cylinder or a right circular cylinder, and the other of which corresponds to a curved lateral surface of a truncated right circular cone.

[Continued on next page]



WO 2020/176967 A1

WO 2020/176967 A1 

TR), OAPI (BF, BJ, CF, CG, CI, CM, GA, GN, GQ, GW,
KM, ML, MR, NE, SN, TD, TG).

Declarations under Rule 4.17:

- *as to applicant's entitlement to apply for and be granted a patent (Rule 4.17(ii))*
- *as to the applicant's entitlement to claim the priority of the earlier application (Rule 4.17(iii))*
- *of inventorship (Rule 4.17(iv))*

Published:

- *with international search report (Art. 21(3))*

APPARATUS AND METHODS FOR IMPROVING CONTACT STRESS DISTRIBUTION WITHIN COLLET-TYPE MECHANISMS

FIELD

5 This disclosure relates in general to collet-type and slips-type devices and mechanisms for releasably gripping an object or workpiece such that displacement of the workpiece relative to the collet is strongly resisted when axial load is transferred in one direction between the collet and its receiving sleeve, and the collet is urged to release the workpiece when the direction of axial load is reversed.

BACKGROUND

10 Collet-type mechanisms have been used in a wide variety of devices and mechanisms for well over one hundred years. Examples of collet-type mechanisms can be found in many devices, including but not limited to:

- Chucks on milling machines used to hold tooling;
- Chucks on multi-bit screwdrivers used to hold bits;
- 15 • Chucks on telescoping leg assemblies used to lock the positions of concentric leg segments relative to each other;
- Slips on drilling rigs used to hold pipe strings; and
- Tubular running tools, such as tools described in U.S. Patent No. 7,909,120 (Slack) and U.S. Patent No. 10,081,989 (Slack).

20 Collet-type mechanisms offer numerous advantages including the following:

- Self-centering of the workpiece relative to the collet mechanism;
- Precise centering of the workpiece relative to the collet mechanism;
- Strong gripping of the workpiece;
- Resistance to the workpiece being jarred loose (i.e., untightened); and
- 25 • Ability to quickly release and change the workpiece being gripped.

Collet-type mechanisms that grip an external surface of a workpiece are generally known as external collets. Collet-type mechanisms that grip an internal surface of a workpiece are generally known as internal collets.

5 Conventional collet-type mechanisms typically incorporate two contacting components: a segmented collet assembly (alternatively referred to herein simply as a “segmented collet”), and a collet receiver. The surface of the collet receiver that contacts the segmented collet is configured as a curved lateral surface of a truncated right circular cone. The surfaces of the segmented collet (i.e., surfaces of the collet segments) that contact the collet receiver are also configured as curved lateral surfaces of a truncated
10 right circular cone. The segments of the segmented collet function as wedges acting between the collet receiver and the workpiece.

Application of axial load to the segmented collet in one direction relative to the collet receiver will increase the gripping force acting on the workpiece. Application of axial load to the segmented collet in the opposite direction will urge the collet mechanism
15 to release the workpiece. Axial load may be applied to the segmented collet via the workpiece, as is done with common drilling rig slips (in which case the workpiece is a length of pipe). Alternatively, the axial load may be primarily applied to the segmented collet by means independent of the workpiece, as with common chucks on milling machines.

20 As used in this disclosure, the term “collet segment” is to be understood as meaning a segment of a segmented collet. The collet segments in a given segmented collet may be physically separate from each other, or may be coupled by some means permitting a selected degree of relative movement between the collet segments in one or more directions or senses. Non-limiting examples of means for permitting relative
25 movement between coupled collet segments include the provision of an integrated metal spring, and forming the collet using two or more materials having different flexural stiffnesses.

When a collet-type mechanism is used to grip a workpiece that dimensionally corresponds to the “nominal” size of the collet-type mechanism (typically corresponding

to a “nominal” internal or external diameter), the collet segments will contact the collet receiver and initiate gripping of the workpiece when the segmented collet is located at a “nominal” axial reference position along the length of the collet receiver. At this nominal reference position, the contacting surfaces of the collet segments and the collet receiver
5 will have the same radius at each axial location along the lengths of the components, and the contacting surfaces will thus coincide. As axial force is applied to the segmented collet to increase the gripping force, the contact stress distribution that develops between the collet segments and collet receiver will be nearly uniform. For purposes of this disclosure, this type of contact condition will be referred to as “match contact” (as further
10 discussed later herein with reference to FIGS. 1A and 2A).

When a collet-type mechanism holds a workpiece that is not of the nominal size, the collet segments will contact the collet receiver and initiate gripping of the workpiece when the segmented collet is located at an axial position within the collet receiver that is away from the nominal axial reference position. At every axial location, the radii of
15 curvature of the contact surfaces of the collet segments and the collet receiver will be different. As axial force is applied to the segmented collet to increase the gripping force, the contact stress distribution that develops between the collet segments and the collet receiver will be less uniform than for the situation where the workpiece is of the nominal size.

20 With an internal collet mechanism, if the size of the workpiece is less than the nominal size of the collet, the area of contact of each collet segment with the collet receiver will be reduced toward the longitudinal center of each collet segment. For purposes of this disclosure, this type of contact condition will be referred to as “center contact” (as further discussed later herein with reference to FIG. 2B).

25 If the size of the workpiece is greater than the nominal size of the collet, then the area of contact of each collet segment with the collet receiver will be reduced toward the two longitudinal edges of each collet segment. For purposes of this disclosure, this type of contact condition will be referred to as “edge contact” (as further discussed later herein with reference to FIGS. 1C and 2C).

With an external collet mechanism, if the size of the workpiece is less than the nominal size of the collet, then edge contact occurs (as in FIG. 1C). If the size of the workpiece is greater than the nominal size of the collet, then center contact occurs (as in FIG. 1B).

5 The reduction of contact area when the workpiece varies from the nominal size of the collet, as described above, leads to an increase in the maximum contact stress for a given gripping force. This increase in maximum contact stress is more pronounced with a given axial positional change from match contact toward an edge contact condition, compared to an axial positional change of the same magnitude toward a center contact
10 condition. Sliding occurs between the contact surfaces as the gripping force increases, or as the workpiece is released, or if the collet mechanism permits relative rotation (such as in tubular running tools described in US 7,909,120). The risk of the contact surfaces galling or being otherwise damaged increases as the maximum contact stress increases. For this reason, the acceptable size range of workpieces specified for some collet
15 mechanisms may be selected to produce either match contact or center contact, and to avoid edge contact.

 If torque is transmitted between the collet receiver and workpiece through the collet mechanism, each collet segment will have a greater tendency to rotate along an axis generally parallel to the longitudinal axis of the collet mechanism when in a center
20 contact condition, as compared to the tendency for such rotation when the collet segment is in a match contact condition or edge contact condition. Such rotation of the collet segments may cause the collet mechanism to jam and impair the collet mechanism's ability to quickly release the workpiece. Therefore, the collet segments are described as having less stability when in a center contact condition than when in a match contact
25 condition or an edge contact condition.

BRIEF SUMMARY

In general terms, the present disclosure teaches embodiments of collet-type mechanisms in which the contact conditions between the collet segments and the collet receiver are less dependent on the size of the workpiece gripped by the mechanism than
5 in prior art collet-type mechanisms that have conical contact surfaces on both the collet segments and the collet receiver. The present disclosure also teaches embodiments of methods for selecting the configuration of the surface of a collet segment that contacts the collet receiver.

More specifically, the present disclosure teaches collet-type mechanisms in which
10 the surface of the collet receiver that contacts the collet segments is configured as a curved lateral surface of a truncated right circular cone, and the surface of each collet segment that contacts the collet receiver (which surface is also referred herein as a “collet segment contact surface”) is configured to have curvature which, as viewed in section transversely perpendicular to the longitudinal axis of the mechanism, is invariant along at
15 least part of the axial length of the collet segment. In the most general form, each collet segment contact surface is configured as an arc having a curvature similar to the curvature of the conical collet receiver surface, and projected for at least part of its length along a line parallel to the taper of the conical collet receiver surface.

Embodiments within the scope of the present disclosure include collet segments
20 wherein the surface that contacts the collet receiver is at least partly configured as a curved lateral surface of a circular cylinder, wherein the circular cylinder may be an oblique circular cylinder in some embodiments and a right circular cylinder in other embodiments. As used in this disclosure:

- the term “oblique circular cylinder” (or “OCC”) is to be understood as meaning a
25 cylinder having two planar circular bases of equal diameter that are parallel to each other, and an “OCC” axis extending between the centers of the bases where the OCC axis is not perpendicular to the bases;
- the term “right circular cylinder” (or “RCC”) is to be understood as meaning a cylinder having two planar circular bases of equal diameter that are parallel to

each other, and an “RCC” axis extending between the centers of the bases where the RCC axis is perpendicular to the bases; and

- the term “cylindrical surface” is to be understood as meaning a curved lateral surface of an oblique or right circular cylinder that does not include a surface of either of the bases of the cylinder.

5

The skew angle of a circular cylinder is to be understood as meaning the angle between the OCC or RCC axis (as the case may be) and normal vectors extending from the centers of the bases. For a right circular cylinder (RCC), the skew angle is zero. For an oblique circular cylinder (OCC), the skew angle is non-zero.

10 The term “collet receiver contact surface” is to be understood as meaning the surface of the collet receiver that contacts the collet segments.

For both external and internal collet mechanisms, the angle between the axis of the cylindrical surface of each collet segment and the axis of the conical collet receiver contact surface may be selected to equal the taper angle of the conical collet receiver contact surface.

15

The radii of the cylindrical surfaces of the collet segments may be selected to optimize the contact stress distribution based on the design objectives for the collet mechanism. For an external collet mechanism, the radius of the cylindrical surface on each collet segment may be selected to be close fitting with the smallest radius of the conical collet receiver contact surface. For an internal collet mechanism, the radius of the cylindrical surface on each collet segment may be selected to be close fitting with the largest radius of the conical collet receiver contact surface.

20

The skew angle of the circular cylinders defining a portion of the contact surface of each collet segment also may be selected to optimize the contact stress distribution based on the particular design objectives for the collet-type mechanism. In one embodiment in accordance with the present disclosure, the skew angle is selected to equal the taper angle of the conical collet receiver contact surface, and the resulting portion of the contact surface on each collet segment is a part of an oblique cylindrical surface. In

25

another embodiment, the skew angle is selected to be less than the taper angle of the conical collet receiver contact surface -- for example, with the skew angle equal to zero and the resulting portion of the contact surface of each collet segment being part of a right cylindrical surface. In a further embodiment, the skew angle is selected to be
5 greater than the taper angle of the conical collet receiver contact surface.

As further explanation, the contact stress distribution may be optimized by selection of the skew angle and radius of the cylindrical surface on collet segments that contact the collet receiver in accordance with the following principles:

- For an internal collet:

- 10 ○ decreasing the skew angle or radius will bias the contact condition between collet segments and collet receiver in the direction away from center contact and toward edge contact; and
- increasing the skew angle or radius will bias the contact conditions between collet segments and collet receiver in the direction away from
15 edge contact and toward center contact.

- For an external collet:

- decreasing the skew angle or radius will bias the contact condition between collet segments and collet receiver in the direction away from
 edge contact and toward center contact; and
- 20 ○ increasing the skew angle or radius will bias the contact conditions between collet segments and collet receiver in the direction away from
 center contact and toward edge contact.

It will be apparent to persons skilled in the art that when the skew angle of the cylindrical surface of each collet segment is selected to equal the taper angle of the
25 conical contact surface of the collet receiver, match contact will occur at the axial location where the radius of the collet receiver equals the radius selected for the contacting cylindrical surface of the collet segment (for example, at the smallest cone radius for an external collet mechanism, and at the largest cone radius for an internal collet mechanism), independent of the workpiece size.

Using an internal collet as an example for purposes of further explanation, when the skew angle is selected to be less than the taper angle, contact between a collet segment and the collet receiver will tend in the direction toward edge contact. However, unlike the edge contact occurring in prior art internal collets that have conical contact surfaces on the collet segments and on the collet receiver, the degree of bias toward edge contact is independent of the workpiece size, and is controlled by the selection of the skew angle and radius of the cylindrical surface of the collet segment that contacts the collet receiver.

When the skew angle is selected to be greater than the taper angle, contact between a collet segment and the collet receiver will tend toward center contact. However, unlike the center contact occurring in prior art collets that have conical contact surfaces on both the segmented collet and the collet receiver, the degree of bias toward center contact is independent of the workpiece size and is controlled by the selection of the skew angle and radius of the cylindrical surface of the collet segment that contacts the collet receiver.

Collet-type mechanisms in accordance with the present disclosure may thus be designed such that the contact stress distribution between the segmented collet and the collet receiver is less dependent upon variations in workpiece size compared to otherwise-similar prior art collet mechanisms that have conical contact surfaces on the collet segments as well as on the collet receiver. Because the cylindrical surfaces of the collet segments have a constant radius along their length, and the conical collet receiver contact surface has a varying radius along its length, the contact condition varies along the axial length of the collet while also being independent of workpiece size. Thus, the collet segments can be designed to have greater stability when transferring torque between the collet mechanism and the workpiece for workpiece sizes that would otherwise result in a center contact condition with prior art collet mechanisms.

This increased stability results from the provision of a larger contact width in the transverse direction. The same collet segments also can provide lower contact stress for workpiece sizes that would otherwise result in an edge contact condition with prior art

collets. This lower contact stress results from the reduction and/or elimination of edge contact and provision of a larger contact area. There is also an associated increase in center contact, which provides gradually converging contact surfaces that can enhance lubrication for collet-type mechanisms that permit relative rotation (such as, for example, in tubular running tools of the type described in US 7,909,120).

In general terms, therefore, the present disclosure teaches a collet-type mechanism comprising a collet receiver defining a collet receiver contact surface configured as a curved lateral surface of a truncated right circular cone, and a segmented collet assembly comprising a plurality of collet segments. Each collet segment defines:

- a workpiece engagement surface configured for engagement with a workpiece to be gripped by the collet-type mechanism; and
- a collet segment contact surface configured for at least partial contacting engagement with the collet receiver contact surface, wherein the curvature of said collet segment contact surface, as viewed in section transversely perpendicular to a longitudinal axis of the collet mechanism, is invariant along at least part of the axial length of the collet segment.

In some embodiments, each collet segment contact surface is at least partly configured as a portion of a curved lateral surface of a circular cylinder, which may be either an oblique circular cylinder or a right circular cylinder.

In other embodiments, each collet segment contact surface comprises axially-contiguous first and second surface regions, with the first surface region being at least partly configured as a portion of a curved lateral surface of either an oblique circular cylinder or a right circular cylinder; and with the second surface region being at least partly configured as a portion of a curved lateral surface of a truncated right circular cone.

Collet-type mechanisms in accordance with the present disclosure may be configured as “internal” collet mechanisms for gripping an internal cylindrical surface of a workpiece, or as “external” collet mechanisms for gripping an external cylindrical

surface of a workpiece. Accordingly, collet-type mechanisms in accordance with the present disclosure can be incorporated in an internally-gripping tubular running tools such as:

- an internally-gripping tubular running tool comprising:
 - 5 ○ an elongate mandrel defining an outer mandrel surface configured to define a plurality of mandrel contact surfaces corresponding to curved surfaces of a truncated circular cone (such that the mandrel effectively acts as a collet receiver in accordance with the present teachings); and
 - a plurality of slips elements each having:
 - 10 • an outer workpiece engagement surface configured for gripping engagement with an internal surface of a tubular workpiece; and
 - a plurality of inner surface regions each configured for contacting engagement with a corresponding one of the mandrel contact surfaces, with at least part of each inner surface region being configured to correspond to a curved surface of a circular cylinder, which may be either an oblique circular cylinder or a right circular cylinder (such that the slips effectively act as a collet segments in accordance with the present teachings).

and:

- 20 • an externally-gripping tubular running tool comprising:
 - an elongate, generally cylindrical mandrel having in inner bore defining a plurality of mandrel contact surfaces configured to correspond to curved surfaces of a truncated circular cone (such that the mandrel effectively acts as a collet receiver in accordance with the present teachings); and
 - 25 ○ a plurality of slips assemblies each including a die and a jaw, wherein:
 - each die defines an inner workpiece engagement surface configured for gripping engagement with an external surface of a tubular workpiece; and

- each jaw defines an outer contact surface region configured for contacting engagement with a corresponding one of the mandrel contact surfaces, with at least part of each outer surface region being configured to correspond to a curved surface of a circular cylinder, which may be either an oblique circular cylinder or a right circular cylinder (such that the slips effectively act as a collet segments in accordance with the present teachings).

BRIEF DESCRIPTION OF THE DRAWINGS

Embodiments in accordance with this disclosure will now be described with reference to the accompanying Figures, in which numerical references denote like parts, and in which:

FIGURE 1A is a detail view of a transverse section through an external collet comprising a collet receiver and a segmented collet, illustrating a “match contact” condition between the collet receiver and one segment of the segmented collet.

FIGURE 1B is a detail view of a transverse section through an external collet similar to FIG. 1A, but illustrating a “center contact” condition between the collet receiver and the collet segment.

FIGURE 1C is a detail view of a transverse section through an external collet similar to FIG. 1A, but illustrating an “edge contact” condition between the collet receiver and the collet segment.

FIGURE 2A is a detail view of a transverse section through an internal collet comprising a collet receiver and a segmented collet, illustrating a “match contact” condition between the collet receiver and one segment of the segmented collet.

FIGURE 2B is a detail view of a transverse section through an internal collet similar to FIG. 2A, but illustrating a “center contact” condition between the collet receiver and the collet segment.

5 **FIGURE 2C** is a detail view of a transverse section through an internal collet similar to FIG. 2A, but illustrating an “edge contact” condition between the collet receiver and the collet segment.

10 **FIGURE 3A** is a longitudinal section through a first embodiment of an external collet in accordance with the present disclosure, showing the external collet engaging a workpiece having the maximum external diameter that the external collet is designed to grip.

FIGURE 3B is an isometric view of the collet and workpiece in FIG. 3A.

FIGURE 4A is a longitudinal section through the external collet in FIG. 3A, showing the collet engaging a workpiece having the minimum external diameter that the external collet is designed to grip.

15 **FIGURE 4B** is an isometric view of the external collet and workpiece in FIG. 4A.

FIGURE 5A is an isometric view of a collet segment of the external collet shown in FIG. 3A.

20 **FIGURE 5B** is a longitudinal elevation of the collet segment shown in FIG. 5A.

FIGURE 6A is a longitudinal section through a first embodiment of an internal collet in accordance with the present disclosure, showing the internal collet engaging a workpiece having the minimum internal diameter that the internal collet is designed to grip.

25 **FIGURE 6B** is an isometric view of the internal collet and workpiece in FIG. 6A.

FIGURE 7A is a longitudinal section through the internal collet in FIG. 6A, showing the collet engaging a workpiece having the maximum internal diameter that the internal collet is designed to grip.

5 **FIGURE 7B** is an isometric view of the internal collet and workpiece in FIG. 7A.

FIGURE 8A is an isometric view of a collet segment of the internal collet shown in FIG. 6A.

FIGURE 8B is a longitudinal section view of the collet segment of FIG. 8A.

10 **FIGURES 9A and 9B** are, respectively, an isometric partial section and a longitudinal section through an internally-gripping tubular running tool generally as illustrated in Figures 8 and 9 in International Publication No. WO 2010/006441 (the contents of which are incorporated herein in their entirety, in jurisdictions so permitting), modified to incorporate features in accordance with the present disclosure, shown with the gripping assembly of
15 the tubular running tool positioned within the bore of a tubular workpiece prior to initiation of internal gripping engagement therewith.

FIGURE 10 is an isometric free-body view of one of the integrated slips of the tubular running tool shown in FIGS. 9A and 9B, incorporating features in accordance with the present disclosure.

20 **FIGURES 11A and 11B** are, respectively, a perspective view and a longitudinal section through an externally-gripping tubular running tool generally as disclosed in US 7,909,120 and US 10,081,989 (the contents of both of which are incorporated herein in their entirety, in jurisdictions so permitting), modified to incorporate features in accordance with the present
25 disclosure, with the gripping assembly of the tubular running tool disposed around an upper external surface of a tubular workpiece prior to initiation of external gripping engagement therewith.

FIGURE 12 is an isometric free-body view of one of the integrated slips of the tubular running tool shown in FIGS. 11A and 11B, incorporating features in accordance with the present disclosure.

DETAILED DESCRIPTION

5 *Collet Contact Geometries and Contact Stresses – Overview*

The contact geometry and contact stresses between collet segments and a collet receiver may be theoretically predicted using analytical equations for contact mechanics found in published texts such as:

- 10 • Budynas, Richard G. and Nisbett, J. Keith, *Shigley's Mechanical Engineering Design*, 10th ed. (New York: McGraw-Hill Education, 2014); and
- Boresi, Arthur P. and Sidebottom, Omar M., *Advanced Mechanics of Materials*, 4th ed. (New York: John Wiley & Sons, 1985).

Finite element analysis software tools may also be used to predict the contact geometry and contact stresses, and may provide more accurate predictions than analytical equations
15 for some collet-type mechanisms.

FIG. 1A is a transverse section through an external collet mechanism **100** comprising a collet receiver **110** having an inside surface **111**, and a segmented collet comprising a plurality of collet segments **120**, each having an outside surface **121**. FIG. 1A illustrates a match contact condition between the collet receiver **110** and one of the
20 collet segments **120**. In a match contact condition for an external collet as in FIG. 1A, the outside surface **121** of collet segment **120** has the same radius of curvature as the inside surface **111** of collet receiver **110**.

FIG. 1B is similar to FIG. 1A but that it illustrates a center contact condition between collet receiver **110** and collet segment **120**. In a center contact condition for an
25 external collet as in FIG. 1B, outside surface **121** of collet segment **120** has a smaller radius of curvature than inside surface **111** of collet receiver **110**.

FIG. 1C is similar to FIG. 1A but illustrates an edge contact condition between collet receiver **110** and collet segment **120**. In an edge contact condition for an external collet as in FIG. 1C, outside surface **121** of collet segment **120** has a larger radius of curvature than inside surface **111** of collet receiver **110**.

5 FIG. 2A is a transverse section through an internal collet mechanism **200** comprising a collet receiver **210** having an inside surface **211**, and a segmented collet comprising a plurality of collet segments **220**, each having an outside surface **221**. FIG. 1A illustrates a match contact condition between the collet receiver **210** and one of the collet segments **220**. In a match contact condition for an internal collet as in FIG. 2A, the
10 inside surface **221** of collet segment **220** has the same radius of curvature as the outside surface **211** of collet receiver **210**.

FIG. 2B is similar to FIG. 2A but illustrates a center contact condition between collet receiver **210** and collet segment **220**. In a center contact condition for an internal collet as in FIG. 2B, inside surface **221** of collet segment **220** has a larger radius of
15 curvature than outside surface **211** of collet receiver **210**.

FIG. 2C is similar to FIG. 2A but illustrates an edge contact condition between collet receiver **210** and collet segment **220**. In an edge contact condition for an internal collet as in FIG. 2C, inside surface **221** of collet segment **220** has a smaller radius of
curvature than outside surface **211** of collet receiver **210**.

20 ***Embodiment #1 – External Collet Mechanism***

FIGS. 3A and 4A are longitudinal sections through an embodiment **1000** of an external collet mechanism in accordance with the present disclosure. External collet **1000** has a longitudinal axis **1050**, and comprises a collet receiver **1100** and a segmented
25 collet comprising a plurality of collet segments **1200**. Collet receiver **1100** has a bore defining a collet receiver contact surface **1110** configured as a curved lateral surface of a truncated right circular cone.

Each collet segment **1200** has a radially-external collet segment contact surface **1210** comprising a first surface region **1211** and a second surface region **1212**, with second surface region **1212** being axially contiguous with first surface region **1211**. First and second surface regions **1211** and **1212** are configured for contact with collet receiver contact surface **1110**, as described in greater detail later herein. Each collet segment **1200** further has radially-internal workpiece engagement surface **1220** suitably configured for gripping an outer surface of a tubular workpiece.

In FIG. 3A, external collet **1000** is shown with workpiece engagement surfaces **1220** of collet segments **1200** in gripping engagement with an external surface **1312** of a workpiece **1302** having an external diameter corresponding to the maximum external diameter that collet **1000** is designed to grip. For purposes of this disclosure, the position in which collet segments **1200** are shown in FIG. 3A – i.e., in which the axial length of the contact region between collet segment contact surfaces **1210** and collet receiver contact surface **1110** is greatest – is referred to as the retracted position.

FIG. 3B is an isometric view of external collet **1000** grippingly engaging workpiece **1302** as in FIG. 3A.

In FIG. 4A, external collet **1000** is shown with workpiece engagement surfaces **1220** of collet segments **1200** in gripping engagement with an external surface **1311** of a workpiece **1301** having an external diameter corresponding to the minimum external diameter that collet **1000** is designed to grip. For purposes of this disclosure, the position in which collet segments **1200** are shown in FIG. 4A – i.e., in which the axial length of the contact region between collet segment contact surfaces **1210** and collet receiver contact surface **1110** is least – is referred to as the extended position.

FIG. 4B is an isometric view of external collet **1000** grippingly engaging workpiece **1301** as in FIG. 4A.

FIGS. 5A and 5B further illustrate a typical collet segment **1200** of external collet **1000**. As previously noted, each collet segment **1200** has a collet segment contact surface **1210** comprising first and second surface regions **1211** and **1212**. First surface

region **1211** has an axial length **L_{oc}** and is configured as a portion of a curved lateral surface of an OCC. Second surface region **1212** has an axial length **L_c** and is configured as a portion of a curved lateral surface of a truncated right circular cone.

5 The axial length **L_c** and radii **R_{c1}** and **R_{c2}** of second surface region **1212** may be selected such that the configuration of second surface region **1212** matches the configuration of collet receiver contact surface **1110** when collet segments **1200** are in their extended position. Thus selected, the taper angle of second surface region **1212** will be equal to the taper angle of collet receiver contact surface **1110**.

10 Radius **R_{oc}** of first surface region **1211** may be equal to radius **R_{c1}** of second surface region **1212**. The skew angle of the OCC that is used to define first surface region **1211** may be selected to be equal to the taper angle of the truncated right circular cone that is used to define collet receiver contact surface **1110**.

Embodiment #2 – Internal Collet Mechanism

15 FIGS. 6A and 7A are longitudinal sections through an embodiment **2000** of an internal collet mechanism constructed in accordance with the present disclosure. Internal collet **2000** has a longitudinal axis **2050**, and comprises a collet receiver **2100** and a segmented collet comprising a plurality of collet segments **2200**. Collet receiver **2100** has an outer surface defining a collet receiver contact surface **2110** configured as a curved lateral surface of a truncated right circular cone.

20 Each collet segment **2200** has a radially-internal collet segment contact surface **2210** comprising a first surface region **2211** and a second surface region **2212**, with second surface region **2212** being axially contiguous with first surface region **2211**. First and second surface regions **2211** and **2212** are configured for contact with collet receiver contact surface **2110**, as described in greater detail later herein. Each collet segment
25 **2200** further has a radially-external workpiece engagement surface **2220** suitably configured for gripping an inner surface of a tubular workpiece.

In FIG. 6A, internal collet **2000** is shown with workpiece engagement surfaces **2220** of collet segments **2200** in gripping engagement with an internal surface **2321** of a

workpiece **2301** having an internal diameter corresponding to the minimum internal diameter that collet **2000** is designed to grip. For purposes of this disclosure, the position in which collet segments **2200** are shown in FIG. 6A – i.e., in which the axial length of the contact region between collet segment contact surfaces **2210** and collet receiver contact surface **2110** is greatest – is referred to as the retracted position.

FIG. 6B is an isometric view of internal collet **2000** shown grippingly engaging workpiece **2301** as in FIG. 6A.

In FIG. 7A, internal collet **2000** is shown with workpiece engagement surfaces **2220** of collet segments **2200** in grippingly engagement with an internal surface **2322** of a workpiece **2302** having the maximum internal diameter that collet **2000** is designed to grip. For purposes of this disclosure, the position in which collet segments **2200** are shown in FIG. 7A – i.e., in which the axial length of the contact region between collet segment contact surfaces **2210** and collet receiver contact surface **2110** is least – is referred to as the extended position.

FIG. 7B is an isometric view of internal collet **2000** shown grippingly engaging workpiece **2302**.

FIGS. 8A and 8B further illustrated a typical collet segment **2200** of internal collet **2000**. As previously noted, each collet segment **2200** has a collet segment contact surface **2210** comprising first and second surface regions **2211** and **2212**. First surface region **2211** has an axial length L_{oc} and is configured as a portion of an OCC. Second surface region **2212** is configured as a portion of a curved lateral surface of a truncated right circular cone.

The axial length L_c and radii R_{c1} and R_{c2} of second surface region **2212** may be selected such that the configuration of second surface region **2212** matches the configuration of collet receiver contact surface **2110** when collet segments **2200** are in their extended position. Thus selected, the taper angle of second surface region **2212** will be equal to the taper angle of collet receiver contact surface **2110**.

Radius R_{oc} of first surface region **2211** may be equal to radius R_{c1} of second surface region **2212**. The skew angle of the OCC that is used to define first surface region **2211** may be selected to be equal to the taper angle of the truncated right circular cone that is used to define collet receiver contact surface **2110**.

5 ***Embodiment #3 – Internally-Gripping Casing Running Tool***

FIGS. 9A and 9B depict an internally-gripping casing running tool (or “CRT”) **3000** similar to the prior art tubular running tool illustrated in Figures 8 and 9 in WO 2010/006441, but incorporating an internal collet-type mechanism in accordance with the present disclosure to grip a tubular casing workpiece **3300** having an inner surface **3310** and an outer surface **3320**.

CRT **3000** incorporates a mandrel **3100** that acts as a collet receiver analogous to collet receiver **2100** of internal collet mechanism **2000** herein. The configuration of the outer surface **3110** of mandrel **3100** includes a plurality of truncated right circular cones.

CRT **3000** further incorporates integrated slips **3200** (alternatively referred to herein as slips elements) acting as collet segments. Integrated slips **3200** have an outer surface **3220** suitably configured to grip inner surface **3310** of casing **3300**. As shown in FIGS. 9B and 10, integrated slips **3200** have a plurality of inner surface regions **3210** that contact outer surface **3110** of mandrel **3100**. Inner surface regions **3210** are configured as OCC surfaces. The skew angle of the OCC surfaces that are used to define inner surface regions **3210** of integrated slips **3200** may be selected to equal the taper angle of the truncated right circular cones that are used to define outer surface **3110** of mandrel **3100**.

Embodiment #4 – Externally-Gripping Casing Running Tool

FIGS. 11A and 11B depict an externally-gripping CRT **4000** similar to prior art tubular running tools disclosed in US 7,909,120 and US 10,081,989, but incorporating an external collet-type mechanism in accordance with the present disclosure to grip a tubular casing workpiece **4300** having an inner surface **4310** and an outer surface **4320**.

CRT **4000** incorporates a mandrel **4100** that acts as a collet receiver analogous to collet receiver **1100** of external collet mechanism **1000** herein. Mandrel **4100** has an inner surface **4110** configured to define a plurality of truncated right circular cones.

5 CRT **4000** further incorporates slips assembly **4200** acting as collet segments, with each slips assembly **4200** including a jaw **4201** and a die **4202**. An inner surface **4220** on each die **4202** of slips **4200** is suitably configured to grip outer surface **4320** of casing **4300**. As shown in FIGS. 11B and 12, slips **4200** have a plurality of outer surface regions **4210** on jaws **4201** that contact inner surface **4110** of mandrel **4100**. Outer surface regions **4210** are configured as OCC surfaces. The skew angle of the OCC
10 surfaces that are used to define outer surface regions **4210** of slips **4200** may be selected to equal the taper angle of the truncated right circular cones that are used to define inner surface **4110** of mandrel **4100**.

It will be readily appreciated by those skilled in the art that various modifications to embodiments in accordance with this disclosure may be devised without departing
15 from the scope of the present teachings, such as but not limited to modifications which may use equivalent materials hereafter conceived or developed, a segmented collet with a different number of collet segments, or collets configured to engage with workpieces of different size or configuration. It is to be especially understood that the scope of this disclosure is not intended to be limited to described or illustrated embodiments, and that
20 the substitution of a variant of a claimed or illustrated element or feature, without any substantial resultant change in functionality, will not constitute a departure from the scope of this disclosure.

In this patent document, any form of the word "comprise" is to be understood in its non-limiting sense to mean that any element or feature following such word is
25 included, but elements or features not specifically mentioned are not excluded. A reference to an element or feature by the indefinite article "a" does not exclude the possibility that more than one such element or feature is present, unless the context clearly requires that there be one and only one such element or feature. Any use of any form of the terms "connect", "engage", "couple", "attach", or any other term describing

an interaction between elements is not meant to limit the interaction to direct interaction between the subject elements, and may also include indirect interaction between the elements such as through secondary or intermediary structure.

5 Relational and conformational terms such as “perpendicular”, “parallel”, “cylindrical”, and “equal” are not intended to denote or require absolute mathematical or geometrical precision. Accordingly, such terms are to be understood as denoting or requiring substantial precision only (e.g., “substantially perpendicular”) unless the context clearly requires otherwise. Wherever used in this document, the terms “typical” and “typically” are to be interpreted in the sense of representative of common usage or
10 practice, and are not to be understood as implying essentiality or invariability.

LIST OF ILLUSTRATED ELEMENTS

Element Number	Description
100	external collet-type mechanism
15 110	collet receiver
111	surface of collet receiver that contacts the segmented collet (“collet receiver contact surface”)
120	collet segment
20 121	surface of collet segment that contacts the collet receiver (“collet segment contact surface”)
200	internal collet-type mechanism
210	collet receiver
211	surface of collet receiver that contacts the segmented collet (“collet receiver contact surface”)
25 220	collet segment
221	surface of collet segment that contacts the collet receiver (“collet segment contact surface”)

	1000	external collet-type mechanism
	1050	longitudinal axis of external collet-type mechanism
	1100	collet receiver
5	1110	surface of collet receiver that contacts the segmented collet (“collet receiver contact surface”)
	1200	collet segment
	1210	surface of collet segment that contacts the collet receiver (“collet segment contact surface”)
	1211	oblique circular cylinder region of surface 1210
10	1212	right circular cone region of surface 1210
	1220	surface of segmented collet that contacts the workpiece (“workpiece engagement surface”)
	1301	workpiece with the minimum outer diameter that collet 1000 is designed to grip
15	1311	external surface of workpiece 1301
	1321	internal surface of workpiece 1301
	1302	workpiece with the maximum outer diameter that collet 1000 is designed to grip
	1312	external surface of workpiece 1302
20	1322	internal surface of workpiece 1302
	2000	internal collet-type mechanism
	2050	longitudinal axis of internal collet-type mechanism
	2100	collet receiver
25	2110	surface of collet receiver that contacts the segmented collet (“collet receiver contact surface”)
	2211	oblique circular cylinder region of surface 2210
	2212	right circular cone region of surface 2210
	2200	collet segment
30	2210	surface of collet segment that contacts the collet receiver (“collet segment contact surface”)

	2220	surface of segmented collet that contacts the workpiece (“workpiece engagement surface”)
	2301	workpiece with the minimum outer diameter that collet 2000 is designed to grip
5	2311	external surface of workpiece 2301
	2321	internal surface of workpiece 2301
	2302	workpiece with the maximum outer diameter that collet 2000 is designed to grip
	2312	external surface of workpiece 2302
10	2322	internal surface of workpiece 2302
	3000	internally-gripping casing running tool
	3100	mandrel
	3110	surface of mandrel that contacts the integrated slips
	3200	integrated slip (“slips element”)
15	3210	surface of integrated slip that contacts the mandrel
	3220	surface of integrated slip that grips casing
	3300	casing
	3310	external surface of casing 3300
	3320	internal surface of casing 3300
20	4000	externally-gripping casing running tool
	4100	mandrel
	4110	surface of mandrel that contacts the slips
	4200	slips assembly
	4201	jaw
25	4202	die
	4210	surface of slips on jaw that contacts the mandrel
	4220	surface of slips on die that grips casing
	4300	casing
	4310	external surface of casing 4300
30	4320	internal surface of casing 4300

EMBODIMENTS IN WHICH AN EXCLUSIVE PROPERTY OR PRIVILEGE IS CLAIMED ARE DEFINED AS FOLLOWS:

1. A collet-type mechanism comprising:

5 (a) a collet receiver defining a collet receiver contact surface configured as a curved lateral surface of a truncated right circular cone; and

(b) a segmented collet assembly comprising a plurality of collet segments, each defining:

• a workpiece engagement surface configured for engagement with a workpiece to be gripped by the collet-type mechanism; and

10 • a collet segment contact surface configured for at least partial contacting engagement with the collet receiver contact surface, wherein the curvature of said collet segment contact surface, as viewed in section transversely perpendicular to a longitudinal axis of the collet mechanism, is invariant along at least part of the axial length of the
15 collet segment.

2. A collet-type mechanism as in Claim 1 wherein each collet segment contact surface is at least partly configured as a portion of a curved lateral surface of a circular cylinder.

20 3. A collet-type mechanism as in Claim 2 wherein each collet segment contact surface is configured as a portion of a curved lateral surface of an oblique circular cylinder.

4. A collet-type mechanism as in Claim 2 wherein each collet segment contact surface is configured as a portion of a curved lateral surface of a right circular cylinder.

5. A collet-type mechanism as in Claim 2 wherein each collet segment contact surface comprises a first surface region and a second surface region, wherein said first and second surface regions are axially contiguous, and wherein:

- 5 (a) the first surface region is at least partly configured as a portion of a curved lateral surface of a circular cylinder; and
- (b) the second surface region is at least partly configured as a portion of a curved lateral surface of a truncated right circular cone.

6. A collet-type mechanism as in Claim 5 wherein the circular cylinder is an oblique circular cylinder.

10 7. A collet-type mechanism as in Claim 5 wherein the circular cylinder is a right circular cylinder.

8. A collet-type mechanism as in any one of Claims 1-7 wherein the collet-type mechanism is configured to grip an internal cylindrical surface of a workpiece.

15 9. A collet-type mechanism as in any one of Claims 1-7 wherein the collet-type mechanism is configured to grip an external cylindrical surface of a workpiece.

10. An internally-gripping tubular running tool comprising:

- (a) an elongate mandrel defining an outer mandrel surface configured to define a plurality of mandrel contact surfaces corresponding to curved surfaces of a truncated circular cone; and

20 (b) a plurality of slips elements each having:

- an outer workpiece engagement surface configured for gripping engagement with an internal surface of a tubular workpiece; and
- a plurality of inner surface regions each configured for contacting engagement with a corresponding one of the mandrel contact surfaces,

25 with at least part of each inner surface region being configured to correspond to a curved surface of a circular cylinder, wherein the

circular cylinder is selected from the group consisting of oblique circular cylinders and right circular cylinders.

11. An externally-gripping tubular running tool comprising:

- 5
- (a) an elongate, generally cylindrical mandrel having in inner bore defining a plurality of mandrel contact surfaces configured to correspond to curved surfaces of a truncated circular cone; and
- (b) a plurality of slips assemblies each including a die and a jaw, wherein:
- 10
- each die defines an inner workpiece engagement surface configured for gripping engagement with an external surface of a tubular workpiece; and
 - each jaw defines an outer contact surface region configured for contacting engagement with a corresponding one of the mandrel contact surfaces, with at least part of each outer surface region being configured to correspond to a curved surface of a circular cylinder, wherein the circular cylinder is selected from the group consisting of
- 15
- oblique circular cylinders and right circular cylinders.

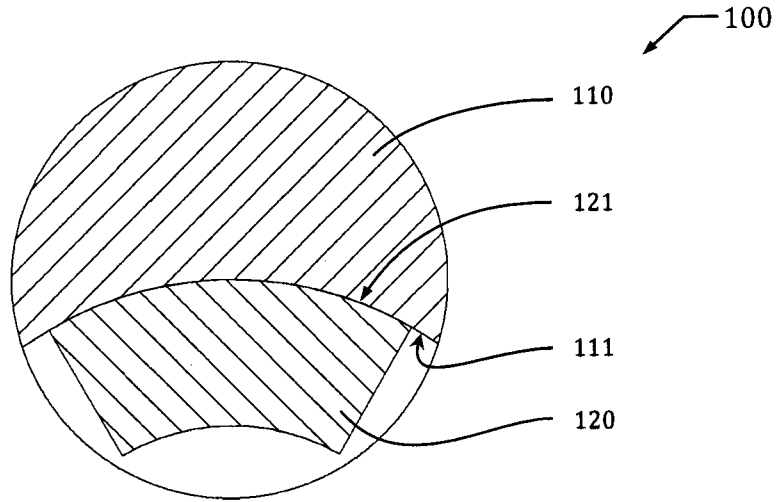


Figure 1A

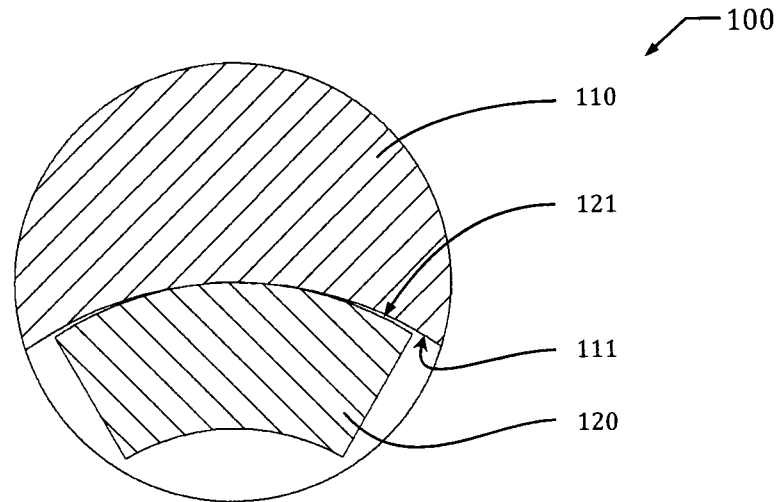


Figure 1B

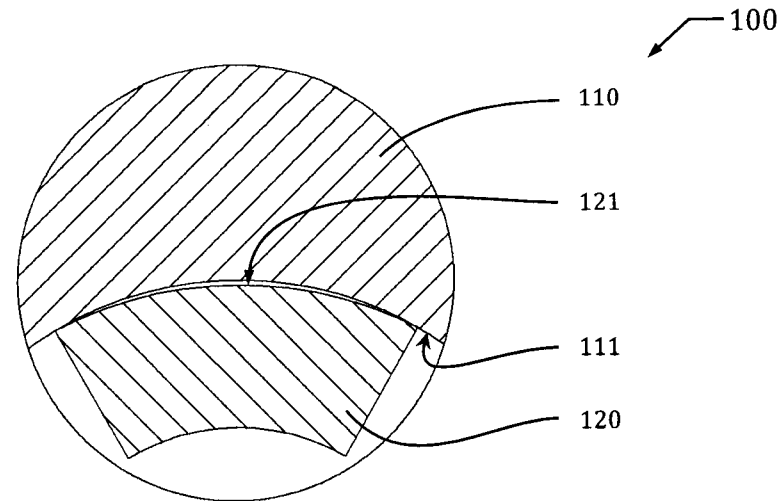


Figure 1C

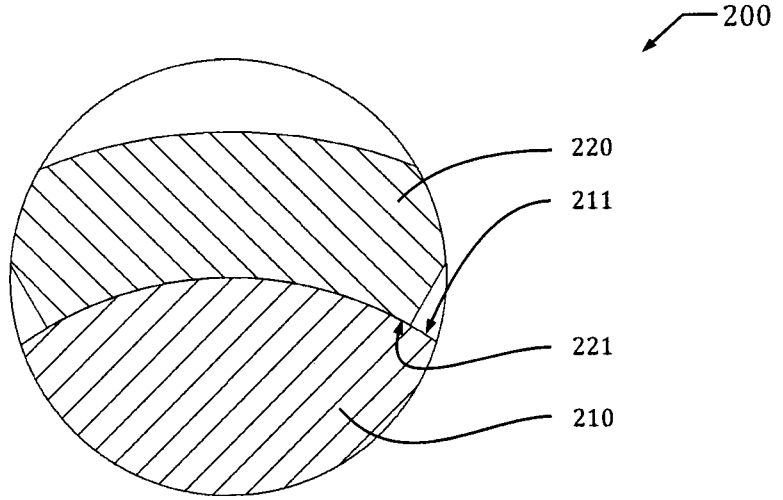


Figure 2A

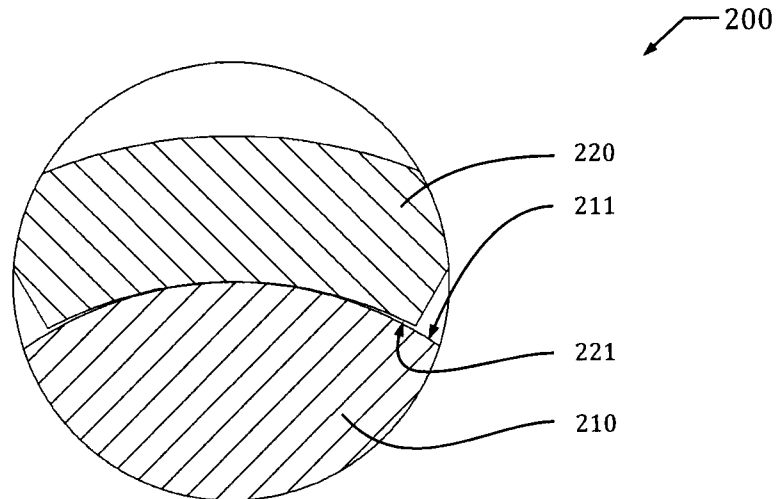


Figure 2B

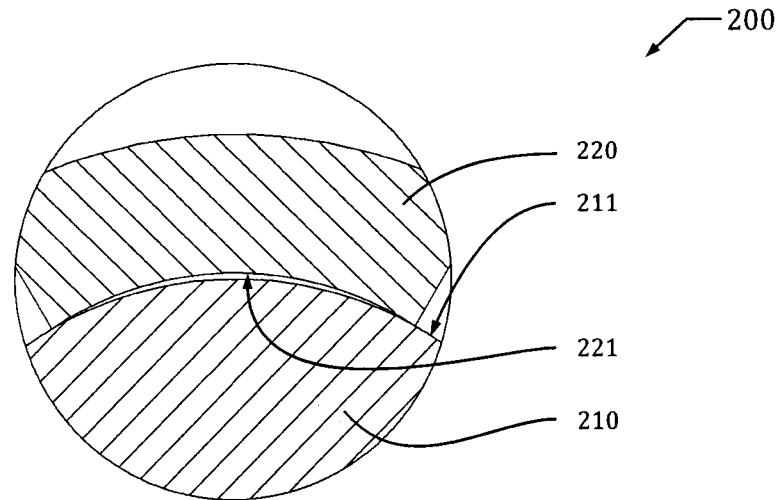


Figure 2C

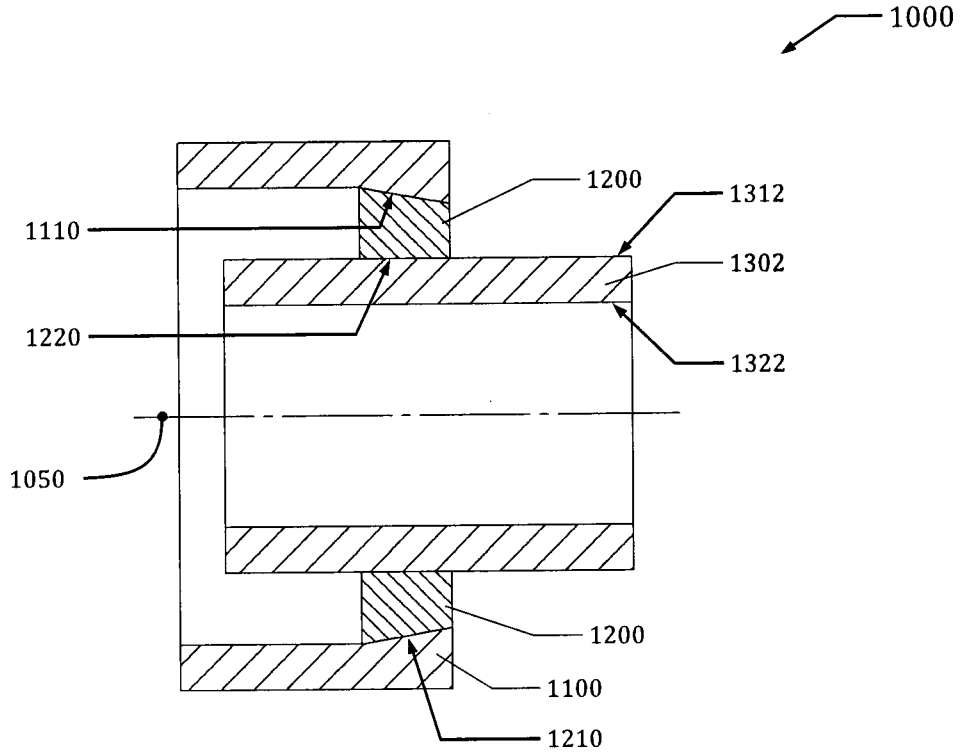


Figure 3A

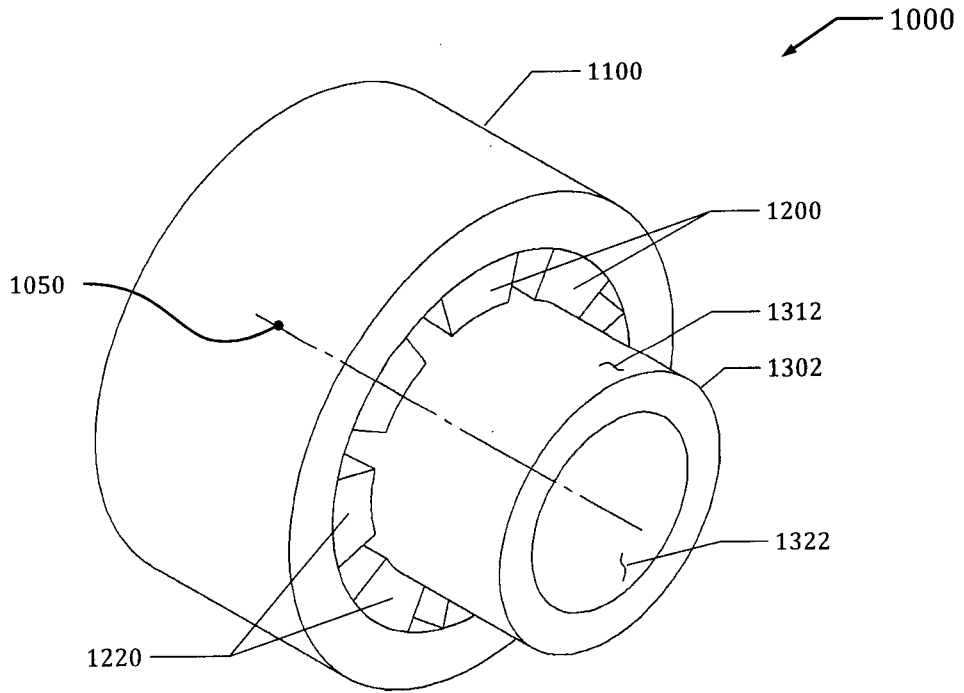


Figure 3B

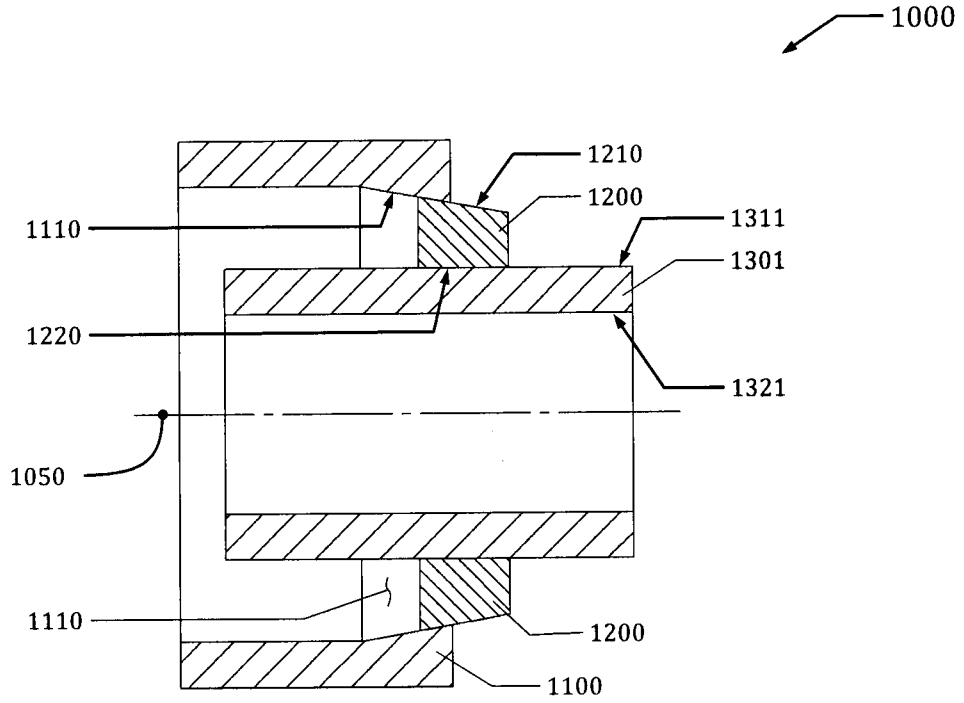


Figure 4A

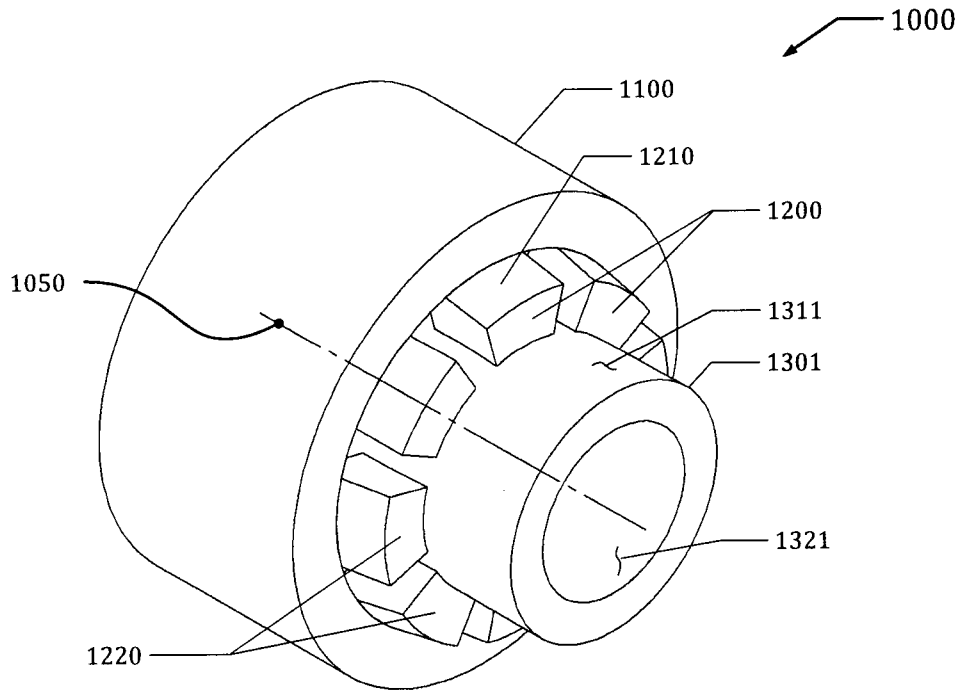


Figure 4B

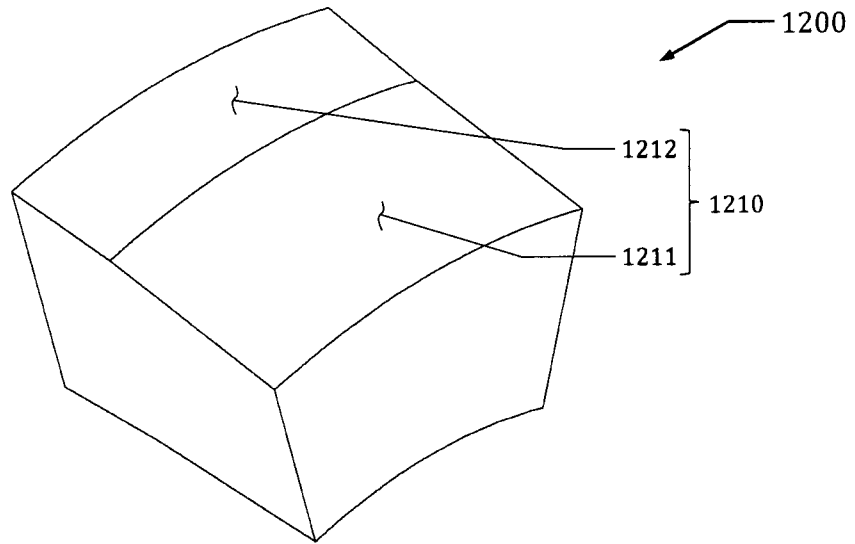


Figure 5A

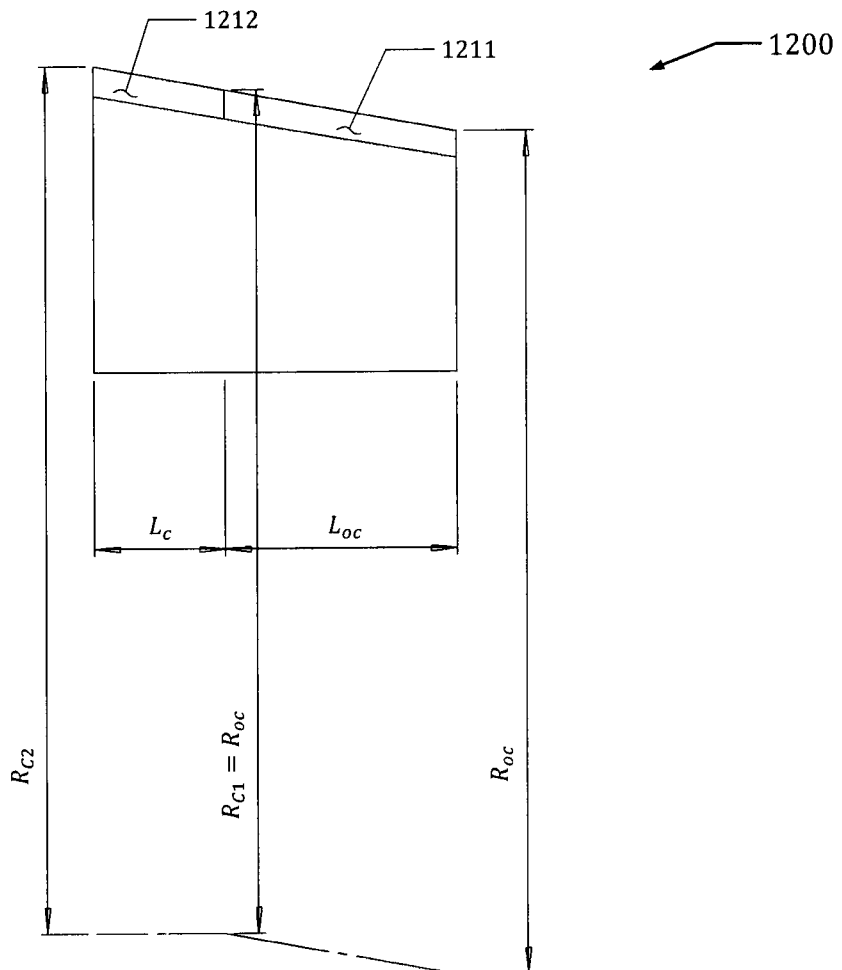


Figure 5B

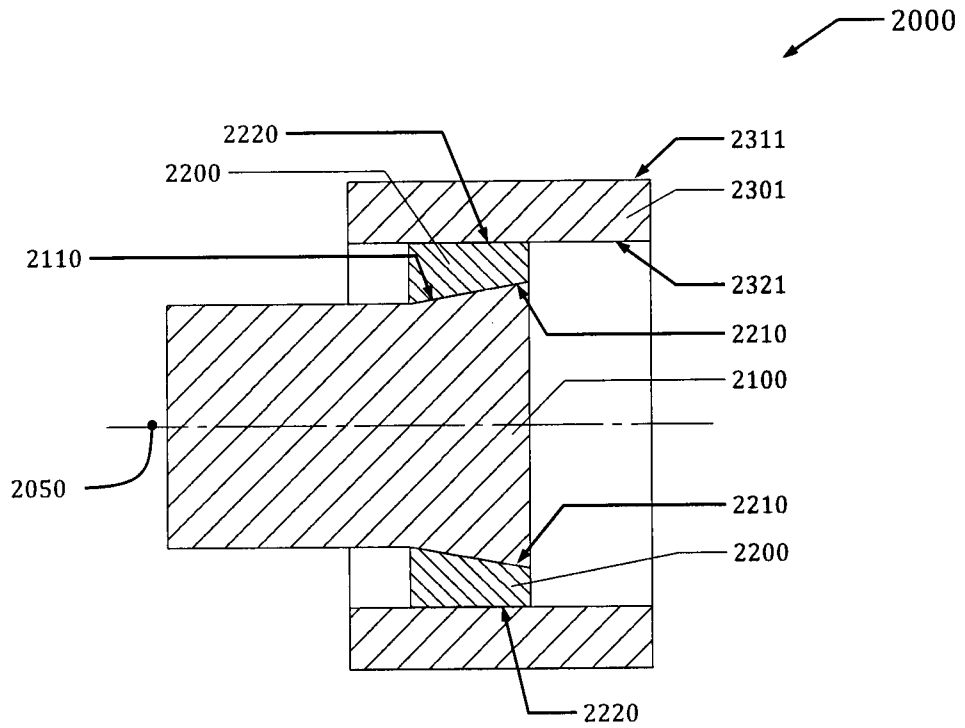


Figure 6A

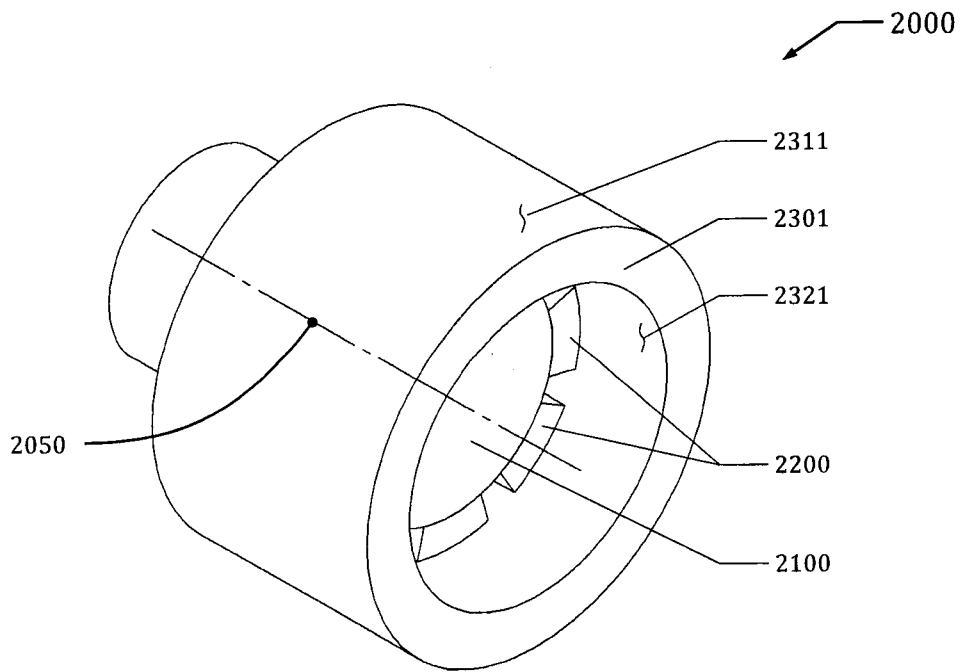


Figure 6B

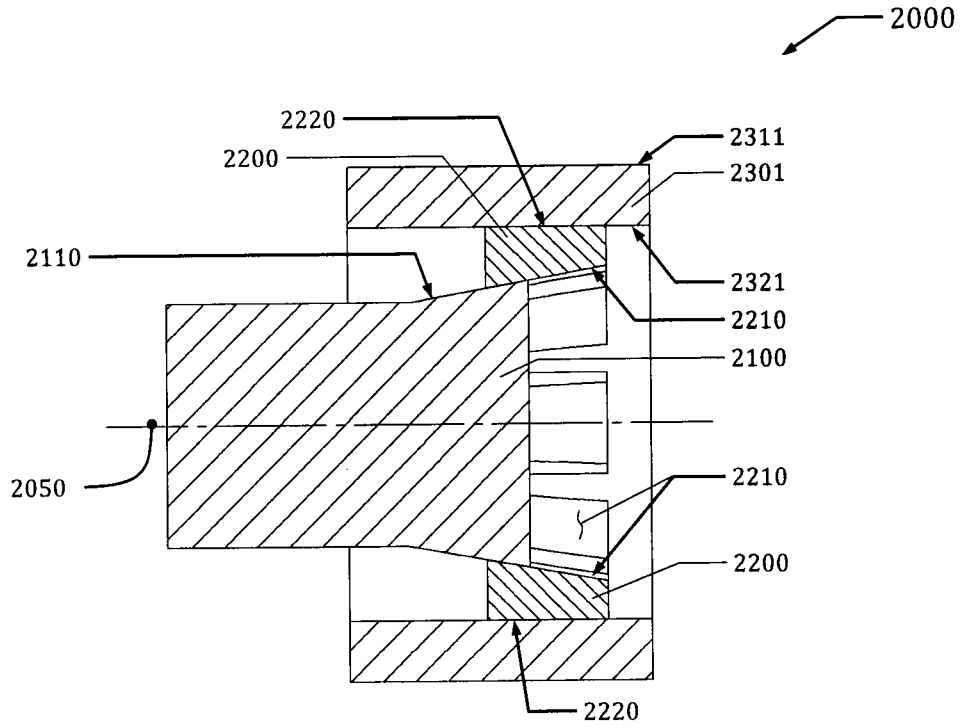


Figure 7A

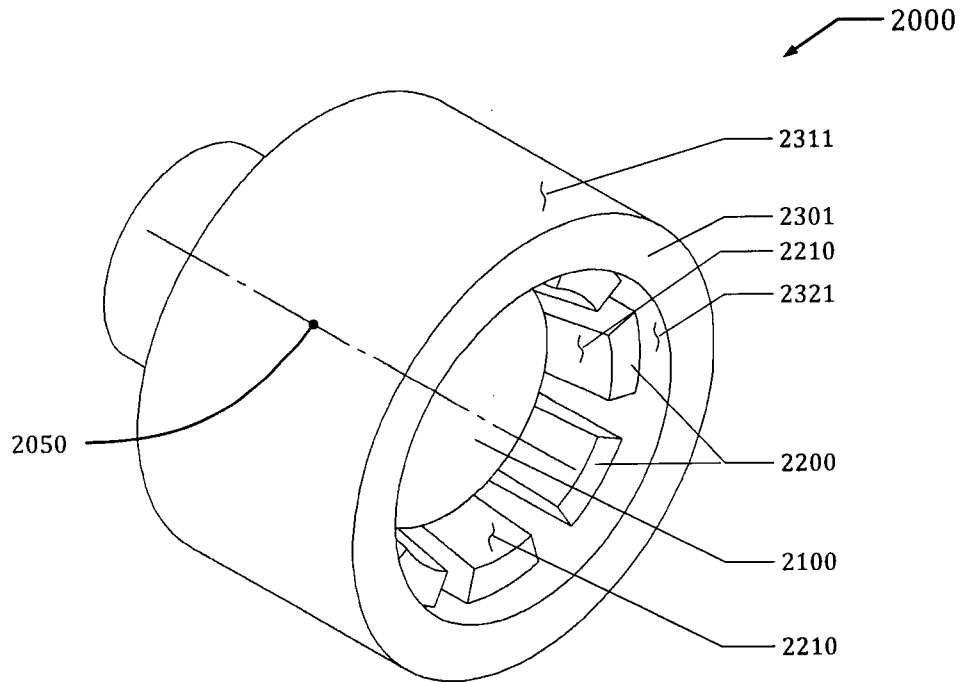


Figure 7B

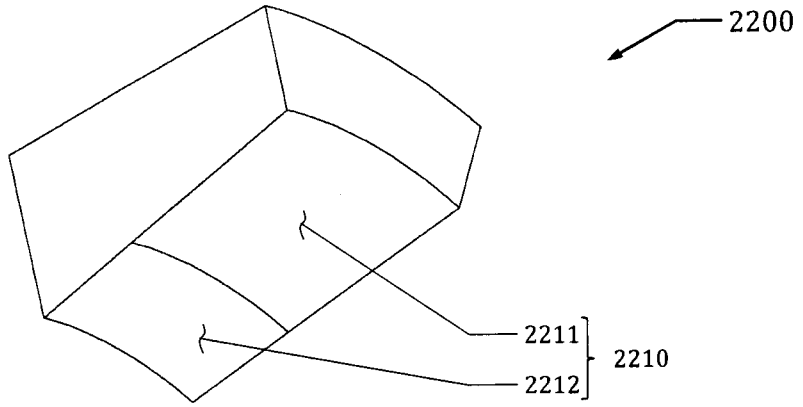


Figure 8A

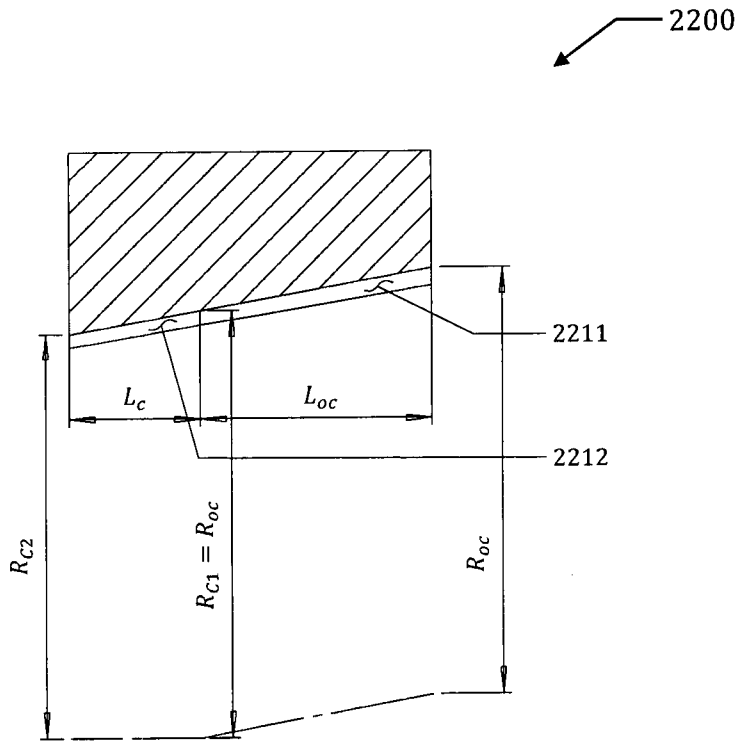


Figure 8B

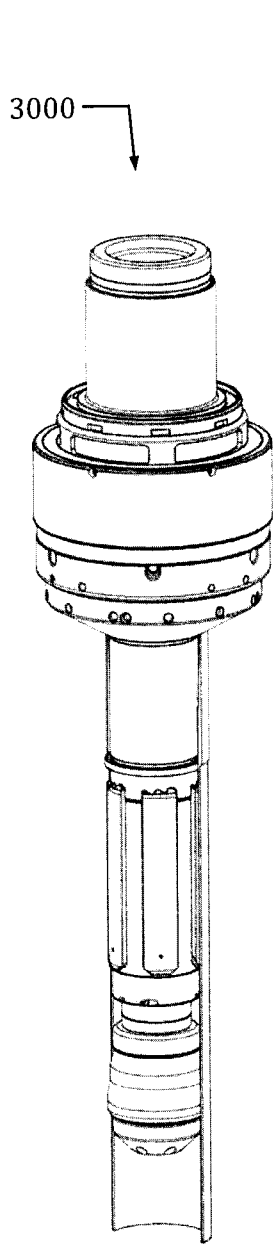


Figure 9A

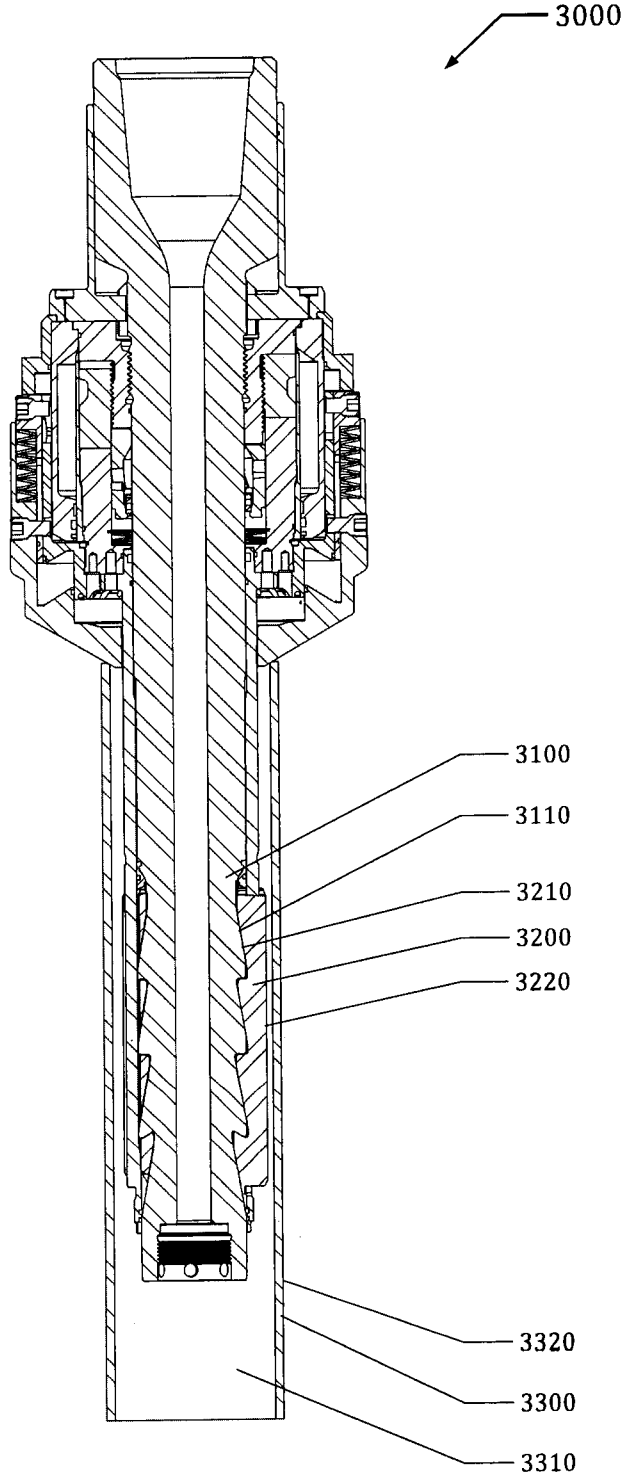


Figure 9B

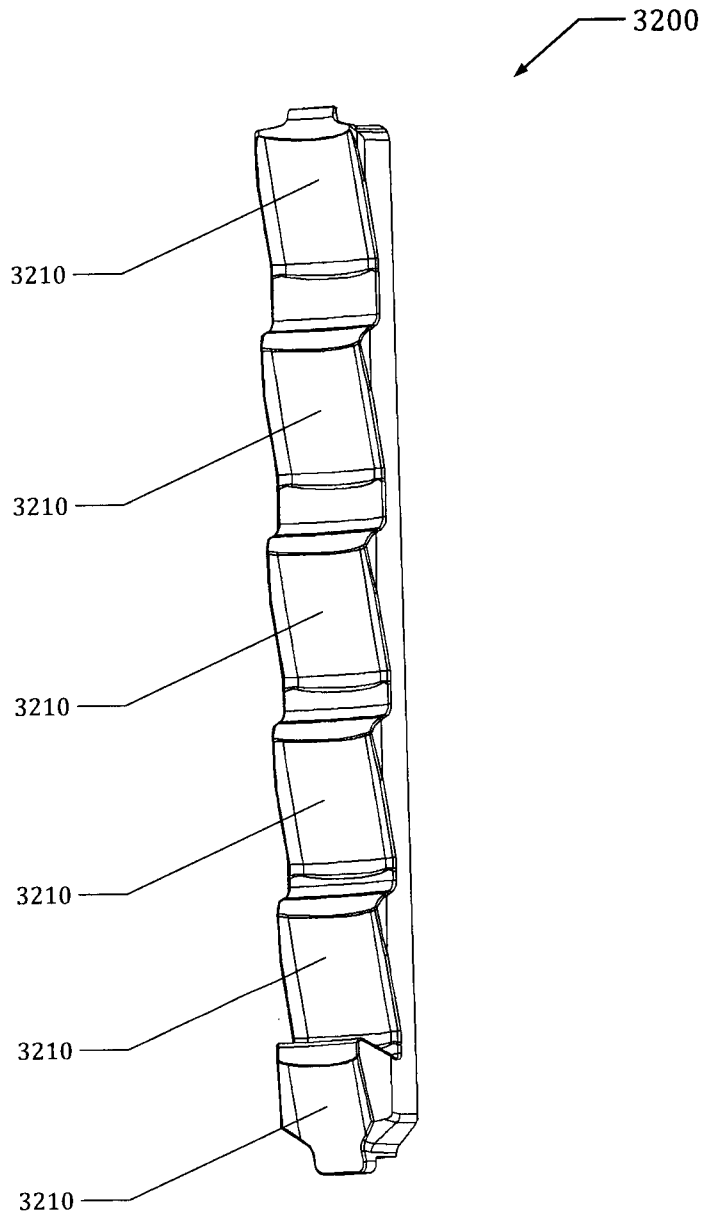


Figure 10

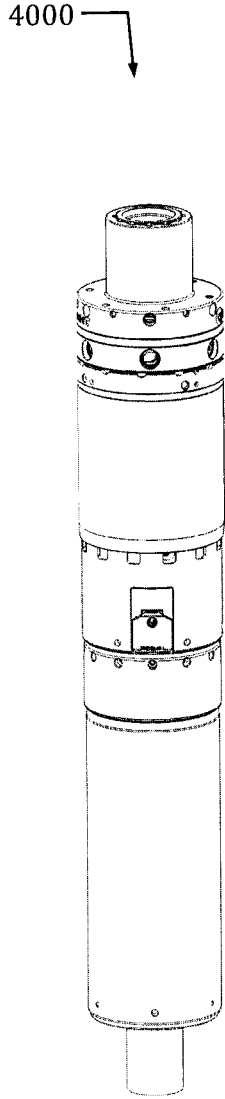


Figure 11A

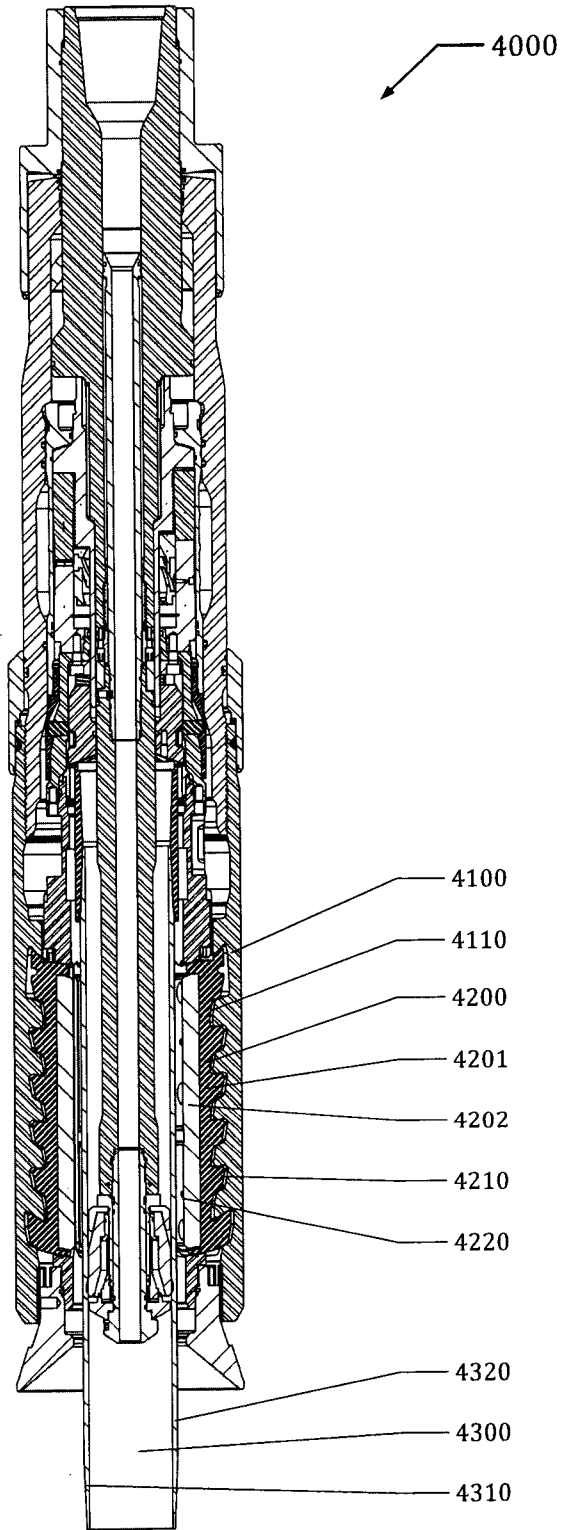


Figure 11B

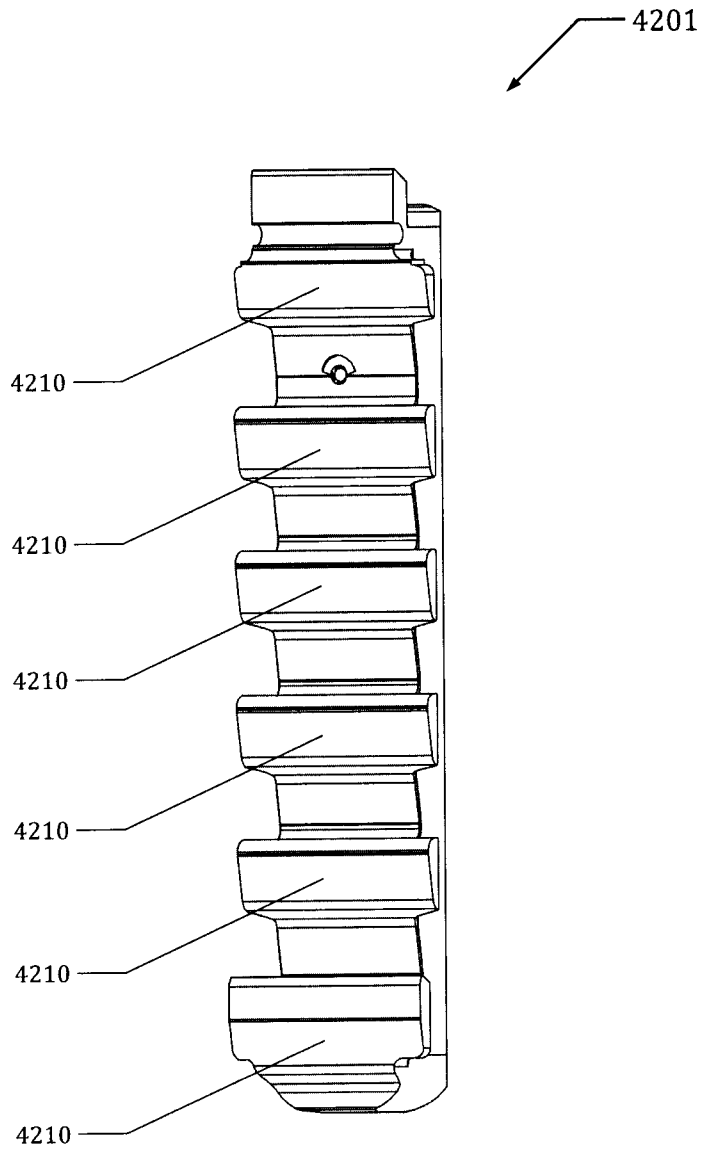


Figure 12

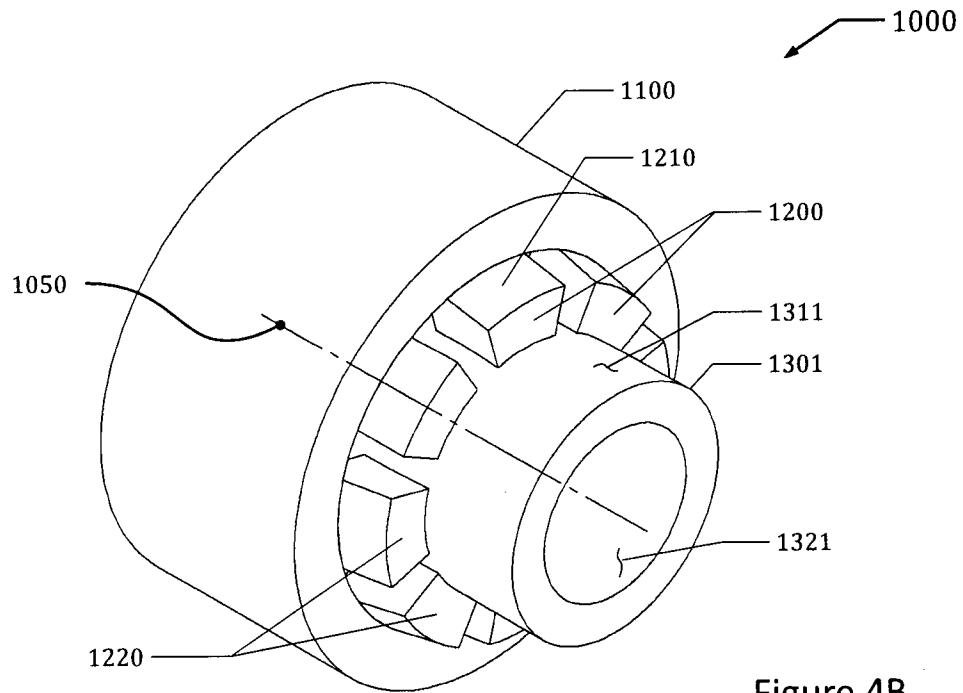


Figure 4B