



US00D623416S

(12) **United States Design Patent**
St. Laurent

(10) **Patent No.:** **US D623,416 S**

(45) **Date of Patent:** **** Sep. 14, 2010**

(54) **DISPOSABLE TOOTH BRUSH**

2004/0016073 A1* 1/2004 Knutson 15/167.1

(76) Inventor: **Jamie St. Laurent**, 277 Webster St.,
Hudson, NH (US) 03051

* cited by examiner

(**) Term: **14 Years**

Primary Examiner—Robin V Webster
Assistant Examiner—Lavone D Tabor
(74) *Attorney, Agent, or Firm*—Paul R. Martin

(21) Appl. No.: **29/348,451**

(57) **CLAIM**

(22) Filed: **Jan. 8, 2010**

The ornamental design for a disposable tooth brush, as shown and described.

(51) **LOC (9) Cl.** **04-02**

(52) **U.S. Cl.** **D4/108**

(58) **Field of Classification Search** D4/104–112,
D4/121, 134, 138; 15/167.1, 167.2; 132/308–311,
132/323; 401/183–186, 278

See application file for complete search history.

DESCRIPTION

FIG. 1 is a perspective view of the disposable tooth brush of this invention.

FIG. 2 is a side elevational view of the disposable tooth brush shown in FIG. 1.

FIG. 3 is a top view of the disposable tooth brush shown in FIG. 1.

FIG. 4 is a bottom view of the disposable tooth brush shown in FIG. 1.

FIG. 5 is a front end view of the disposable tooth brush shown in FIG. 1; and,

FIG. 6 is a rear end view of the disposable tooth brush shown in FIG. 1.

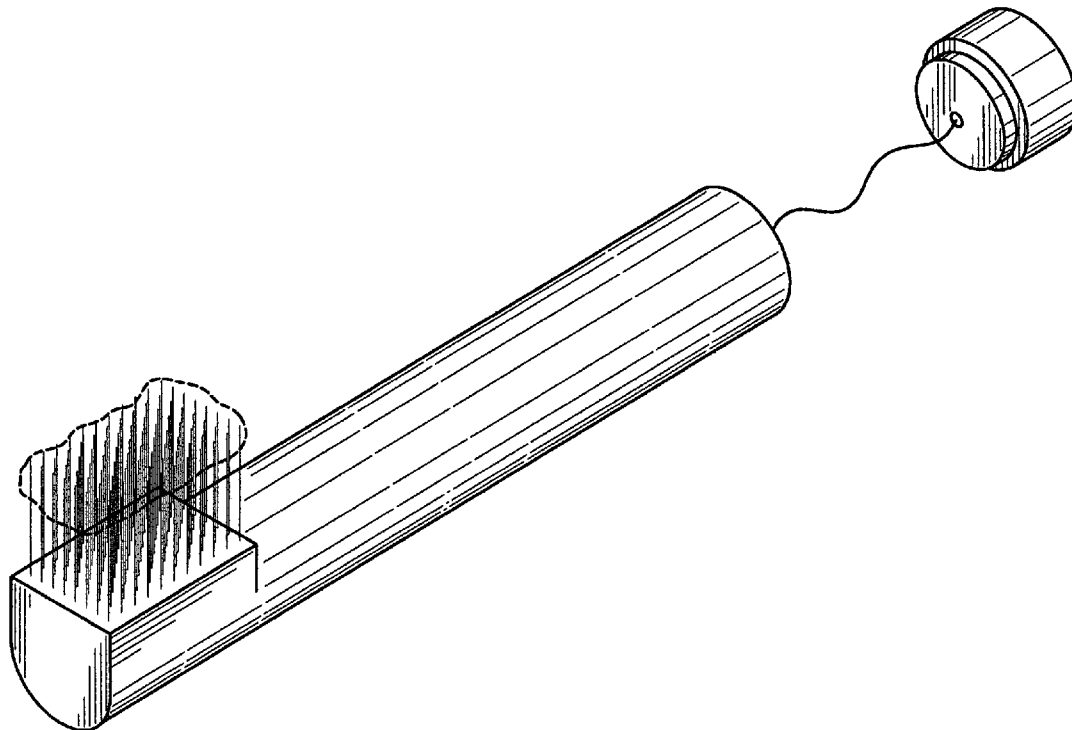
The broken line showing of a dentifrice in FIG. 1 illustrates environmental structure that forms no part of the claimed design. The floss feature in FIGS. 2-4 is shown in an alternate position relative to FIG. 1.

(56) **References Cited**

U.S. PATENT DOCUMENTS

1,168,965	A *	1/1916	Rosenblum	401/276
1,859,402	A	5/1932	Maher		
3,738,762	A *	6/1973	Moore et al.	401/186
3,890,986	A *	6/1975	Gerlich	132/309
4,039,261	A *	8/1977	Evans	401/132
4,865,481	A	9/1989	Scales		
4,957,125	A	9/1990	Yaneza		
5,046,212	A	9/1991	O'Conke		
D322,172	S	12/1991	Cheng		
D347,944	S	6/1994	Honora		
5,921,251	A	7/1999	Joshi		
6,397,859	B1 *	6/2002	Byrd	132/308
6,463,937	B1 *	10/2002	Cloutier et al.	132/309
2003/0188761	A1 *	10/2003	Garcia et al.	132/309

1 Claim, 3 Drawing Sheets



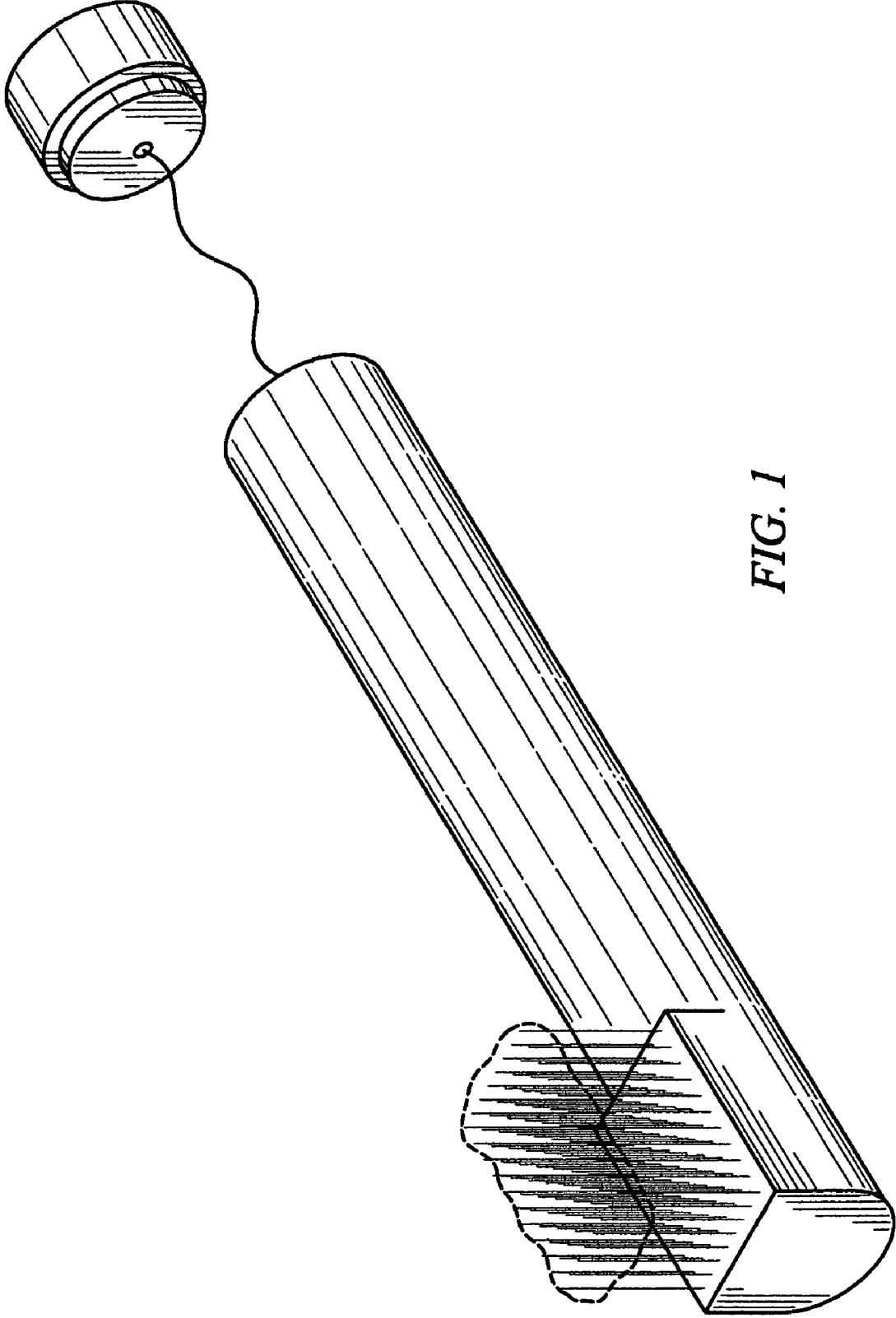


FIG. 1



FIG. 3

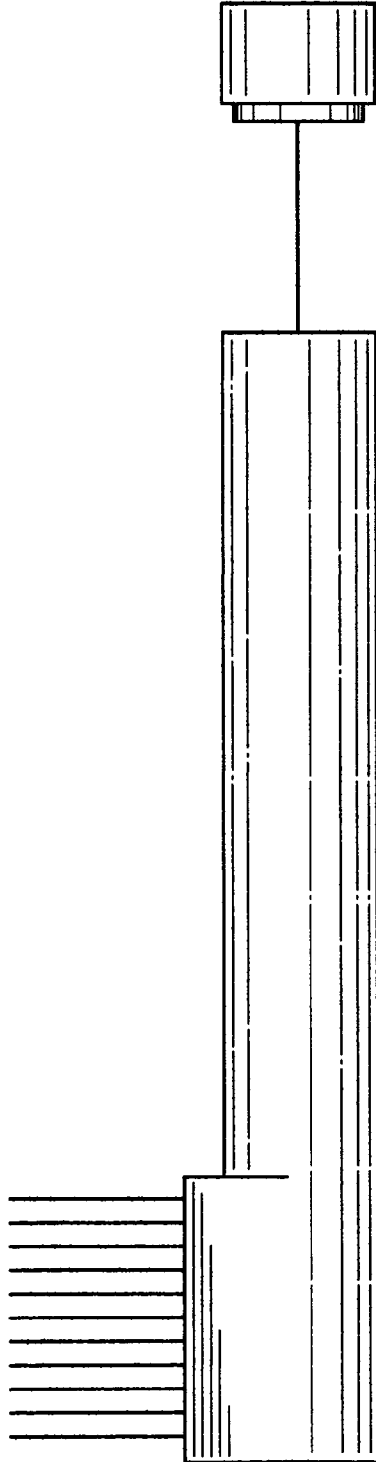


FIG. 2

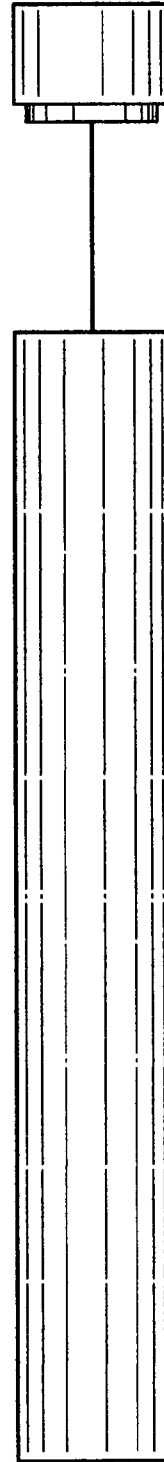


FIG. 4

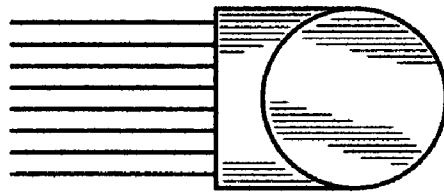


FIG. 6

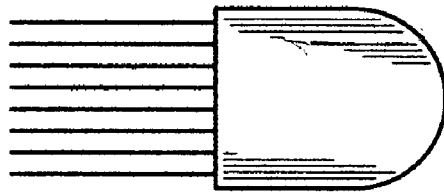


FIG. 5