



US00D768899S

(12) **United States Design Patent** (10) **Patent No.:** **US D768,899 S**
Gebhard et al. (45) **Date of Patent:** **** Oct. 11, 2016**

(54) **SEARCHLIGHT**
(71) Applicant: **Golight, Inc.**, Culbertson, NE (US)
(72) Inventors: **Albert W. Gebhard**, Denver, CO (US);
Colton D. Hosick, Culbertson, NE (US)
(73) Assignee: **Golight, Inc.**, Culbertson, NE (US)
(**) Term: **15 Years**
(21) Appl. No.: **29/542,914**
(22) Filed: **Oct. 19, 2015**

5,673,989 A 10/1997 Gohl et al.
6,079,852 A 6/2000 Kamaya et al.
D515,228 S 2/2006 Gebhard et al.
D528,678 S 9/2006 Yen
D566,318 S 4/2008 Quiogue et al.
D573,286 S 7/2008 Zettl
D582,084 S 12/2008 Gebhard et al.
D629,550 S * 12/2010 Sandell D26/63
D646,822 S * 10/2011 Johannessen et al. D26/63
D666,346 S * 8/2012 Gebhard et al. D26/63
D693,509 S * 11/2013 Hosick et al. D26/63
D703,851 S * 4/2014 Gebhard et al. D26/63
D732,219 S * 6/2015 Adams D26/63
D734,521 S * 7/2015 Gebhard et al. D26/63
D734,887 S * 7/2015 Gebhard et al. D26/63
D745,990 S 12/2015 Gebhard et al.

* cited by examiner

Related U.S. Application Data

(62) Division of application No. 29/490,785, filed on May 13, 2014, now Pat. No. Des. 745,990.
(51) **LOC (10) Cl.** **26-03**
(52) **U.S. Cl.**
USPC **D26/63**
(58) **Field of Classification Search**
USPC D26/1, 24, 61, 63, 65, 85, 92
CPC F21V 21/14; F21V 15/01; F21V 14/02;
F21V 21/30; F21V 21/00; F21V 14/00;
F21S 8/00; F21S 8/003; F21S 8/043; F21Y
2105/001
See application file for complete search history.

Primary Examiner — Brian N Vinson
(74) *Attorney, Agent, or Firm* — Polson Intellectual Property Law, PC; Margaret Polson

(57) **CLAIM**

The ornamental design of a searchlight, as shown and described.

DESCRIPTION

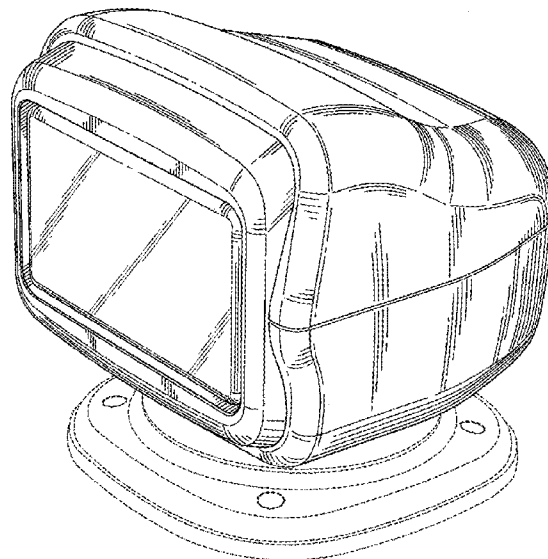
FIG. 1 is a front perspective view of our new design for a searchlight.
FIG. 2 is a front elevation view of in FIG. 1.
FIG. 3 is a back elevation view of FIG. 1.
FIG. 4 is a side elevation view, which are mirror images thereof, of the right and left sides of FIG. 1.
FIG. 5 is a top plan view of FIG. 1; and,
FIG. 6 is a bottom plan view of FIG. 1.
The features shown in broken lines in the drawing depict environmental subject matter only and form no part of the claimed design or an unclaimed border which defines the bounds of the claimed design.

(56) **References Cited**

U.S. PATENT DOCUMENTS

D239,315 S 3/1976 Satoh et al.
D320,462 S 10/1991 Williams et al.
D322,136 S 12/1991 Shima et al.
D327,953 S 7/1992 Jordan
D347,704 S 6/1994 Thompson et al.
D351,243 S 10/1994 Williams et al.
5,490,046 A 2/1996 Gohl et al.

1 Claim, 6 Drawing Sheets



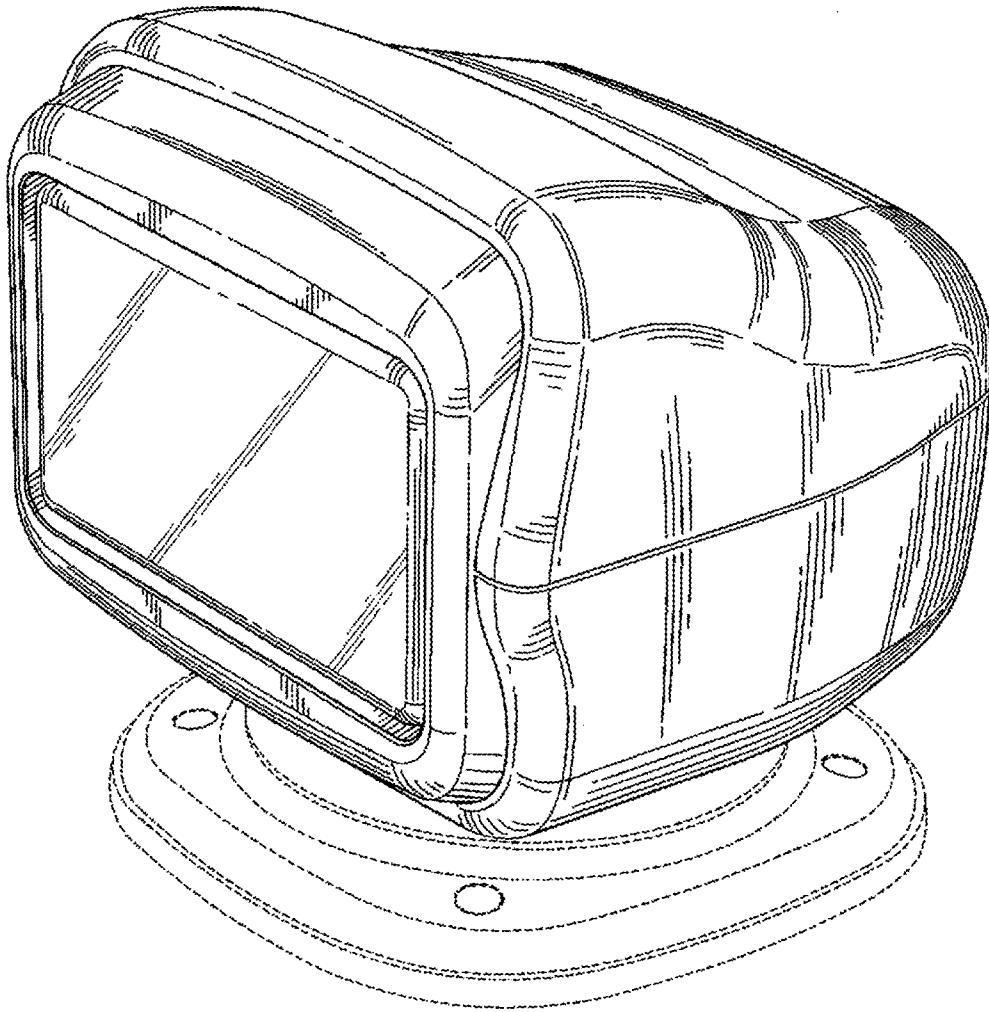


FIG.1

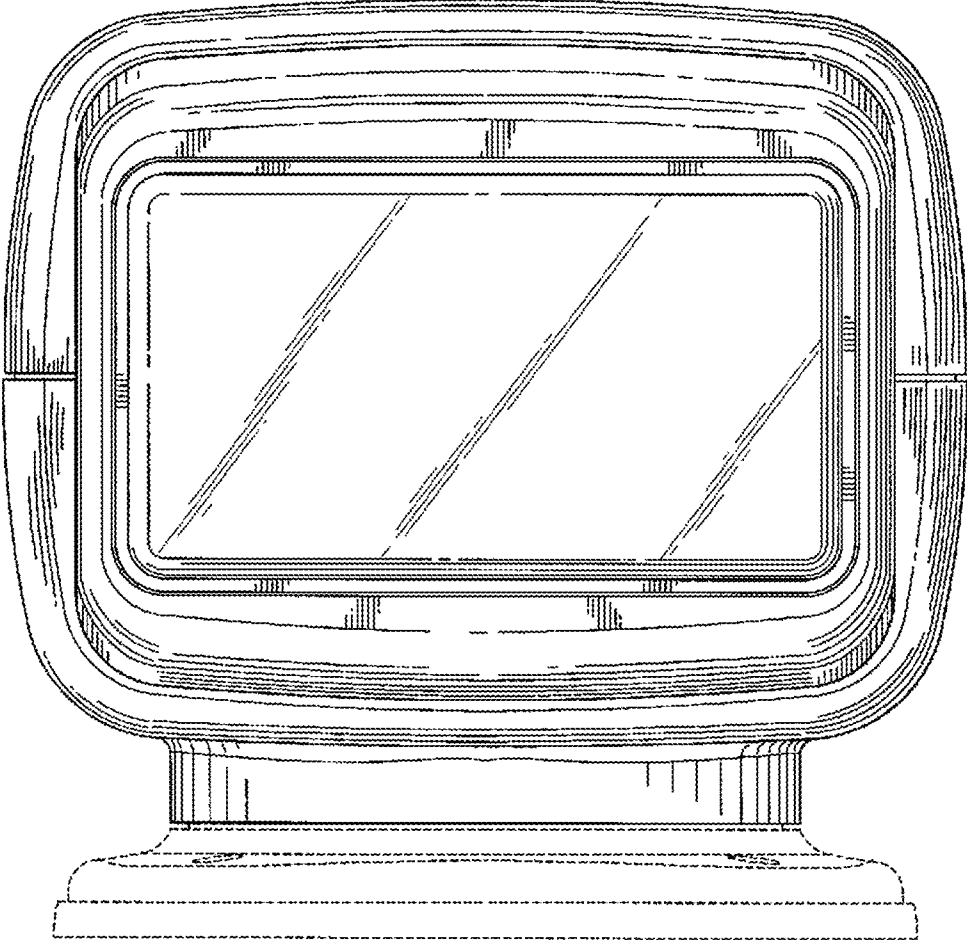


FIG.2

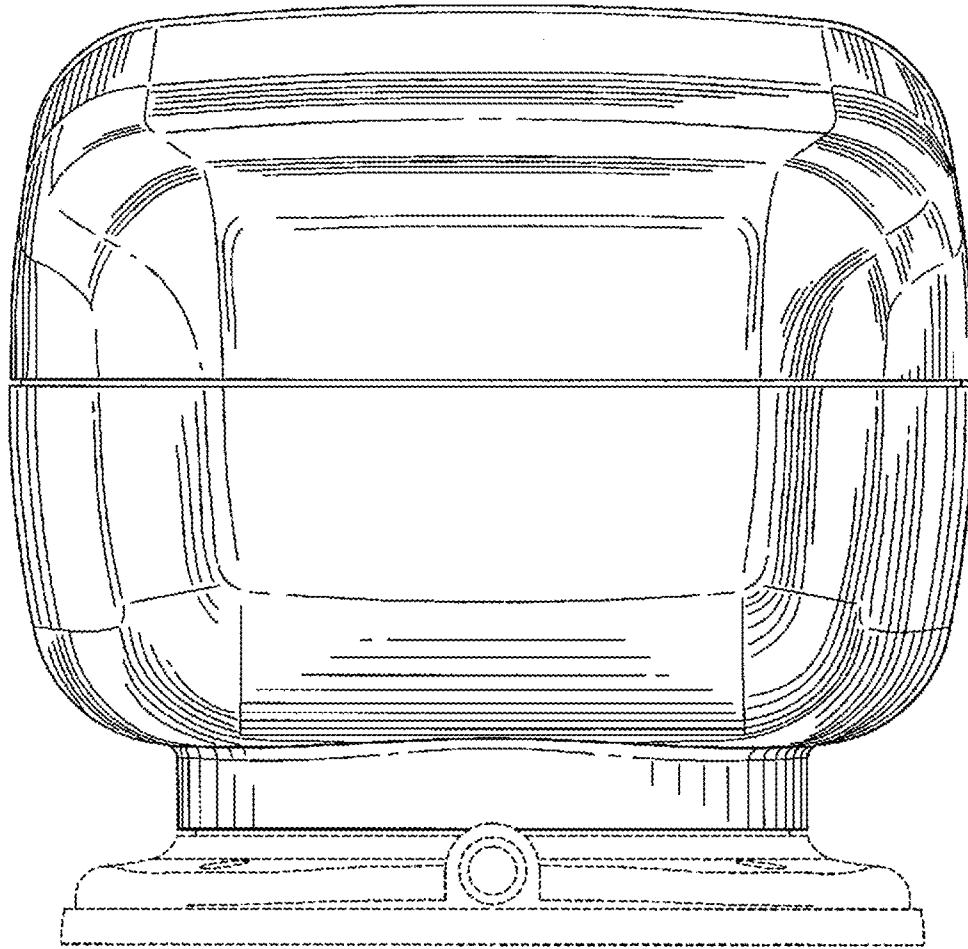


FIG.3

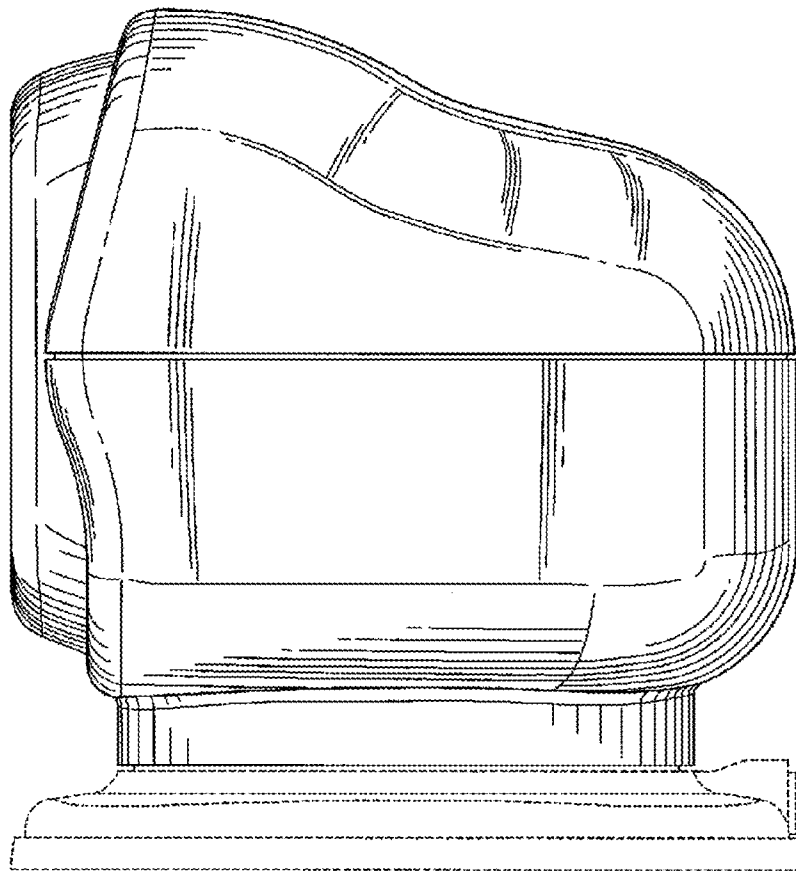


FIG.4

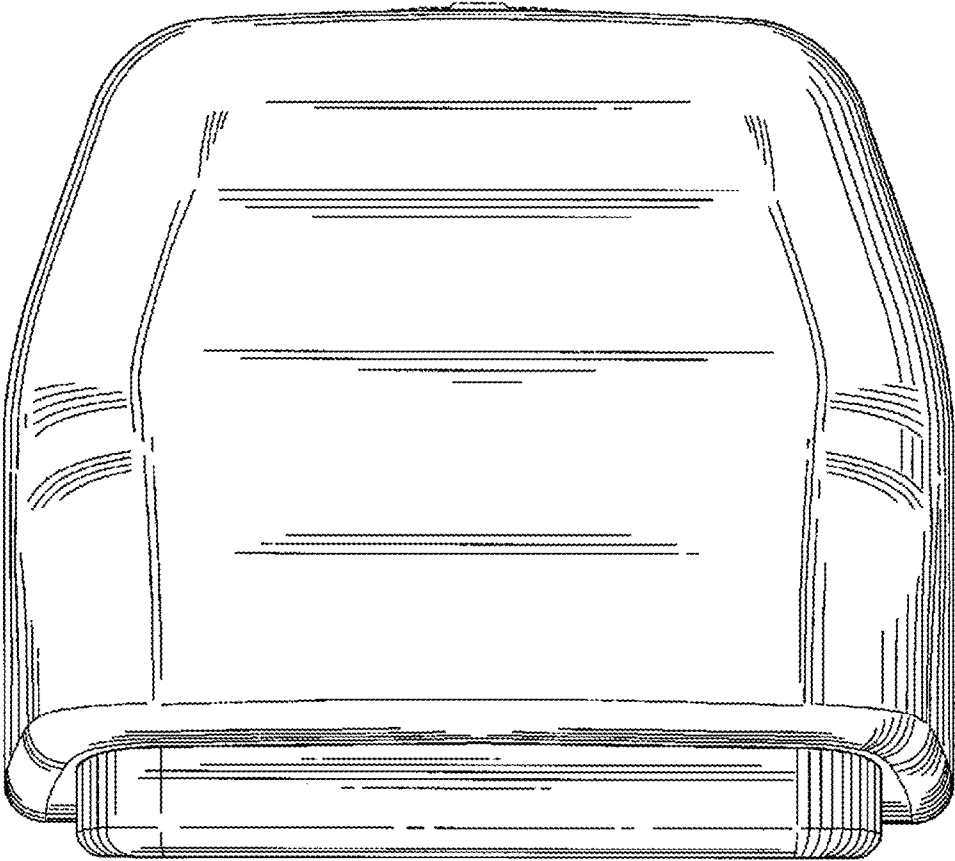


FIG.5

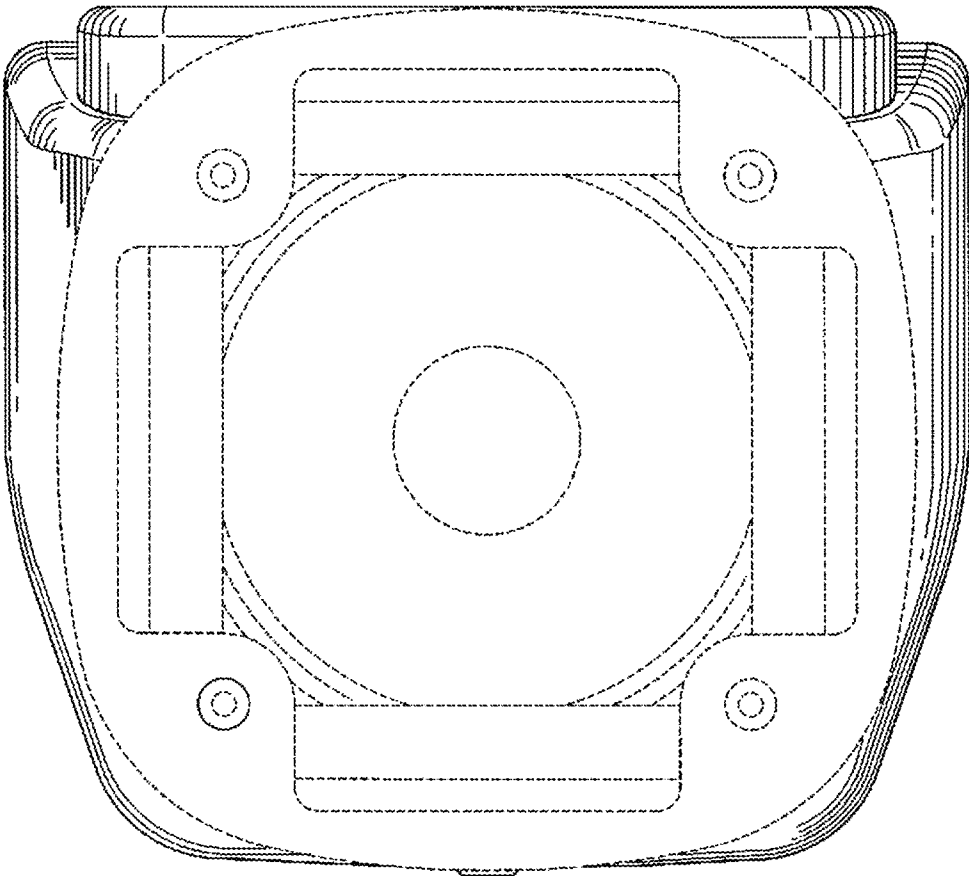


FIG.6