

(12) 按照专利合作条约所公布的国际申请

(19) 世界知识产权组织
国际局

(43) 国际公布日
2012年9月27日 (27.09.2012)



(10) 国际公布号
WO 2012/126408 A3

- (51) 国际专利分类号:
E05B 67/38 (2006.01)
- (21) 国际申请号: PCT/CN2012/074653
- (22) 国际申请日: 2012年4月25日 (25.04.2012)
- (25) 申请语言: 中文
- (26) 公布语言: 中文
- (71) 申请人 (对除美国外的所有指定国): **华为技术有限公司 (HUAWEI TECHNOLOGIES CO., LTD.)** [CN/CN]; 中国广东省深圳市龙岗区坂田华为总部办公楼, Guangdong 518129 (CN)。
- (72) 发明人: 及
- (75) 发明人/申请人 (仅对美国): **李建锋 (LI, Jianfeng)** [CN/CN]; 中国广东省深圳市龙岗区坂田华为总部办公楼, Guangdong 518129 (CN)。
- (74) 代理人: **深圳市深佳知识产权代理事务所 (普通合伙) (SHENPAT INTELLECTUAL PROPERTY AGENCY)**; 中国广东省深圳市国贸大厦 15 楼西座 1521 室, Guangdong 518014 (CN)。
- (81) 指定国 (除另有指明, 要求每一种可提供的国家保护): AE, AG, AL, AM, AO, AT, AU, AZ, BA, BB, BG, BH, BR, BW, BY, BZ, CA, CH, CL, CN, CO, CR, CU, CZ, DE, DK, DM, DO, DZ, EC, EE, EG, ES, FI, GB, GD, GE, GH, GM, GT, HN, HR, HU, ID, IL, IN, IS, JP, KE, KG, KM, KN, KP, KR, KZ, LA, LC, LK, LR, LS, LT, LU, LY, MA, MD, ME, MG, MK, MN, MW, MX, MY, MZ, NA, NG, NI, NO, NZ, OM, PE, PG, PH, PL, PT, QA, RO, RS, RU, RW, SC, SD, SE, SG, SK, SL, SM, ST, SV, SY, TH, TJ, TM, TN, TR, TT, TZ, UA, UG, US, UZ, VC, VN, ZA, ZM, ZW。
- (84) 指定国 (除另有指明, 要求每一种可提供的地区保护): ARIPO (BW, GH, GM, KE, LR, LS, MW, MZ, NA, RW, SD, SL, SZ, TZ, UG, ZM, ZW), 欧亚 (AM, AZ, BY, KG, KZ, MD, RU, TJ, TM), 欧洲 (AL, AT, BE, BG, CH, CY, CZ, DE, DK, EE, ES, FI, FR, GB, GR, HR, HU, IE, IS, IT, LT, LU, LV, MC, MK, MT, NL, NO, PL, PT, RO, RS, SE, SI, SK, SM, TR), OAPI (BF, BJ, CF, CG, CI, CM, GA, GN, GQ, GW, ML, MR, NE, SN, TD, TG)。
- 本国际公布:
— 包括国际检索报告(条约第 21 条(3))。

[见续页]

(54) Title: PADLOCK PROTECTION DEVICE

(54) 发明名称: 一种挂锁保护装置

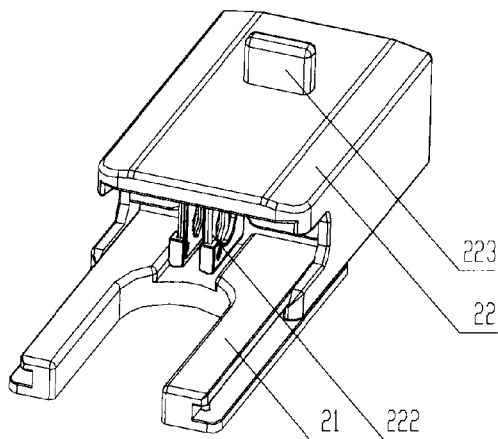


图 6 / Fig.6

(57) Abstract: A padlock protection device, applied in a door having a staple (40). The padlock protection device comprises: a base (21) and a sliding cover (22) fixed on a door body (10), the sliding cover and the base being slidably connected; when the sliding cover covers the base, a shell having an opening is formed, and the staple is disposed inside of the shell; the sliding cover is provided with a locking component (222) facing the base and having a latch hole (2221), and when the sliding cover covers the base, the padlock (30) can enter through the opening and lock the locking component and the staple by means of the latch hole of the locking component and the latch hole of the staple. The padlock protection device forms a shell structure by means of coordination of the sliding cover and the base, thereby completely and well protecting the relatively weak latch and staple. As the latch or part of the latch and the staple can be disposed inside the shell, tools such as steel crowbars and hydraulic pliers cannot be easily inserted into the sliding cover to damage the padlock from any angles; additionally, the sliding cover and the base are in slidably coordinated, therefore no breakthrough hole exists on the sliding cover and the base for said tools to damage the padlock.

(57) 摘要:

[见续页]

WO 2012/126408 A3



-
- 在修改权利要求的期限届满之前进行，在收到该 (88) 国际检索报告公布日期: 2013 年 4 月 4 日
修改后将重新公布(细则 48.2(h))。
- 根据申请人的请求，在条约第 21 条(2)(a)所规定的期限届满之前进行。

一种挂锁保护装置，应用于具有挂鼻（40）的门，挂锁保护装置包括：固定于门体（10）上的底座（21）和滑盖（22），滑盖和底座滑动连接，当滑盖卡盖住底座后，形成一个具有开口端的壳体，并将挂鼻容置于壳体内；滑盖设有朝向底座且具有锁闩孔（2221）的锁定部件（222），当滑盖卡盖住底座后，挂锁（30）能够从开口端进入并通过锁定部件的锁闩孔以及挂鼻的锁闩孔实现锁定部件以及挂鼻的锁定。该挂锁保护装置采取滑盖和底座配合的方式，形成壳状结构，能够较好地较为脆弱的锁闩和挂鼻进行完全保护，锁闩或部分锁闩以及挂鼻可以置于壳体内，则从任何角度，钢钎撬棍、液压剪钳等工具均不易于进入滑盖内进行破坏；而且，滑盖和底座滑动配合，则滑盖和底座本身无供上述工具破坏的突破口。

INTERNATIONAL SEARCH REPORT

International application No.

PCT/CN2012/074653

A. CLASSIFICATION OF SUBJECT MATTER

E05B 67/38 (2006.01) i

According to International Patent Classification (IPC) or to both national classification and IPC

B. FIELDS SEARCHED

Minimum documentation searched (classification system followed by classification symbols)

IPC: E05B 67/-, E05B 17/-, E05B 13/-, E05C 5/-

Documentation searched other than minimum documentation to the extent that such documents are included in the fields searched

Electronic data base consulted during the international search (name of data base and, where practicable, search terms used)

WPI, EPODOC, CNABS, CPRSABS, CHINA JOURNAL FULL-TEXT DATABASE: LI, Jianfeng; HUAWEI TECHNOLOGIES CO., LTD.; protect+, anti-theft, lock+, padlock+, hole, cover+, shell+, case, slid+, rail+, track+

C. DOCUMENTS CONSIDERED TO BE RELEVANT

Category*	Citation of document, with indication, where appropriate, of the relevant passages	Relevant to claim No.
X	CN 2085834 U (WANG, Fuyi et al.), 02 October 1991 (02.10.1991), description, page 2, line 1 to the bottom line, and figures 1-4	1-2, 6, 10-14
A	CN 85200679 U (WANG, Haiping), 21 May 1986 (21.05.1986), the whole document	1-14
A	CN 1991116 A (WANG, Naihua), 04 July 2007 (04.07.2007), the whole document	1-14
A	US 3953062 A (MASTON, J.F.), 27 April 1976 (27.04.1976), the whole document	1-14
A	GB 2449287 A (BRADBURY SECURITY GRILLES LIMITED), 19 November 2008 (19.11.2008), the whole document	1-14

Further documents are listed in the continuation of Box C.

See patent family annex.

<p>* Special categories of cited documents:</p> <p>“A” document defining the general state of the art which is not considered to be of particular relevance</p> <p>“E” earlier application or patent but published on or after the international filing date</p> <p>“L” document which may throw doubts on priority claim(s) or which is cited to establish the publication date of another citation or other special reason (as specified)</p> <p>“O” document referring to an oral disclosure, use, exhibition or other means</p> <p>“P” document published prior to the international filing date but later than the priority date claimed</p>	<p>“T” later document published after the international filing date or priority date and not in conflict with the application but cited to understand the principle or theory underlying the invention</p> <p>“X” document of particular relevance; the claimed invention cannot be considered novel or cannot be considered to involve an inventive step when the document is taken alone</p> <p>“Y” document of particular relevance; the claimed invention cannot be considered to involve an inventive step when the document is combined with one or more other such documents, such combination being obvious to a person skilled in the art</p> <p>“&” document member of the same patent family</p>
---	---

Date of the actual completion of the international search
10 January 2013 (10.01.2013)

Date of mailing of the international search report
07 February 2013 (07.02.2013)

Name and mailing address of the ISA/CN:
State Intellectual Property Office of the P. R. China
No. 6, Xitucheng Road, Jimenqiao
Haidian District, Beijing 100088, China
Facsimile No.: (86-10) 62019451

Authorized officer
JIAN, Bin
Telephone No.: (86-10) **62413089**

INTERNATIONAL SEARCH REPORT
Information on patent family members

International application No.
PCT/CN2012/074653

Patent Documents referred in the Report	Publication Date	Patent Family	Publication Date
CN 2085834 U	02.10.1991	None	
CN 85200679 U	21.05.1986	None	
CN 1991116 A	04.07.2007	None	
US 3953062 A	27.04.1976	None	
GB 2449287 A	19.11.2008	None	

国际检索报告

国际申请号
PCT/CN2012/074653

A. 主题的分类		
E05B67/38(2006.01)i		
按照国际专利分类(IPC)或者同时按照国家分类和 IPC 两种分类		
B. 检索领域		
检索的最低限度文献(标明分类系统和分类号)		
IPC:E05B67/-,E05B17/-,E05B13/-,E05C5/-		
包含在检索领域中的除最低限度文献以外的检索文献		
在国际检索时查阅的电子数据库(数据库的名称, 和使用的检索词(如使用))		
WPI,EPODOC,CNABS,CPRSABS,中国期刊网全文数据库 李建锋, 华为技术有限公司, 保护, 防盗, 锁, 挂锁, 孔, 盖, 壳体, 罩, 滑动, 轨道, protect+,anti-theft,lock+,padlock+,hole,cover+,shell+,case,slid+,rail+,track+		
C. 相关文件		
类 型*	引用文件, 必要时, 指明相关段落	相关的权利要求
X	CN2085834U (王福义等) 02.10 月 1991 (02.10.1991) 说明书第 2 页 第 1 行-最后 1 行、图 1-4	1-2、6、10-14
A	CN85200679U (王海平) 21.5 月 1986 (21.05.1986) 全文	1-14
A	CN1991116A (王乃华) 04.7 月 2007 (04.07.2007) 全文	1-14
A	US3953062A (MASTON, John F.) 27.4 月 1976 (27.04.1976) 全文	1-14
A	GB2449287A (BRADBURY SECURITY GRILLES LIMITED) 19.11 月 2008 (19.11.2008) 全文	1-14
<input type="checkbox"/> 其余文件在 C 栏的续页中列出。 <input checked="" type="checkbox"/> 见同族专利附件。		
* 引用文件的具体类型:		“T” 在申请日或优先权日之后公布, 与申请不相抵触, 但为了理解发明之理论或原理的在后文件
“A” 认为不特别相关的表示了现有技术一般状态的文件		“X” 特别相关的文件, 单独考虑该文件, 认定要求保护的发明不是新颖的或不具有创造性
“E” 在国际申请日的当天或之后公布的在先申请或专利		“Y” 特别相关的文件, 当该文件与另一篇或者多篇该类文件结合并且这种结合对于本领域技术人员为显而易见时, 要求保护的发明不具有创造性
“L” 可能对优先权要求构成怀疑的文件, 或为确定另一篇引用文件的公布日而引用的或者因其他特殊理由而引用的文件(如具体说明的)		“&” 同族专利的文件
“O” 涉及口头公开、使用、展览或其他方式公开的文件		
“P” 公布日先于国际申请日但迟于所要求的优先权日的文件		
国际检索实际完成的日期 10.1 月 2013 (10.01.2013)	国际检索报告邮寄日期 07.2 月 2013 (07.02.2013)	
ISA/CN 的名称和邮寄地址: 中华人民共和国国家知识产权局 中国北京市海淀区蓟门桥西土城路 6 号 100088 传真号: (86-10)62019451	受权官员 简斌 电话号码: (86-10) 62413089	

国际检索报告
关于同族专利的信息

国际申请号
PCT/CN2012/074653

检索报告中引用的 专利文件	公布日期	同族专利	公布日期
CN2085834U	02.10.1991	无	
CN85200679U	21.05.1986	无	
CN1991116A	04.07.2007	无	
US3953062A	27.04.1976	无	
GB2449287A	19.11.2008	无	