

(12) INTERNATIONAL APPLICATION PUBLISHED UNDER THE PATENT COOPERATION TREATY (PCT)

(19) World Intellectual Property Organization
International Bureau



(43) International Publication Date
14 November 2002 (14.11.2002)

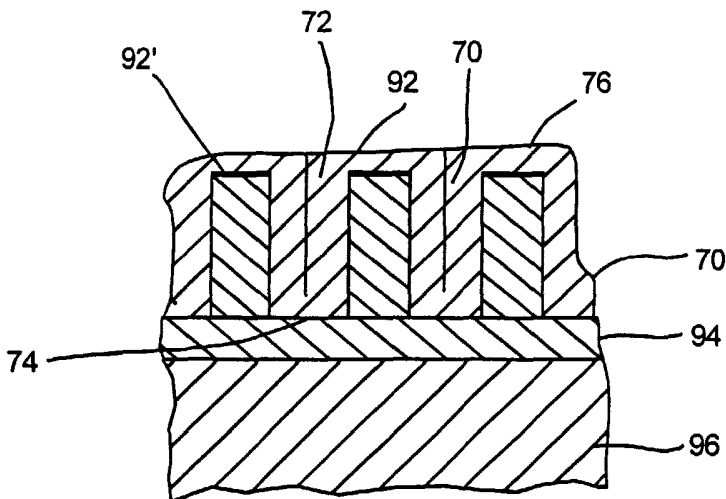
PCT

(10) International Publication Number
WO 02/091451 A3

- (51) International Patent Classification⁷: **H01L 21/316**
- (21) International Application Number: PCT/US02/14653
- (22) International Filing Date: 7 May 2002 (07.05.2002)
- (25) Filing Language: English
- (26) Publication Language: English
- (30) Priority Data:
09/851,201 7 May 2001 (07.05.2001) US
- (71) Applicant: **APPLIED MATERIALS, INC.** [US/US];
P.O. Box 450A, Santa Clara, CA 95052 (US).
- (72) Inventor: **YUAN, Zheng**; 42024 Benbow Drive, Fremont,
CA 94539 (US).
- (74) Agents: **BERNADICOU, Michael, A.** et al.; Blakely,
Sokoloff, Taylor & Zafman LLP, 12400 Wilshire Boule-
vard, 7th Floor, Los Angeles, CA 90025 (US).
- (81) Designated States (*national*): CN, JP, KR.
- (84) Designated States (*regional*): European patent (AT, BE,
CH, CY, DE, DK, ES, FI, FR, GB, GR, IE, IT, LU, MC,
NL, PT, SE, TR).
- Published:
— with international search report
- (88) Date of publication of the international search report:
3 July 2003

For two-letter codes and other abbreviations, refer to the "Guidance Notes on Codes and Abbreviations" appearing at the beginning of each regular issue of the PCT Gazette.

(54) Title: METHODS OF FORMING GAP FILL AND LAYERS FORMED THEREBY



(57) Abstract: A method of forming a fill layer over a layer in a semiconductor stack having gaps of high aspect ratio topography, and products produced thereby.



WO 02/091451 A3

INTERNATIONAL SEARCH REPORT

International Application No

PC I/US 02/14653

A. CLASSIFICATION OF SUBJECT MATTER
IPC 7 H01L21/316

According to International Patent Classification (IPC) or to both national classification and IPC

B. FIELDS SEARCHED

Minimum documentation searched (classification system followed by classification symbols)
IPC 7 H01L C23C

Documentation searched other than minimum documentation to the extent that such documents are included in the fields searched

Electronic data base consulted during the international search (name of data base and, where practical, search terms used)

EPO-Internal, WPI Data, PAJ, INSPEC

C. DOCUMENTS CONSIDERED TO BE RELEVANT

Category °	Citation of document, with indication, where appropriate, of the relevant passages	Relevant to claim No.
X Y A	US 4 949 671 A (DAVIS CECIL J ET AL) 21 August 1990 (1990-08-21) column 53, line 3 - line 43 claims 8-14 ---	1, 2, 4, 5, 11 7, 9, 12 3, 6, 8-10
X Y	EP 1 063 692 A (APPLIED MATERIALS INC) 27 December 2000 (2000-12-27) the whole document ---	6, 8 7, 9, 12
A	US 5 763 018 A (SATO JUNICHI) 9 June 1998 (1998-06-09) cited in the application the whole document ---	1-12
	-/--	

Further documents are listed in the continuation of box C.

Patent family members are listed in annex.

° Special categories of cited documents :

- *A* document defining the general state of the art which is not considered to be of particular relevance
- *E* earlier document but published on or after the international filing date
- *L* document which may throw doubts on priority claim(s) or which is cited to establish the publication date of another citation or other special reason (as specified)
- *O* document referring to an oral disclosure, use, exhibition or other means
- *P* document published prior to the international filing date but later than the priority date claimed

- *T* later document published after the international filing date or priority date and not in conflict with the application but cited to understand the principle or theory underlying the invention
- *X* document of particular relevance; the claimed invention cannot be considered novel or cannot be considered to involve an inventive step when the document is taken alone
- *Y* document of particular relevance; the claimed invention cannot be considered to involve an inventive step when the document is combined with one or more other such documents, such combination being obvious to a person skilled in the art.
- *G* document member of the same patent family

Date of the actual completion of the international search

19 March 2003

Date of mailing of the international search report

26/03/2003

Name and mailing address of the ISA

European Patent Office, P.B. 5818 Patentlaan 2
NL - 2280 HV Rijswijk
Tel. (+31-70) 340-2040, Tx. 31 651 epo nl,
Fax: (+31-70) 340-3016

Authorized officer

Giordani, S

INTERNATIONAL SEARCH REPORT

International Application No

PCT/US 02/14653

C.(Continuation) DOCUMENTS CONSIDERED TO BE RELEVANT

Category °	Citation of document, with indication, where appropriate, of the relevant passages	Relevant to claim No.
A	US 6 194 304 B1 (SUZUKI EIJI ET AL) 27 February 2001 (2001-02-27) the whole document -----	1-12
A	US 6 030 460 A (SUKHAREV VALERIY K) 29 February 2000 (2000-02-29) the whole document -----	1-12

INTERNATIONAL SEARCH REPORT

Information on patent family members

International Application No

PCT/US 02/14653

Patent document cited in search report		Publication date	Patent family member(s)	Publication date
US 4949671	A	21-08-1990	US 4685999 A	11-08-1987
			JP 1186621 A	26-07-1989
			DE 3684093 D1	09-04-1992
			EP 0220901 A2	06-05-1987
			JP 2087992 C	02-09-1996
			JP 8004086 B	17-01-1996
			JP 62165332 A	21-07-1987
			US 4849068 A	18-07-1989

EP 1063692	A	27-12-2000	US 6413583 B1	02-07-2002
			EP 1063692 A1	27-12-2000
			JP 2001148382 A	29-05-2001
			TW 457630 B	01-10-2001

US 5763018	A	09-06-1998	JP 9008032 A	10-01-1997

US 6194304	B1	27-02-2001	JP 11074352 A	16-03-1999
			JP 11074351 A	16-03-1999
			JP 11074353 A	16-03-1999
			TW 401612 B	11-08-2000
			US 6137176 A	24-10-2000

US 6030460	A	29-02-2000	US 5710079 A	20-01-1998
			JP 10107028 A	24-04-1998
