



US00D748849S

(12) **United States Design Patent**  
**Stanley**

(10) **Patent No.:** **US D748,849 S**

(45) **Date of Patent:** **\*\* Feb. 2, 2016**

(54) **SEALED OPTICS AIR COOLED GROW LIGHT**

(71) Applicant: **IP Holdings, LLC**, Vancouver, WA (US)

(72) Inventor: **John Stanley**, Vancouver, WA (US)

(73) Assignee: **IP Holdings, LLC**, Vancouver, WA (US)

(\*\*) Term: **14 Years**

(21) Appl. No.: **29/493,634**

(22) Filed: **Jun. 11, 2014**

(51) **LOC (10) Cl.** ..... **26-99**

(52) **U.S. Cl.**  
USPC ..... **D26/118**

(58) **Field of Classification Search**

USPC ..... D26/25-26, 28, 51, 55-57, 59-64, 66,  
D26/72-91, 93, 113, 118-120, 122, 138,  
D26/140-142; 362/145-148, 150-153,  
362/153.1, 217.01, 217.02, 217.05-217.07,  
362/217.1, 217.15, 218, 223, 241, 249.02,  
362/296.07, 296.08, 294, 299, 311.02,  
362/341-345, 362, 373, 563, 580, 600, 608,  
362/609, 640, 641, 805; D11/142, 143,  
D11/144, 155

See application file for complete search history.

(56) **References Cited**

**U.S. PATENT DOCUMENTS**

D123,768	S	12/1940	Scribner	
3,272,978	A	9/1966	Jackson	
3,675,008	A *	7/1972	Hill	362/355
3,701,898	A *	10/1972	McNamara, Jr.	362/346
3,902,059	A *	8/1975	McNamara, Jr.	362/349
4,531,180	A	7/1985	Hernandez	
D300,877	S *	4/1989	Cyr	D26/118
4,933,821	A	6/1990	Anderson	
D311,597	S	10/1990	Poot	
D352,126	S *	11/1994	Ruud et al.	D26/67

D419,248	S *	1/2000	Lyons	D26/28
6,042,250	A *	3/2000	Stragnola	362/346
6,152,579	A	11/2000	Reed et al.	
D456,938	S	5/2002	Wardenburg	
D459,825	S	7/2002	Field	
D469,564	S	1/2003	Brok	
6,527,422	B1	3/2003	Hutchison	
6,595,662	B2	7/2003	Wardenburg	
D542,460	S	5/2007	Hargreaves	
D543,652	S	5/2007	Hargreaves	
D543,654	S	5/2007	Hargreaves	

(Continued)

**OTHER PUBLICATIONS**

Sunlight Supply 2014-15 Catalog, Issuu.com, published Jun. 19, 2014, online. Site visited: Jan. 27, 2015. Internet URL:<"http://issuu.com/sunlightsupply/docs/sunlightproductcatalog\_2014-15">.\*

*Primary Examiner* — Cynthia Ramirez

*Assistant Examiner* — Llorellys Martinez-Rivera

(74) *Attorney, Agent, or Firm* — J. Douglas Wells

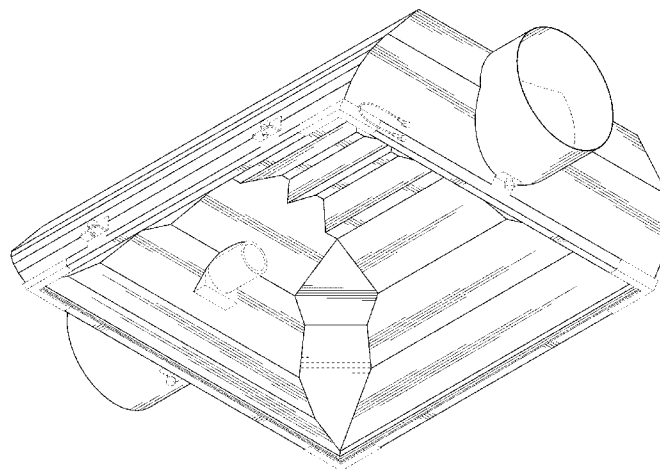
(57) **CLAIM**

The ornamental design for a sealed optics air cooled grow light, as shown and described.

**DESCRIPTION**

FIG. 1 is a bottom perspective view of a sealed optics air cooled grow light showing my new design; FIG. 2 is a top perspective view thereof; FIG. 3 is a left side view thereof; FIG. 4 is a right side view thereof; FIG. 5 is a front elevation view thereof; FIG. 6 is a rear elevation view thereof; FIG. 7 is a top plan view thereof; and, FIG. 8 is a bottom plan view thereof. The broken lines shown in the drawings illustrate portions of the sealed optics air cooled grow light which form no part of the claimed design.

**1 Claim, 6 Drawing Sheets**



(56)

References Cited

U.S. PATENT DOCUMENTS

D544,139 S	6/2007	Hargreaves		D634,469 S	3/2011	Hargreaves	
D544,626 S	6/2007	Hargreaves		D637,341 S *	5/2011	Wardenburg	D26/118
D544,983 S	6/2007	Hargreaves		D637,752 S	5/2011	Mekhtarian	
D544,984 S	6/2007	Hargreaves		7,972,044 B2	7/2011	Burkhauser	
D544,985 S	6/2007	Hargreaves		D650,515 S *	12/2011	Bradley et al.	D26/118
D544,987 S	6/2007	Hargreaves		8,209,912 B2	7/2012	Hargreaves et al.	
D544,994 S	6/2007	Hargreaves		D675,369 S	1/2013	Michaud	
D544,995 S	6/2007	Hargreaves		D678,599 S	3/2013	Boyer et al.	
D545,484 S	6/2007	Hargreaves		D683,064 S	5/2013	Tuck	
D545,485 S *	6/2007	Hargreaves	D26/118	D698,986 S *	2/2014	Reynolds	D26/118
D545,994 S	7/2007	Hargreaves		D698,987 S *	2/2014	Stanley	D26/118
7,524,090 B2	4/2009	Hargreaves		8,702,283 B2 *	4/2014	Bradley et al.	362/345
7,534,011 B2 *	5/2009	Townsley	362/294	D707,385 S *	6/2014	Wardenburg et al.	D26/118
D603,087 S	10/2009	Mo et al.		2008/0205030 A1	8/2008	Hargreaves	
7,641,367 B2	1/2010	Hargreaves et al.		2008/0205071 A1	8/2008	Townsley	
D614,801 S	4/2010	Collins et al.		2008/0278950 A1	11/2008	Pickard et al.	
D634,060 S	3/2011	Wardenburg		2009/0262540 A1	10/2009	Hargreaves et al.	
D634,468 S	3/2011	Hargreaves		2010/0214789 A1 *	8/2010	Hawkes et al.	362/346
				2010/0238661 A1 *	9/2010	Pfund et al.	362/341
				2013/0250567 A1 *	9/2013	Edmond et al.	362/346

\* cited by examiner

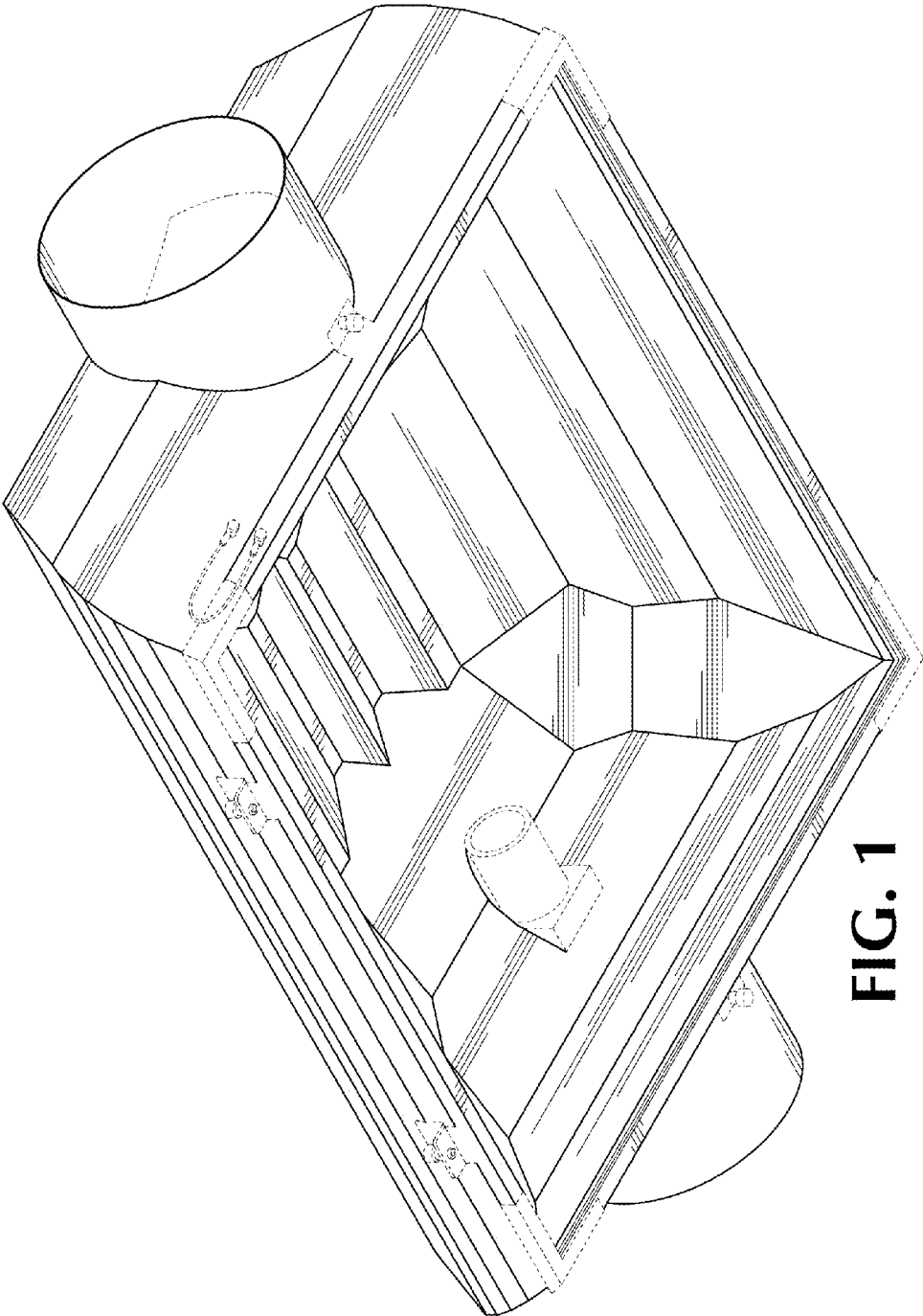


FIG. 1

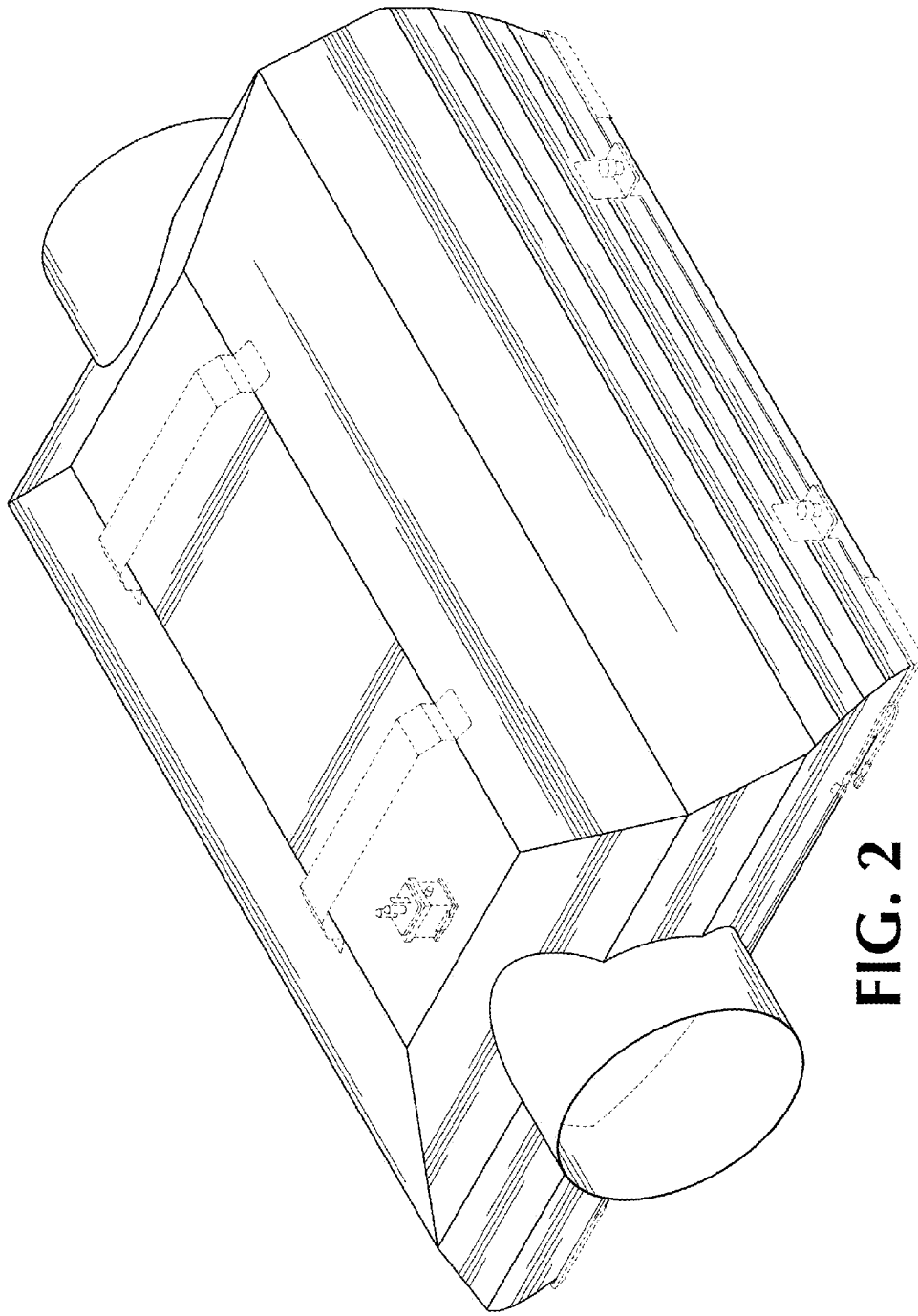


FIG. 2

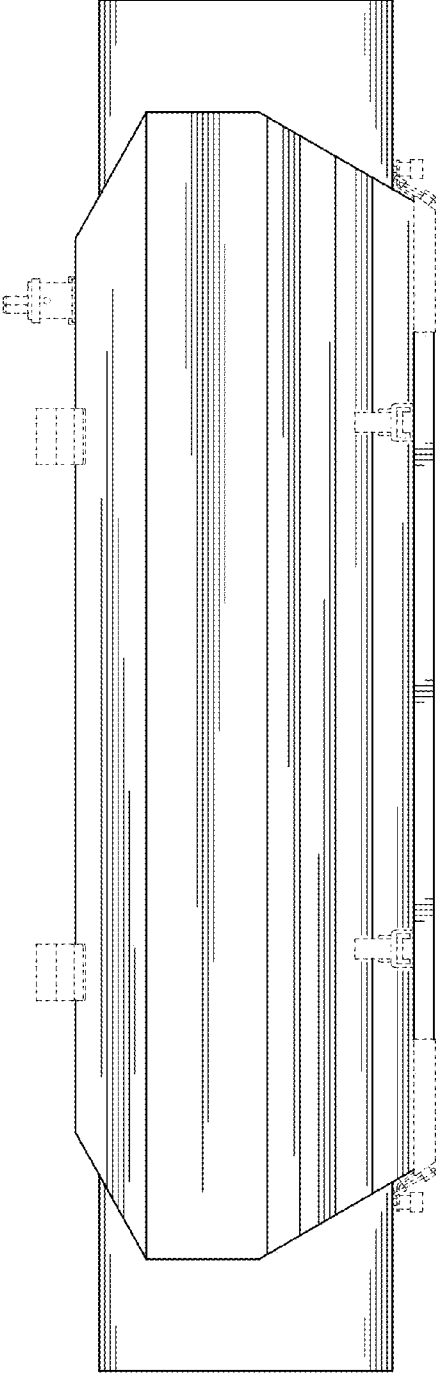


FIG. 3

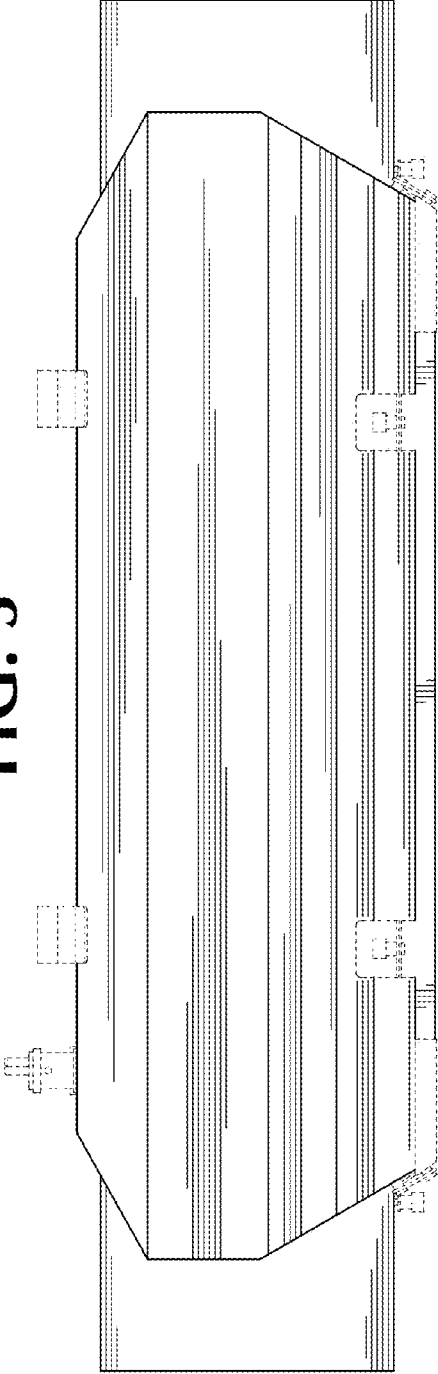
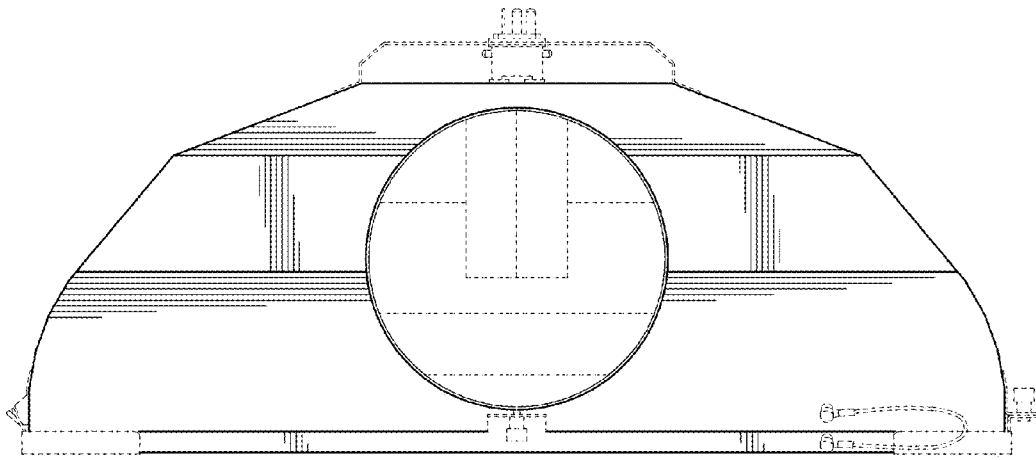
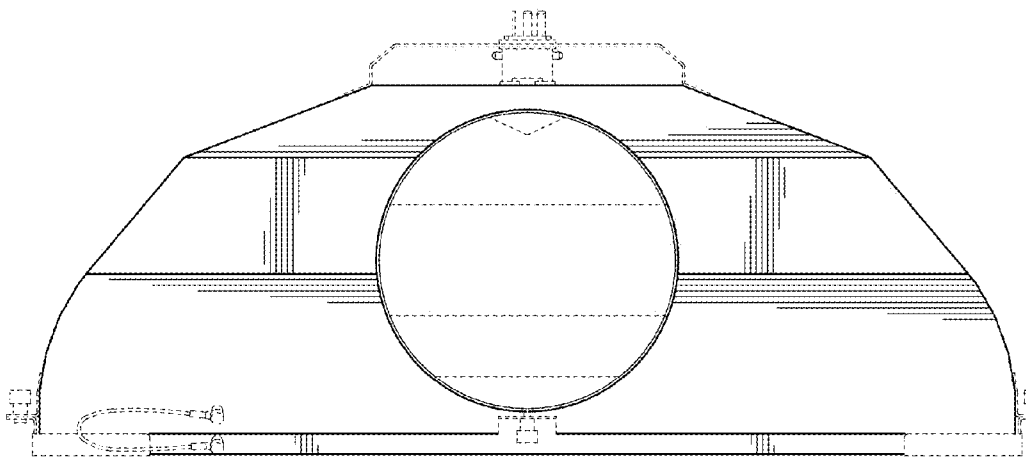


FIG. 4



**FIG. 5**



**FIG. 6**

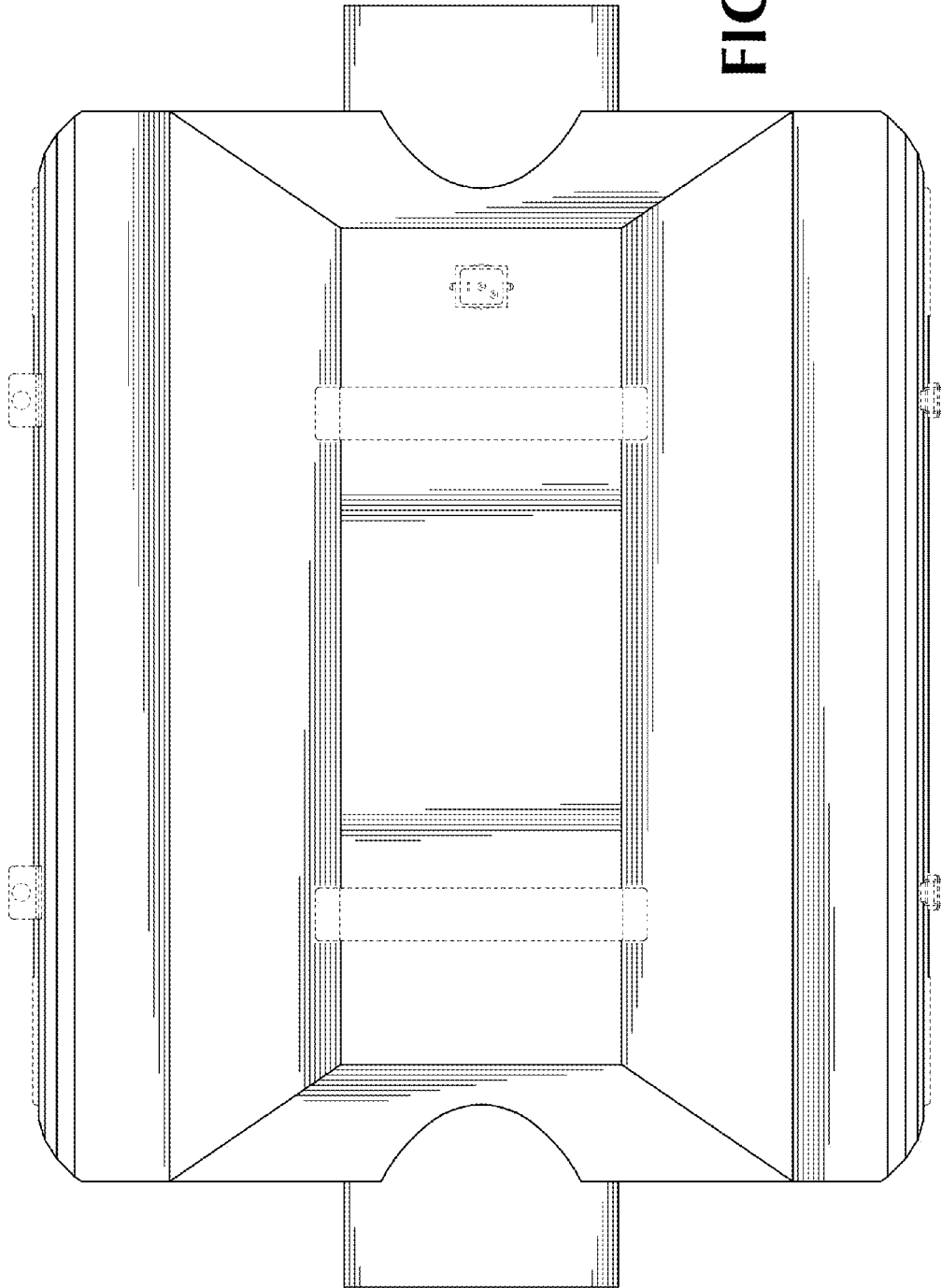


FIG. 7

FIG. 8

